



Illustrated Parts Manual

Model
340AJ

SN 0300200802 to Present

P/N
3121739

December 31, 2018 - Rev L

ANSI

CE



AS/NZS

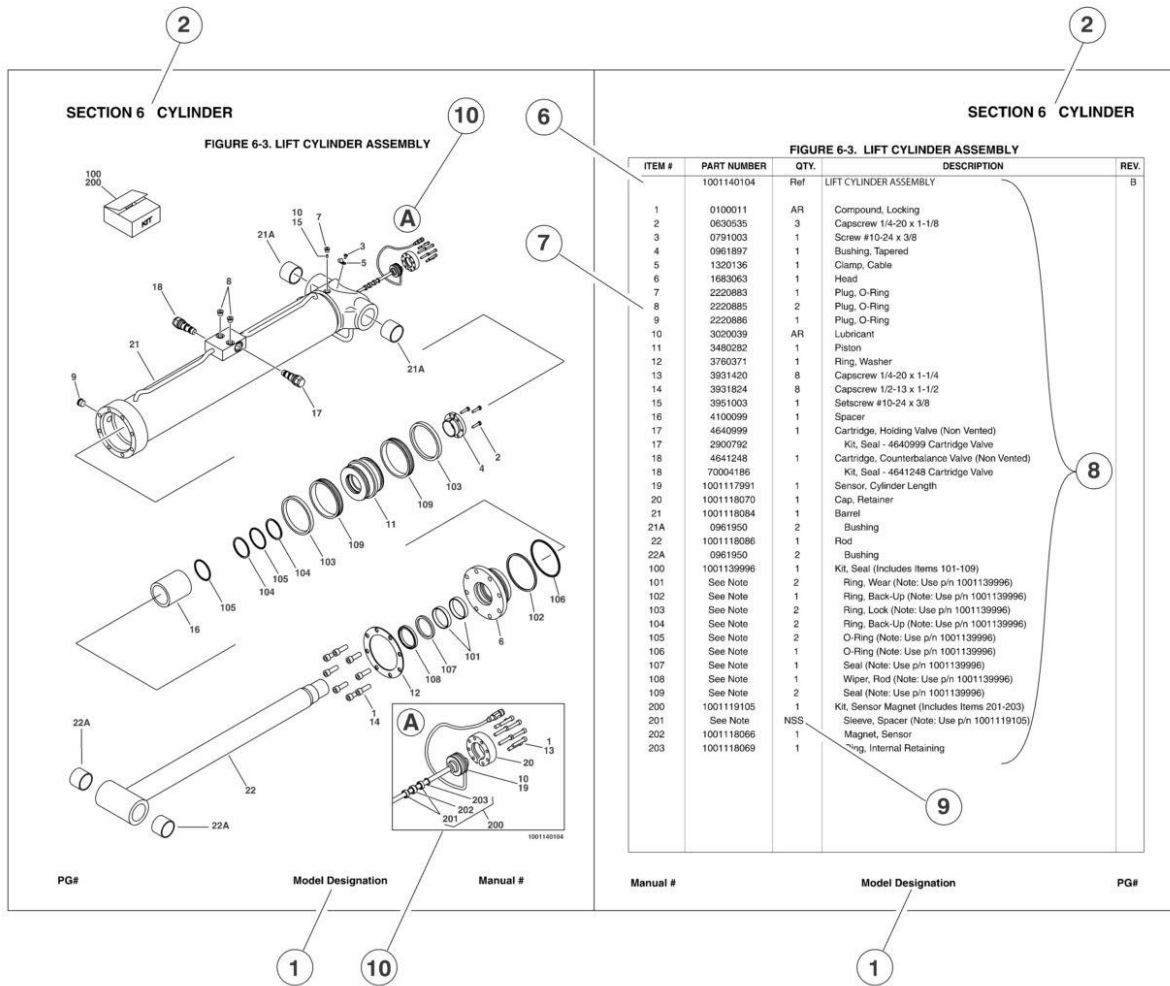


An Oshkosh Corporation Company

REVISION LOG

December 31, 2015 - A - Original Issue Of Manual (Edited to B/M 1001117947 Revision U)
May 27, 2016 - B - Revised Manual (Edited to B/M 1001117947 Revision AJ)
August 5, 2016 - C - Revised Manual (Edited to B/M 1001117947 Revision AS)
December 31, 2016 - D - Revised Manual (Edited to B/M 1001117947 Revision AS)
March 31, 2017 - E - Revised Manual (Edited to B/M 1001117947 Revision AU)
June 16, 2017 - F - Revised Manual (Edited to B/M 1001117947 Revision AU)
September 22, 2017 - G - Revised Manual (Edited to B/M 1001117947 Revision AW)
December 15, 2017 - H - Revised Manual (Edited to B/M 1001117947 Revision AX)
March 15, 2018 - I - Revised Manual (Edited to B/M 1001117947 Revision AX)
June 15, 2018 - J - Revised Manual (Edited to B/M 1001117947 Revision BC)
September 5, 2018 - K - Revised Manual (Edited to B/M 1001117947 Revision BD)
December 31, 2018 - L - Revised Manual (Edited to B/M 1001117947 Revision BD) (Revision 2)

GENERAL INFORMATION



1) MACHINE IDENTIFICATION

Machines are identified by model and in some cases a combination of models, serial number (SN) or regional standard (i.e. ANSI, CE, CSA). Components may also be identified by SN or manufacturer. Common components that may be identified by these characteristics are engines and hydraulic components.

2) PARTS MANUAL ORGANIZATION

Product information in this manual is organized under section titles. Frame, Cylinder, Hydraulic and Electrical are a few examples. Each section is organized by figure and page number. The information within the Figure is then organized by item number, part number, description and corresponding illustration(s).

3) TABLE OF CONTENTS

A table of contents is found toward the beginning of the manual. Figure number, description and page number are provided for quick reference to the page containing the related information.

4) RECOMMENDED SPARE PARTS

The Recommended Spare Parts, located near the end of the manual, reference most frequently used maintenance parts.

5) PART NUMBER INDEX

A numerical index listing all part numbers and the corresponding page number(s) appears at the back of the manual.

GENERAL INFORMATION

6) NON-SERVICED PARTS

In some instances, it is necessary to display non-serviced parts, assemblies or installations. In the case of assemblies and installations there will be a Ref in the Qty column. In case of parts that are not available for service within assemblies or components, there will be a NSS (Not Sold Separately) or NLA (No Longer Available) listed in the Qty. column of the manual.

7) PARTS LIST ITEM NUMBERS

Numbers shown in the item# column correspond to numbers used in the associated illustration (s). Item numbers which are missing from the sequence in the parts list are not used on that page

8) INDENTED PARTS DESCRIPTION

An indented part description is included in the item under which it is indented.

9) ABBREVIATION AND SYMBOLS

AC.....	.. Alternating Current	LCD Liquid Crystal Display
ADE.....	..Advanced Design Electronics	LED Light Emitting Diodes
ANSIAmerican National Standards Institute	LH.....	.. Left Hand
AR.....	..As Required	LSSLoad Sensing System
ASSY Assembly	M(m).....	.. Metric/Meter
AUX.....	..Auxiliary	MM (mm)Milimeter
AWG.....	..American WireGauge	mA.....	.. Milliamps
B/M.....	.. Bill of Material	NLA.....	..No Longer Available
CE.....	..European Conformity	NPT National Pipe Threads
CCWCounter Clockwise	NSSNot So Id Separately
cm.....	..Centimeter	OD.....	..Outside Diameter
CWClockwise	ORB.....	.. O-Ring Boss
CSA.....	..Canadian Standards Association	ORFS.....	.. O-Ring Face Seal
CYL.....	..Cylinder	OZ (oz).....	..Ounces
DIA.....	..Diameter	PGPage
DC.....	..Direct Current	P/N.....	..Part Number
EMS Emergency Stop	qt.....	..Quarts
ENGEngine	QTY.....	..Quantity
FT (ft).....	..Feet	REFReference
GA (Ga).....	..Gauge	REVRevision Level
HYD.....	..Hydraulic	RH.....	.. Right Hand
Hz.....	..Hertz	SAE.....	.. Society of Automotive Engineers
ID.....	..Inside Diameter	SN.....	..Serial Number
in.....	..inches	SPEC(S).....	..Specifications
ISOInternational Organization for Standards	T/T.....	..Turntable
JIC.....	..Joint Industry Council	UGMUniversal Ground Module
KGKilogram	V.....	..Volts
L.....	..Liter	W.....	..Watts
LB.....	..Pounds	#.....	..Number

10) ILLUSTRATION REFERENCE LETTERS

When necessary, illustrations may contain reference letters that are intended to track information (i. e. hoses, harnesses) from one point to another or to track visual enlargement of components to show details that may be located in another area on the illustration.

Note: Due to continuous product improvements, JLG Industries, Inc. reserves the right to make specification changes without prior notification. Contact JLG Industries, Inc. for updated information.

TABLE OF CONTENTS

SECTION 1 - FRAME.....	13
FIGURE 1-1. STEERING INSTALLATION	14
FIGURE 1-2. OSCILLATING AXLE INSTALLATION.....	16
FIGURE 1-3. DRIVE VALVES INSTALLATION.....	18
FIGURE 1-4. FLOW DIVIDER VALVE ASSEMBLY	20
FIGURE 1-5. DRIVE INSTALLATION.....	22
FIGURE 1-6. DRIVE MOTOR ASSEMBLY	24
FIGURE 1-7. DRIVE HUB/BRAKE ASSEMBLY	26
FIGURE 1-8. TIRE AND WHEEL INSTALLATION - 7X18 SOLID CUSHION	30
FIGURE 1-9. TIRE AND WHEEL INSTALLATION - 7X18 SOLID CUSHION NON-MARKING.....	32
FIGURE 1-10. TIRE AND WHEEL INSTALLATION - 9X20 FOAM-FILLED.....	34
FIGURE 1-11. TIRE AND WHEEL INSTALLATION - 9X20 FOAM-FILLED NON-MARKING	36
FIGURE 1-12. TIRE AND WHEEL INSTALLATION - 9X20 PNEUMATIC.....	38
FIGURE 1-13. TIRE AND WHEEL INSTALLATION - 9X20 PNEUMATIC WITH TIRE SEALANT	40
FIGURE 1-14. TIRE AND WHEEL INSTALLATION - 9X20 PNEUMATIC NON-MARKING	42
FIGURE 1-15. TIRE AND WHEEL INSTALLATION - 9X20 PNEUMATIC NON-MARKING WITH TIRE SEALANT	44
FIGURE 1-16. TIRE AND WHEEL INSTALLATION - 33 X 12LL500 TURF/SAND PNEUMATIC	46
FIGURE 1-17. TIRE AND WHEEL INSTALLATION - 33 X 12LL500 TURF/SAND FOAM FILLED	48
FIGURE 1-18. FRAME SHIELDS INSTALLATION.....	50
SECTION 2 - TURNTABLE	53
FIGURE 2-1. CONTROL VALVE AND CHARGE FILTER INSTALLATION - TURNTABLE	54
FIGURE 2-2. MAIN CONTROL VALVE ASSEMBLY.....	56
FIGURE 2-3. SWING DRIVE INSTALLATION (DOHI)	58
FIGURE 2-4. SWING DRIVE INSTALLATION (JING WEI)	60
FIGURE 2-5. SWING MOTOR ASSEMBLY	62
FIGURE 2-6. SWING BEARING ASSEMBLY	64
FIGURE 2-7. TANK INSTALLATION (DIESEL MACHINES)	66
FIGURE 2-8. TANK INSTALLATION (GAS MACHINES)	68
FIGURE 2-9. HYDRAULIC TANK ASSEMBLY.....	70
FIGURE 2-10. FUEL TANK ASSEMBLY (DIESEL MACHINES).....	72
FIGURE 2-11. FUEL TANK ASSEMBLY (GAS MACHINES) (SN 0300200802 through 0300228556)	74
FIGURE 2-12. FUEL TANK ASSEMBLY (GAS MACHINES) (SN 0300228557 to Present).....	76
FIGURE 2-13. KIT, LOCKABLE FUEL CAP (DIESEL MACHINES ONLY) (OPTIONAL)	78
FIGURE 2-14. LP TANK ASSEMBLY (GAS MACHINES ONLY)	80
FIGURE 2-15. ELECTRICAL COMPONENTS INSTALLATION (ALL SPECS EXCEPT CE).....	82
FIGURE 2-16. ELECTRICAL COMPONENTS INSTALLATION (CE SPEC).....	84
FIGURE 2-17. BATTERY INSTALLATION.....	86
FIGURE 2-18. STROBE LIGHT INSTALLATION (AMBER) (OPTIONAL).....	88
FIGURE 2-19. STROBE LIGHT INSTALLATION (BLUE) (OPTIONAL) (SN 0300200802 through 0300217809)	90
FIGURE 2-20. STROBE LIGHT INSTALLATION (BLUE) (OPTIONAL) (SN 0300217810 through 0300257078)	92
FIGURE 2-21. STROBE LIGHT INSTALLATION (BLUE) (OPTIONAL) (SN 0300257079 to Present).....	94
FIGURE 2-22. STROBE LIGHT INSTALLATION (RED) (OPTIONAL) (SN 0300200802 through 0300218349)	96
FIGURE 2-23. STROBE LIGHT INSTALLATION (RED) (OPTIONAL) (SN 0300218350 through 0300257078).....	98
FIGURE 2-24. STROBE LIGHT INSTALLATION (RED) (OPTIONAL) (SN 0300257079 to Present).....	100
FIGURE 2-25. TURNTABLE FLOODLIGHT INSTALLATION (OPTIONAL)	102
FIGURE 2-26. HEAD AND TAIL LIGHT INSTALLATION (OPTIONAL).....	104
FIGURE 2-27. GROUND CONTROL ASSEMBLY (ALL SPECS EXCEPT CE)	106
FIGURE 2-28. GROUND CONTROL ASSEMBLY (CE SPEC)	108
FIGURE 2-29. KEY SWITCH INSTALLATION	110
FIGURE 2-30. HOODS INSTALLATION	112
FIGURE 2-31. ENGINE SIDE HOOD ASSEMBLY	116
FIGURE 2-32. TANK SIDE HOOD ASSEMBLY	118
FIGURE 2-33. KUBOTA ENGINE HOOD COMPONENTS (WITHOUT ARCTIC PACKAGE).....	120
FIGURE 2-34. KUBOTA ENGINE WITH 4000W GENERATOR HOOD COMPONENTS (WITHOUT ARCTIC PACKAGE).....	122
FIGURE 2-35. KUBOTA ENGINE HOOD COMPONENTS (WITH ARCTIC PACKAGE)	124
FIGURE 2-36. KUBOTA ENGINE WITH 4000W GENERATOR HOOD COMPONENTS (WITH ARCTIC PACKAGE)	126
FIGURE 2-37. GM ENGINE HOOD COMPONENTS (WITHOUT ARCTIC PACKAGE).....	128
FIGURE 2-38. GM ENGINE HOOD COMPONENTS (WITH ARCTIC PACKAGE)	130
SECTION 3 - ENGINE	133
FIGURE 3-1. GM ENGINE INSTALLATION (WITHOUT ARCTIC PACKAGE).....	134
FIGURE 3-2. GM ENGINE INSTALLATION (WITH ARCTIC PACKAGE)	136

TABLE OF CONTENTS

FIGURE 3-3. GM ENGINE AND PUMP SUB-ASSEMBLY	138
FIGURE 3-4. GM ENGINE ASSEMBLY (SN 0300200802 through 0300201321).....	140
FIGURE 3-5. GM ENGINE ASSEMBLY (SN 0300201322 to Present)	144
FIGURE 3-6. KUBOTA ENGINE INSTALLATION (WITHOUT ARCTIC PACKAGE)	150
FIGURE 3-7. KUBOTA ENGINE INSTALLATION WITH 4000W GENERATOR (WITHOUT ARCTIC PACKAGE)	154
FIGURE 3-8. KUBOTA ENGINE INSTALLATION (WITH ARCTIC PACKAGE).....	158
FIGURE 3-9. KUBOTA ENGINE INSTALLATION WITH 4000W GENERATOR (WITH ARCTIC PACKAGE).....	162
FIGURE 3-10. KUBOTA ENGINE AND PUMP SUB-ASSEMBLY (Prior to SN 0300253888).....	166
FIGURE 3-11. KUBOTA ENGINE AND PUMP SUB-ASSEMBLY (SN 0300253888 to Present)	168
FIGURE 3-12. KUBOTA ENGINE WITH 4000W GENERATOR AND PUMP SUB-ASSEMBLY (Prior to SN 0300253888).....	170
FIGURE 3-13. KUBOTA ENGINE WITH 4000W GENERATOR AND PUMP SUB-ASSEMBLY (SN 0300253888 to Present)	172
FIGURE 3-14. KUBOTA ENGINE ASSEMBLY (Prior to SN 0300253888)	174
FIGURE 3-15. KUBOTA ENGINE ASSEMBLY (SN 0300253888 to Present)	178
FIGURE 3-16. KUBOTA ENGINE ASSEMBLY WITH 4000W GENERATOR (Prior to SN 0300253888)	182
FIGURE 3-17. KUBOTA ENGINE ASSEMBLY WITH 4000W GENERATOR (SN 0300253888 to Present)	186
FIGURE 3-18. KUBOTA ENGINE COMPONENTS (Prior to SN 0300253888).....	190
FIGURE 3-19. KUBOTA ENGINE COMPONENTS (SN 0300253888 to Present)	194
FIGURE 3-20. AXIAL PUMP ASSEMBLY	198
FIGURE 3-21. GEAR PUMP ASSEMBLY	202
FIGURE 3-22. 2800W GENERATOR INSTALLATION - GM ENGINE MACHINES 220V/50HZ GENERATOR (ANSI EXPORT AND CHINA SPECS)	204
FIGURE 3-23. 2800W GENERATOR INSTALLATION - KUBOTA ENGINE MACHINES 120V/50HZ GENERATOR (CE SPECS)	208
FIGURE 3-24. 2800W GENERATOR INSTALLATION - KUBOTA ENGINE MACHINES 220V/50HZ GENERATOR (ANSI EXPORT, AUSTRALIAN, CE AND CHINA SPECS)	212
FIGURE 3-25. 3500W GENERATOR INSTALLATION - GM ENGINE MACHINES 120V/60HZ GENERATOR (ANSI, ANSI EXPORT, CHINA, CSA AND JAPANESE SPECS).....	216
FIGURE 3-26. 3500W GENERATOR INSTALLATION - GM ENGINE MACHINES 220V/60HZ GENERATOR (ANSI EXPORT, CHINA AND CSA SPECS).....	220
FIGURE 3-27. 3500W GENERATOR INSTALLATION - KUBOTA ENGINE MACHINES 120V/60HZ GENERATOR (ANSI, ANSI EXPORT, CHINA, CSA AND JAPANESE SPECS).....	224
FIGURE 3-28. 3500W GENERATOR INSTALLATION - KUBOTA ENGINE MACHINES 220V/60HZ GENERATOR (ANSI EXPORT, CHINA AND CSA SPECS)	228
FIGURE 3-29. 4000W GENERATOR INSTALLATION - KUBOTA ENGINE MACHINES 220V/50HZ GENERATOR (ANSI EXPORT, AUSTRALIAN, CE, CHINA AND JAPANESE SPECS)	232
FIGURE 3-30. 4000W GENERATOR INSTALLATION - KUBOTA ENGINE MACHINES 110V/60HZ GENERATOR (ANSI, ANSI EXPORT, CHINA, CSA AND JAPANESE SPECS).....	236
SECTION 4 - BOOM.....	239
FIGURE 4-1. BOOM AND CYLINDERS INSTALLATION - WITHOUT ARCTIC PACKAGE	240
FIGURE 4-2. BOOM AND CYLINDERS INSTALLATION - WITH ARCTIC PACKAGE	242
FIGURE 4-3. TOWER BOOM ASSEMBLY	244
FIGURE 4-4. MAIN BOOM ASSEMBLY	246
FIGURE 4-5. JIB ASSEMBLY - WITHOUT ARCTIC PACKAGE.....	248
FIGURE 4-6. JIB ASSEMBLY - WITH ARCTIC PACKAGE	250
FIGURE 4-7. PLATFORM ROTATOR ASSEMBLY - WITHOUT ARCTIC PACKAGE	252
FIGURE 4-8. PLATFORM ROTATOR ASSEMBLY - WITH ARCTIC PACKAGE	254
FIGURE 4-9. PLATFORM SUPPORT INSTALLATION - WITHOUT LSS.....	256
FIGURE 4-10. PLATFORM SUPPORT INSTALLATION - WITH 4 CELL LSS	258
FIGURE 4-11. PLATFORM SUPPORT INSTALLATION - WITH 1 CELL LSS	260
FIGURE 4-12. POWER TRACK INSTALLATION.....	262
FIGURE 4-13. CONTROL VALVES INSTALLATION - BOOM.....	264
FIGURE 4-14. FLY BOOM VALVE ASSEMBLY	266
FIGURE 4-15. BOOM UPRIGHT VALVE ASSEMBLY	268
SECTION 5 - PLATFORM.....	271
FIGURE 5-1. PLATFORM ASSEMBLY - 30IN X 4FT (76CM X 1.22M) - GATE ENTRY	272
FIGURE 5-2. PLATFORM ASSEMBLY - 30IN X 5FT (76CM X 1.52M) - GATE ENTRY	274
FIGURE 5-3. PLATFORM ASSEMBLY - 30IN X 4FT (76CM X 1.22M) - DROP BAR ENTRY	276
FIGURE 5-4. PLATFORM ASSEMBLY - 30IN X 5FT (76CM X 1.52M) - DROP BAR ENTRY	278
FIGURE 5-5. PLATFORM ASSEMBLY - 30IN X 3FT (76CM X .91M) - DROP BAR ENTRY	280
FIGURE 5-6. TRAY INSTALLATION.....	282
FIGURE 5-7. CONSOLE AND FOOTSWITCH INSTALLATION - DIESEL MACHINES WITHOUT SKYGUARD.....	284
FIGURE 5-8. CONSOLE AND FOOTSWITCH INSTALLATION WITHOUT LSS OR WITH 4 CELL LSS - DIESEL MACHINES WITH SKYGUARD.....	286

TABLE OF CONTENTS

FIGURE 5-9. CONSOLE AND FOOTSWITCH INSTALLATION WITH 1 CELL LSS - DIESEL MACHINES WITH SKYGUARD (Prior to SN 0300257079).....	288
FIGURE 5-10. CONSOLE AND FOOTSWITCH INSTALLATION WITH 1 CELL LSS - DIESEL MACHINES WITH SKYGUARD (SN 0300257079 to Present)	290
FIGURE 5-11. CONSOLE AND FOOTSWITCH INSTALLATION - GAS MACHINES WITHOUT SKYGUARD	292
FIGURE 5-12. CONSOLE AND FOOTSWITCH INSTALLATION WITHOUT LSS OR WITH 4 CELL LSS - GAS MACHINES WITH SKYGUARD	294
FIGURE 5-13. CONSOLE AND FOOTSWITCH INSTALLATION WITH 1 CELL LSS - GAS MACHINES WITH SKYGUARD (Prior to SN 0300257079).....	296
FIGURE 5-14. CONSOLE AND FOOTSWITCH INSTALLATION WITH 1 CELL LSS - GAS MACHINES WITH SKYGUARD (SN 0300257079 to Present)	298
FIGURE 5-15. CONSOLE ASSEMBLY - WITHOUT SKYGUARD (SN 0300200802 through 0300219869)	300
FIGURE 5-16. CONSOLE ASSEMBLY - WITHOUT SKYGUARD (SN 0300219870 to Present)	304
FIGURE 5-17. CONSOLE ASSEMBLY WITHOUT LSS OR WITH 4 CELL LSS - WITH SKYGUARD (SN 0300200802 through 0300219869)	308
FIGURE 5-18. CONSOLE ASSEMBLY WITHOUT LSS OR WITH 4 CELL LSS - WITH SKYGUARD (SN 0300219870 to Present)	312
FIGURE 5-19. CONSOLE ASSEMBLY WITH 1 CELL LSS - WITH SKYGUARD (Prior to SN 0300257079)	316
FIGURE 5-20. CONSOLE ASSEMBLY WITH 1 CELL LSS - WITH SKYGUARD (SN 0300257079 to Present).....	320
FIGURE 5-21. LIFT/SWING CONTROLLER ASSEMBLY	324
FIGURE 5-22. DRIVE/STEER CONTROLLER ASSEMBLY	328
FIGURE 5-23. WORKLIGHTS INSTALLATION (OPTIONAL)	330
FIGURE 5-24. SKYGUARD BAR INSTALLATION (Prior to SN 0300257079)	332
FIGURE 5-25. SKYGUARD BAR INSTALLATION (SN 0300257079 to Present).....	334
FIGURE 5-26. SKYEYE INSTALLATION	336
FIGURE 5-27. SKYLINE INSTALLATION	338
FIGURE 5-28. CROSS RAIL INSTALLATION.....	340
FIGURE 5-29. PIPE RACK INSTALLATION (AUSTRALIAN SPEC)	342
SECTION 6 - CYLINDER	345
FIGURE 6-1. AXLE LOCKOUT CYLINDER ASSEMBLY	346
FIGURE 6-2. LEVEL (PLATFORM SLAVE) CYLINDER ASSEMBLY (Prior to SN 0300238046)	348
FIGURE 6-3. LEVEL (PLATFORM SLAVE) CYLINDER ASSEMBLY (SN 0300238046 to Present).....	350
FIGURE 6-4. LIFT (JIB) CYLINDER ASSEMBLY.....	352
FIGURE 6-5. LIFT (MAIN BOOM) CYLINDER ASSEMBLY	354
FIGURE 6-6. LIFT (TOWER BOOM) CYLINDER ASSEMBLY.....	356
FIGURE 6-7. MASTER CYLINDER ASSEMBLY	358
FIGURE 6-8. STEER CYLINDER ASSEMBLY.....	360
FIGURE 6-9. TELESCOPE CYLINDER ASSEMBLY	362
SECTION 7 - HYDRAULIC	365
FIGURE 7-1. HYDRAULIC INSTALLATION - WITHOUT ARCTIC PACKAGE	366
FIGURE 7-2. HYDRAULIC INSTALLATION - WITH ARCTIC PACKAGE	376
FIGURE 7-3. HYDRAULIC DIAGRAM LIST	386
SECTION 8 - ELECTRICAL	387
FIGURE 8-1. ELECTRICAL DIAGRAM LIST.....	388
FIGURE 8-2. AC BOX AT PLATFORM INSTALLATION - LOCALLY SUPPLIED COMPONENTS (ANSI EXPORT, AUSTRALIAN AND CHINA SPECS).....	390
FIGURE 8-3. AC BOX AT PLATFORM INSTALLATION - LOCALLY SUPPLIED (CE SPEC)	392
FIGURE 8-4. AC BOX AT PLATFORM INSTALLATION - 110V (ANSI, ANSI EXPORT, CHINA, CSA AND JAPANESE SPECS)	394
FIGURE 8-5. AC BOX AT PLATFORM INSTALLATION - 110V IEC YELLOW WITHOUT 4000W GENERATOR (CE SPEC) ...	396
FIGURE 8-6. AC BOX AT PLATFORM INSTALLATION - 110V IEC YELLOW WITH 4000W GENERATOR (CE SPECS)	398
FIGURE 8-7. AC BOX AT PLATFORM INSTALLATION - 220V (CSA SPEC)	400
FIGURE 8-8. AC BOX AT PLATFORM INSTALLATION - 220V IEC BLUE WITHOUT 4000W GENERATOR (CE SPEC).....	402
FIGURE 8-9. AC BOX AT PLATFORM INSTALLATION - 220V IEC BLUE WITH 4000W GENERATOR (CE SPECS).....	404
FIGURE 8-10. AC BOX AT PLATFORM INSTALLATION - 220V CEE7 POST GROUND 70 X 70 BOX (CE SPEC).....	406
FIGURE 8-11. AC BOX AT PLATFORM INSTALLATION - 220V CEE7 SIDE GROUND 70 X 70 BOX (CE SPEC)	408
FIGURE 8-12. AC BOX AT PLATFORM INSTALLATION - 220V CEE7 POST GROUND 2 X 4 BOX WITHOUT 4000W GENERATOR (CE SPEC).....	410
FIGURE 8-13. AC BOX AT PLATFORM INSTALLATION - 220V CEE7 POST GROUND 2 X 4 BOX WITH 4000W GENERATOR (CE SPECS)	412

TABLE OF CONTENTS

FIGURE 8-14. AC BOX AT PLATFORM INSTALLATION - 220V CEE7 SIDE GROUND 2 X 4 BOX WITHOUT 4000W GENERATOR (CE SPEC)	414
FIGURE 8-15. AC BOX AT PLATFORM INSTALLATION - 220V CEE7 SIDE GROUND 2 X 4 BOX WITH 4000W GENERATOR (CE SPECS).....	416
FIGURE 8-16. AC BOX AT PLATFORM INSTALLATION - 220V AFSINT 107 KEYED GROUND WITHOUT 4000W GENERATOR (CE SPEC)	418
FIGURE 8-17. AC BOX AT PLATFORM INSTALLATION - 220V AFSINT 107 KEYED GROUND WITH 4000W GENERATOR (CE SPECS).....	420
FIGURE 8-18. AC BOX AT PLATFORM INSTALLATION - BOX WITH COVER WITH 4000W GENERATOR (ANSI EXPORT, AUSTRALIAN, CHINA AND JAPANESE SPECS)	422
FIGURE 8-19. AC CIRCUIT BREAKER INSTALLATION.....	424
FIGURE 8-20. AC POWER TO PLATFORM CABLE - MAIN BOOM (WITHOUT ARCTIC PACKAGE) (50HZ)	426
FIGURE 8-21. AC POWER TO PLATFORM CABLE - MAIN BOOM (WITH ARCTIC PACKAGE) (50HZ).....	428
FIGURE 8-22. AC POWER TO PLATFORM CABLE - TOWER BOOM (WITHOUT ARCTIC PACKAGE) (50HZ)	430
FIGURE 8-23. AC POWER TO PLATFORM CABLE - TOWER BOOM (WITH ARCTIC PACKAGE) (50HZ)	432
FIGURE 8-24. AC POWER TO PLATFORM CABLE - MAIN BOOM (60HZ).....	434
FIGURE 8-25. AC POWER TO PLATFORM CABLE - TOWER BOOM (60HZ)	436
FIGURE 8-26. BOOM CABLES, HARNESSES AND CLAMPS INSTALLATION - WITHOUT ARCTIC PACKAGE	438
FIGURE 8-27. BOOM CABLES, HARNESSES AND CLAMPS INSTALLATION - WITH ARCTIC PACKAGE	442
FIGURE 8-28. BOOM CABLES AND CLAMPS INSTALLATION - 4000W, 50HZ - WITHOUT ARCTIC PACKAGE	446
FIGURE 8-29. BOOM CABLES AND CLAMPS INSTALLATION - 4000W, 50HZ - WITH ARCTIC PACKAGE	450
FIGURE 8-30. BOOM CABLES AND CLAMPS INSTALLATION - 4000W, 60HZ - WITHOUT ARCTIC PACKAGE	454
FIGURE 8-31. BOOM CABLES AND CLAMPS INSTALLATION - 4000W, 60HZ - WITH ARCTIC PACKAGE	458
FIGURE 8-32. BOOM HARNESS - LIMIT SWITCHES AND UPRIGHT VALVE	462
FIGURE 8-33. BOOM HARNESS - MAIN	464
FIGURE 8-34. BOOM HARNESS - UPPER BOOM VALVE	466
FIGURE 8-35. BREAKER BOX KIT (CE SPEC)	468
FIGURE 8-36. CHASSIS HARNESS ASSEMBLY	470
FIGURE 8-37. CHASSIS LIGHT HARNESS	474
FIGURE 8-38. GENERATOR HARNESS - 2500W	476
FIGURE 8-39. GENERATOR HARNESS - 4000W	478
FIGURE 8-40. GENERATOR TO AC PLUG HARNESS - 2800W GENERATOR 220/50HZ (ANSI EXPORT, AUSTRALIAN, CE AND CHINA SPECS)	480
FIGURE 8-41. GENERATOR TO AC PLUG HARNESS - 2800W GENERATOR 110/50HZ (CE SPECS ONLY)	482
FIGURE 8-42. GENERATOR TO AC PLUG HARNESS - 2800W GENERATOR 220/50HZ (ANSI EXPORT, AUSTRALIAN, CE AND CHINA SPECS)	484
FIGURE 8-43. GENERATOR TO AC PLUG HARNESS - 3500W GENERATOR 220/60HZ (ANSI EXPORT, CHINA AND CSA SPECS).....	486
FIGURE 8-44. GENERATOR TO AC PLUG HARNESS - 3500W GENERATOR 110/60HZ (ANSI, ANSI EXPORT, CHINA, CSA AND JAPANESE SPECS).....	488
FIGURE 8-45. GENERATOR TO AC PLUG HARNESS - 3500W GENERATOR 220/60HZ (ANSI EXPORT, CHINA AND CSA SPECS).....	490
FIGURE 8-46. GM FUEL PUMP HARNESS	492
FIGURE 8-47. GROUND TO PLATFORM CABLE - MAIN BOOM (WITHOUT ARCTIC PACKAGE)	494
FIGURE 8-48. GROUND TO PLATFORM CABLE - MAIN BOOM (WITH ARCTIC PACKAGE)	496
FIGURE 8-49. GROUND TO PLATFORM CABLE - TOWER BOOM (WITHOUT ARCTIC PACKAGE).....	498
FIGURE 8-50. GROUND TO PLATFORM CABLE - TOWER BOOM (WITH ARCTIC PACKAGE)	500
FIGURE 8-51. GROUND CONTROL HARNESS (ALL SPECS EXCEPT CE).....	502
FIGURE 8-52. GROUND CONTROL HARNESS (CE SPEC).....	504
FIGURE 8-53. GENERATOR TO PLATFORM HARNESS - WITH SKYGUARD	506
FIGURE 8-54. KUBOTA ENGINE HARNESS	508
FIGURE 8-55. LIMIT SWITCH HARNESS	510
FIGURE 8-56. LSS HARNESS	512
FIGURE 8-57. MID-ENGINE HARNESS.....	514
FIGURE 8-58. PLATFORM BOX HARNESS ASSEMBLY WITHOUT SKYGUARD	518
FIGURE 8-59. PLATFORM BOX HARNESS ASSEMBLY WITHOUT LSS OR WITH 4 CELL LSS - WITH SKYGUARD	520
FIGURE 8-60. PLATFORM BOX HARNESS ASSEMBLY WITH 1 CELL LSS - WITH SKYGUARD	522
FIGURE 8-61. RECEPTACLE BOX KIT - 110V IEC YELLOW (CE SPEC)	524
FIGURE 8-62. RECEPTACLE BOX KIT - 220V IEC BLUE (CE SPEC).....	526
FIGURE 8-63. RECEPTACLE BOX KIT - 220V CEE7 POST GROUND 70MM X 70MM BOX (CE SPEC)	528
FIGURE 8-64. RECEPTACLE BOX KIT - 220V CEE7 SIDE GROUND 70MM X 70MM BOX (CE SPEC).....	530
FIGURE 8-65. RECEPTACLE BOX KIT - 220V CEE7 POST GROUND 2IN X 4IN BOX (CE SPEC)	532
FIGURE 8-66. RECEPTACLE BOX KIT - 220V CEE7 SIDE GROUND 2IN X 4IN BOX (CE SPEC)	534
FIGURE 8-67. RECEPTACLE BOX KIT - 220V AFSINT 107 (CE SPEC)	536
FIGURE 8-68. SKYEYE EMITTER HARNESS	538
FIGURE 8-69. SKYEYE INTERMEDIATE HARNESS	540
FIGURE 8-70. SKYEYE RECEIVER HARNESS.....	542

TABLE OF CONTENTS

FIGURE 8-71. SKYLINE HARNESS.....	544
FIGURE 8-72. STROBE LIGHT CONTROL (BLUE STROBE LIGHT)	546
FIGURE 8-73. STROBE LIGHT EXTENSION HARNESS (BLUE STROBE LIGHT ONLY)	548
FIGURE 8-74. VALVE HARNESS	550
FIGURE 8-75. BATTERY DISCONNECT SWITCH.....	552
SECTION 9 - DECALS.....	555
FIGURE 9-1. DECALS INSTALLATION - ANSI AND ANSI EXPORT SPECS (ENGLISH)	556
FIGURE 9-2. DECALS INSTALLATION - AUSTRALIAN SPEC (ENGLISH).....	558
FIGURE 9-3. DECALS INSTALLATION - BRAZIL SPEC (PORTUGUESE/SPANISH).....	560
FIGURE 9-4. DECALS INSTALLATION - CE SPECS (ENGLISH).....	562
FIGURE 9-5. DECALS INSTALLATION - CHINESE SPEC (CHINESE/ENGLISH)	564
FIGURE 9-6. DECALS INSTALLATION - CSA SPEC (FRENCH/ENGLISH).....	566
FIGURE 9-7. DECALS INSTALLATION - JAPANESE SPEC (JAPANESE).....	568
FIGURE 9-8. DECALS INSTALLATION - KOREAN SPEC (KOREAN/ENGLISH)	570
FIGURE 9-9. DECALS INSTALLATION - LATIN AMERICA SPEC (SPANISH/ENGLISH)	572
FIGURE 9-10. OPTIONAL DECALS INSTALLATION	574
SECTION 10 - RECOMMENDED SERVICE PARTS STOCK	577
FIGURE 10-1. RECOMMENDED SERVICE PARTS STOCK.....	578
SECTION 11 - SPECIAL OPTIONS.....	581
FIGURE 11-1. SPECIAL OPTIONS.....	582
PART NUMBER INDEX	585

SECTION 1 - FRAME

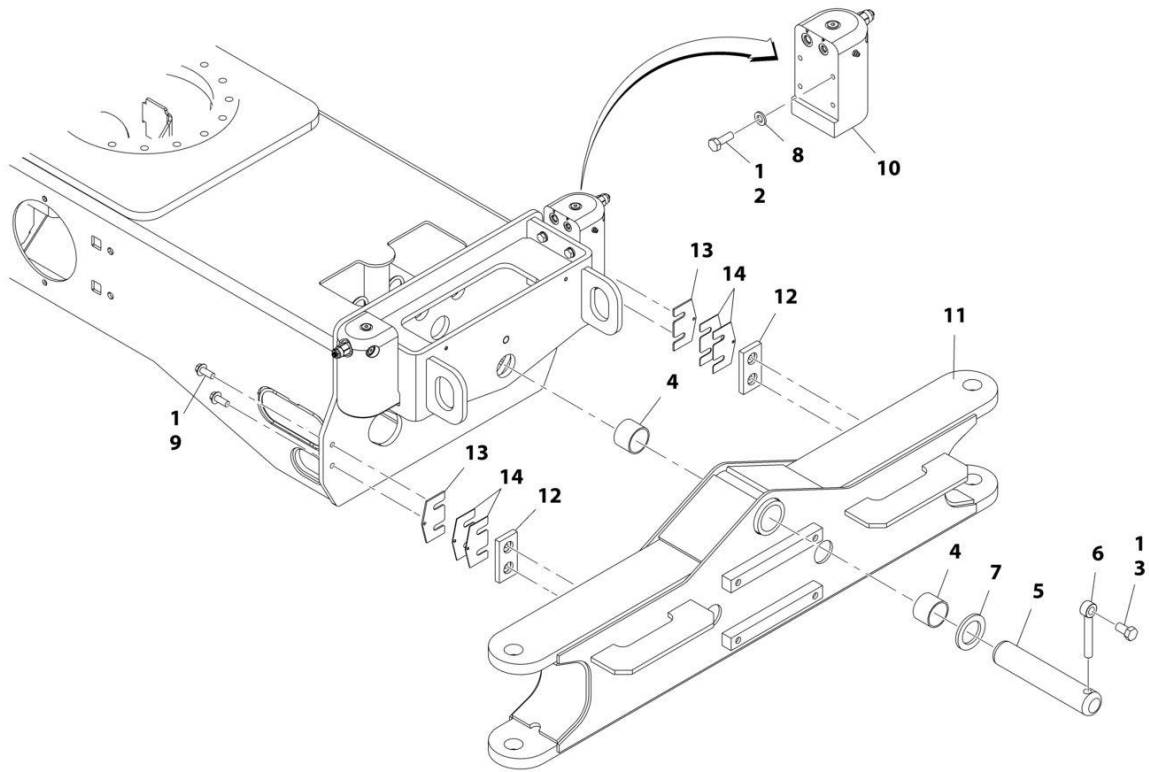
SECTION 1 - FRAME

FIGURE 1-1. STEERING INSTALLATION

ITEM	PART NUMBER	QTY	DESCRIPTION	REV
	1001115771	Ref	STEERING INSTALLATION	A
1	0100011	AR	Compound, Locking	
2	0440271	2	Thrustwasher .250	
3	0440274	2	Bearing	
4	0440291	2	Bearing	
5	0701220	4	Bolt M12 x 60	
6	0761010	20	Bolt M16 x 20	
7	0962140	2	Bushing	
8	3020029	AR	Grease, Bearing	
9	3423081	4	Kingpin	
10	3780182	2	O-Ring	
11	3841520	4	Keeper, Pin	
12	4740086	4	Thrustwasher .0625	
13	4740537	2	Thrustwasher .625	
14	4740538	2	Thrustwasher .125	
15	4740539	2	Thrustwasher .188	
16	4740540	2	Thrustwasher .250	
17	4812100	4	Washer M12	
18	1001116788	1	Steer Cylinder Assembly (See Separate Breakdown in CYLINDER SECTION)	
19	1001116867	4	Pin, Pivot	
20	1001116871	2	Link, Tie-Rod	
21	1001117142	2	Spindle	

SECTION 1 - FRAME

FIGURE 1-2. OSCILLATING AXLE INSTALLATION



ART_1001115772

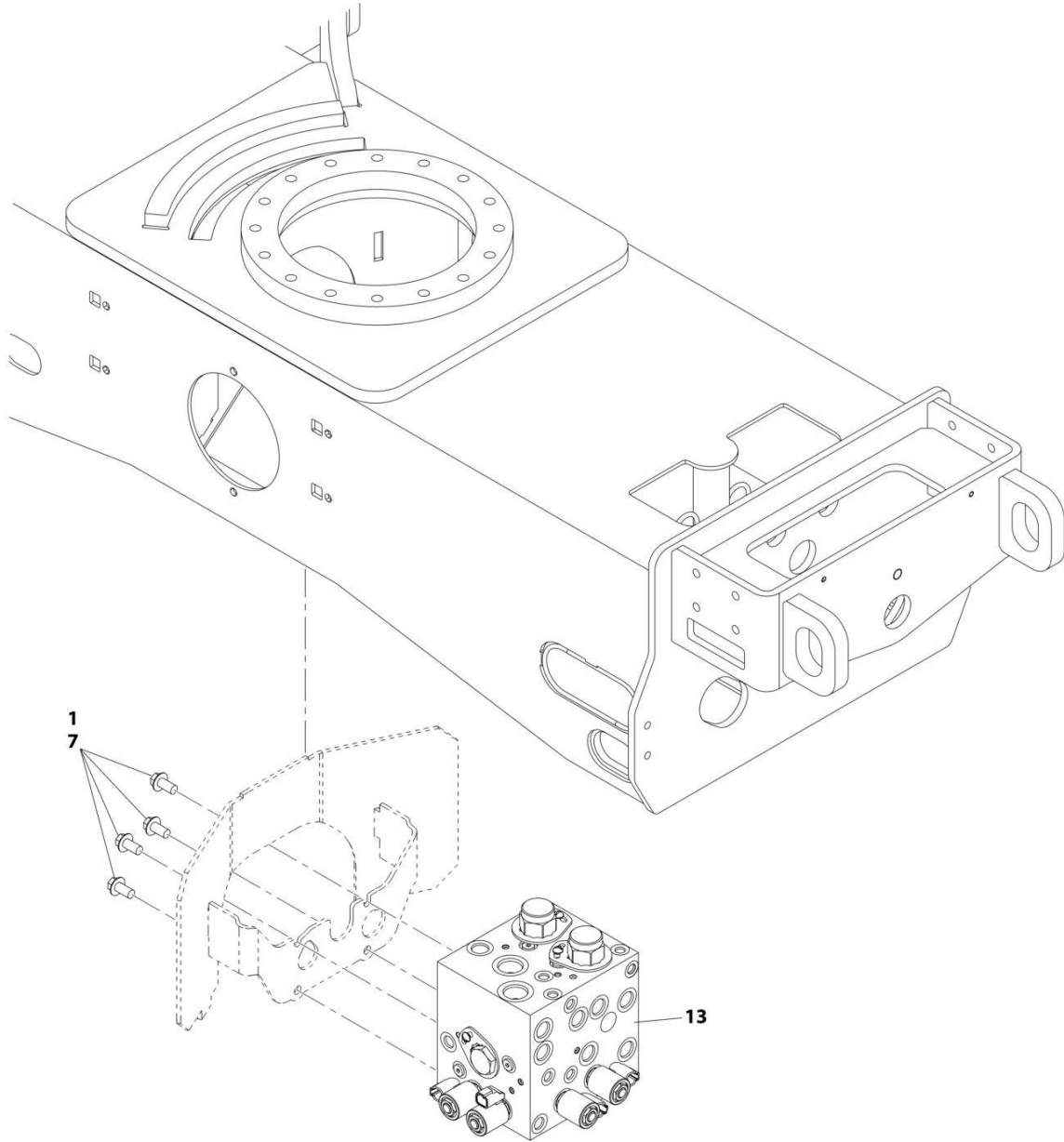
SECTION 1 - FRAME

FIGURE 1-2. OSCILLATING AXLE INSTALLATION

ITEM	PART NUMBER	QTY	DESCRIPTION	REV
	1001115772	Ref	OSCILLATING AXLE INSTALLATION	B
1	0100011	AR	Compound, Locking	
2	0761014	8	Bolt M10 x 30	
3	0761614	1	Bolt M16 x 30	
4	0961950	2	Bushing	
5	3422592	1	Pin, Axle Pivot	
6	3841258	1	Keeper, Pin	
7	4740158	1	Thrustwasher	
8	5241000	8	Washer M10	
9	5251012	4	Bolt M10 x 25	
10	1001116361	2	Lockout Cylinder Assembly (See Separate Breakdown in CYLINDER SECTION)	
11	1001117869	1	Axle Weldment	
12	1001118511	2	Pad, Wear	
13	1001118518	2	Shim 11Ga	
14	1001118519	4	Shim 16Ga	

SECTION 1 - FRAME

FIGURE 1-3. DRIVE VALVES INSTALLATION



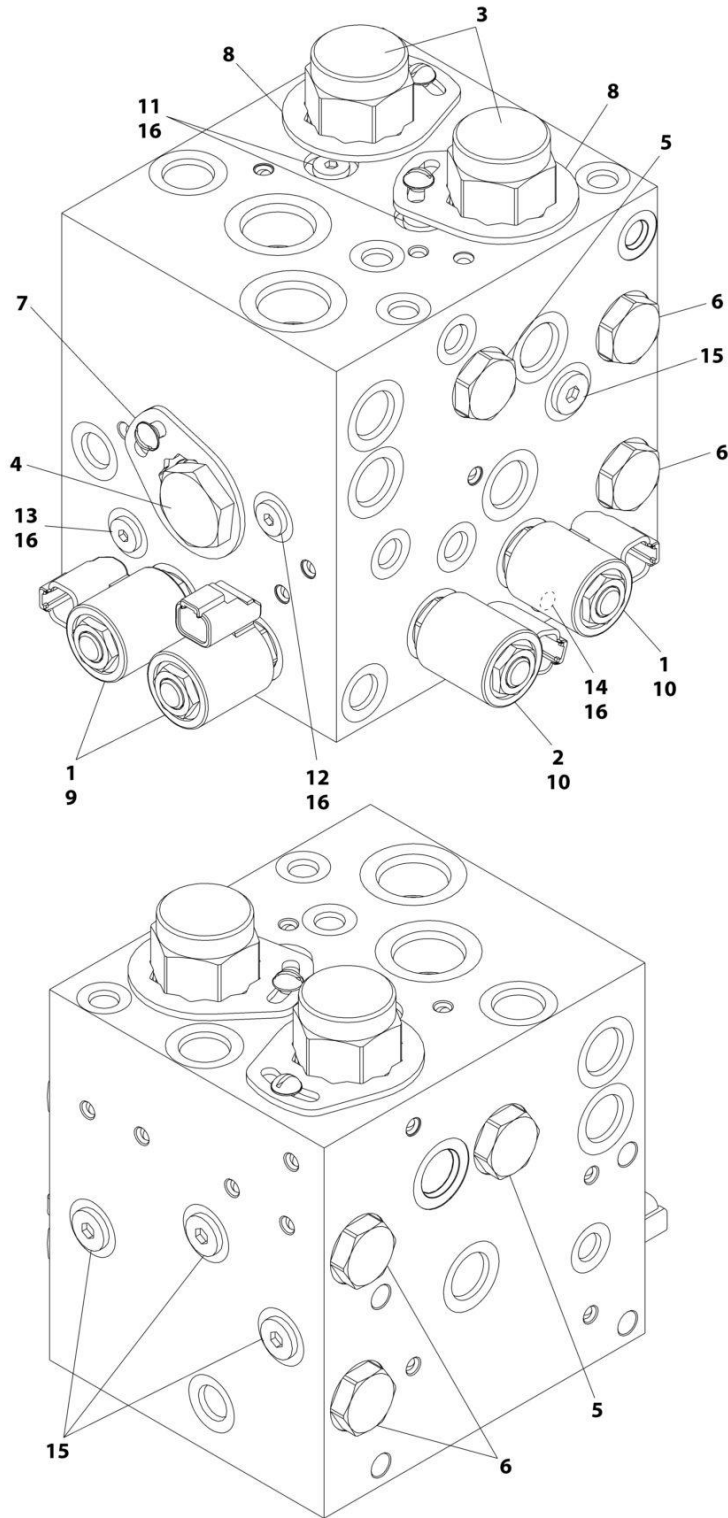
ART_1001115780_10F3

FIGURE 1-3. DRIVE VALVES INSTALLATION

ITEM	PART NUMBER	QTY	DESCRIPTION	REV
	1001115780	Ref	DRIVE VALVES INSTALLATION	G
1	0100011	AR	Compound, Locking	
7	5251010	4	Bolt M10 x 20	
13	1001118029	1	Flow Divider Valve Assembly (See FLOW DIVIDER VALVE ASSEMBLY for Breakdown)	

SECTION 1 - FRAME

FIGURE 1-4. FLOW DIVIDER VALVE ASSEMBLY



ART_1001118029

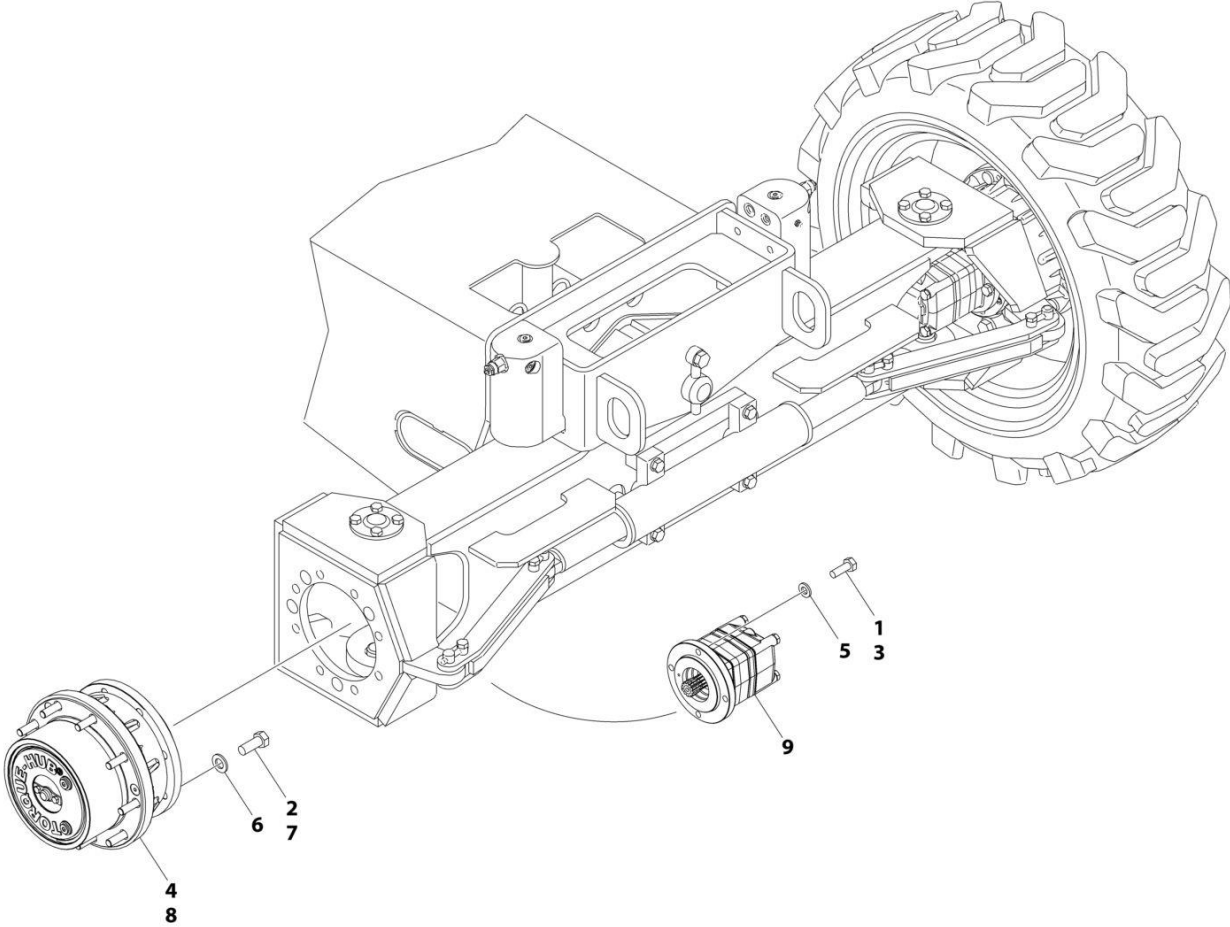
SECTION 1 - FRAME

FIGURE 1-4. FLOW DIVIDER VALVE ASSEMBLY

ITEM	PART NUMBER	QTY	DESCRIPTION	REV
	1001118029	Ref	FLOW DIVIDER VALVE ASSEMBLY	D
1	7012941	3	Valve, Solenoid Cartridge (Without Coil) (Traction, Brake and Secondary Oscillating)	
1	7010543	3	Seal Kit - 7012941 Cartridge	
2	70002955	1	Valve, Solenoid Cartridge (Without Coil) (Primary Oscillating)	
2	7012953	1	Seal Kit - 70002955 Cartridge	
3	70002956	2	Valve, Solenoid Cartridge	
3	70002957	2	Seal Kit - 70002956 Cartridge	
4	70002958	1	Valve, Flow Divider Cartridge	
4	70002959	1	Seal Kit - 70002958 Cartridge	
5	70002960	1	Valve, Flow Divider Cartridge	
5	70002978	1	Seal Kit - 70002960 Cartridge	
6	70002961	4	Valve, Check Cartridge	
6	7017496	4	Seal Kit - 70002961 Check Cartridge	
7	70002962	1	Lock Kit	
8	70000781	2	Lock Kit	
9	70002386	2	Coil	
10	70002963	2	Coil	
11	See Note	2	Orifice .031 (Note: Not Available for Purchase)	
12	See Note	1	Orifice .025 (Note: Not Available for Purchase)	
13	See Note	1	Orifice .040 (Note: Not Available for Purchase)	
14	70002063	1	Orifice .062	
15	7024844	4	Plug	
16	7017406	5	Plug	

SECTION 1 - FRAME

FIGURE 1-5. DRIVE INSTALLATION



ART_1001115770

FIGURE 1-5. DRIVE INSTALLATION

ITEM	PART NUMBER	QTY	DESCRIPTION	REV
	1001115770	Ref	WHEEL DRIVE INSTALLATION	B
1	0100011	AR	Compound, Locking	
2	0100019	AR	Compound, Locking	
3	0761015	16	Bolt M10 x 35	
3	0761014	16	Bolt M10 x 30	
4	3020008	0.8 gal /3L	Lube HD80W-90	
5	5241000	16	Washer M10	
6	5241600	32	Washer M16	
7	1001110922	32	Bolt M16 x 40 Grade 10.9	
8	1001116793	4	Drive Hub/Brake Assembly (See Separate Breakdown in this Section)	
9	1001117030	4	Drive Motor Assembly (See Separate Breakdown in this Section)	

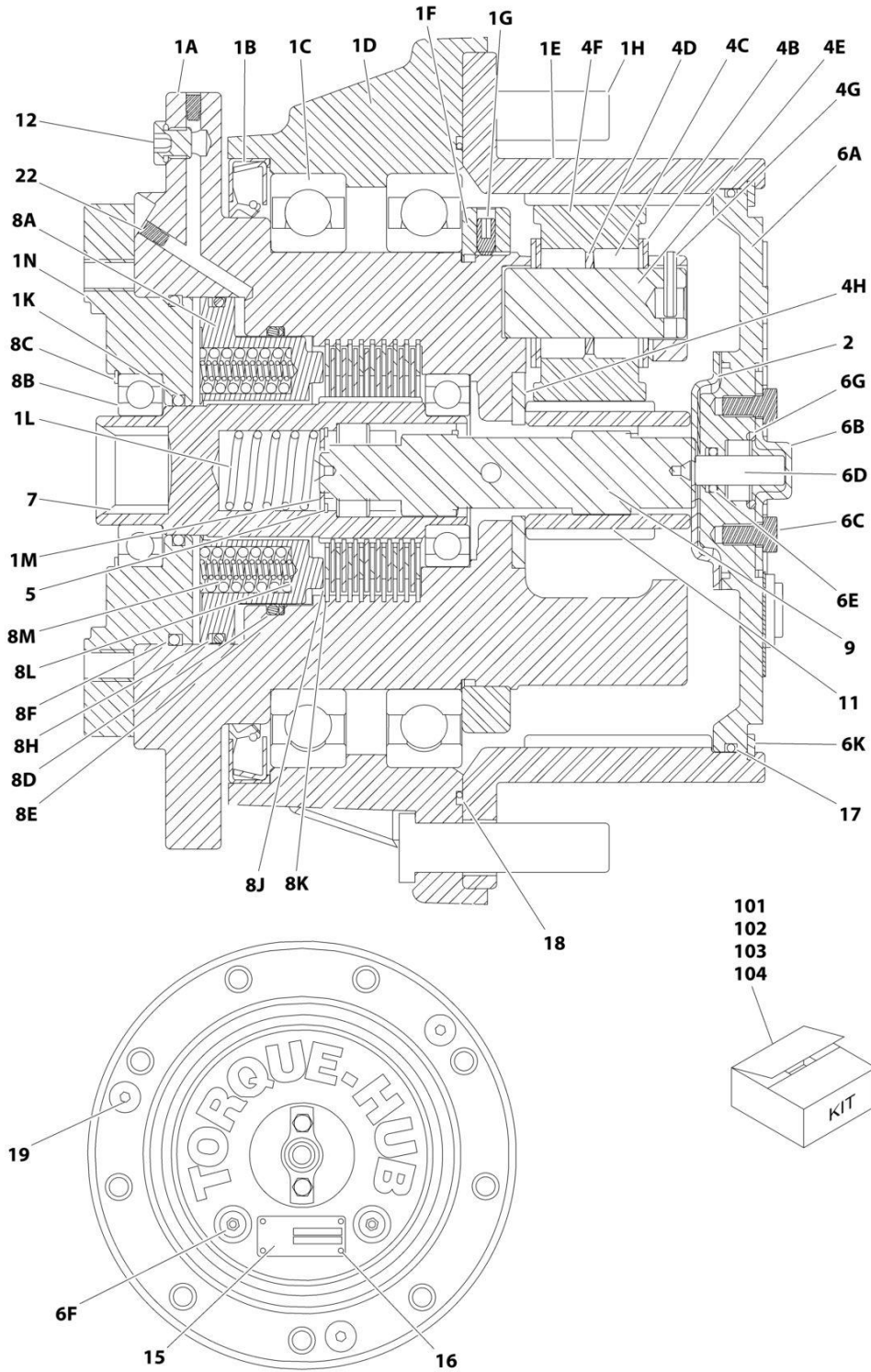
SECTION 1 - FRAME

FIGURE 1-6. DRIVE MOTOR ASSEMBLY

ITEM	PART NUMBER	QTY	DESCRIPTION	REV
	1001117030	Ref	DRIVE MOTOR ASSEMBLY	B
1	70003005	1	Plug	
2	8007941	1	Washer	
3	See Note	NSS	Flange (Note: Not Available - Purchase p/n 1001117030)	
4	70003006	1	O-Ring	
5	70003007	1	Shaft	
6	70003008	3	O-Ring	
7	70003009	1	Gear Set	
8	70003010	1	Shaft, Coupling	
9	70003011	1	Plate, Port	
10	70003012	1	Ring, Stop	
11	7027955	1	Disc, Valve	
12	7027956	1	Plate, Pressure	
13	7027957	1	Pin, Spring	
14	70003013	1	O-Ring	
15	70003014	1	O-Ring	
16	7027958	1	Spacer	
17	7027959	1	Washer, Crinkle	
18	See Note	NSS	Cover, End (Note: Not Available - Purchase p/n 1001117030)	
19	70003016	4	Screw	
20	80334555	2	Ball	
21	See Note	NSS	Nameplate (Note: Not Available for Purchase)	

SECTION 1 - FRAME

FIGURE 1-7. DRIVE HUB/BRAKE ASSEMBLY



ART_1001116793

SECTION 1 - FRAME

FIGURE 1-7. DRIVE HUB/BRAKE ASSEMBLY

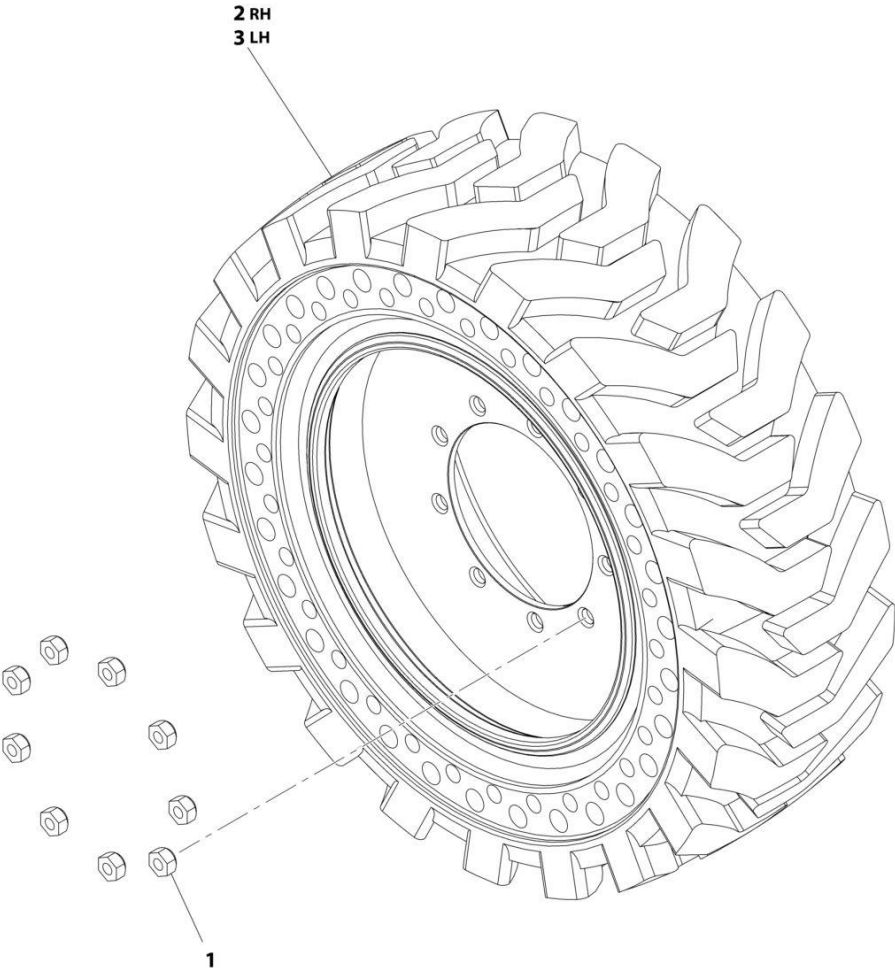
ITEM	PART NUMBER	QTY	DESCRIPTION	REV
	1001116793	Ref	DRIVE HUB/BRAKE ASSEMBLY	C
1	See Note	NLA	Spindle/Housing Assembly (Note: Not Available - Purchase Individual Components)	
1A	70002987	1	Spindle	
1B	70001119	1	Seal, Lip (Part of Item 104)	
1C	70002991	2	Bearing, Ball	
1D	See Note	NSS	Housing (Note: Use p/n 1001116793)	
1E	70002989	1	Ring Gear	
1F	70003000	1	Nut, Bearing (Part of Item 104)	
1G	70002996	2	Setscrew 1/4-28 x 1/2 (Part of Item 104)	
1H	7007640	9	Bolt, Mounting	
1K	See Note	NSS	Seal (Note: Use Item 102 or 103)	
1L	70002992	1	Spring	
1M	70002999	1	Thrustwasher	
1N	70002988	1	Adapter	
2	7024741	1	Spacer, Thrust	
4	70002983	1	Planet Gear Assembly (Includes Items 4B-4G)	
4B	See Note	NSS	Spacer, Washer (Note: Use Item 4)	
4C	See Note	NSS	Bearing (Note: Use Item 4)	
4D	See Note	NSS	Spacer (Note: Use Item 4)	
4E	See Note	NSS	Shaft, Planet (Note: Use Item 4)	
4F	See Note	NSS	Gear, Planet (Note: Use Item 4)	
4G	7001913	3	Rollpin	
4H	7024742	1	Spacer, Thrust	
5	70002995	1	Ring, Retaining	
6	70001368	1	Cover Assembly (Includes Items 6A-6G)	
6A	See Note	NSS	Cover (Note: Use Item 6)	
6B	See Note	NSS	Cap (Note: Use Item 6)	
6C	See Note	NSS	Bolt (Note: Use Item 6)	
6D	See Note	NSS	Pin (Note: Use Item 6)	
6E	See Note	NSS	Washer Seal (Note: Use Item 6)	
6F	See Note	NSS	Plug (Note: Not Available for Purchase)	
6G	See Note	NSS	Retainer (Note: Use Item 6)	
6K	7024738	1	Ring, Retaining	
7	70002985	1	Coupling	
8	See Note	NLA	Brake Assembly (Includes Items 8A-8M) (Note: Not Available - Purchase Individual Components)	
8A	70002993	1	Piston, Brake	
8B	70002990	2	Bearing, Ball	
8C	70002994	1	Ring, Retaining	
8D	See Note	NSS	O-Ring (Note: Use Item 103)	
8E	See Note	NSS	Ring, Back-up (Note: Use Item 103)	
8F	See Note	NSS	O-Ring (Note: Use Item 102 or 103)	
8H	See Note	NSS	Ring, Back-up (Note: Use Item 103)	
8J	See Note	NSS	Disc, Brake Reaction (Note: Use Item 101)	
8K	See Note	NSS	Disc, Brake Friction (Note: Use Item 101)	
8L	See Note	NSS	Spring (Note: Use Item 102)	
8M	See Note	NSS	Spring (Note: Use Item 102)	
9	70002984	1	Shaft, Input	
11	70002986	1	Gear, Sun	

SECTION 1 - FRAME

ITEM	PART NUMBER	QTY	DESCRIPTION	REV
12	70002998	1	Plug, Pipe	
15	See Note	NSS	Nameplate (Note: Not Available for Purchase)	
16	7000281	2	Drivescrew	
17	7024134	1	O-Ring (Part of Item 104)	
18	70002997	1	O-Ring (Part of Item 104)	
19	7017022	NSS	Capscrew 3/8-16 (Part of Item 104)	
21	See Note	8	Capscrew 3/8-16 x 7/8 Grade 8 (Note: Use Item 102 or 103)	
22	7024108	2	Plug, Pressure	
101	70002980	1	Brake Disc Kit (Includes Items 8J & 8K)	
102	70002982	1	Brake Spring Kit (Includes Items 1K, 8F, 8L, 8M & 21)	
103	70002981	1	Brake Seal Kit (Includes Items 1K, 8D, 8E, 8F, 8H & 21)	
104	7024744	1	Hub Seal Kit (Includes Items 1B, 1F, 1G & 17-19)	

SECTION 1 - FRAME

FIGURE 1-8. TIRE AND WHEEL INSTALLATION - 7X18 SOLID CUSHION



ART_100118641

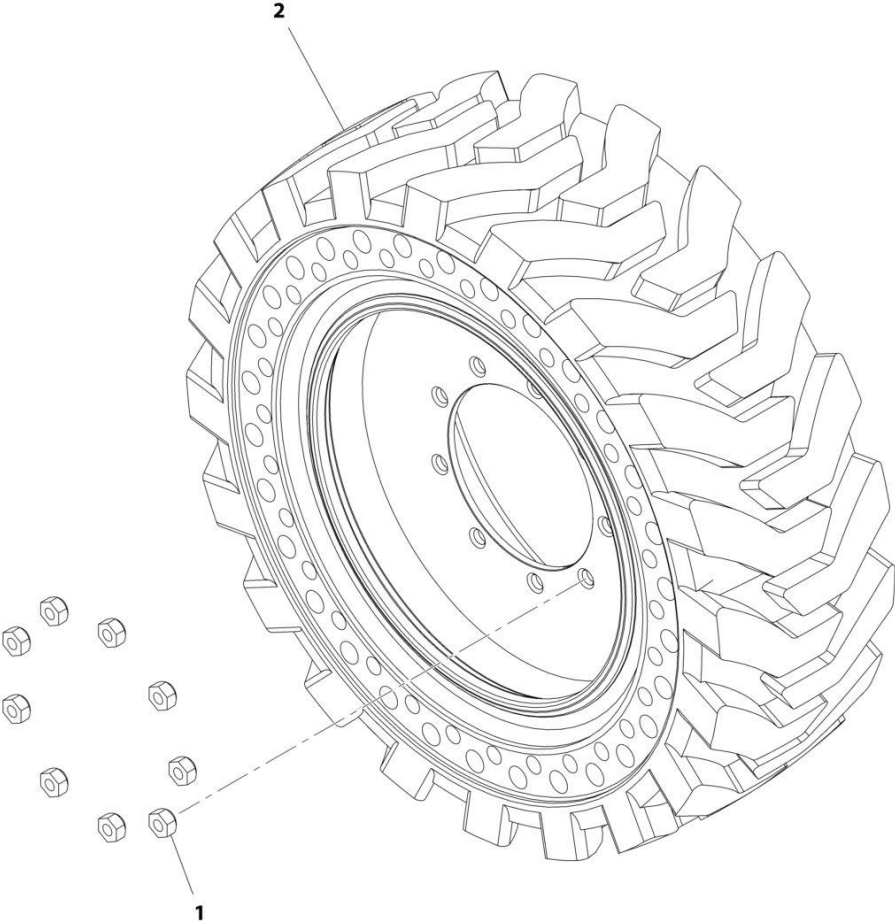
SECTION 1 - FRAME

FIGURE 1-8. TIRE AND WHEEL INSTALLATION - 7X18 SOLID CUSHION

ITEM	PART NUMBER	QTY	DESCRIPTION	REV
	1001118641	Ref	TIRE AND WHEEL INSTALLATION - 7X18 SOLID	C
		Ref	Note: Due to critical stability weights, only replace tire and wheel assemblies with like components.	
1	3300106	36	Lugnut (9 per Wheel)	
2	1001118649	2	Tire and Wheel Assembly - 7 x 18 Solid Right Side (Note: No Serviceable Parts - Replace Complete Sets per Axle)	
3	1001121678	2	Tire and Wheel Assembly - 7 x 18 Solid Left Side (Note: No Serviceable Parts - Replace Complete Sets per Axle)	

SECTION 1 - FRAME

FIGURE 1-9. TIRE AND WHEEL INSTALLATION - 7X18 SOLID CUSHION NON-MARKING



ART_100118644

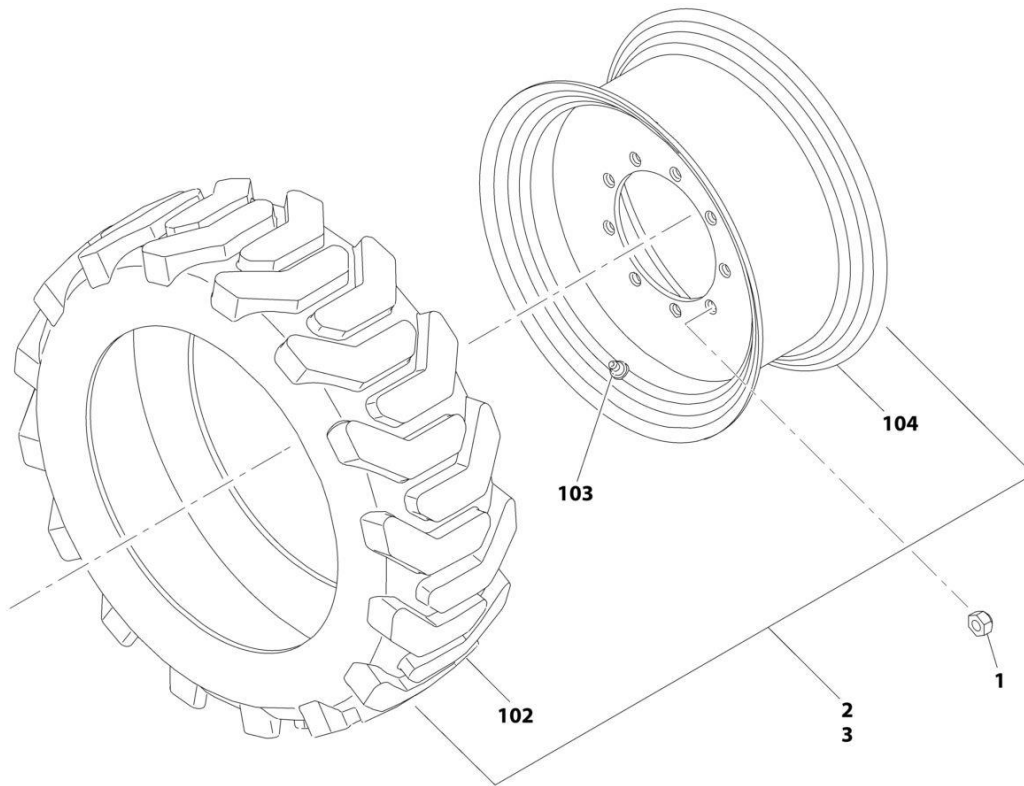
SECTION 1 - FRAME

FIGURE 1-9. TIRE AND WHEEL INSTALLATION - 7X18 SOLID CUSHION NON-MARKING

ITEM	PART NUMBER	QTY	DESCRIPTION	REV
	1001118644	Ref	TIRE AND WHEEL INSTALLATION - 7X18 SOLID NON-MARKING	B
		Ref	Note: Due to critical stability weights, only replace tire and wheel assemblies with like components.	
1	3300106	36	Lugnut (9 per Wheel)	
2	1001118654	4	Tire and Wheel Assembly - 7 x 18 Solid (Note: No Serviceable Parts - Replace Complete Sets per Axle)	

SECTION 1 - FRAME

FIGURE 1-10. TIRE AND WHEEL INSTALLATION - 9X20 FOAM-FILLED



ART_1001115773

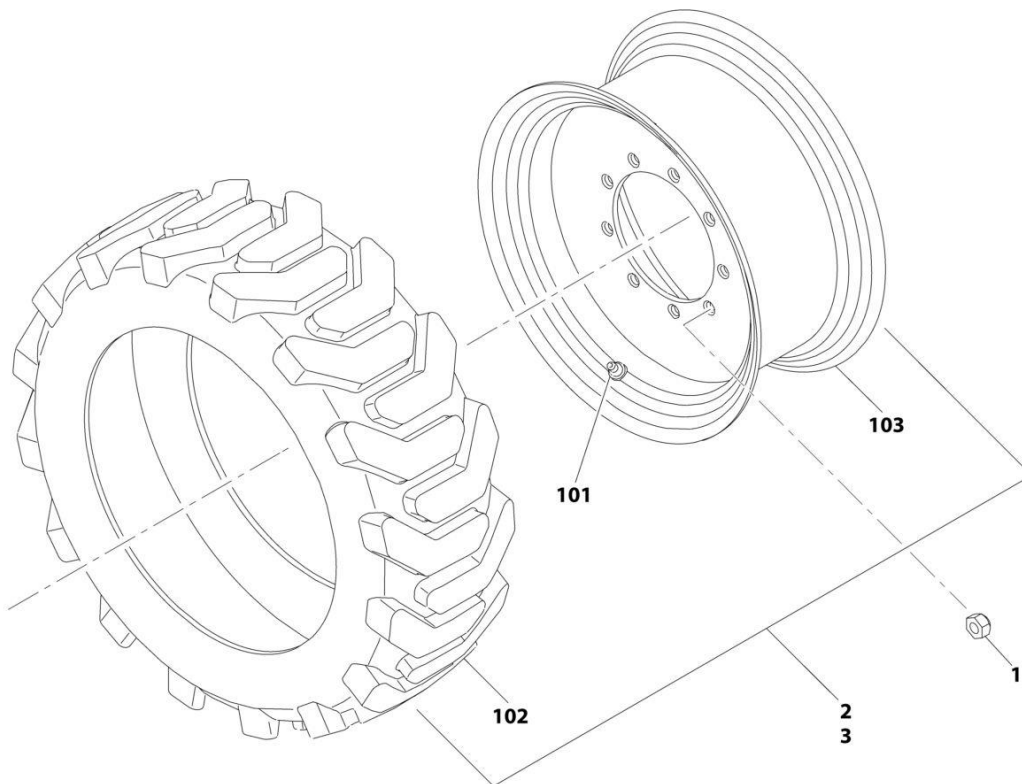
SECTION 1 - FRAME

FIGURE 1-10. TIRE AND WHEEL INSTALLATION - 9X20 FOAM-FILLED

ITEM	PART NUMBER	QTY	DESCRIPTION	REV
	1001115773	Ref	TIRE AND WHEEL INSTALLATION - 9X20 FOAM-FILLED	B
		Ref	Note: Due to critical stability weights, only replace tire and wheel assemblies with like components.	
1	3300106	36	Lugnut (9 per Wheel)	
2	1001117131	2	Tire and Wheel Assembly - 9 x 20 Foam-Filled Left Side	E
3	1001117132	2	Tire and Wheel Assembly - 9 x 20 Foam-Filled Right Side	D
		Ref	Note: Assemblies may require ballast/foam filling to manufacture's specifications prior to installing on a machine. Refer to Operation and Safety or Service and Maintenance Manuals. Purchase individual tire and/or rim only if able to foam fill tire and wheel assembly, otherwise, purchase complete assembly.	
102	4520605	4	Tire - IN265/50D20	
103	4640113	4	Valve, Air	
104	1001117129	4	Rim for 20 x 9 (Use with IN265/50D20 Tires)	

SECTION 1 - FRAME

FIGURE 1-11. TIRE AND WHEEL INSTALLATION - 9X20 FOAM-FILLED NON-MARKING



ART_100118642

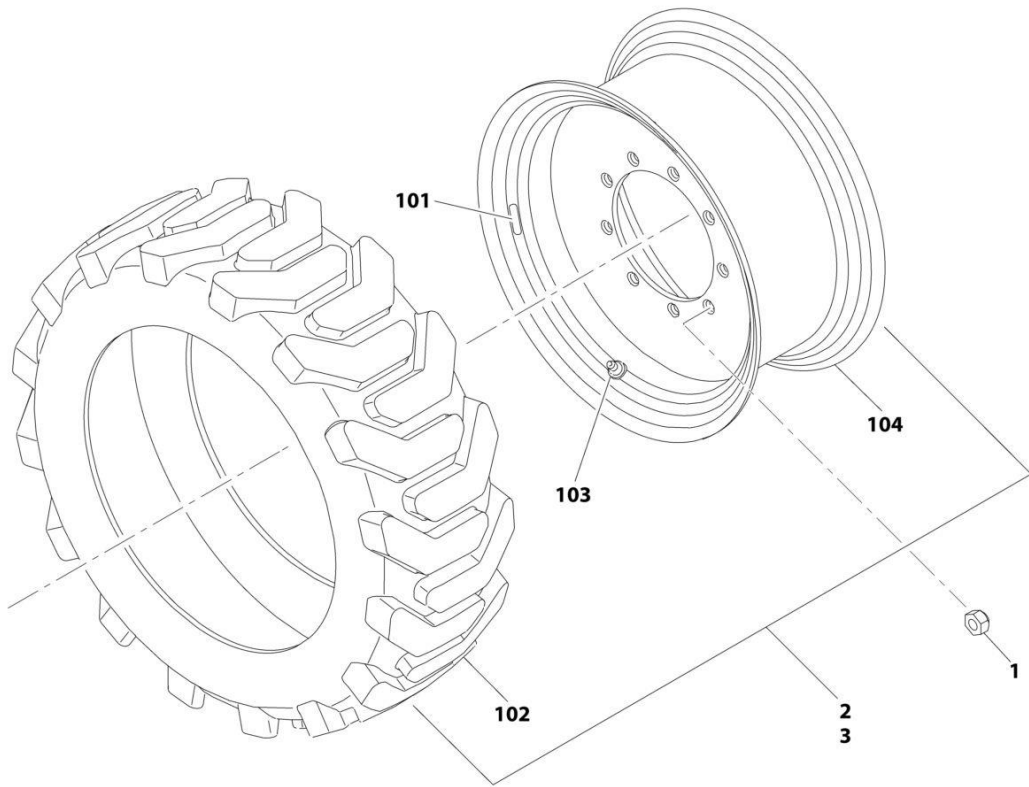
SECTION 1 - FRAME

FIGURE 1-11. TIRE AND WHEEL INSTALLATION - 9X20 FOAM-FILLED NON-MARKING

ITEM	PART NUMBER	QTY	DESCRIPTION	REV
	1001118642	Ref	TIRE AND WHEEL INSTALLATION - 9X20 FOAM-FILLED NON-MARKING	B
		Ref	Note: Due to critical stability weights, only replace tire and wheel assemblies with like components.	
1	3300106	36	Lugnut (9 per Wheel)	
2	1001118650	2	Tire and Wheel Assembly - 9 x 20 Foam-Filled Non-Marking Right Side	D
3	1001118651	2	Tire and Wheel Assembly - 9 x 20 Foam-Filled Non-Marking Left Side	D
		Ref	Note: Assemblies may require ballast/foam filling to manufacturer's specifications prior to installing on a machine. Refer to Operation and Safety or Service and Maintenance Manuals. Purchase individual tire and/or rim only if able to foam fill tire and wheel assembly, otherwise, purchase complete assembly.	
101	4640113	4	Valve, Air	
102	1001118660	4	Tire - IN265/50D20 Non-Marking	
103	1001117129	4	Rim for 20 x 9 (Use with IN265/50D20 Tires)	

SECTION 1 - FRAME

FIGURE 1-12. TIRE AND WHEEL INSTALLATION - 9X20 PNEUMATIC



ART_1001118640

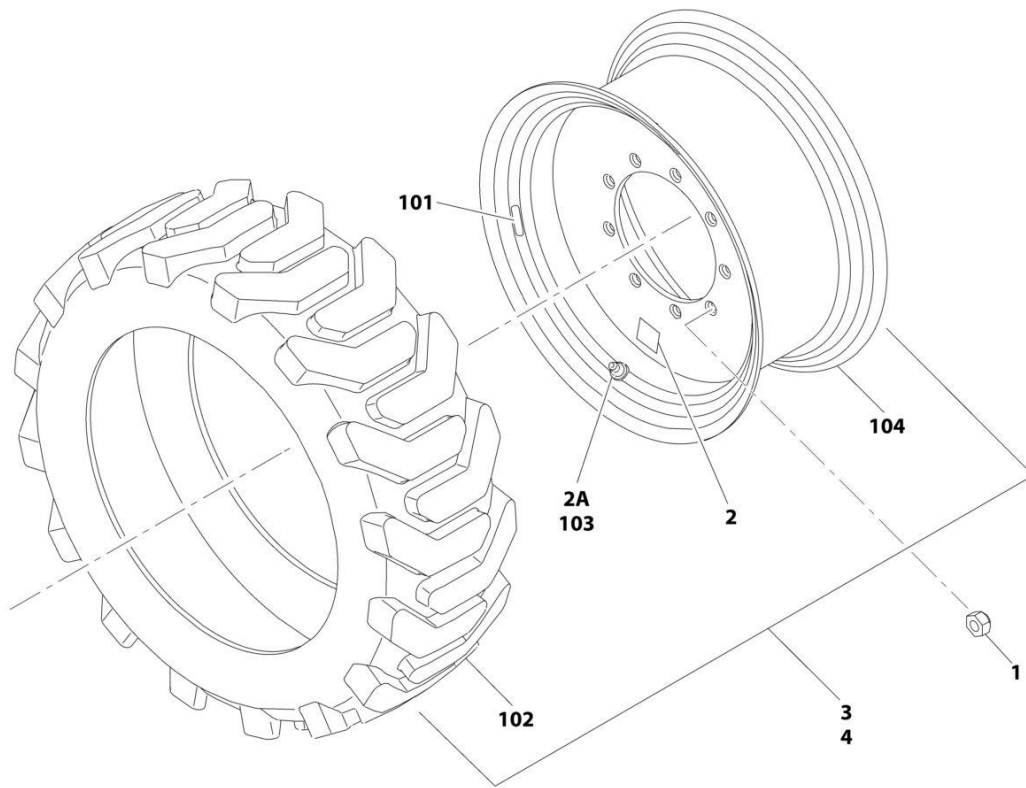
SECTION 1 - FRAME

FIGURE 1-12. TIRE AND WHEEL INSTALLATION - 9X20 PNEUMATIC

ITEM	PART NUMBER	QTY	DESCRIPTION	REV
	1001118640	Ref	TIRE AND WHEEL INSTALLATION - 9X20 PNEUMATIC	A
		Ref	Note: Due to critical stability weights, only replace tire and wheel assemblies with like components.	
1	3300106	36	Lugnut (9 per Wheel)	
2	1001118647	2	Tire and Wheel Assembly - 9 x 20 Pneumatic Right Side	B
3	1001118648	2	Tire and Wheel Assembly - 9 x 20 Pneumatic Left Side	B
101	1706846	4	Decal - 75PSI	
102	4520605	4	Tire - IN265/50D20	
103	4640113	4	Valve, Air	
104	1001117129	4	Rim for 20 x 9 (Use with IN265/50D20 Tires)	

SECTION 1 - FRAME

FIGURE 1-13. TIRE AND WHEEL INSTALLATION - 9X20 PNEUMATIC WITH TIRE SEALANT



ART_1001120027

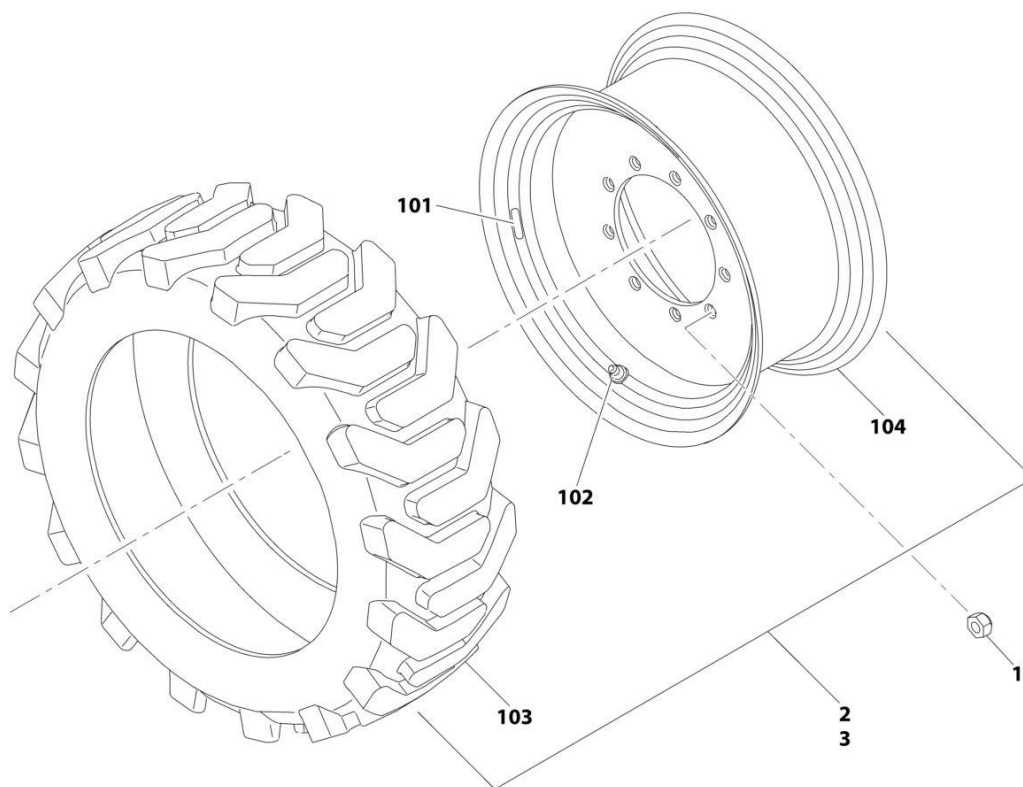
SECTION 1 - FRAME

FIGURE 1-13. TIRE AND WHEEL INSTALLATION - 9X20 PNEUMATIC WITH TIRE SEALANT

ITEM	PART NUMBER	QTY	DESCRIPTION	REV
	1001120027	Ref	TIRE AND WHEEL INSTALLATION - 9X20 PNEUMATIC WITH TIRE SEALANT	B
		Ref	Note: Due to critical stability weights, only replace tire and wheel assemblies with like components.	
1	3300106	36	Lugnut (9 per Wheel)	
2	2902203	1	Decal Kit - Required on Tires with Sealant (Includes qty 5 Decals and qty 4 Green Valve Stem Caps)	
2A	1120552	1	Cap, Valve Stem (Green) (Tires with Sealant Only)	
3	1001118647	2	Tire and Wheel Assembly - 9 x 20 Pneumatic Right Side	B
4	1001118648	2	Tire and Wheel Assembly - 9 x 20 Pneumatic Left Side	B
101	1706846	4	Decal - 75PSI	
102	4520605	4	Tire - IN265/50D20	
103	4640113	4	Valve, Air	
104	1001117129	4	Rim for 20 x 9 (Use with IN265/50D20 Tires)	

SECTION 1 - FRAME

FIGURE 1-14. TIRE AND WHEEL INSTALLATION - 9X20 PNEUMATIC NON-MARKING



ART_1001118643

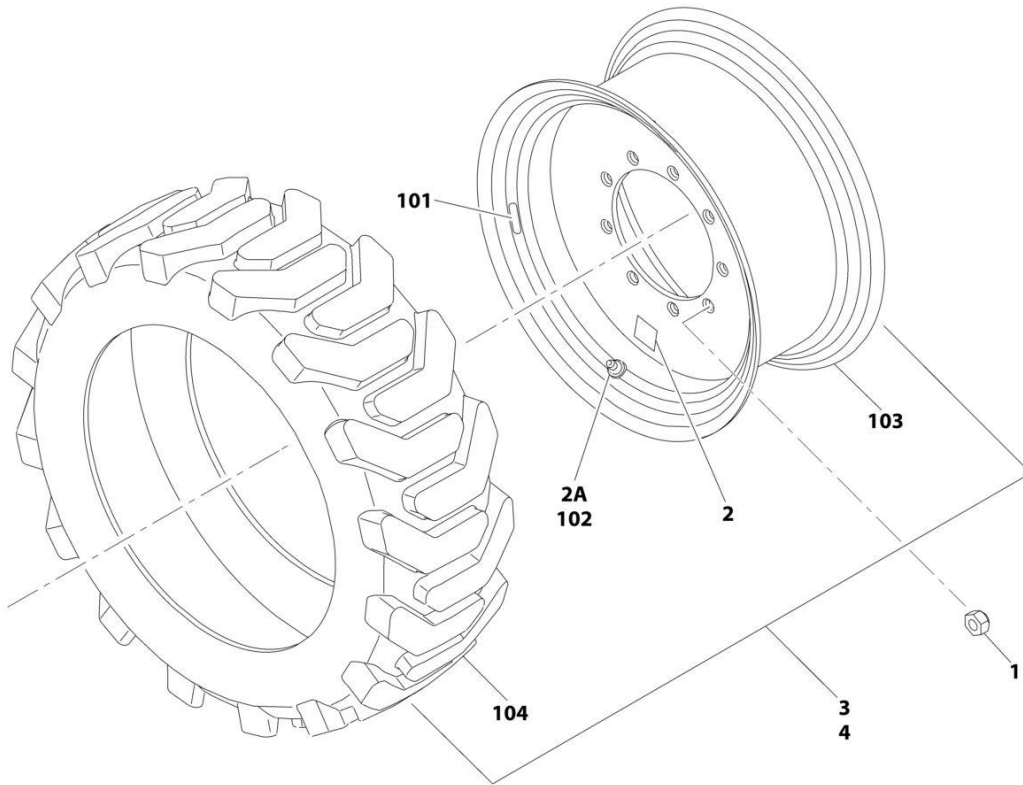
SECTION 1 - FRAME

FIGURE 1-14. TIRE AND WHEEL INSTALLATION - 9X20 PNEUMATIC NON-MARKING

ITEM	PART NUMBER	QTY	DESCRIPTION	REV
	1001118643	Ref	TIRE AND WHEEL INSTALLATION - 9X20 PNEUMATIC NON-MARKING	B
		Ref	Note: Due to critical stability weights, only replace tire and wheel assemblies with like components.	
1	3300106	36	Lugnut (9 per Wheel)	
2	1001118652	2	Tire and Wheel Assembly - 9 x 20 Pneumatic Non-Marking Right Side	B
3	1001118653	2	Tire and Wheel Assembly - 9 x 20 Pneumatic Non-Marking Left Side	B
101	1706846	4	Decal - 75PSI	
102	4640113	4	Valve, Air	
103	1001117129	4	Rim for 20 x 9 (Use with IN265/50D20 Tires)	
104	1001118660	4	Tire - IN265/50D20 Non-Marking	

SECTION 1 - FRAME

FIGURE 1-15. TIRE AND WHEEL INSTALLATION - 9X20 PNEUMATIC NON-MARKING WITH TIRE SEALANT



ART_1001120036

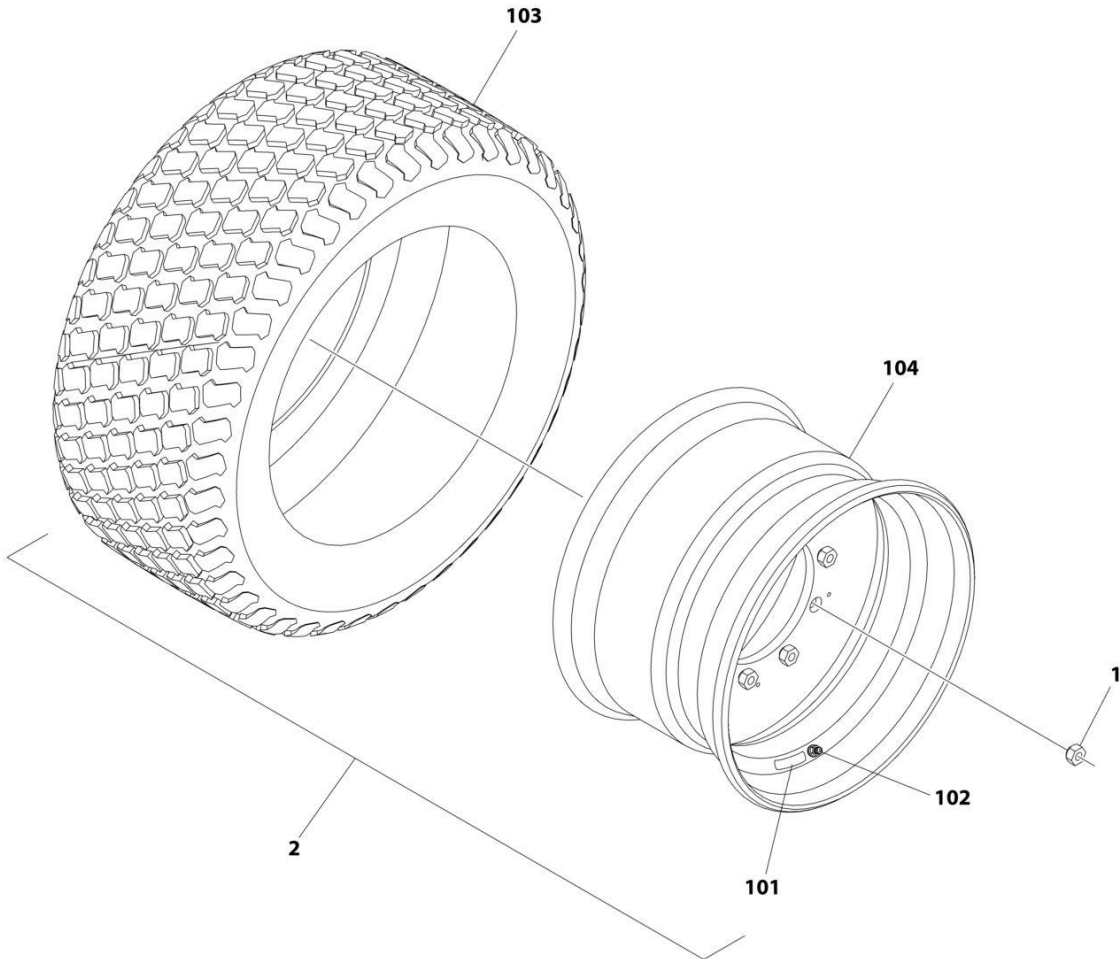
SECTION 1 - FRAME

FIGURE 1-15. TIRE AND WHEEL INSTALLATION - 9X20 PNEUMATIC NON-MARKING WITH TIRE SEALANT

ITEM	PART NUMBER	QTY	DESCRIPTION	REV
	1001120036	Ref	TIRE AND WHEEL INSTALLATION - 9X20 PNEUMATIC NON-MARKING WITH TIRE SEALANT	B
		Ref	Note: Due to critical stability weights, only replace tire and wheel assemblies with like components.	
1	3300106	36	Lugnut (9 per Wheel)	
2	2902203	1	Decal Kit - Required on Tires with Sealant (Includes qty 5 Decals and qty 4 Green Valve Stem Caps)	
2A	1120552	1	Cap, Valve Stem (Green) (Tires with Sealant Only)	
3	1001118652	2	Tire and Wheel Assembly - 9 x 20 Pneumatic Non-Marking Right Side	A
4	1001118653	2	Tire and Wheel Assembly - 9 x 20 Pneumatic Non-Marking Left Side	A
101	1706846	4	Decal - 75PSI	
102	4640113	4	Valve, Air	
103	1001117129	4	Rim for 20 x 9 (Use with IN265/50D20 Tires)	
104	1001118660	4	Tire - IN265/50D20 Non-Marking	

SECTION 1 - FRAME

FIGURE 1-16. TIRE AND WHEEL INSTALLATION - 33 X 12LL500 TURF/SAND PNEUMATIC



ART_1001231653

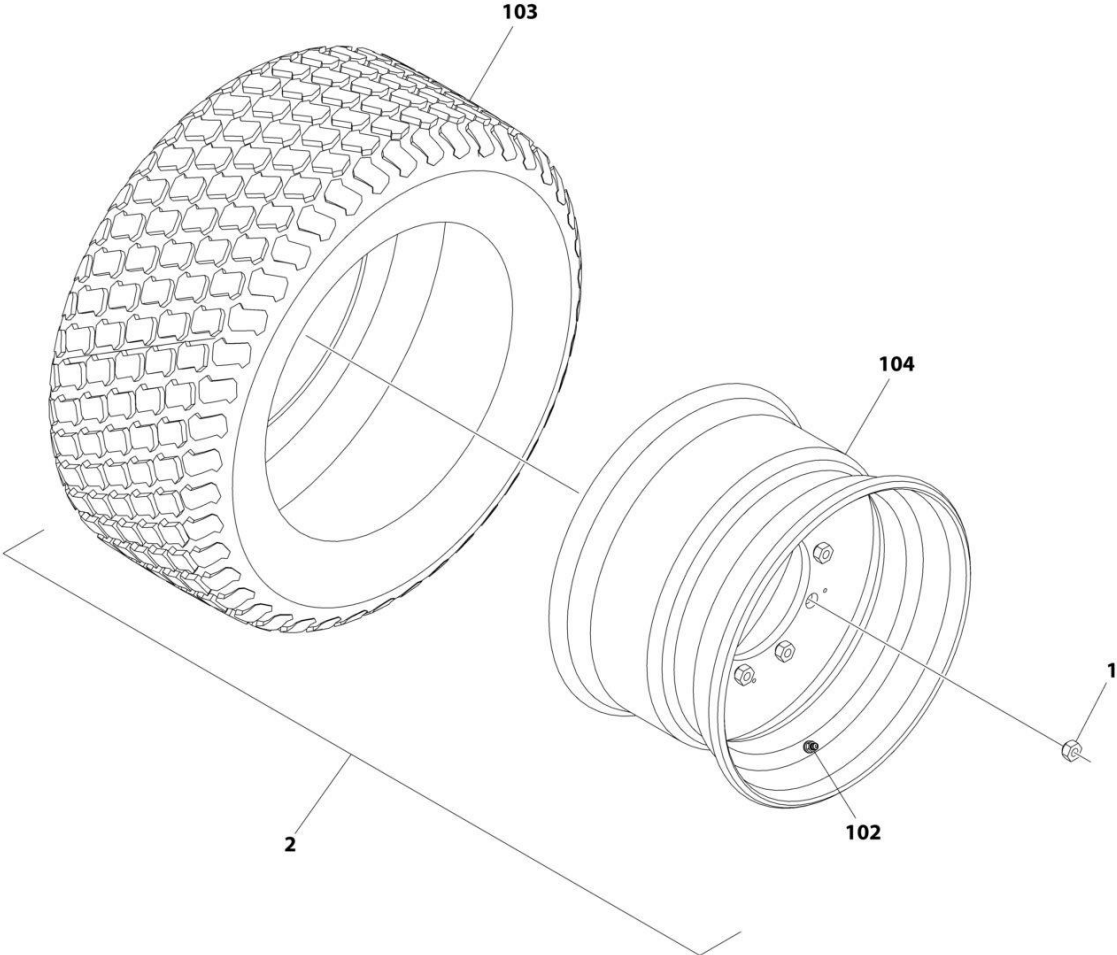
SECTION 1 - FRAME

FIGURE 1-16. TIRE AND WHEEL INSTALLATION - 33 X 12LL500 TURF/SAND PNEUMATIC

ITEM	PART NUMBER	QTY	DESCRIPTION	REV
	1001231653	Ref	TIRE AND WHEEL INSTALLATION - 33 x 12LL500 TURF/SAND PNEUMATIC	A
1	3300106	36	Nut, Wheel	
2	1001231611	4	Tire & Wheel Assembly - 33 X 12LL500 TURF/SAND	
101	1706846	4	Decal - Tire Pressure	
102	4640113	4	Valve, Tire	
103	1001231609	1	Tire, 33 X 12LL500 TURF/SAND	
104	1001231610	1	Rim	

SECTION 1 - FRAME

FIGURE 1-17. TIRE AND WHEEL INSTALLATION - 33 X 12LL500 TURF/SAND FOAM FILLED



ART_1001239804

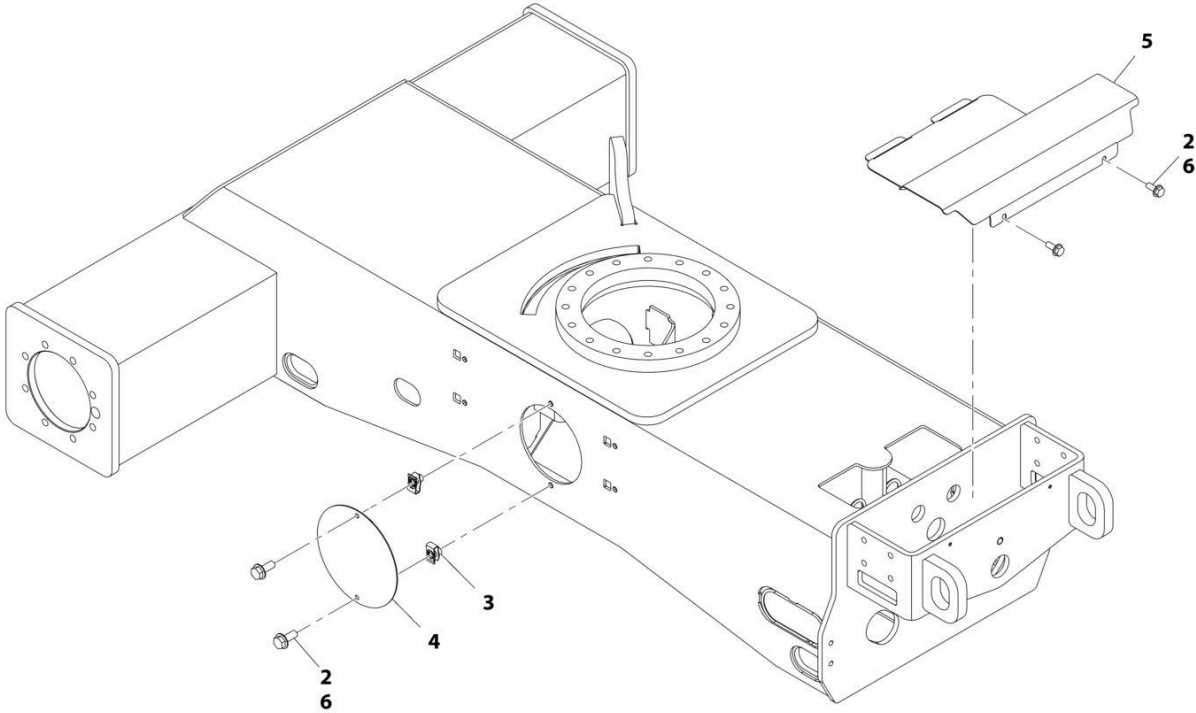
SECTION 1 - FRAME

FIGURE 1-17. TIRE AND WHEEL INSTALLATION - 33 X 12LL500 TURF/SAND FOAM FILLED

ITEM	PART NUMBER	QTY	DESCRIPTION	REV
	1001239804	Ref	TIRE AND WHEEL INSTALLATION - 33 x 12LL500 TURF/SAND FOAM FILLED	A
1	3300106	36	Nut, Wheel	
2	1001239803	4	Tire & Wheel Assembly - 33 X 12LL500 TURF/SAND	
		Ref	Note: Assemblies may require ballast/foam filling to manufacture's specifications prior to installing on a machine. Refer to Operation and Safety or Service and Maintenance Manuals. Purchase individual tire and/or rim only if able to foam fill tire and wheel assembly, otherwise, purchase complete assembly.	
102	4640113	4	Valve, Tire	
103	1001231609	1	Tire, 33 X 12LL500 TURF/SAND	
104	1001231610	1	Rim	

SECTION 1 - FRAME

FIGURE 1-18. FRAME SHIELDS INSTALLATION



ART_1001115781

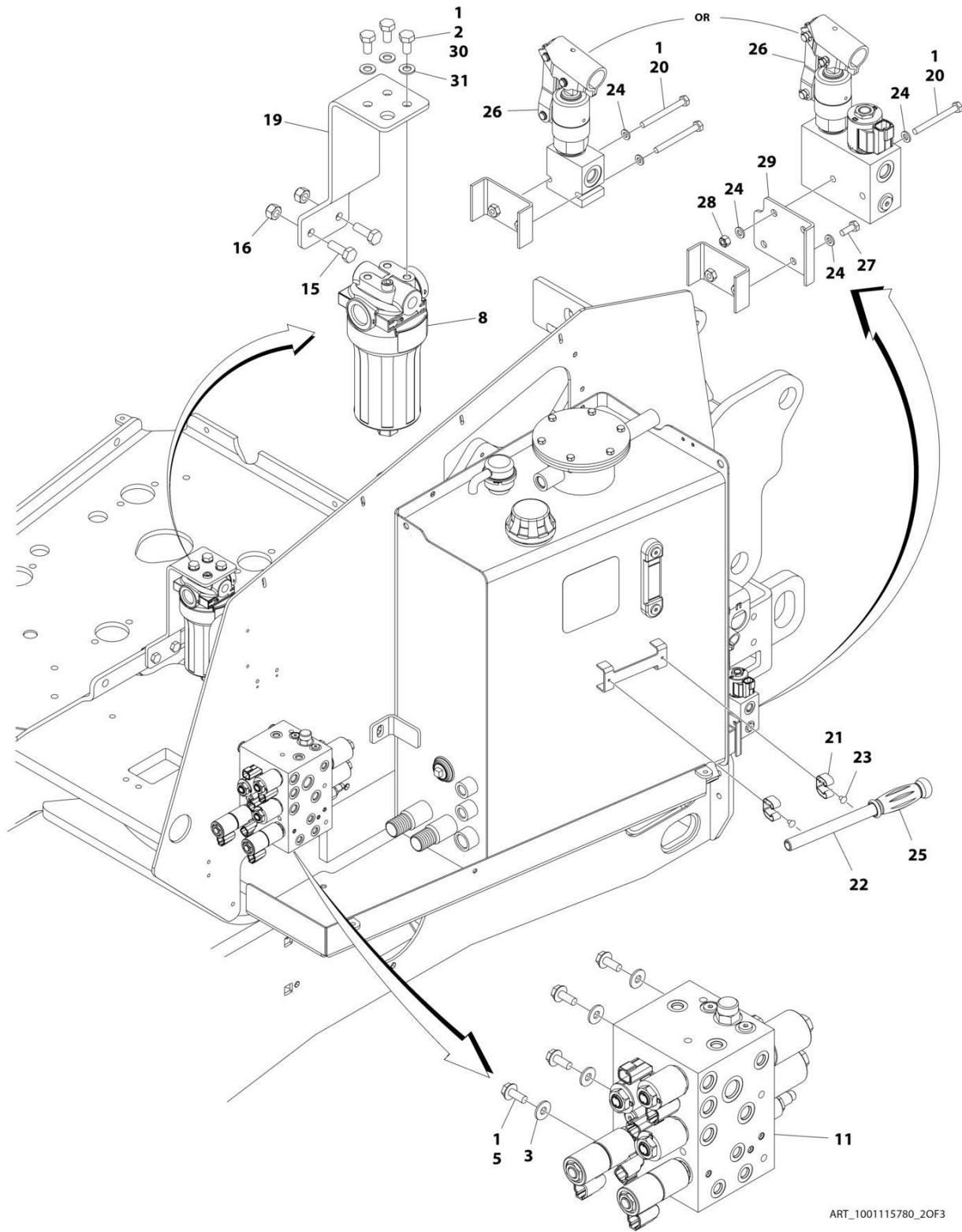
FIGURE 1-18. FRAME SHIELDS INSTALLATION

ITEM	PART NUMBER	QTY	DESCRIPTION	REV
	1001115781	Ref	FRAME SHIELDS INSTALLATION	C
2	5250810	6	Bolt M8 x 20	
3	1001118274	4	Nut, Clip M8	
4	1001118915	2	Cover, Frame (Side)	
5	1001118916	1	Cover, Frame (Top)	
6	0100011	AR	Compound, Locking	

SECTION 2 - TURNTABLE

SECTION 2 - TURNTABLE

FIGURE 2-1. CONTROL VALVE AND CHARGE FILTER INSTALLATION - TURNTABLE



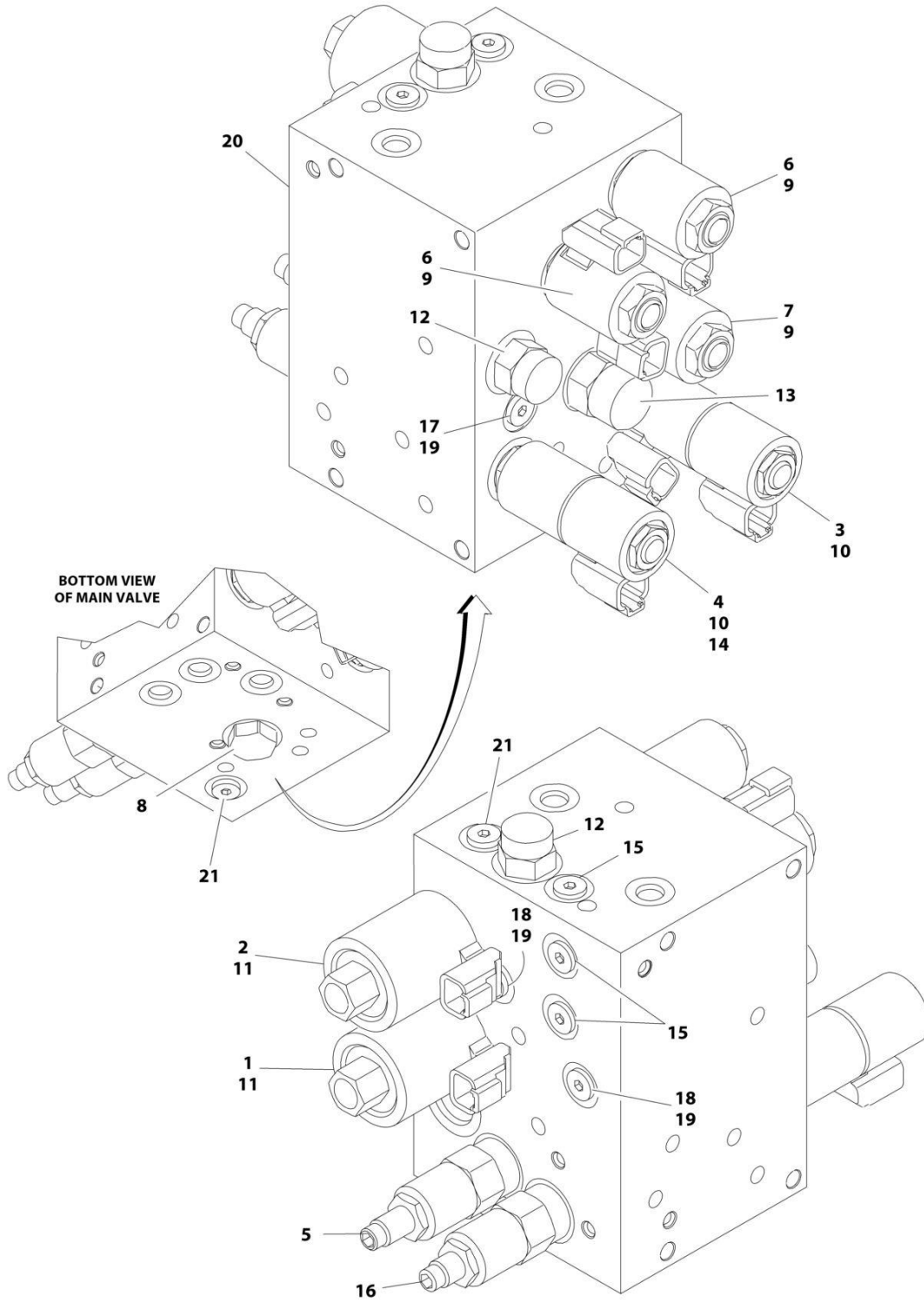
SECTION 2 - TURNTABLE

FIGURE 2-1. CONTROL VALVE AND CHARGE FILTER INSTALLATION - TURNTABLE

ITEM	PART NUMBER	QTY	DESCRIPTION	REV
	1001115780	Ref	CONTROL VALVE AND CHARGE FILTER INSTALLATION - TURNTABLE	H
1	0100011	AR	Compound, Locking	
2	0641605	4	Bolt 3/8-16 x 5/8 (Prior to SN 0300237174)	
3	4811902	4	Washer M8	
5	5250810	4	Bolt M8 x 20	
8	1001102987	1	Charge Pump Filter Assembly (Prior to SN 0300237174)	C
8	1001208874	1	Charge Pump Filter Assembly (SN 0300237174 to Present)	
8	70010383	1	Element, Filter (Includes O-Ring)	
8	See Note	1	Indicator (Note: Not Available for Purchase)	
11	1001116487	1	Main Control Valve Assembly (See MAIN CONTROL VALVE ASSEMBLY for Breakdown)	
15	0761014	2	Bolt M10 x 30	
16	3291005	2	Nut M10	
19	1001118751	1	Bracket, Filter	
20	0700620	2	Bolt M6 x 60	
21	1380136	2	Clip	
22	2560122	1	Handle	
23	3820019	2	Rivet	
24	4811700	6	Washer M6	
25	1001114761	1	Grip, Handle	
26	1001127115	1	Manual Pump Assembly (SN 0300200802 through 0300223168)	C
26	7017496	1	Seal Kit - 1001127115 Pump (SN 0300200802 through 0300223168)	
26	1001210829	1	Manual Pump Assembly (SN 0300223169 to Present)	
26	70005722	1	Cartridge, Hand Pump	
26	7017496	1	Seal Kit - Hand Pump	
26	7017467	1	Cartridge, Solenoid Valve Less Coil	
26	7012967	1	Seal Kit - Cartridge	
26	70002386	1	Coil	
27	0700608	2	Bolt M6 x 16 (SN 0300223169 to Present)	
28	3290605	2	Nut M6 (SN 0300223169 to Present)	
29	1001200472	1	Bracket (SN 0300223169 to Present)	
30	0761010	AR	Bolt M10 x 20 (SN 0300237174 to Present)	
31	4812000	AR	Washer M10 (SN 0300237174 to Present)	

SECTION 2 - TURNTABLE

FIGURE 2-2. MAIN CONTROL VALVE ASSEMBLY



ART_1001116487

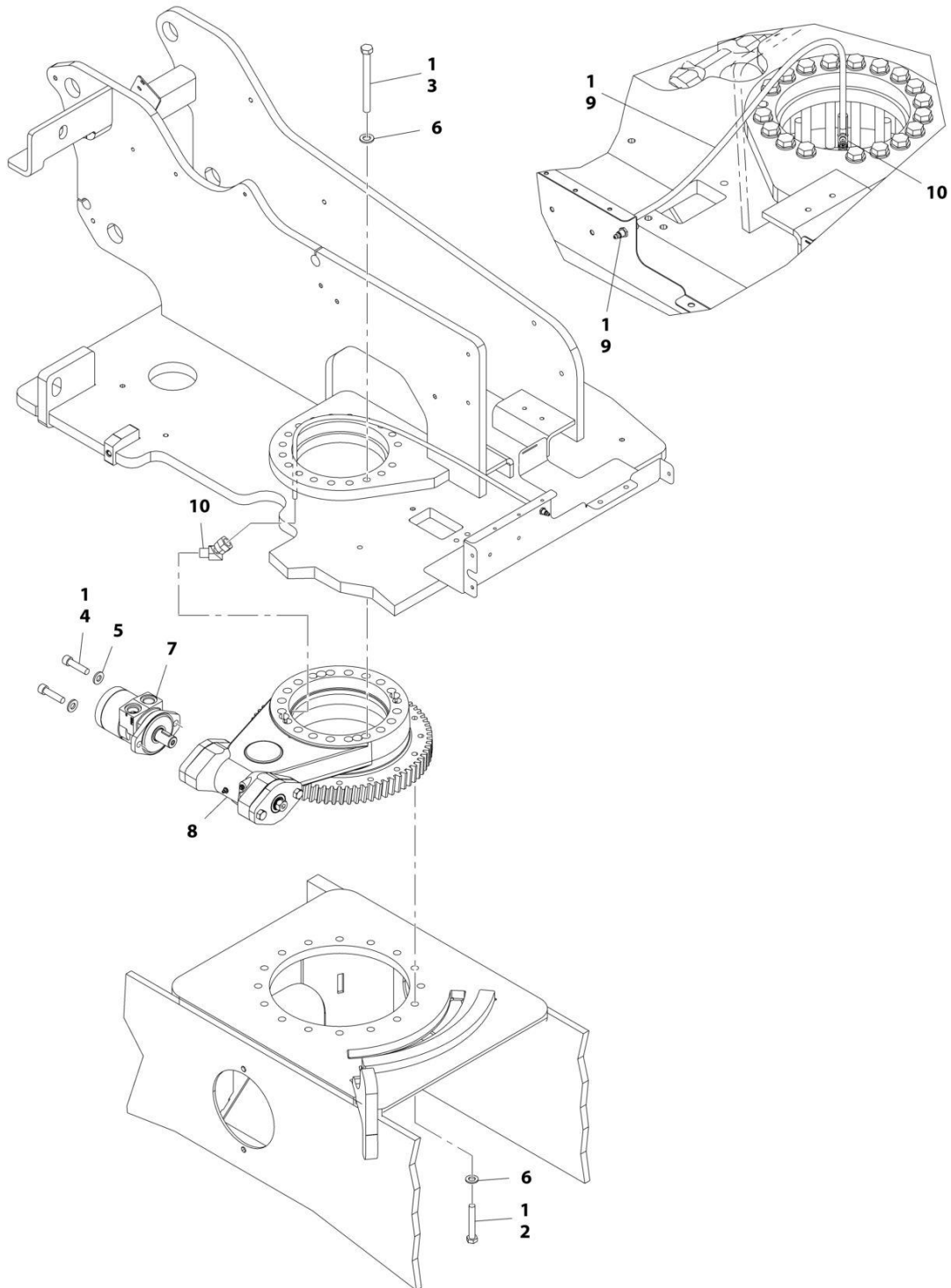
SECTION 2 - TURNTABLE

FIGURE 2-2. MAIN CONTROL VALVE ASSEMBLY

ITEM	PART NUMBER	QTY	DESCRIPTION	REV
	1001116487	Ref	MAIN CONTROL VALVE ASSEMBLY	J
1	70002964	1	Cartridge, Solenoid Valve with Relief (Without Coil)	
1	7017496	1	Seal Kit - 70002964 Cartridge	
2	70002965	1	Cartridge, Solenoid Valve with Relief (Without Coil)	
2	7017496	1	Seal Kit - 70002965 Cartridge	
3	70002966	1	Cartridge, Solenoid Valve (Without Coil) (Swing)	
3	70002967	1	Seal Kit - 70002966 Cartridge	
4	70002966	1	Cartridge, Solenoid Valve (Without Coil) (Steer)	
4	70002967	1	Seal Kit - 70002966 Cartridge	
5	70002968	1	Cartridge, Relief Valve	
5	7012998	1	Seal Kit - 70002968 Cartridge	
6	70002969	2	Cartridge, Solenoid Valve (Without Coil) (Upper and Lower Lift)	
6	7010543	2	Seal Kit - 70002969 Cartridge	
7	70002970	1	Cartridge, Solenoid Valve (Without Coil) (Flow Control)	
7	7010543	1	Seal Kit - 70002970 Cartridge	
8	10837580	1	Cartridge, Shuttle Valve	
8	7010543	1	Seal Kit - 10837580 Cartridge	
9	70002971	3	Coil	
10	70002386	4	Coil	
11	70003788	2	Coil	
12	70002972	2	Cartridge, Pressure Compensator Valve	
12	7010543	2	Seal Kit - 70002972 Cartridge	
13	70002973	1	Cartridge, Pressure Compensator Valve	
13	7010543	1	Seal Kit - 70002973 Cartridge	
14	70002974	1	Disc, Check Valve	
15	70003757	3	Cartridge, Check Valve	
15	70002976	3	Seal Kit - 70003757 Cartridges	
16	70002977	1	Cartridge, Crossover Relief	
16	7021653	1	Seal Kit - 70002977 Cartridge	
17	See Note	1	Orifice .060 (Note: Not Available for Purchase)	
18	See Note	2	Orifice .100 (Note: Not Available for Purchase)	
19	7017406	3	Plug (Use p/n 2220883)	
20	See Note	1	Block (Note: Not Available for Purchase)	
21	91164059	2	Plug	

SECTION 2 - TURNTABLE

FIGURE 2-3. SWING DRIVE INSTALLATION (DOHI)



ART_1001115774

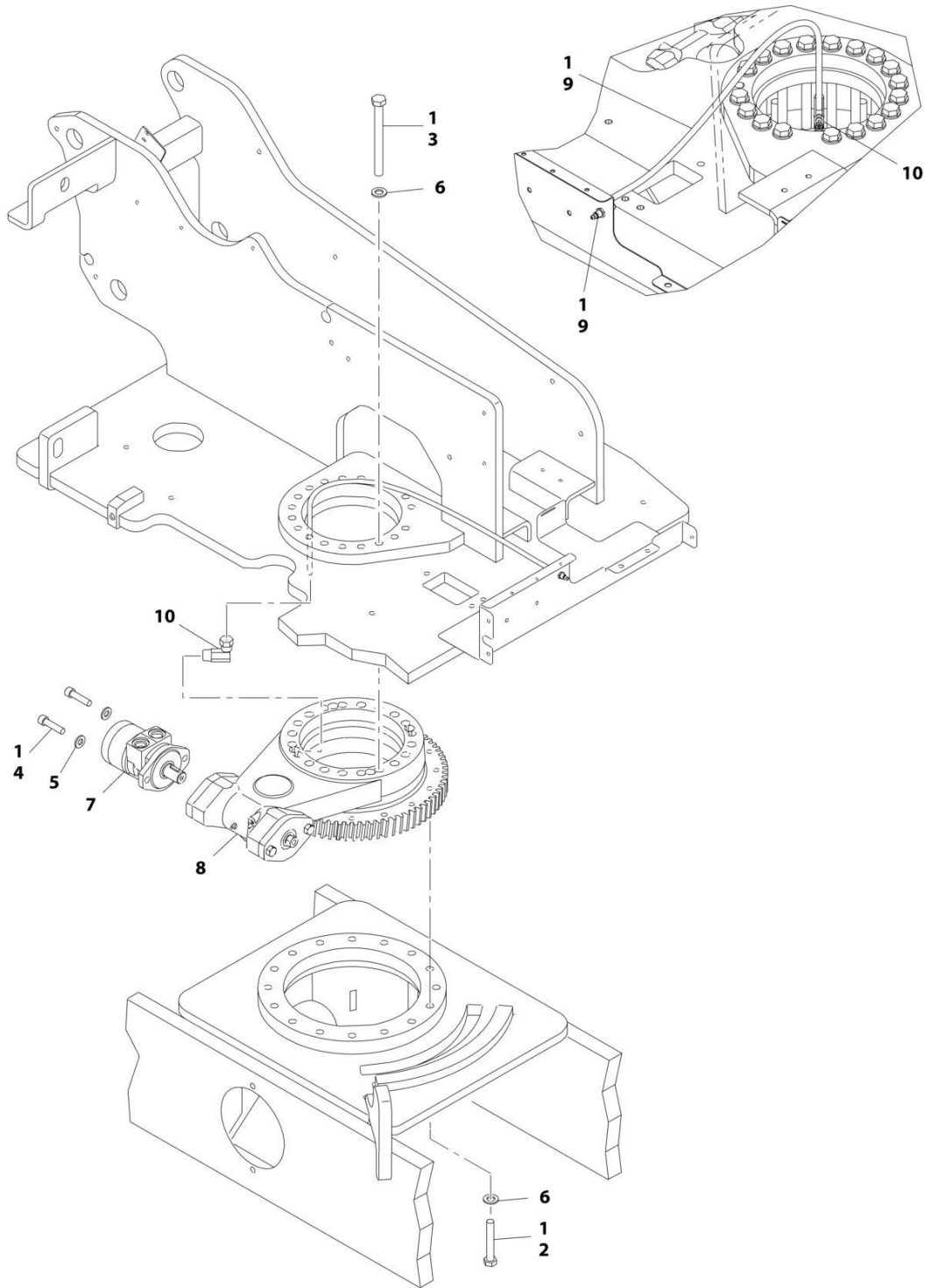
SECTION 2 - TURNTABLE

FIGURE 2-3. SWING DRIVE INSTALLATION (DOHI)

ITEM	PART NUMBER	QTY	DESCRIPTION	REV
	1001115774	Ref	SWING DRIVE INSTALLATION (DOHI)	C
1	0100019	AR	Compound, Locking	
2	0711426	16	Bolt M14 x 90 Grade 10.9	
3	0711432	19	Bolt M14 x 150 Grade 10.9	
4	3931832	2	Capscrew 1/2-13 x 2	
5	4740171	2	Washer 1/2	
6	5241400	35	Washer M14	
7	1001107781	1	Swing Motor Assembly (See Separate Breakdown in this Section)	
8	1001117145	1	Swing Bearing and Rotation Box Assembly	
9	1001118961	1	Hose, Remote Grease Line (Includes Grease Fitting)	
10	2220124	1	Fitting, Adapter NPT	

SECTION 2 - TURNTABLE

FIGURE 2-4. SWING DRIVE INSTALLATION (JING WEI)



ART_1001153364

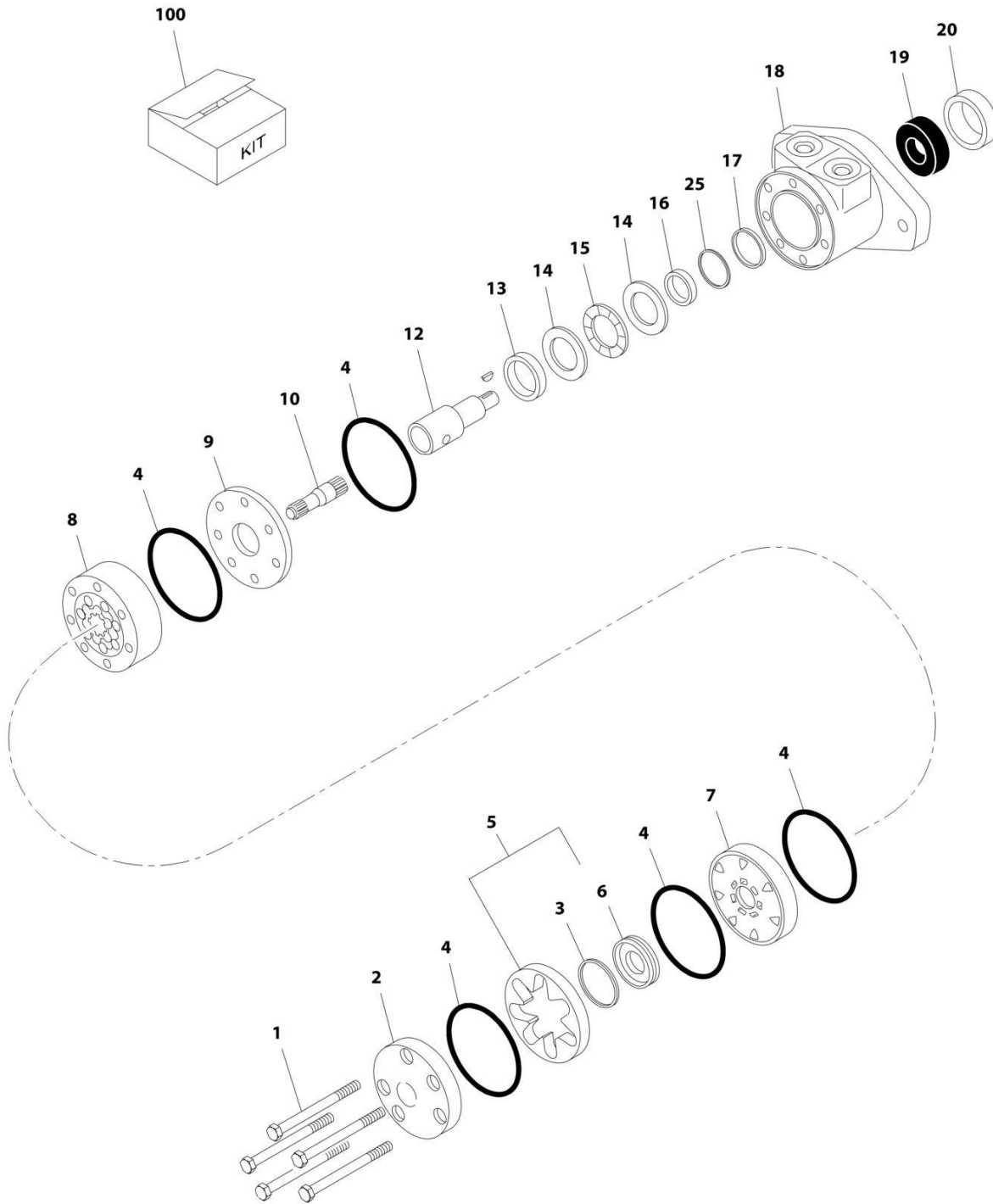
SECTION 2 - TURNTABLE

FIGURE 2-4. SWING DRIVE INSTALLATION (JING WEI)

ITEM	PART NUMBER	QTY	DESCRIPTION	REV
	1001153364	Ref	SWING DRIVE INSTALLATION (JING WEI)	C
1	0100019	AR	Compound, Locking	
2	0711426	16	Bolt M14 x 90 Grade 10.9	
3	0711432	19	Bolt M14 x 150 Grade 10.9	
4	3931832	2	Capscrew 1/2-13 x 2	
5	4740171	2	Washer 1/2	
6	5241400	2	Washer M14	
7	1001107781	1	Swing Motor Assembly (See SWING MOTOR ASSEMBLY for Breakdown)	
8	1001153015	1	Swing Bearing and Rotation Box Assembly (See SWING BEARING ASSEMBLY for Breakdown)	
9	1001118961	1	Hose, Remote Grease Line (Includes Grease Fitting)	
10	2220124	1	Fitting, Swivel Adapter	

SECTION 2 - TURNTABLE

FIGURE 2-5. SWING MOTOR ASSEMBLY



ART_1001107781

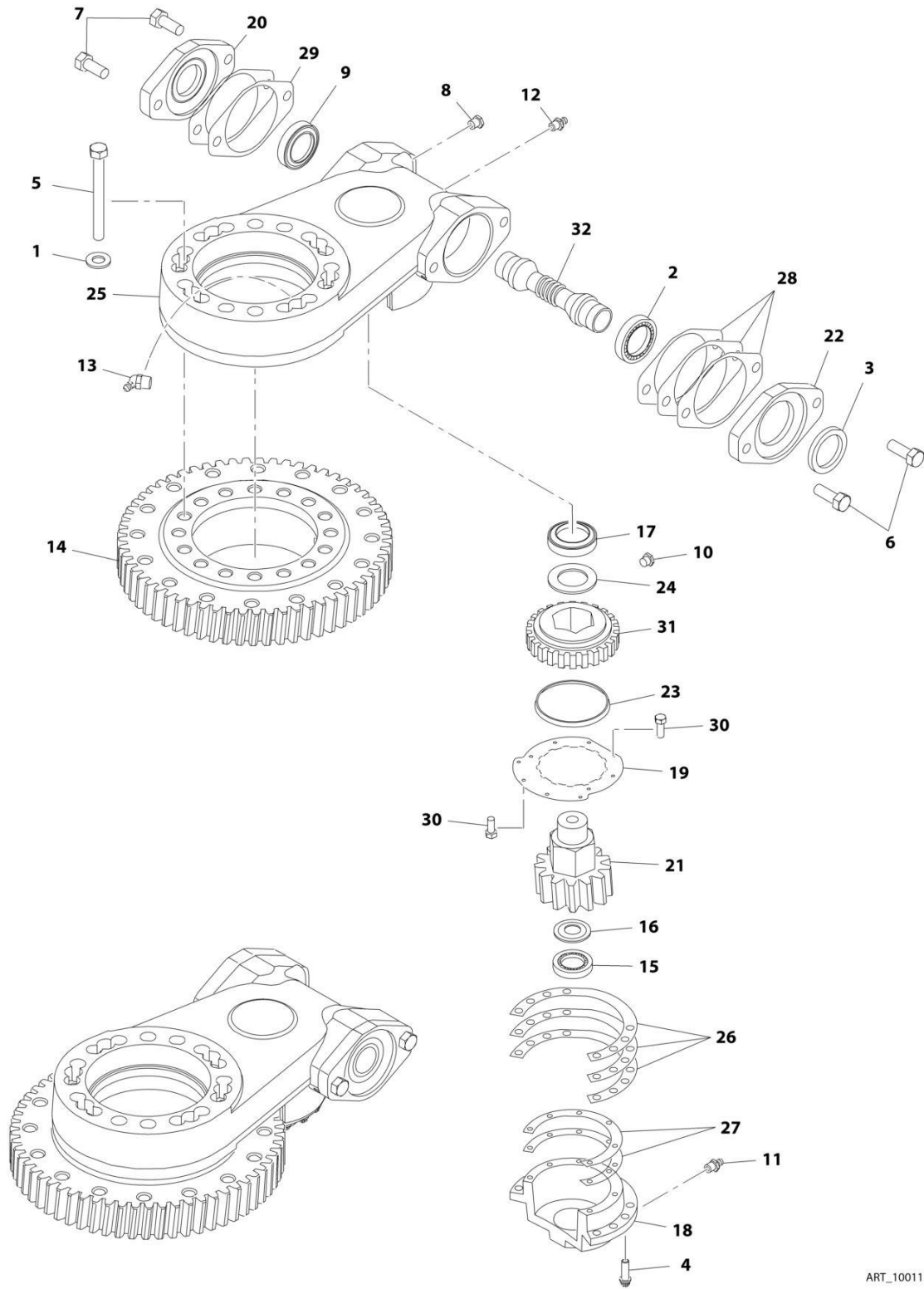
SECTION 2 - TURNTABLE

FIGURE 2-5. SWING MOTOR ASSEMBLY

ITEM	PART NUMBER	QTY	DESCRIPTION	REV
	1001107781	Ref	SWING MOTOR ASSEMBLY	A
1	70002311	5	Bolt	
2	7004035	1	Cover, End	
3	See Note	NSS	Seal, Commutator (Note: Use Item 100)	
4	See Note	NSS	Seal, Ring (Note: Use Item 100)	
5	7024453	1	Commutator and Ring Assembly	
6	See Note	1	Ring (Note: Use Item 5)	
7	7024379	1	Manifold	
8	70002312	1	Rotor Set	
9	7024380	1	Plate, Wear	
10	70002313	1	Link, Drive	
12	70000088	1	Shaft, Coupling	
12	70000089	1	Key, Woodruff	
13	7024381	1	Bushing, Bronze	
14	7004043	2	Washer, Thrust	
15	7004044	1	Bearing, Thrust	
16	See Note	NSS	Seal, Inner (Note: Use Item 100)	
17	See Note	NSS	Washer, Back-up (Note: Use Item 100)	
18	See Note	NSS	Housing (Note: Not Available - Purchase Complete Assembly)	
19	7024390	1	Bearing	
20	See Note	NSS	Seal (Note: Use Item 100)	
25	See Note	NSS	Washer, Back-up (Note: Use Item 100)	
100	7024389	1	Seal Kit (Includes Items 3, 4, 16, 17, 20 & 25)	

SECTION 2 - TURNTABLE

FIGURE 2-6. SWING BEARING ASSEMBLY



ART_1001153015

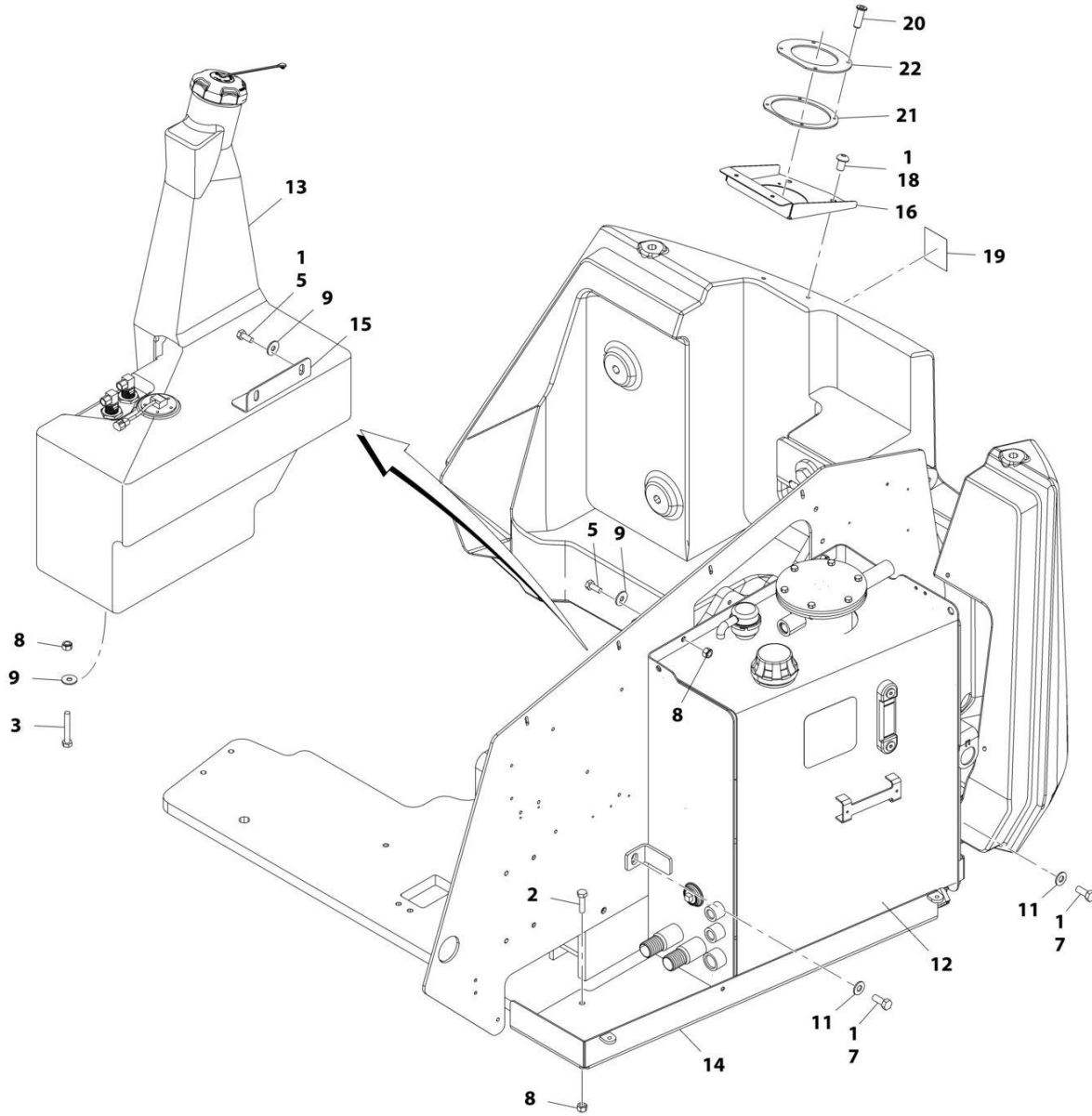
SECTION 2 - TURNTABLE

FIGURE 2-6. SWING BEARING ASSEMBLY

ITEM	PART NUMBER	QTY	DESCRIPTION	REV
	1001153015	Ref	SWING BEARING ASSEMBLY	B
1	7026041	2	Washer 5/16	
2	70002643	2	Cup, Bearing	
2	70002644	2	Cone, Bearing	
3	70002645	1	Seal	
4	70002646	8	Bolt 5/16-18 x 7/8	
5	70003138	2	Bolt 5/16-18 x 2-1/2	
6	70002647	2	Bolt 1/2-13 x 1	
7	70002648	2	Bolt 1/2-13 x 1-1/4	
8	70002649	1	Vent, Pressure	
9	70002650	1	Seal	
10	70003139	1	Plug 1/4	
11	70002651	1	Fitting, Grease 1/4	
12	70002652	1	Fitting, Grease 1/8 Straight	
13	7027359	1	Fitting, Grease 1/8 90	
14	1001160531	1	Turntable Bearing Kit (Includes Bearing & Hardware) (was p/n 1001143932 & 70003140)	
15	70002656	1	Cup, Bearing	
15	70002657	1	Cone, Bearing	
16	70002658	1	Ring, Grease	
17	7026048	1	Cup, Bearing	
17	7026049	1	Cone, Bearing	
18	70002659	1	Cap, Gear	
19	70003141	1	Plate, Cover	
20	70002661	1	Cap, Worm	
21	70003142	1	Pinion, Output	
22	70002663	1	Adapter, Motor	
23	70002664	1	Seal, Face	
24	7026052	1	Spacer, Washer	
25	See Note	1	Housing (Note: Not Available - Purchase Complete Assembly)	
26	70002665	1	Shim .0075 Natural	
26	70002666	1	Shim .005 Blue	
26	70002667	1	Shim .003 Green	
27	70002668	1	Shim .005 Blue	
27	70002669	1	Shim .020 Yellow	
28	7027352	1	Gasket .010 Brown	
28	7027351	1	Gasket .0075 Clear	
28	7027350	1	Gasket .005 Blue	
29	7027353	1	Gasket .020 Yellow	
30	70000681	10	Bolt #6-32 x 3/8	
31	70002670	1	Gear, Worm	
32	70002671	1	Shaft, Worm	

SECTION 2 - TURNTABLE

FIGURE 2-7. TANK INSTALLATION (DIESEL MACHINES)



ART_1001115769

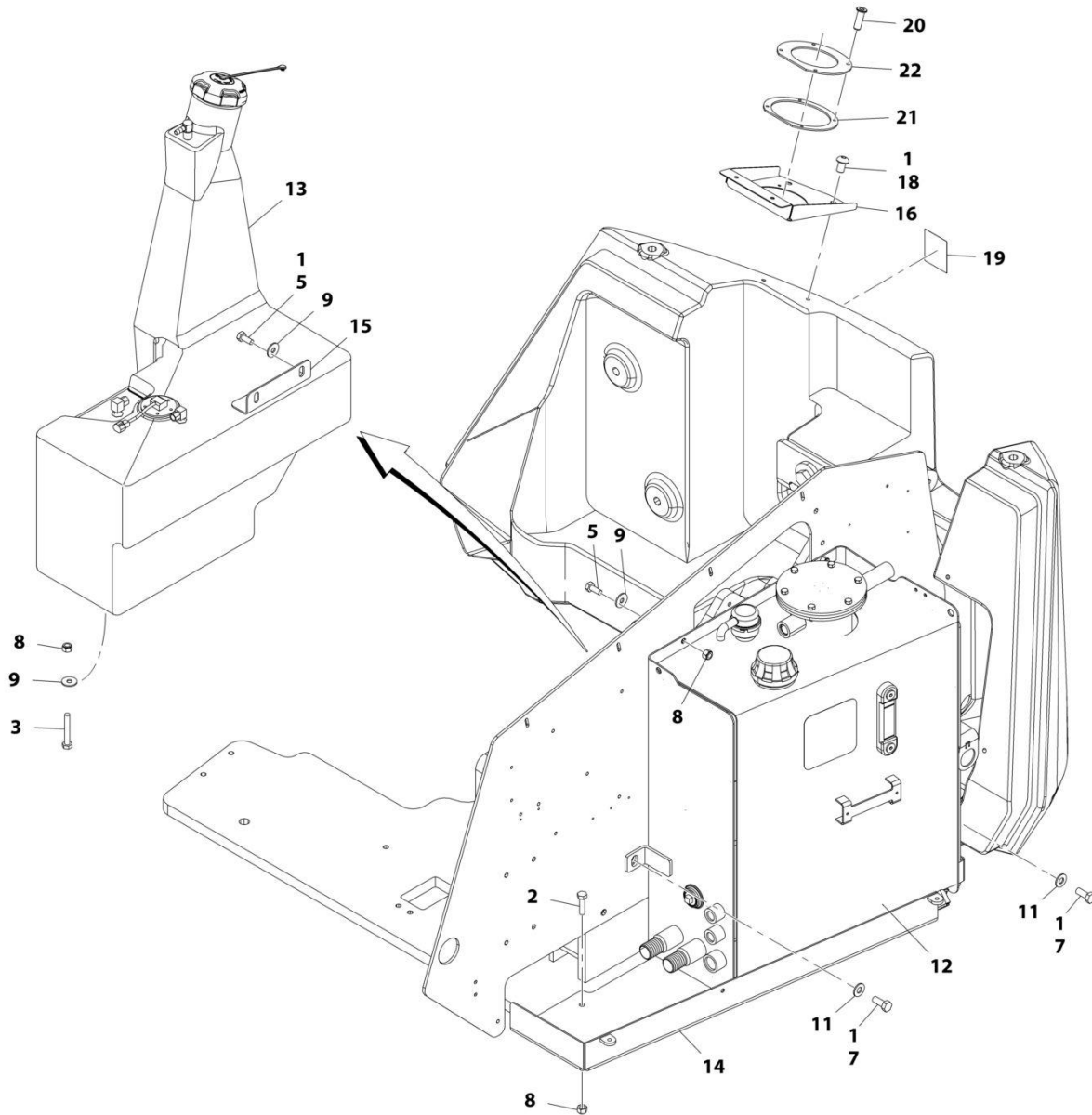
SECTION 2 - TURNTABLE

FIGURE 2-7. TANK INSTALLATION (DIESEL MACHINES)

ITEM	PART NUMBER	QTY	DESCRIPTION	REV
	1001115769	Ref	TANK INSTALLATION (DIESEL MACHINES)	E
1	0100011	AR	Compound, Locking	
2	0701016	2	Bolt M10 x 40	
3	0701022	1	Bolt M10 x 70	
5	0761012	4	Bolt M10 x 25	
7	0761214	2	Bolt M12 x 30	
8	3291005	5	Nut M10	
9	4812002	5	Washer M10	
11	4812102	2	Washer M12	
12	1001116339	1	Hydraulic Tank Assembly (See HYDRAULIC TANK ASSEMBLY for Breakdown)	
13	1001117897	1	Fuel Tank Assembly (See FUEL TANK ASSEMBLY (DIESEL MACHINES) for Breakdown)	
14	1001118502	1	Shield, Bottom Tank	
15	1001118509	1	Support, Tank	
16	1001118510	1	Shield, Tank Neck	
18	1001119527	2	Screw M10 x 16	
19	1701505	1	Decal - Diesel Fuel	
20	3820032	4	Rivet	
21	1001128781	1	Seal, Neck	
22	1001128782	1	Ring, Neck	

SECTION 2 - TURNTABLE

FIGURE 2-8. TANK INSTALLATION (GAS MACHINES)



ART_1001119102

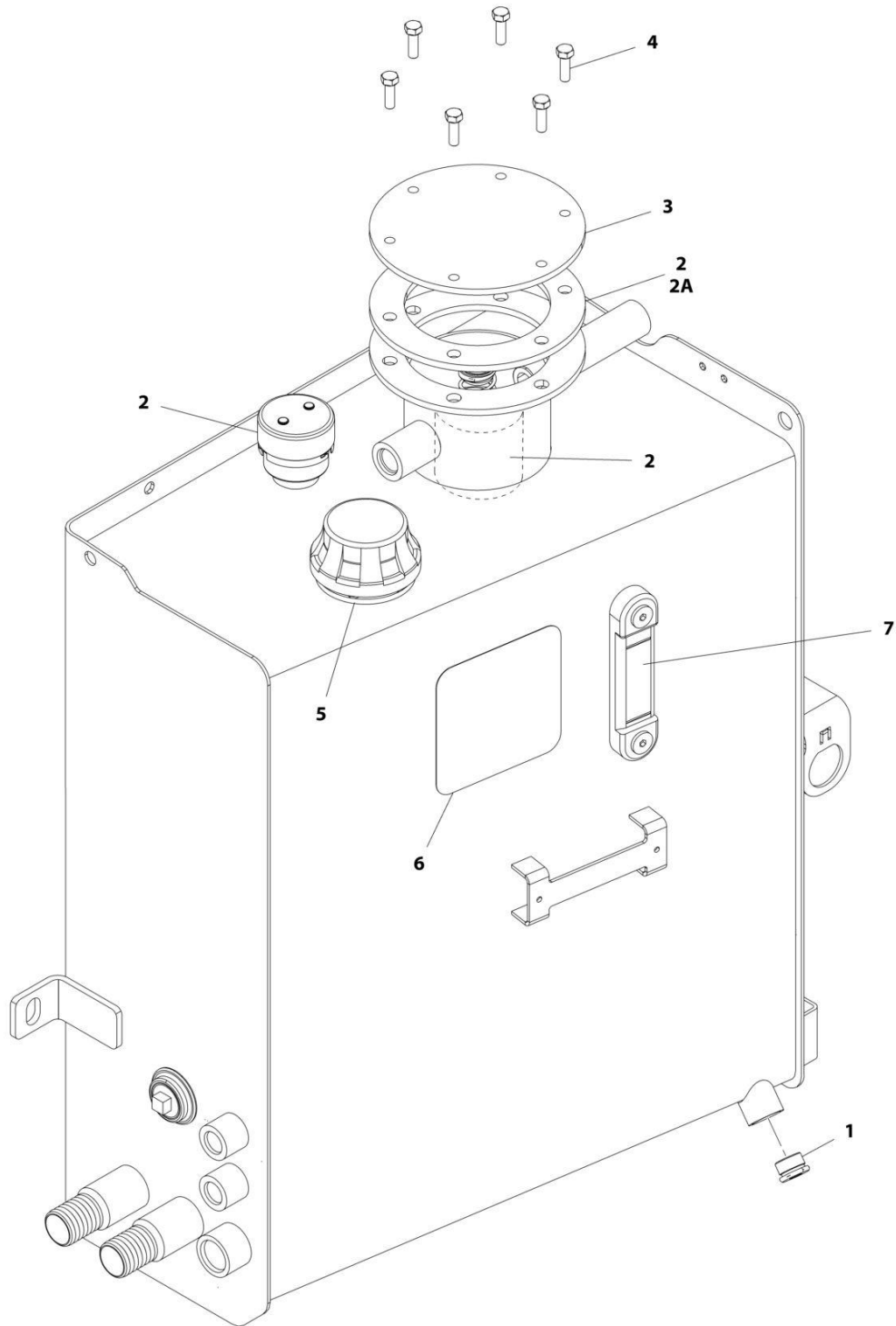
SECTION 2 - TURNTABLE

FIGURE 2-8. TANK INSTALLATION (GAS MACHINES)

ITEM	PART NUMBER	QTY	DESCRIPTION	REV
	1001119102	Ref	TANK INSTALLATION (GAS MACHINES)	F
1	0100011	AR	Compound, Locking	
2	0701016	2	Bolt M10 x 40	
3	0701022	1	Bolt M10 x 70	
5	0761012	4	Bolt M10 x 25	
7	0761214	2	Bolt M12 x 30	
8	3291005	5	Nut M10	
9	4812002	5	Washer M10	
11	4812102	2	Washer M12	
12	1001116339	1	Hydraulic Tank Assembly (See HYDRAULIC TANK ASSEMBLY for Breakdown)	
13	1001117895	NLA	Fuel Tank Assembly (Use p/n 1001211509) (See FUEL TANK ASSEMBLY (GAS MACHINES) for Breakdown) (SN 0300200802 through 0300228556)	
13	1001211509	1	Fuel Tank Assembly (See FUEL TANK ASSEMBLY (GAS MACHINES) for Breakdown) (SN 0300228557 to Present)	
14	1001118502	1	Shield, Bottom Tank	
15	1001118509	1	Support, Tank	
16	1001118510	1	Shield, Tank Neck	
18	1001119527	2	Screw M10 x 16	
19	1701542	1	Decal - Gas Fuel	
20	3820032	4	Rivet	
21	1001128781	1	Seal, Neck	
22	1001128782	1	Ring, Neck	

SECTION 2 - TURNTABLE

FIGURE 2-9. HYDRAULIC TANK ASSEMBLY



ART_1001116339

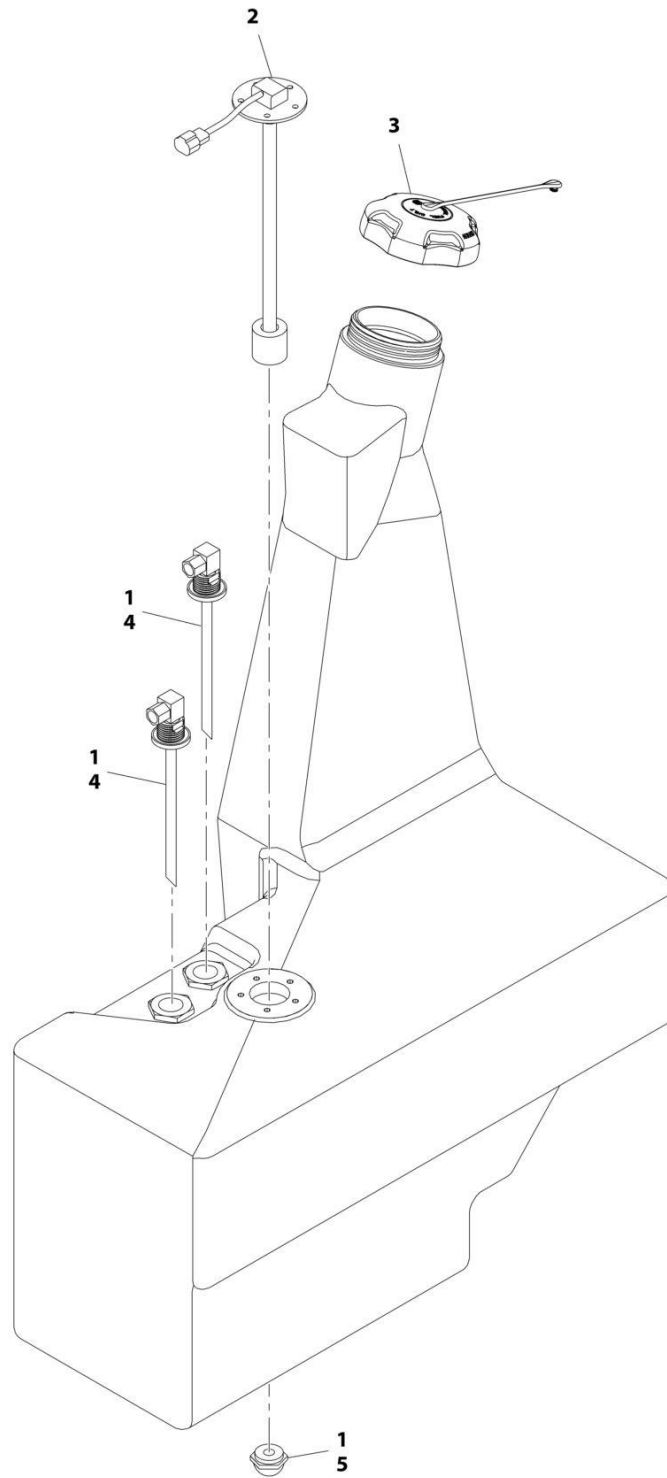
SECTION 2 - TURNTABLE

FIGURE 2-9. HYDRAULIC TANK ASSEMBLY

ITEM	PART NUMBER	QTY	DESCRIPTION	REV
	1001116339	Ref	HYDRAULIC TANK ASSEMBLY	F
1	70002112	1	Plug, Magnetic	
2	70002812	1	Hydraulic Breather/Filter Kit	
2A	70002839	1	Gasket	
3	See Note	NSS	Cover (Note: Use p/n 1001116339)	
4	See Note	NSS	Bolt (Note: Not Available - Purchase Locally)	
5	70002838	1	Cap, Fill	
6	70002840	1	Decal - Filter Replacement	
7	7024441	1	Gauge, Sight	

SECTION 2 - TURNTABLE

FIGURE 2-10. FUEL TANK ASSEMBLY (DIESEL MACHINES)



ART_1001117897

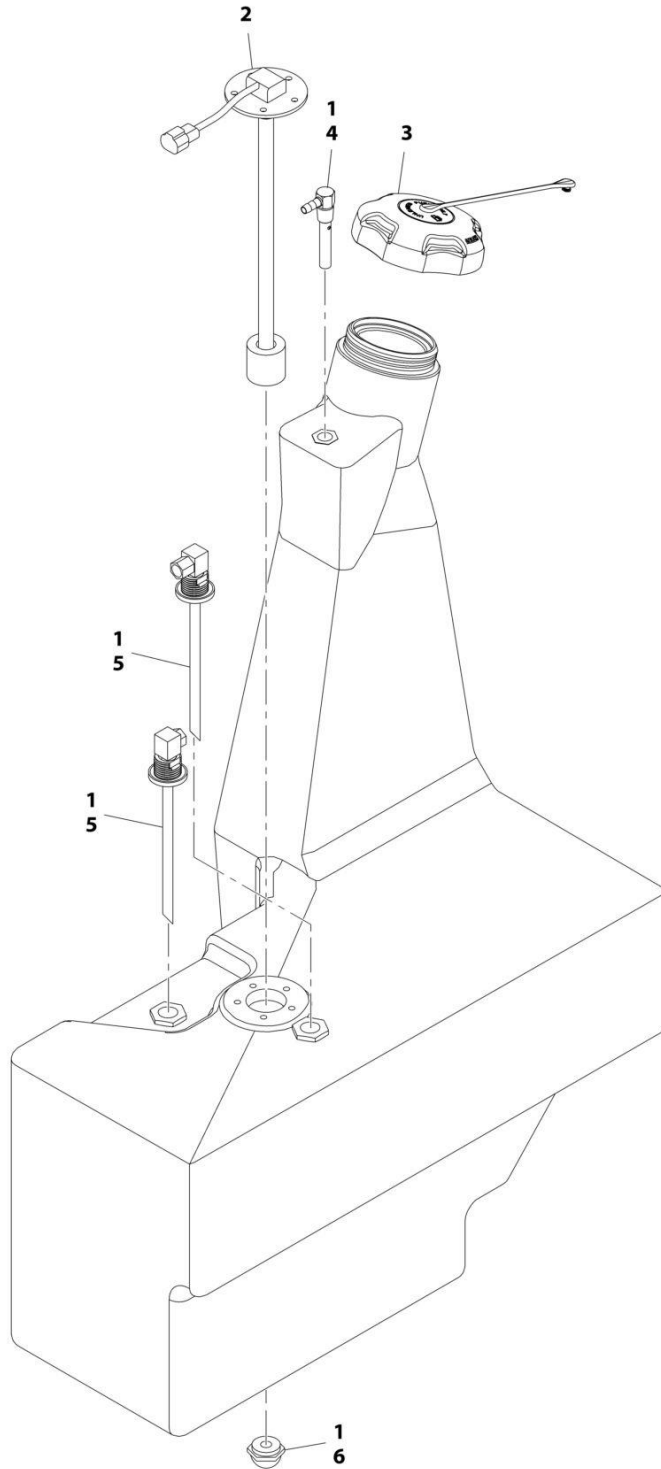
SECTION 2 - TURNTABLE

FIGURE 2-10. FUEL TANK ASSEMBLY (DIESEL MACHINES)

ITEM	PART NUMBER	QTY	DESCRIPTION	REV
	1001117897	Ref	FUEL TANK ASSEMBLY (DIESEL MACHINES)	G
1	0100020	AR	Sealant	
2	1001118262	1	Sender	
2	See Note	NSS	Seal, Sender (Note: Use p/n 1001118262)	
2	0721004	5	Screw #10-24 x 1/2	
3	1001128798	1	Cap, Fuel - Diesel	
4	See Note	NSS	Tube, Steel with Elbow Fitting (Note: Use p/n 1001117897)	
5	See Note	NSS	Plug (Note: Not Available - Purchase Locally)	

SECTION 2 - TURNTABLE

FIGURE 2-11. FUEL TANK ASSEMBLY (GAS MACHINES) (SN 0300200802 through 0300228556)



ART_1001117895

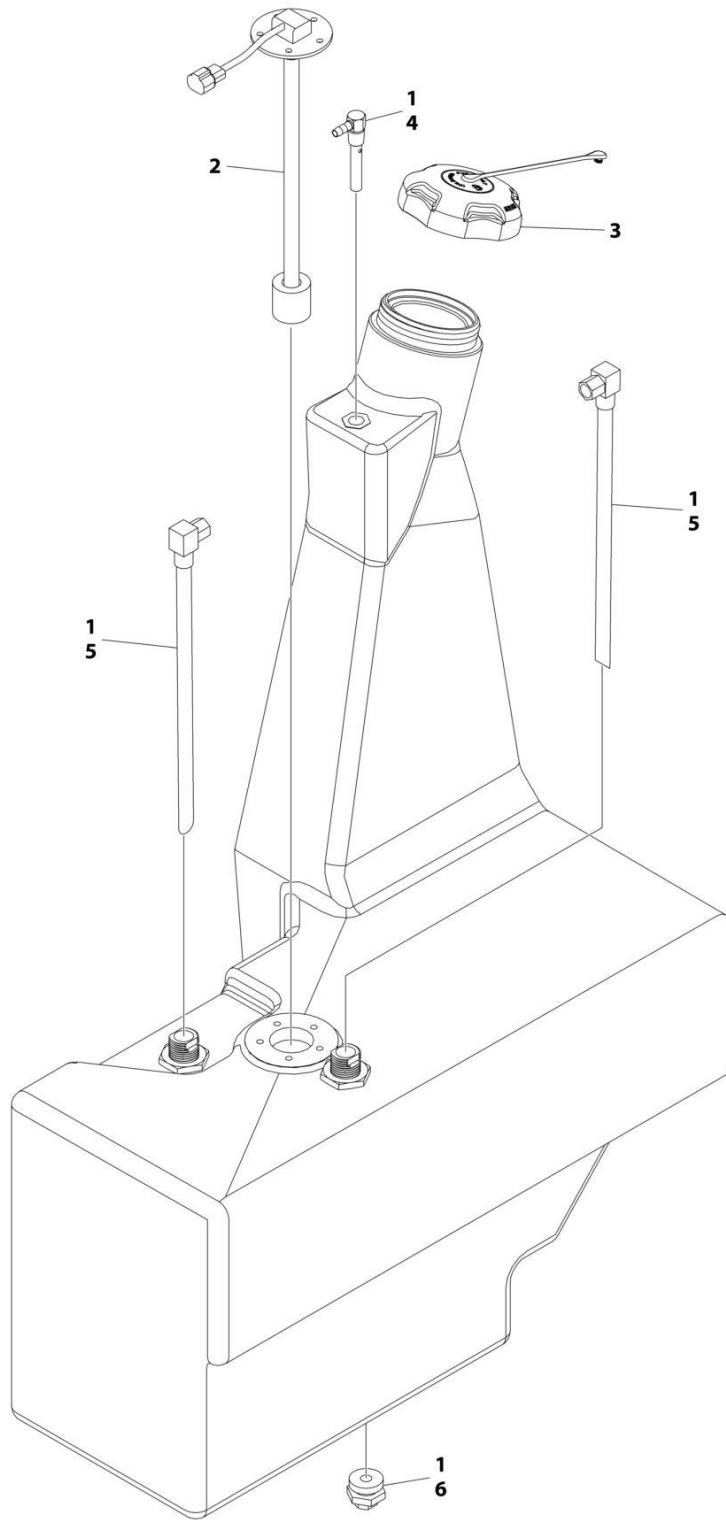
SECTION 2 - TURNTABLE

FIGURE 2-11. FUEL TANK ASSEMBLY (GAS MACHINES) (SN 0300200802 through 0300228556)

ITEM	PART NUMBER	QTY	DESCRIPTION	REV
	1001117895	Ref	FUEL TANK ASSEMBLY (GAS MACHINES) (SN 0300200802 through 0300228556)	H
1	0100020	AR	Sealant	
2	1001118262	1	Sender	
2	See Note	NSS	Seal, Sender (Note: Use p/n 1001118262)	
2	0721004	5	Screw #10-24 x 1/2	
3	1001128799	1	Cap, Fuel - Gas	
4	1001129043	1	Valve, Fuel Vent	
5	See Note	NSS	Tube, Steel with Elbow Fitting (Note: Use p/n 1001117895)	
6	See Note	NSS	Plug (Note: Not Available - Purchase Locally)	

SECTION 2 - TURNTABLE

FIGURE 2-12. FUEL TANK ASSEMBLY (GAS MACHINES) (SN 0300228557 to Present)



ART_1001211509

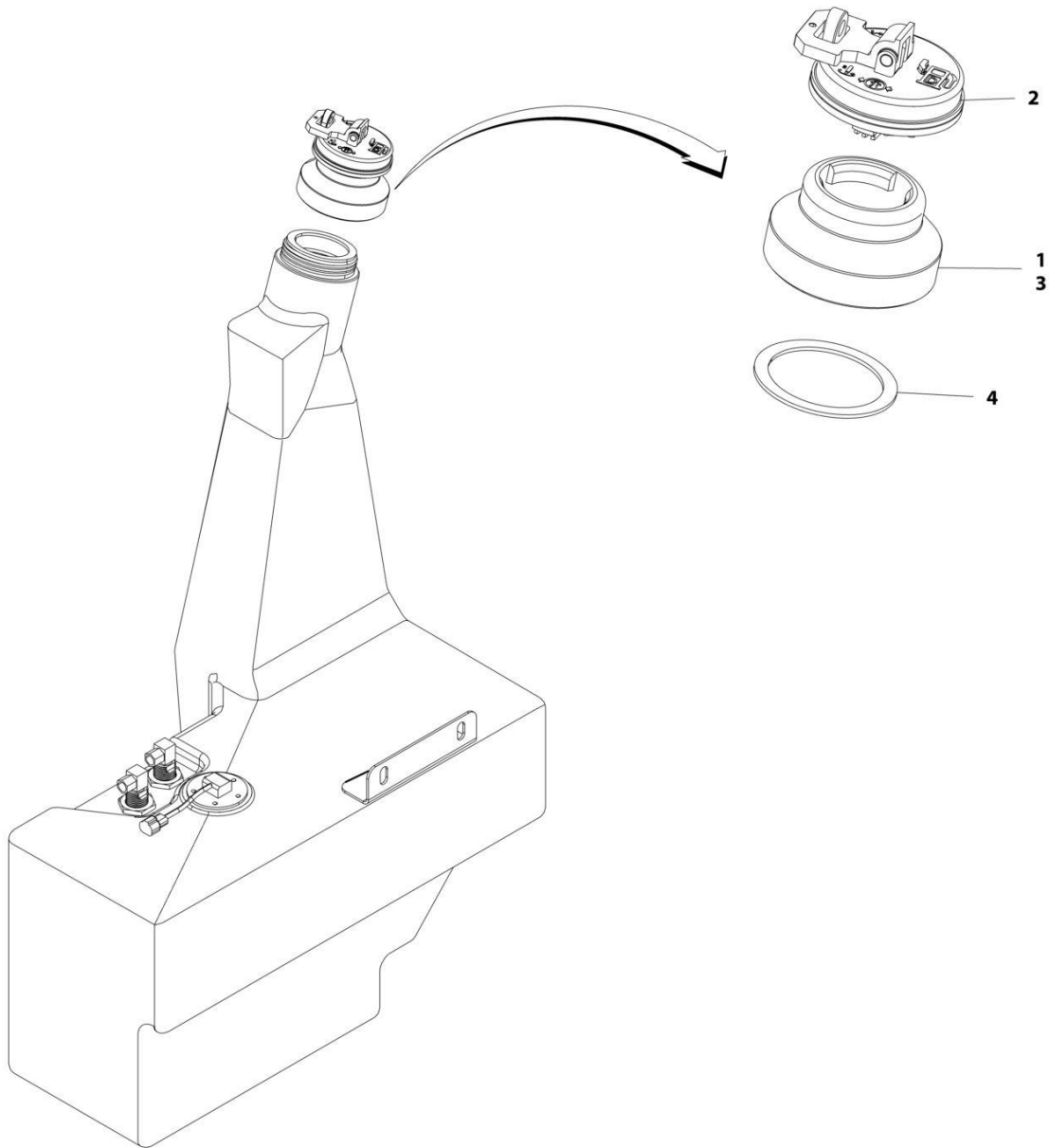
SECTION 2 - TURNTABLE

FIGURE 2-12. FUEL TANK ASSEMBLY (GAS MACHINES) (SN 0300228557 to Present)

ITEM	PART NUMBER	QTY	DESCRIPTION	REV
	1001211509	Ref	FUEL TANK ASSEMBLY (GAS MACHINES) (SN 0300228557 to Present)	A
1	0100020	AR	Sealant	
2	1001118262	1	Sender	
2	See Note	NSS	Seal, Sender (Note: Use p/n 1001211509)	
2	0721004	5	Screw #10-24 x 1/2	
3	1001128799	1	Cap, Fuel - Gas	
4	1001129043	1	Valve, Fuel Vent	
5	See Note	NSS	Tube, Steel with Elbow Fitting (Note: Use p/n 1001211509)	
6	See Note	NSS	Plug (Note: Not Available - Purchase Locally)	

SECTION 2 - TURNTABLE

FIGURE 2-13. KIT, LOCKABLE FUEL CAP (DIESEL MACHINES ONLY) (OPTIONAL)



ART_1001138829

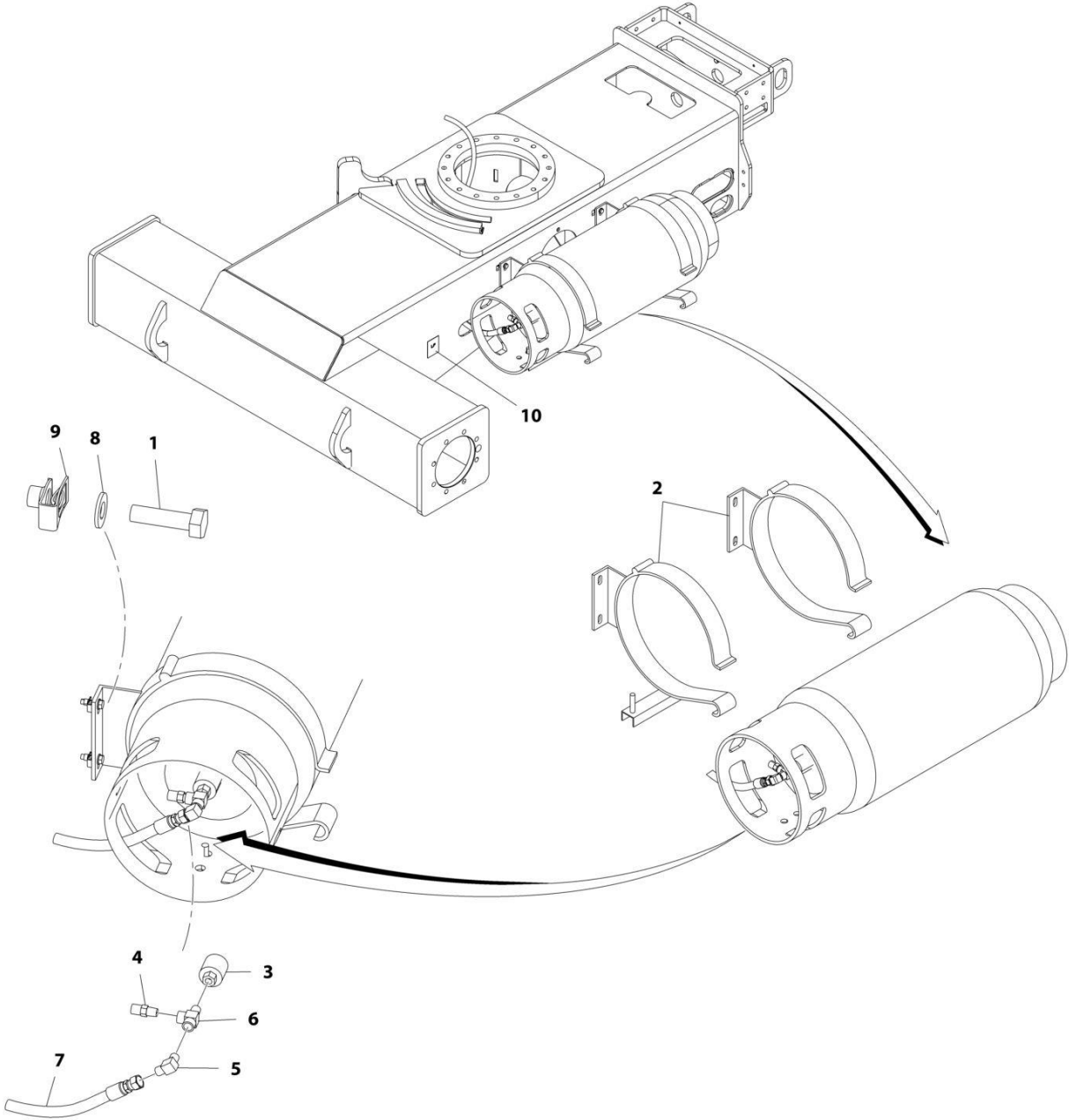
SECTION 2 - TURNTABLE

FIGURE 2-13. KIT, LOCKABLE FUEL CAP (DIESEL MACHINES ONLY) (OPTIONAL)

ITEM	PART NUMBER	QTY	DESCRIPTION	REV
	1001138829	Ref	KIT, LOCKABLE FUEL CAP (DIESEL MACHINES ONLY) (OPTIONAL)	A
1	0100093	1	Compound, Locking	
2	1001125283	1	Cap, Fill	
3	1001138752	1	Adapter	
4	1001139843	1	Gasket	

SECTION 2 - TURNTABLE

FIGURE 2-14. LP TANK ASSEMBLY (GAS MACHINES ONLY)



ART_1001118975

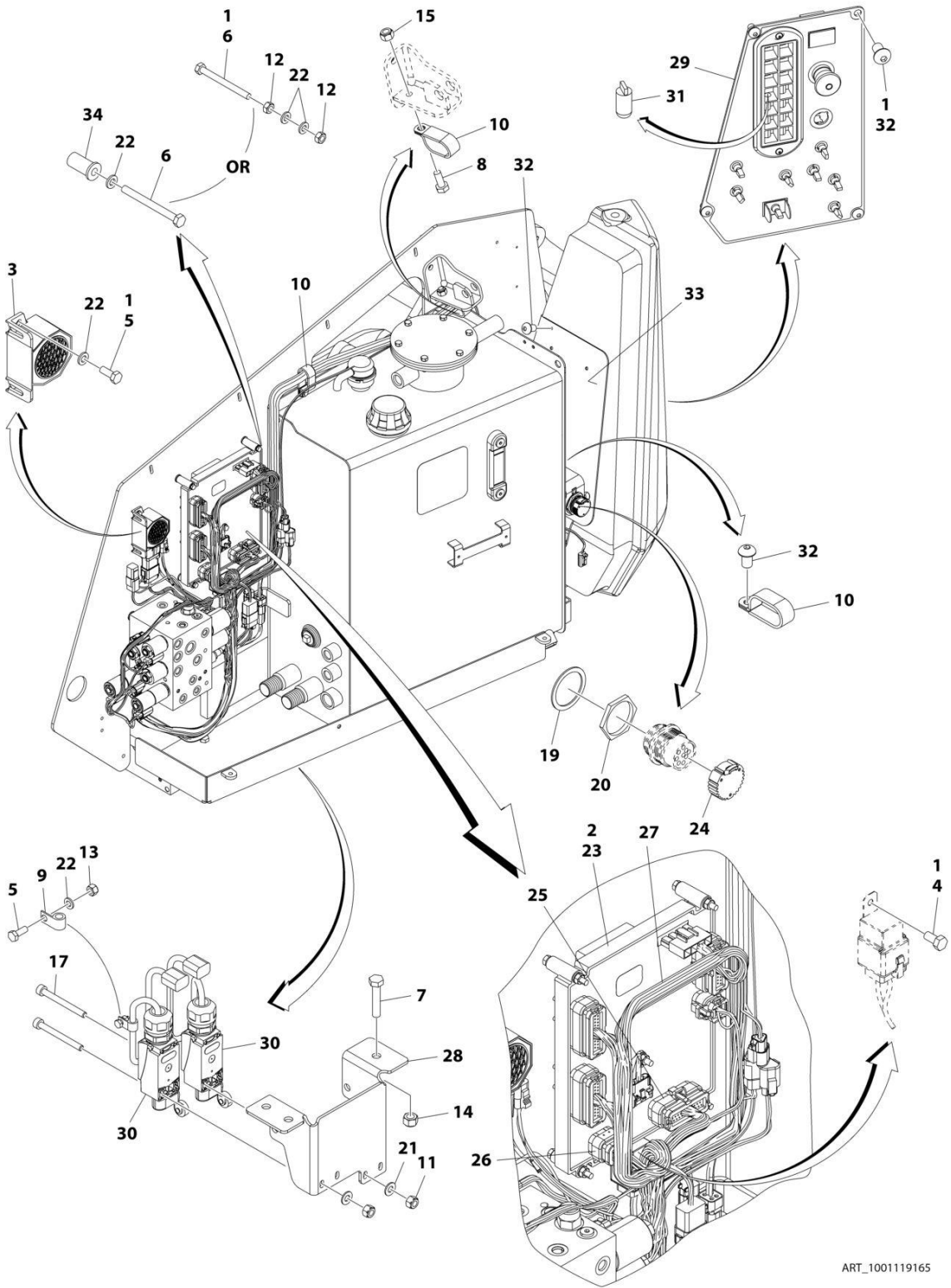
SECTION 2 - TURNTABLE

FIGURE 2-14. LP TANK ASSEMBLY (GAS MACHINES ONLY)

ITEM	PART NUMBER	QTY	DESCRIPTION	REV
	1001118975	Ref	LP TANK ASSEMBLY (GAS MACHINES ONLY)	C
1	0760814	4	Bolt M8 x 30	
2	1320220	1	LP Tank Clamp Kit	
3	2180387	1	Fitting, LP	
4	2180389	1	Fitting, Relief Valve	
5	2180504	1	Fitting, Elbow	
6	2220290	1	Fitting, Adapter	
7	2720175	1	Hose	
8	4811900	4	Washer M8	
9	1001118274	4	Nut, Retainer	
10	1701543	1	Decal - LP	
100	1001196242	1	Bracket Kit for Shorter Tank (Not Shown - Includes Bracket & Hardware Only)	

SECTION 2 - TURNTABLE

FIGURE 2-15. ELECTRICAL COMPONENTS INSTALLATION (ALL SPECS EXCEPT CE)



ART_1001119165

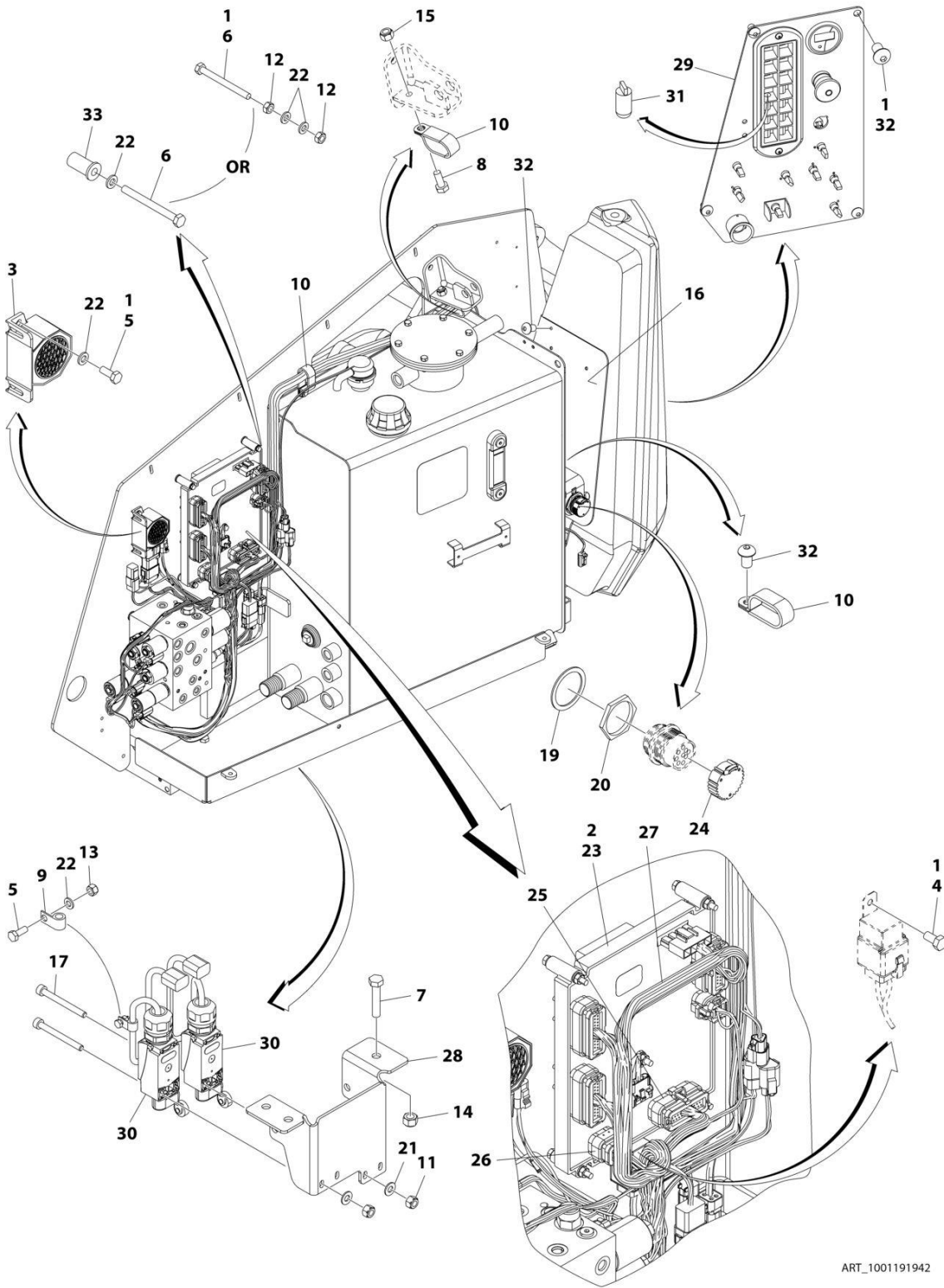
SECTION 2 - TURNTABLE

FIGURE 2-15. ELECTRICAL COMPONENTS INSTALLATION (ALL SPECS EXCEPT CE)

ITEM	PART NUMBER	QTY	DESCRIPTION	REV
	1001119165	Ref	ELECTRICAL COMPONENTS INSTALLATION (ALL SPECS EXCEPT CE)	K
1	0100011	AR	Compound, Locking	
2	0100048	AR	Sealant, Silicone	
3	0140043	1	Alarm	
4	0760505	1	Bolt M5 x 10	
5	0760608	4	Bolt M6 x 16	
6	0760621	5	Bolt M6 x 65	
7	0760816	3	Bolt M8 x 40	
8	0761012	1	Bolt M10 x 25	
9	1321293	2	Clamp	
10	1321716	3	P-Clamp	
11	3290405	4	Nut M4	
12	3290601	10	Nut M6 (SN 0300200802 through 0300221676)	
13	3290605	2	Nut M6	
14	3290805	3	Nut M8	
15	3291005	1	Nut M10	
17	4031512	4	Capscrew M4 x 40	
18	4240033	2	Tie-Strap (Not Shown)	
19	4460496	1	Washer	
20	4460497	1	Nut	
21	4811400	4	Washer M4	
22	4811700	AR	Washer M6	
23	1001120431	1	Module, Ground Control (Note: Re-calibration Required when Replaced)	
24	1001106736	1	Cap, Dust	
25	1001118218	1	Harness, Ground User Interface Harness (See ELECTRICAL SECTION for Breakdown)	
26	1001118293	1	Valve Harness (See ELECTRICAL SECTION for Breakdown)	
27	1001118333	1	Mid-Engine Harness (See ELECTRICAL SECTION for Breakdown)	
28	1001141710	1	Bracket, Switch	
29	1001119173	1	Ground Control Assembly (See GROUND CONTROL ASSEMBLY (ALL SPECS EXCEPT CE) for Breakdown)	
30	1001119176	2	Limit Switch and Harness Assembly (See ELECTRICAL SECTION for Breakdown)	
30	1001119170	2	Switch, Limit (1 per Assembly)	
31	2920129	8	Bulb, Light	
32	1001119527	7	Screw, Button Head M10 x 16	
33	1001125291	1	Shield, Ground Controls	
34	1001203719	5	Nut M6 (SN 0300221677 to Present)	

SECTION 2 - TURNTABLE

FIGURE 2-16. ELECTRICAL COMPONENTS INSTALLATION (CE SPEC)



ART_1001191942

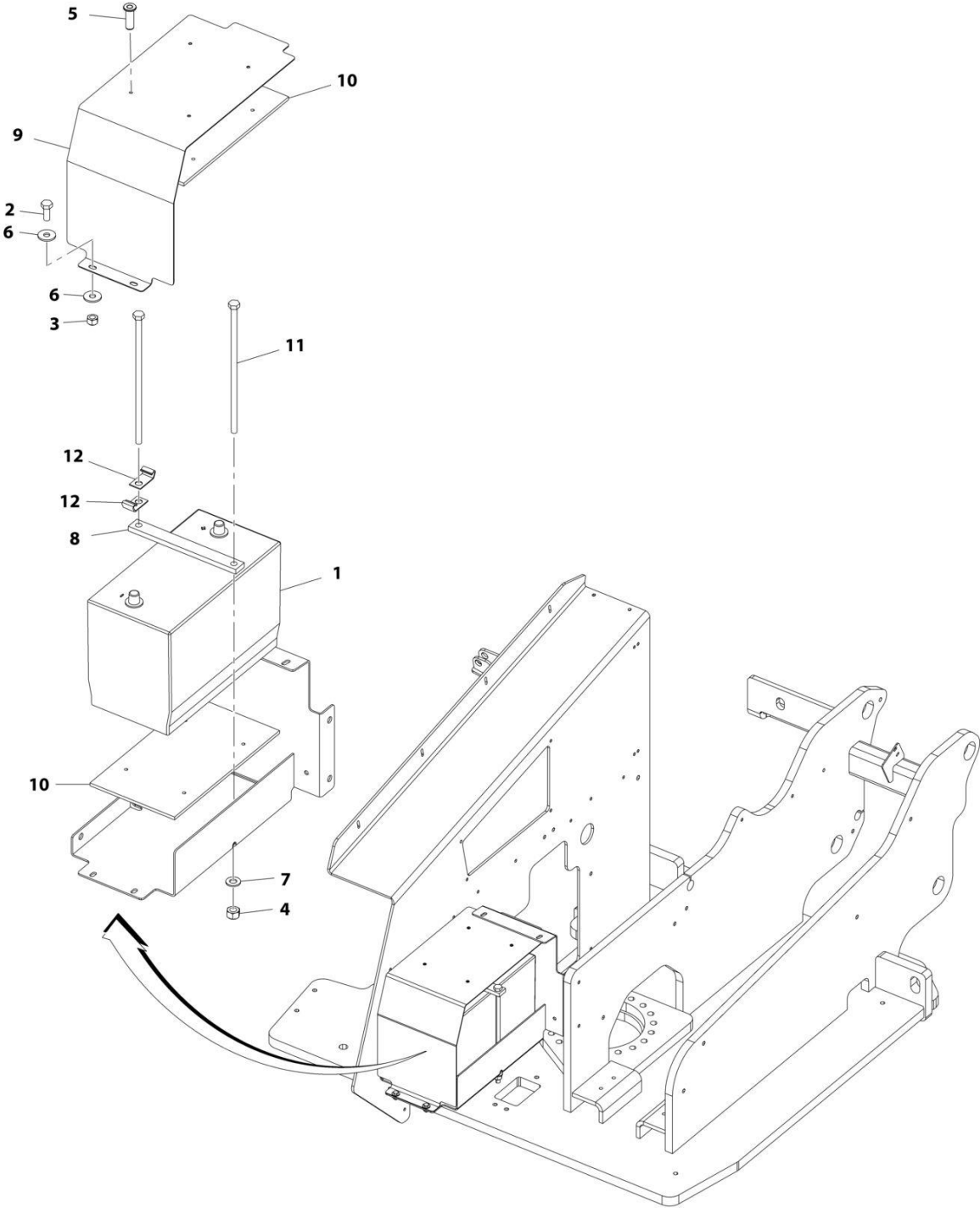
SECTION 2 - TURNTABLE

FIGURE 2-16. ELECTRICAL COMPONENTS INSTALLATION (CE SPEC)

ITEM	PART NUMBER	QTY	DESCRIPTION	REV
	1001191942	Ref	ELECTRICAL COMPONENTS INSTALLATION (CE SPEC)	C
1	0100011	AR	Compound, Locking	
2	0100048	AR	Sealant, Silicone	
3	0140043	1	Alarm	
4	0760505	1	Bolt M5 x 10	
5	0760608	4	Bolt M6 x 16	
6	0760621	5	Bolt M6 x 65	
7	0760816	3	Bolt M8 x 40	
8	0761012	1	Bolt M10 x 25	
9	1321293	2	Clamp	
10	1321716	3	P-Clamp	
11	3290405	4	Nut M4	
12	3290601	10	Nut M6 (SN 0300200802 through 0300221676)	
13	3290605	2	Nut M6	
14	3290805	3	Nut M8	
15	3291005	1	Nut M10	
16	1001125291	1	Shield, Ground Controls	
17	4031512	4	Capscrew M4 x 40	
18	4240033	2	Tie-Strap (Not Shown)	
19	4460496	1	Washer, Terminal	
20	4460497	1	Nut, Terminal	
21	4811400	4	Washer M4	
22	4811700	AR	Washer M6	
23	1001120431	1	Module, Ground Control (Note: Re-calibration Required when Replaced)	
24	1001106736	1	Cap, Dust	
25	1001188094	1	Ground User Interface (See ELECTRICAL SECTION for Breakdown)	
26	1001118293	1	Valve Harness (See ELECTRICAL SECTION for Breakdown)	
27	1001188093	1	Chassis Harness Assembly (See ELECTRICAL SECTION for Breakdown)	
28	1001141710	1	Bracket, Switch	
29	1001188036	1	Ground Control Assembly (See GROUND CONTROL ASSEMBLY (CE SPEC) for Breakdown)	
30	1001119176	2	Limit Switch and Harness Assembly (See ELECTRICAL SECTION for Breakdown)	
30	1001119170	2	Switch, Limit (1 per Assembly)	
31	2920129	8	Bulb, Light	
32	1001119527	7	Screw, Button Head M10 x 16	
33	1001203719	5	Nut M6 (SN 0300221677 to Present)	

SECTION 2 - TURNTABLE

FIGURE 2-17. BATTERY INSTALLATION



ART_1001119277

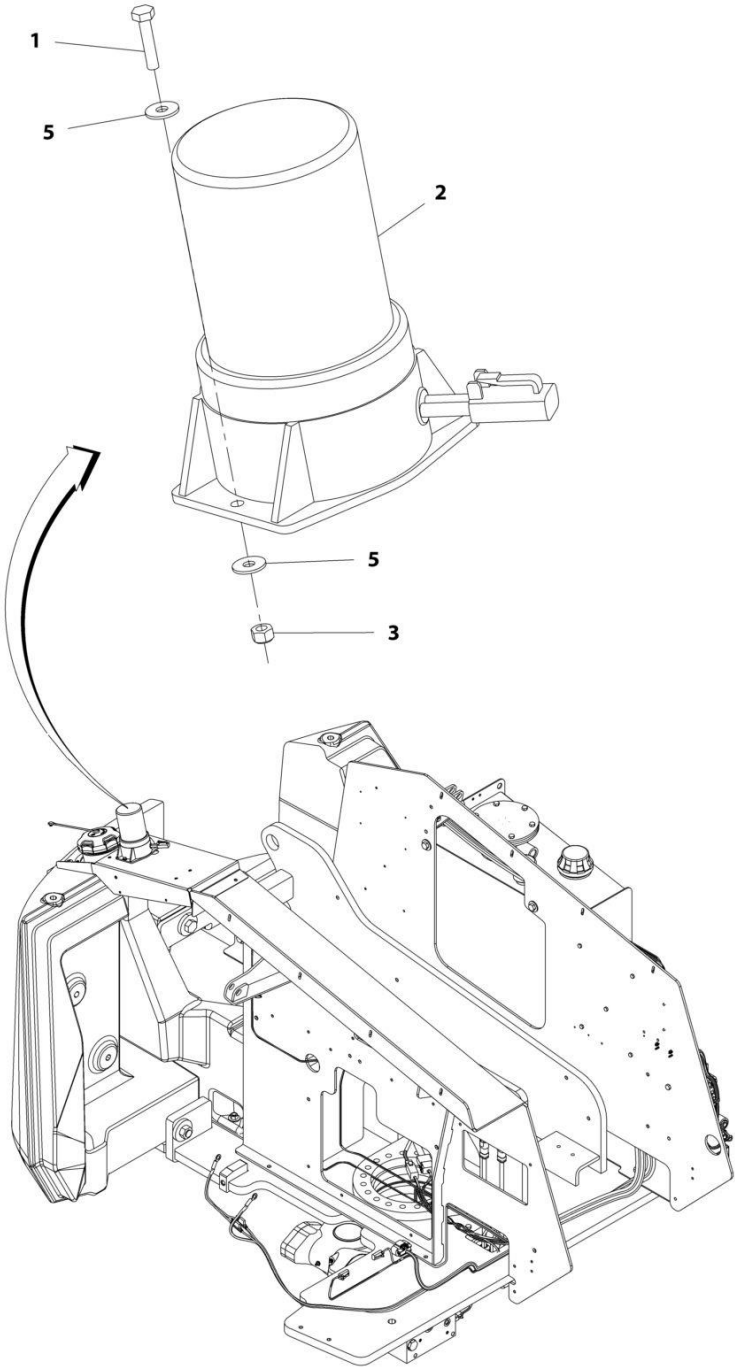
SECTION 2 - TURNTABLE

FIGURE 2-17. BATTERY INSTALLATION

ITEM	PART NUMBER	QTY	DESCRIPTION	REV
	1001119277	Ref	BATTERY INSTALLATION	D
1	0400075	1	Battery	
2	0760608	2	Bolt M6 x 16 (Prior to SN 0300259727)	
2	0760610	2	Bolt M6 x 20 (SN 0300259727 to Present)	
3	3290605	2	Nut M6	
4	3291005	2	Nut M10	
5	3820032	4	Rivet	
6	4811702	4	Washer M6	
7	4812000	2	Washer M10	
8	0361810	1	Bar, Hold-down	
9	1001117240	1	Cover	
10	1001119278	2	Insulate	
11	1001119280	2	Bolt M10 x 260	
12	1320223	2	J-Clip	

SECTION 2 - TURNTABLE

FIGURE 2-18. STROBE LIGHT INSTALLATION (AMBER) (OPTIONAL)



ART_1001119268

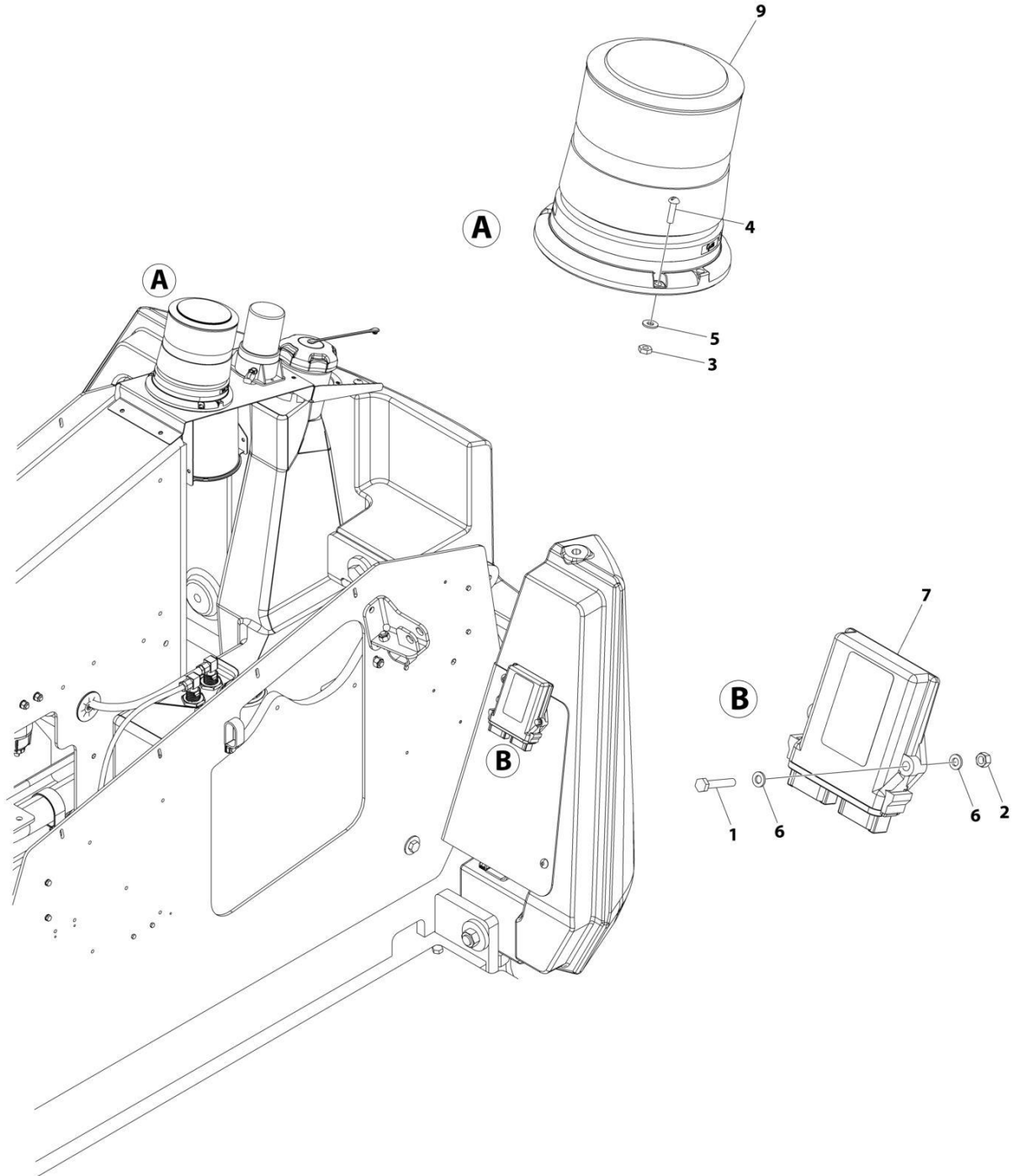
SECTION 2 - TURNTABLE

FIGURE 2-18. STROBE LIGHT INSTALLATION (AMBER) (OPTIONAL)

ITEM	PART NUMBER	QTY	DESCRIPTION	REV
	1001119268	Ref	STROBE LIGHT INSTALLATION (AMBER) (OPTIONAL)	C
1	0760410	2	Bolt M4 x 20	
2	2920161	1	Strobe Light Assembly	
2	7016319	1	Bulb	
2	7016372	1	Lens	
2	4460891	1	Plug, Male - 2 Position	
2	4460465	1	Socket, Female	
3	3290405	2	Nut M4	
5	1001091102	4	Washer M4	
6	4240032	2	Tie-Strap (Not Shown)	

SECTION 2 - TURNTABLE

FIGURE 2-19. STROBE LIGHT INSTALLATION (BLUE) (OPTIONAL) (SN 0300200802 through 0300217809)



ART_1001191346

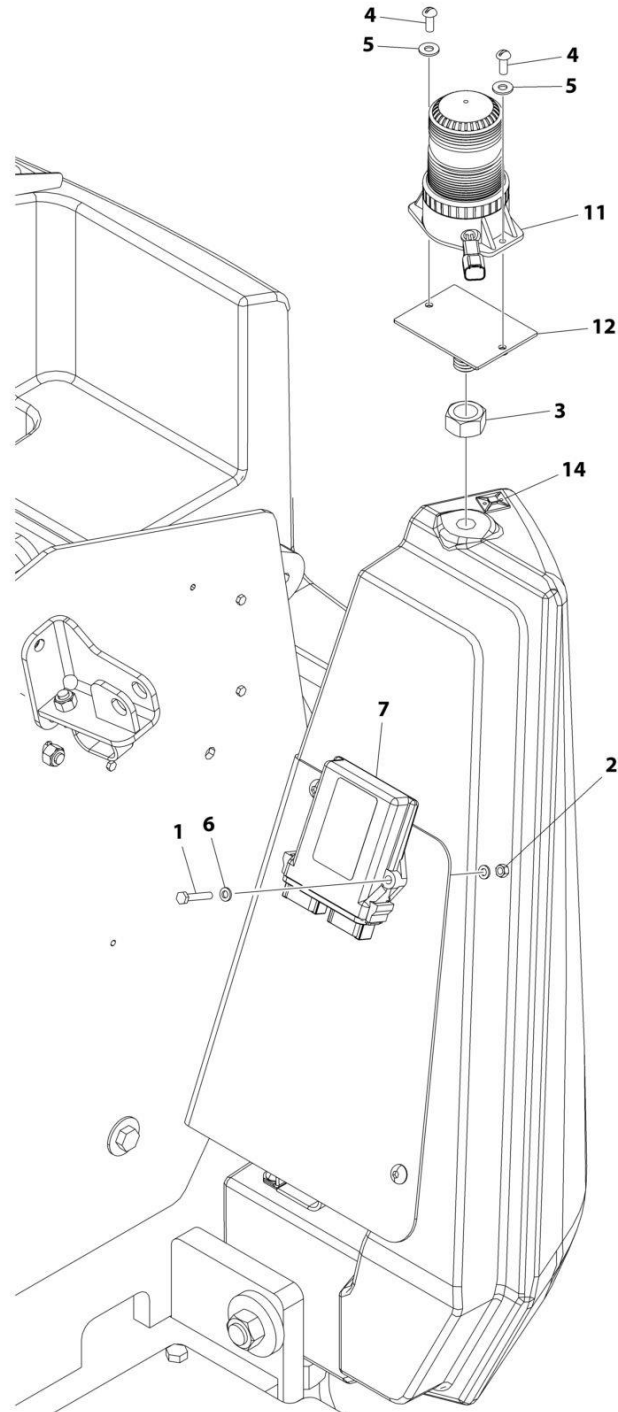
SECTION 2 - TURNTABLE

FIGURE 2-19. STROBE LIGHT INSTALLATION (BLUE) (OPTIONAL) (SN 0300200802 through 0300217809)

ITEM	PART NUMBER	QTY	DESCRIPTION	REV
	1001191346	Ref	STROBE LIGHT INSTALLATION (BLUE) (OPTIONAL) (SN 0300200802 through 0300217809)	B
1	0700615	2	Bolt M6 x 35	
2	3290607	2	Nut M6	
3	3311005	3	Nut #10	
4	3911012	3	Screw #10 x 3/4	
5	4711000	3	Washer #10	
6	4811700	4	Washer M6	
7	1001142683	1	Module, Beacon Control	
8	1001142736	1	Strobe Light Control Harness (Not Shown - See ELECTRICAL SECTION for Breakdown)	
9	1001143431	NLA	Light, Strobe (Use p/n 1001210696 and p/n 1001200910)	
10	1001159027	1	Strobe Light Harness (Not Shown - See ELECTRICAL SECTION for Breakdown)	

SECTION 2 - TURNTABLE

FIGURE 2-20. STROBE LIGHT INSTALLATION (BLUE) (OPTIONAL) (SN 0300217810 through 0300257078)



ART_1001207139

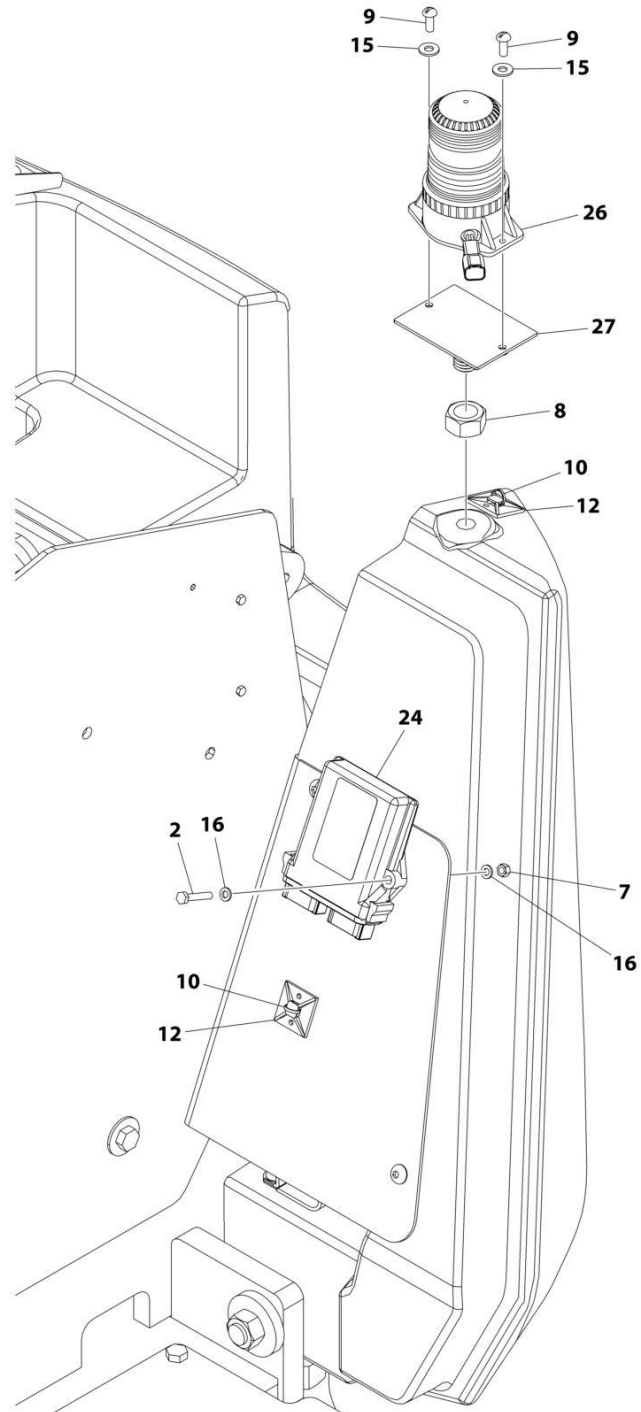
SECTION 2 - TURNTABLE

FIGURE 2-20. STROBE LIGHT INSTALLATION (BLUE) (OPTIONAL) (SN 0300217810 through 0300257078)

ITEM	PART NUMBER	QTY	DESCRIPTION	REV
	1001207139	Ref	STROBE LIGHT INSTALLATION (BLUE) (OPTIONAL)	F
1	0700615	2	Bolt M6 x 35	
2	3290607	2	Nut M6	
3	3292001	1	Nut M20	
4	3900085	2	Screw #10 x 1/2	
5	4751000	2	Washer #10	
6	4811700	4	Washer M6	
7	1001142683	1	Module, Beacon Control	
8	1001142736	1	Strobe Light Control Harness (Not Shown - See ELECTRICAL SECTION for Breakdown)	
9	1001159027	1	Strobe Light Harness (Not Shown - See ELECTRICAL SECTION for Breakdown)	
11	1001200910	1	Light, Strobe	
11	7028909	1	Connector - 2 Position	
11	4460943	2	Pin, Male	
12	1001207227	1	Mount	
13	4240032	3	Tie-Strap (Not Shown)	
14	4460488	3	Base, Mounting	

SECTION 2 - TURNTABLE

FIGURE 2-21. STROBE LIGHT INSTALLATION (BLUE) (OPTIONAL) (SN 0300257079 to Present)



ART_1001242849

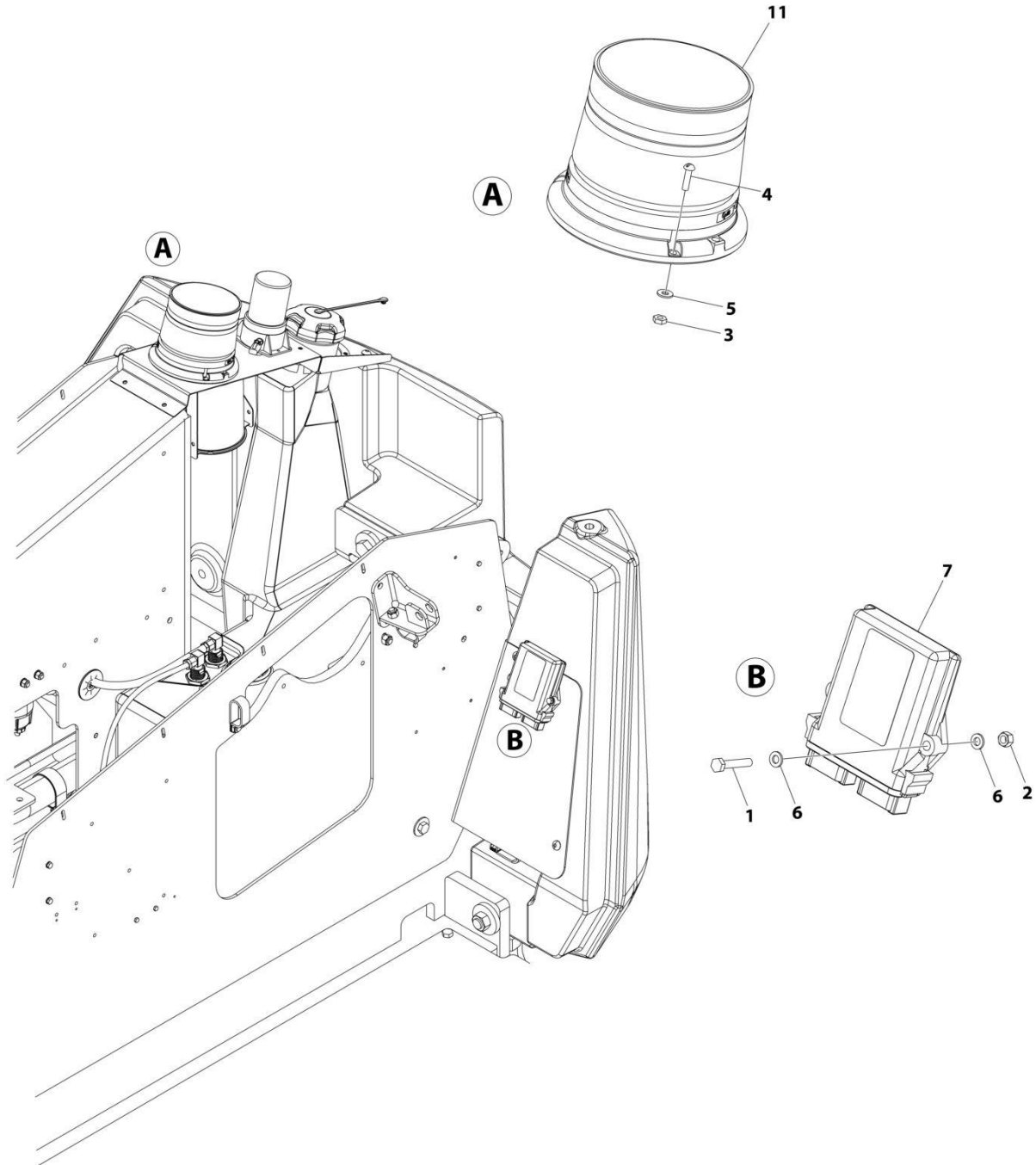
SECTION 2 - TURNTABLE

FIGURE 2-21. STROBE LIGHT INSTALLATION (BLUE) (OPTIONAL) (SN 0300257079 to Present)

ITEM	PART NUMBER	QTY	DESCRIPTION	REV
	1001242849	Ref	BEACON LIGHT INSTALLATION - BLUE	B
2	0700615	2	Bolt M6 x 35	
7	3290607	2	Nut M6	
8	3292001	1	Nut M20	
9	3900085	2	Screw #10 x 1/2	
10	4240032	3	Tie-Strap	
12	4460488	3	Base, Mounting	
15	4751000	2	Washer #10	
16	4811700	4	Washer M6	
24	1001142683	1	Module, Beacon Control	
26	1001200910	1	Light, Strobe	
26	7028909	1	Connector - 2 Position	
26	4460943	2	Pin, Male	
27	1001207227	1	Mount	
28	1001142736	1	Strobe Light Control Harness (Not Shown - See Separate Breakdown in ELECTRICAL SECTION)	

SECTION 2 - TURNTABLE

FIGURE 2-22. STROBE LIGHT INSTALLATION (RED) (OPTIONAL) (SN 0300200802 through 0300218349)



ART_1001207313

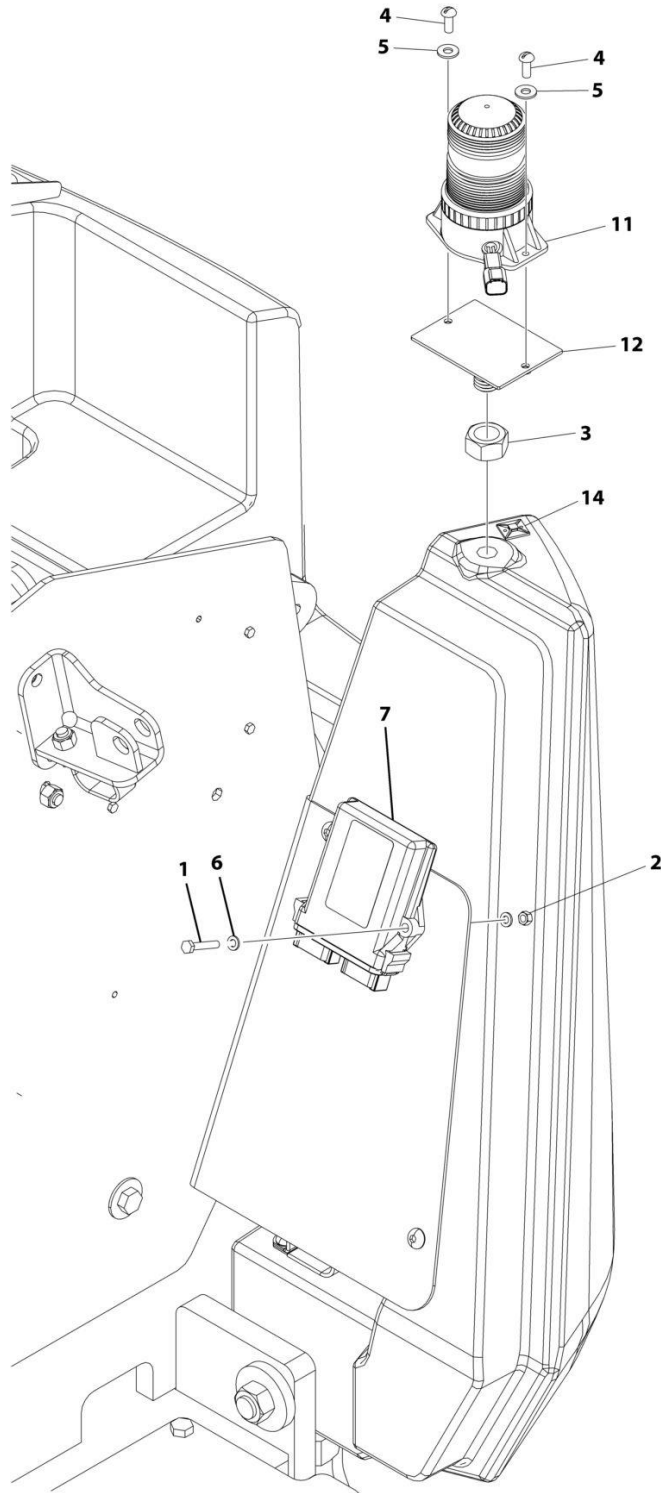
SECTION 2 - TURNTABLE

FIGURE 2-22. STROBE LIGHT INSTALLATION (RED) (OPTIONAL) (SN 0300200802 through 0300218349)

ITEM	PART NUMBER	QTY	DESCRIPTION	REV
	1001207313	Ref	STROBE LIGHT INSTALLATION (RED) (OPTIONAL) (SN 0300200802 through 0300218349)	B
1	0700615	2	Bolt M6 x 35	
2	3290607	2	Nut M6	
3	3311005	3	Nut #10	
4	3911012	3	Screw #10 x 3/4	
5	4711000	3	Washer #10	
6	4811700	4	Washer M6	
7	1001142683	1	Module, Beacon Control	
8	1001142736	1	Strobe Light Control Harness (Not Shown - See ELECTRICAL SECTION for Breakdown)	
9	1001159027	1	Strobe Light Harness (Not Shown - See ELECTRICAL SECTION for Breakdown)	
11	1001197067	NLA	Light, Strobe (Use p/n 1001210696 and p/n 1001207004)	
11	7028909	1	Connector - 2 Position	
11	4460943	2	Pin, Male	

SECTION 2 - TURNTABLE

FIGURE 2-23. STROBE LIGHT INSTALLATION (RED) (OPTIONAL) (SN 0300218350 through 0300257078)



ART_1001209878

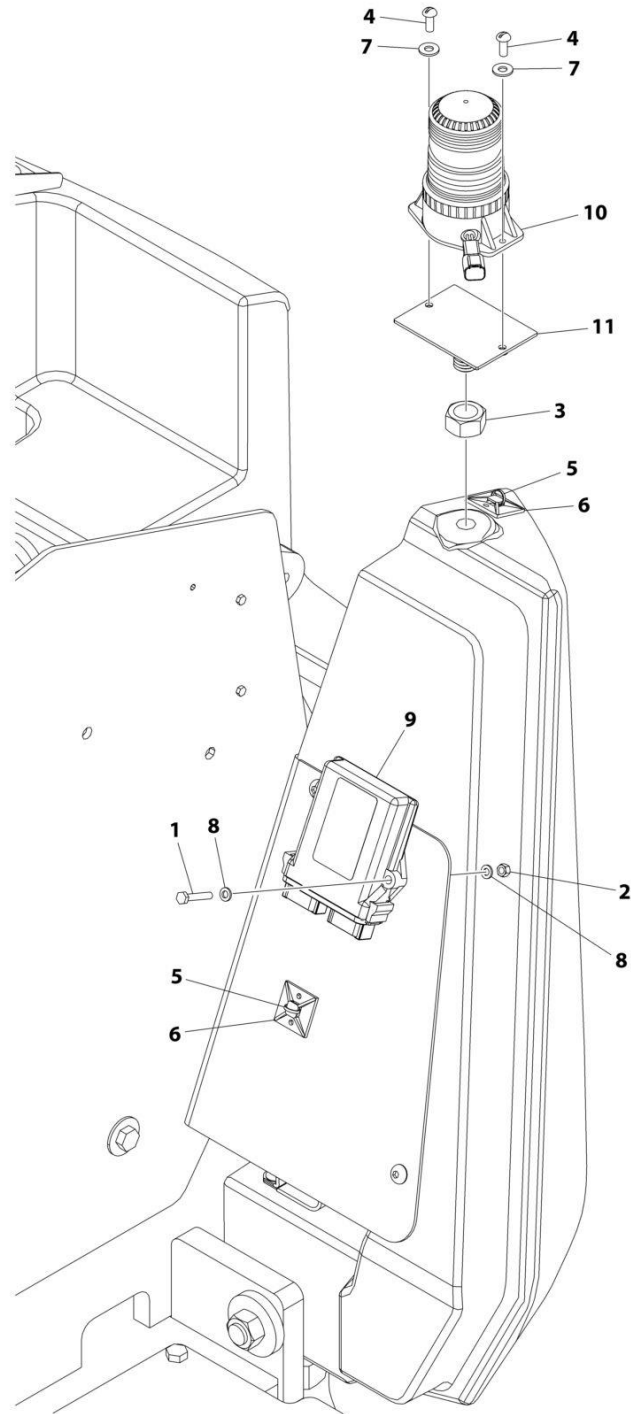
SECTION 2 - TURNTABLE

FIGURE 2-23. STROBE LIGHT INSTALLATION (RED) (OPTIONAL) (SN 0300218350 through 0300257078)

ITEM	PART NUMBER	QTY	DESCRIPTION	REV
	1001209878	Ref	STROBE LIGHT INSTALLATION (RED) (OPTIONAL)	F
1	0700615	2	Bolt M6 x 35	
2	3290607	2	Nut M6	
3	3292001	1	Nut M20	
4	3900085	2	Screw #10 x 1/2	
5	4751000	2	Washer #10	
6	4811700	4	Washer M6	
7	1001142683	1	Module, Beacon Control	
8	1001142736	1	Strobe Light Control Harness (Not Shown - See ELECTRICAL SECTION for Breakdown)	
9	1001159027	1	Strobe Light Harness (Not Shown - See ELECTRICAL SECTION for Breakdown)	
11	1001207004	1	Light, Strobe	
11	7028909	1	Connector - 2 Position	
11	4460943	2	Pin, Male	
12	1001207227	1	Mount	
13	4240032	3	Tie-Strap (Not Shown)	
14	4460488	3	Base, Mounting	

SECTION 2 - TURNTABLE

FIGURE 2-24. STROBE LIGHT INSTALLATION (RED) (OPTIONAL) (SN 0300257079 to Present)



ART_1001242850

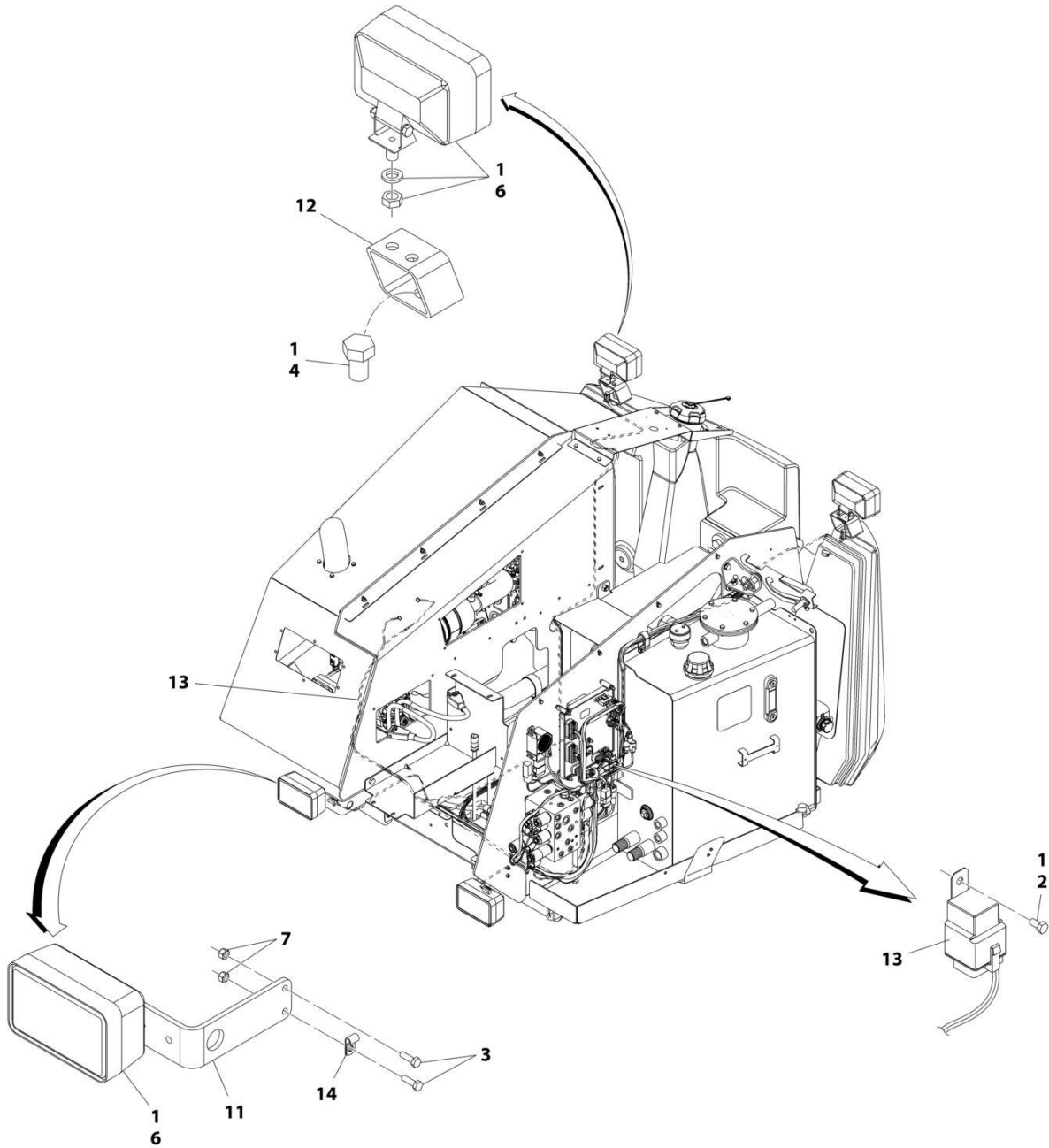
SECTION 2 - TURNTABLE

FIGURE 2-24. STROBE LIGHT INSTALLATION (RED) (OPTIONAL) (SN 0300257079 to Present)

ITEM	PART NUMBER	QTY	DESCRIPTION	REV
	1001242850	Ref	BEACON LIGHT INSTALLATION - RED	A
1	0700615	2	Bolt M6 x 35	
2	3290607	2	Nut M6	
3	3292001	1	Nut M20	
4	3900085	2	Screw #10 x 1/2	
5	4240032	3	Tie-Strap	
6	4460488	3	Base, Mounting	
7	4751000	2	Washer #10	
8	4811700	4	Washer M6	
9	1001142683	1	Module, Beacon Control	
10	1001207004	1	Light, Strobe	
10	7028909	1	Connector - 2 Position	
10	4460943	2	Pin, Male	
11	1001207227	1	Mount	
12	1001142736	1	Strobe Light Control Harness (Not Shown - See Separate Breakdown in ELECTRICAL SECTION)	

SECTION 2 - TURNTABLE

FIGURE 2-25. TURNTABLE FLOODLIGHT INSTALLATION (OPTIONAL)



ART_1001120232

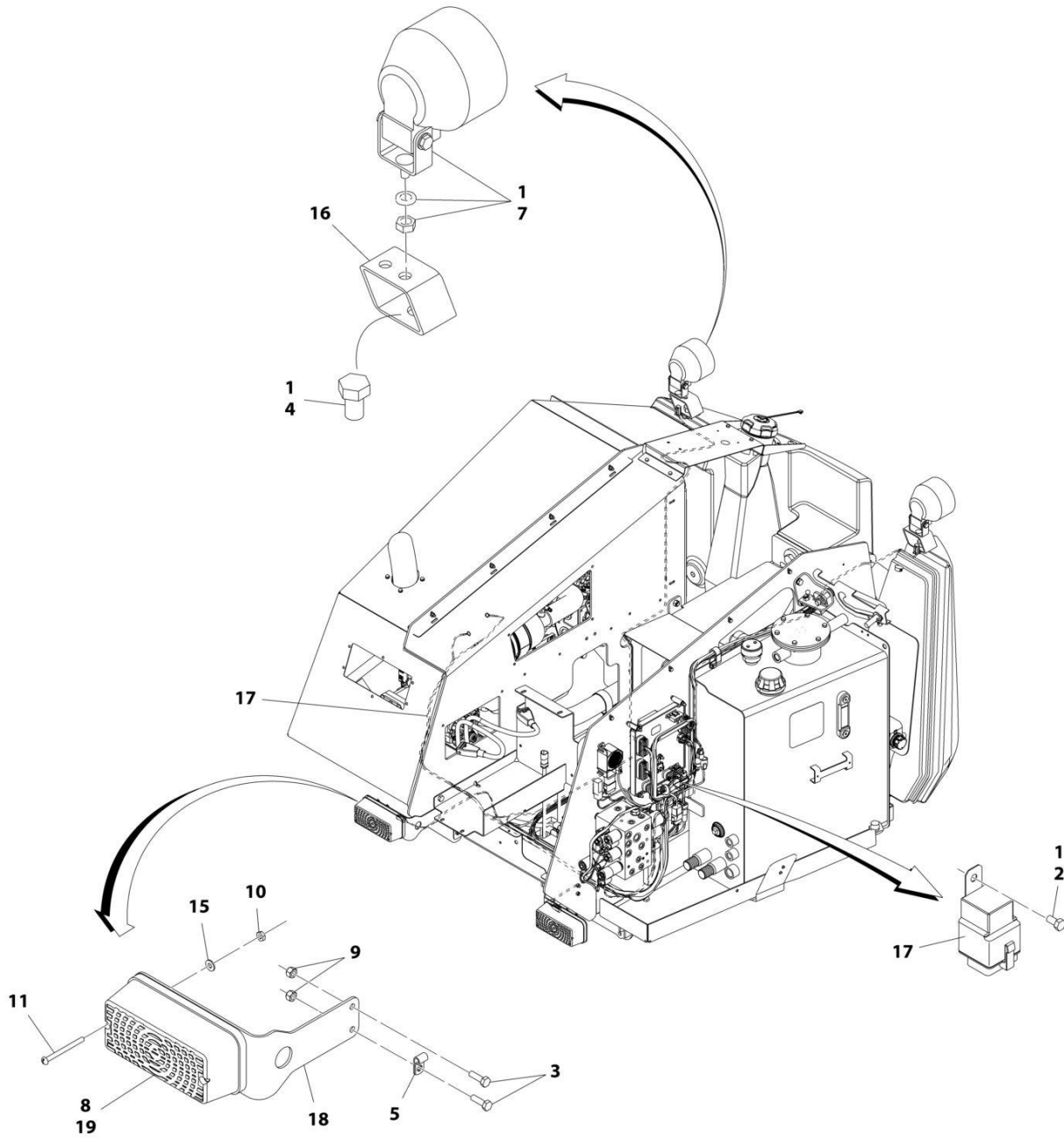
SECTION 2 - TURNTABLE

FIGURE 2-25. TURNTABLE FLOODLIGHT INSTALLATION (OPTIONAL)

ITEM	PART NUMBER	QTY	DESCRIPTION	REV
	1001120232	Ref	TURNTABLE FLOODLIGHT INSTALLATION (OPTIONAL)	B
1	0100011	AR	Compound, Locking	
2	0760505	1	Bolt M5 x 10	
3	0760610	4	Bolt M6 x 20	
4	0762014	2	Bolt M20 x 30	
5	1705170	1	Decal - Light (Not Shown - Located on Platform Console Box)	
6	2920157	4	Floodlight	
6	7024452	4	Bulb, Replacement (1 Per Assembly)	
7	3290605	4	Nut M6	
8	4240032	2	Tie-Strap (Not Shown)	
9	4240033	4	Tie-Strap (Not Shown)	
10	4360522	1	Switch, Push Button (Not Shown - Located on Platform Console Box)	
11	1001120287	2	Mount, Light	
12	1001120288	2	Mount, Light	
13	1001120299	1	Chassis Light Harness (See ELECTRICAL SECTION for Breakdown)	
13	3740080	1	Relay	
14	1320136	2	Clamp, Cable	

SECTION 2 - TURNTABLE

FIGURE 2-26. HEAD AND TAIL LIGHT INSTALLATION (OPTIONAL)



ART_1001149144

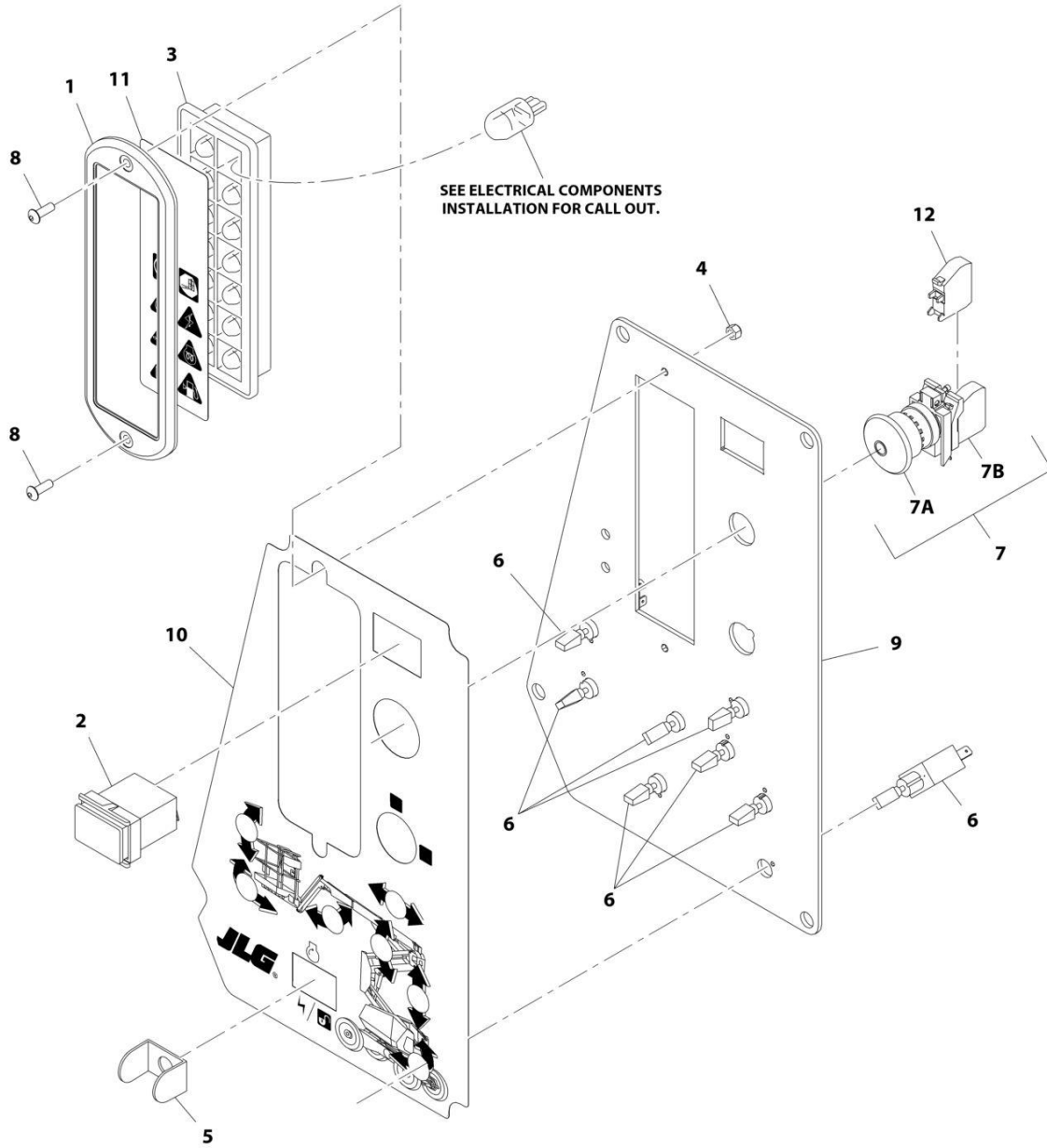
SECTION 2 - TURNTABLE

FIGURE 2-26. HEAD AND TAIL LIGHT INSTALLATION (OPTIONAL)

ITEM	PART NUMBER	QTY	DESCRIPTION	REV
	1001149144	Ref	HEAD AND TAIL LIGHT INSTALLATION (OPTIONAL)	A
1	0100011	AR	Compound, Locking	
2	0760505	1	Bolt M5 x 10	
3	0760610	4	Bolt M6 x 20	
4	0762014	2	Bolt M20 x 30	
5	1320136	2	Clamp, Cable	
6	1705170	1	Decal - Light (Not Shown - Located on Platform Console Box)	
7	2920110	2	Light, Head	
7	7016628	2	Bulb, Replacement (1 Per Assembly)	
8	2920113	2	Light, Tail	
9	3290605	4	Nut M6	
10	3311005	4	Nut M10-24	
11	3911036	4	M10-24 x 2-1/4	
12	4240032	2	Tie-Strap (Not Shown)	
13	4240033	4	Tie-Strap (Not Shown)	
14	4360522	1	Switch, Push Button (Not Shown - Located on Platform Console Box)	
15	4751000	4	Washer M10	
16	1001120288	2	Mount, Light	
17	1001120299	1	Chassis Light Harness (See ELECTRICAL SECTION for Breakdown)	
17	3740080	1	Relay	
18	1001149147	2	Mount, Light	
19	4460121	2	Cap, Wire	

SECTION 2 - TURNTABLE

FIGURE 2-27. GROUND CONTROL ASSEMBLY (ALL SPECS EXCEPT CE)



ART_1001119173

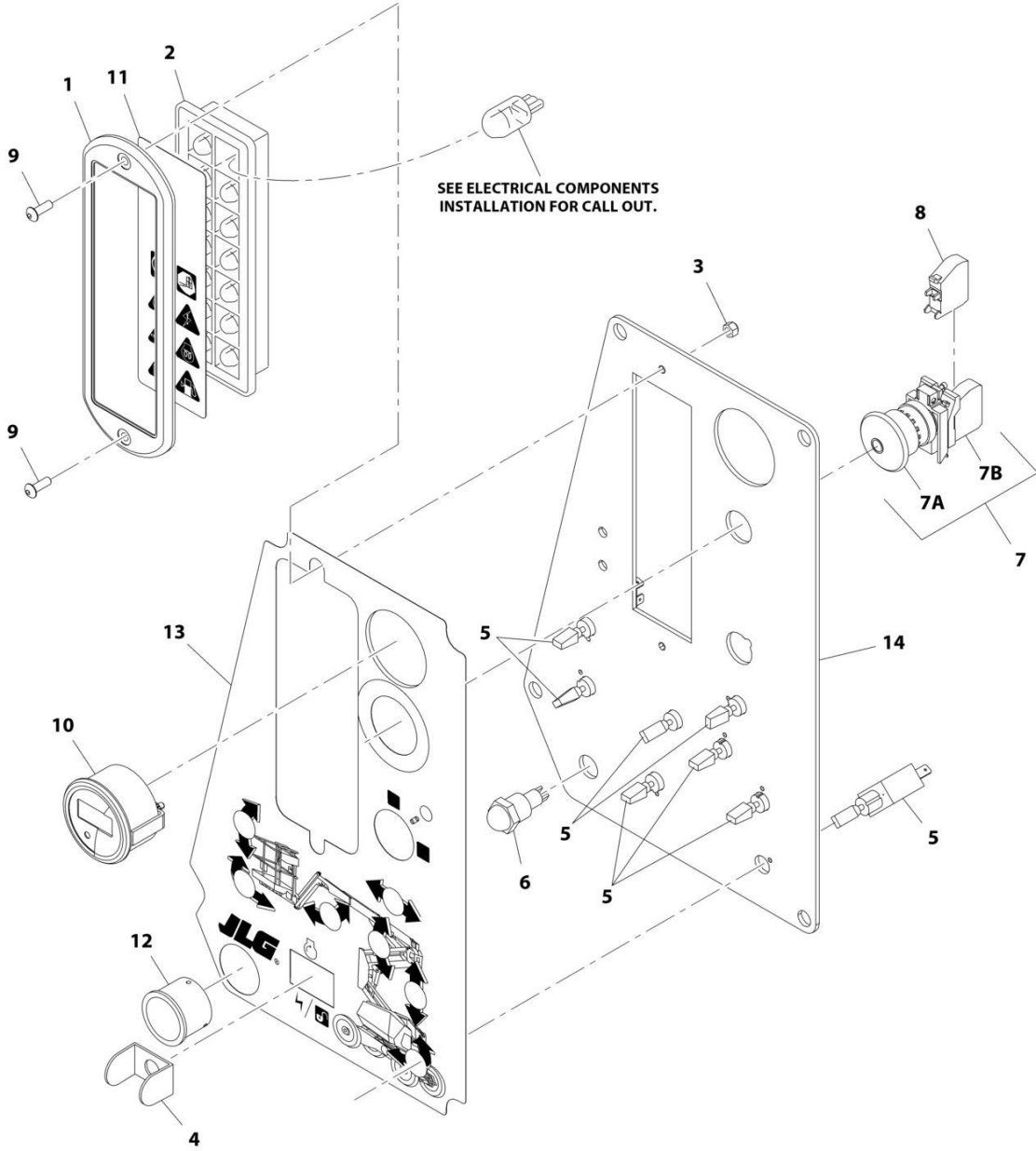
SECTION 2 - TURNTABLE

FIGURE 2-27. GROUND CONTROL ASSEMBLY (ALL SPECS EXCEPT CE)

ITEM	PART NUMBER	QTY	DESCRIPTION	REV
	1001119173	Ref	GROUND CONTROL ASSEMBLY (ALL SPECS EXCEPT CE)	C
1	1670829	1	Bezel	
2	2420172	1	Gauge	
3	2760105	1	Housing, Display Light	
4	3290505	2	Nut M5	
5	4060906	1	Guard, Switch	
6	4360328	8	Switch, Toggle	
7	4360475	1	Switch, Emergency Stop	
7A	7020175	1	Cap, Mushroom Head	
7B	7020176	1	Block, Contact	
8	1001099125	2	Screw M5 x 16 Grade 10.9	
9	1001119172	1	Panel	
10	1001119230	1	Decal - Ground Control	
11	1001119232	1	Decal - Display Panel	
12	4360476	1	Switch, Contact	

SECTION 2 - TURNTABLE

FIGURE 2-28. GROUND CONTROL ASSEMBLY (CE SPEC)



ART_1001188036

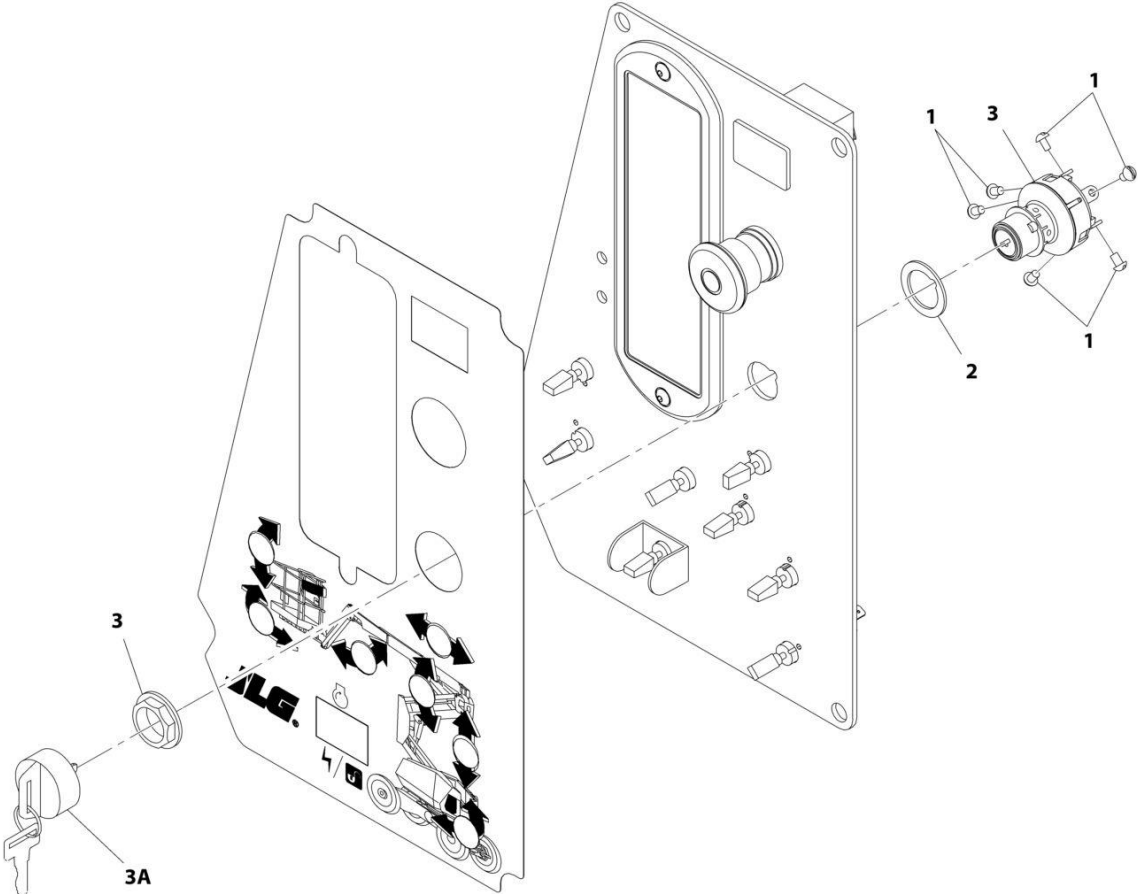
SECTION 2 - TURNTABLE

FIGURE 2-28. GROUND CONTROL ASSEMBLY (CE SPEC)

ITEM	PART NUMBER	QTY	DESCRIPTION	REV
	1001188036	Ref	GROUND CONTROL ASSEMBLY (CE SPEC)	A
1	1670829	1	Bezel	
2	2760105	1	Housing, Display Light	
3	3290505	2	Nut M5	
4	4060906	1	Guard, Switch	
5	4360328	8	Switch, Toggle	
6	4360387	1	Switch, Push Button	
7	4360475	1	Switch, Emergency Stop	
7A	7020175	1	Cap, Mushroom Head	
7B	7020176	1	Block, Contact	
8	4360476	1	Switch, Contact	
9	1001099125	2	Screw M5 x 16 Grade 10.9	
10	1001109503	1	Gauge	
11	1001119232	1	Decal - Display Panel	
12	1001176469	1	Shroud, Switch	
13	1001182689	1	Decal - Ground Control	
14	1001188057	1	Panel	

SECTION 2 - TURNTABLE

FIGURE 2-29. KEY SWITCH INSTALLATION



ART_1001119399

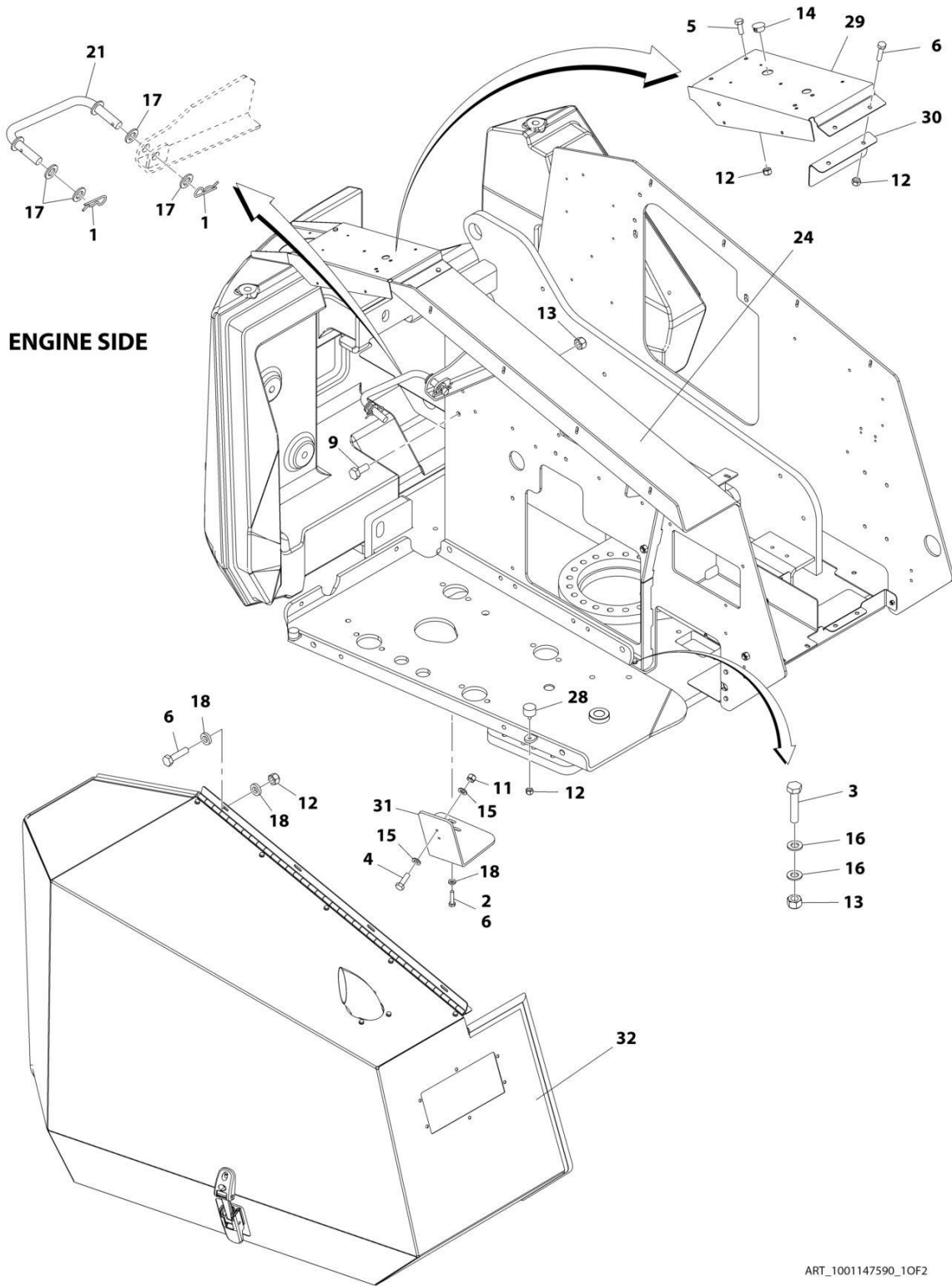
SECTION 2 - TURNTABLE

FIGURE 2-29. KEY SWITCH INSTALLATION

ITEM	PART NUMBER	QTY	DESCRIPTION	REV
	1001119399	Ref	KEY SWITCH INSTALLATION (ALL SPECS EXCEPT CE SPEC)	C
1	3910804	6	Screw 8-32 x 1/4	
2	1001151393	1	Shim	
3	4360469	1	Switch, Key	
3A	2860030	1	Key, Replacement	

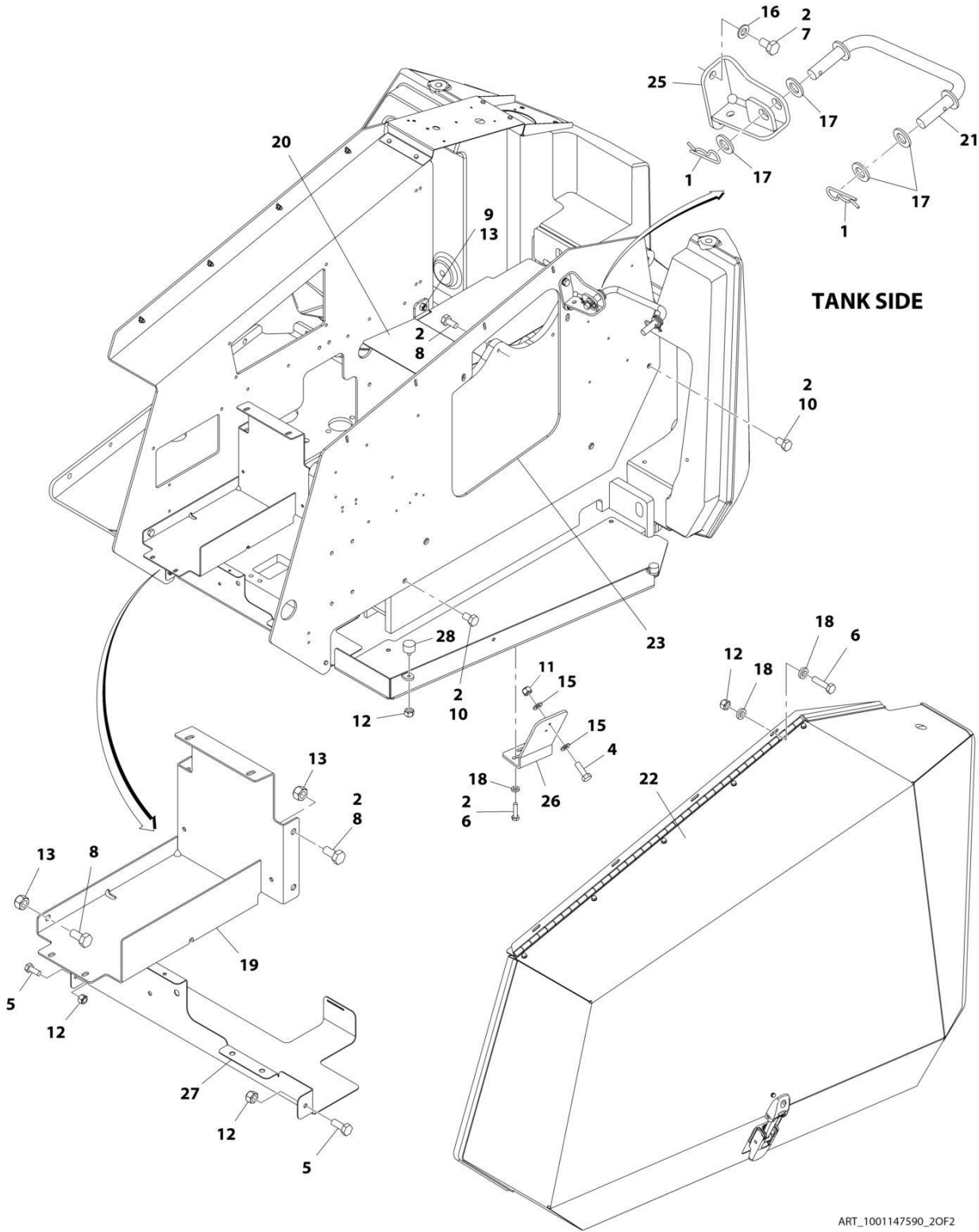
SECTION 2 - TURNTABLE

FIGURE 2-30. HOODS INSTALLATION



ART_1001147590_10F2

SECTION 2 - TURNTABLE



ART_1001147590_20F2

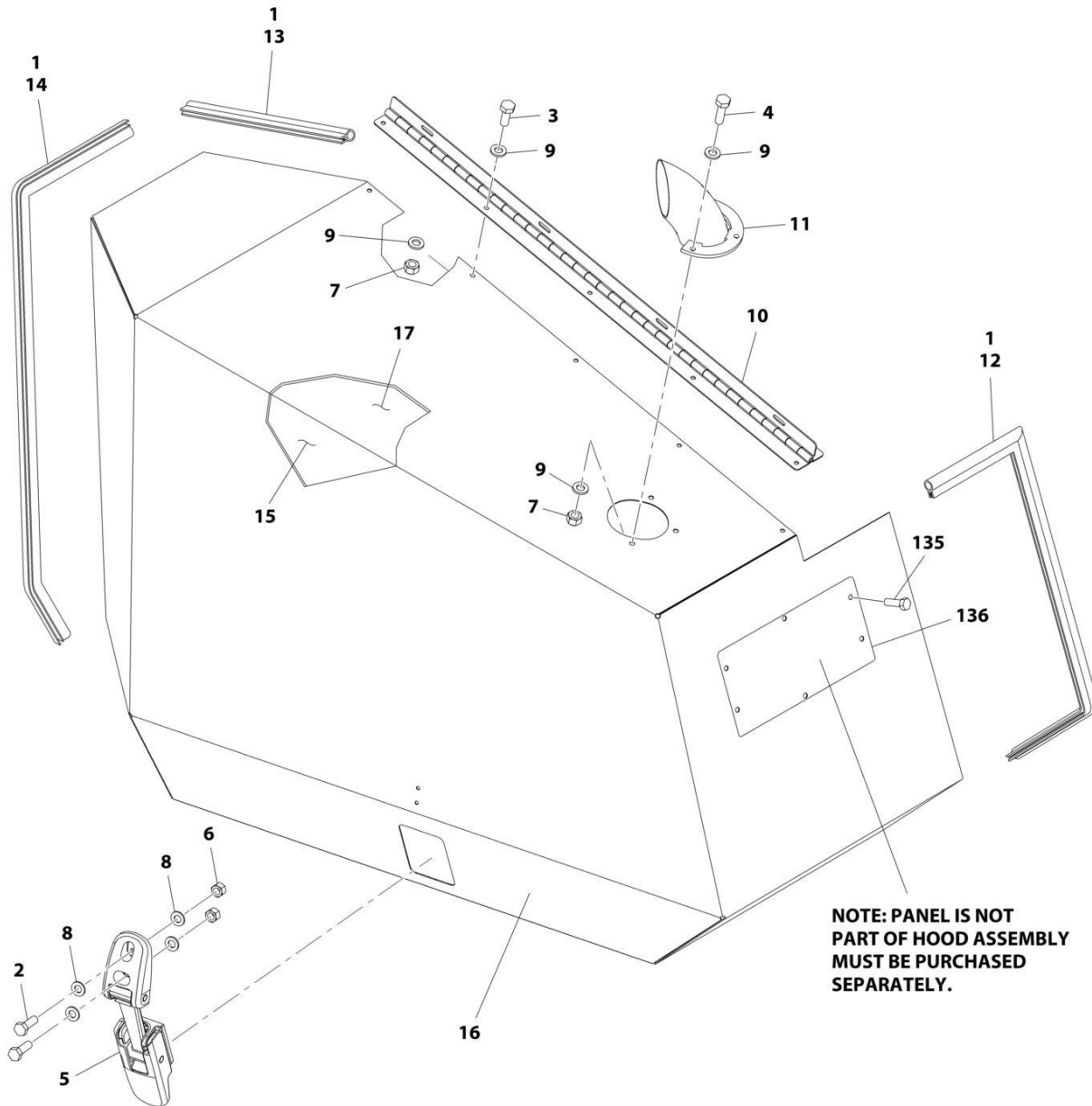
SECTION 2 - TURNTABLE

FIGURE 2-30. HOODS INSTALLATION

ITEM	PART NUMBER	QTY	DESCRIPTION	REV
	1001147590	Ref	HOODS INSTALLATION	B
1	80325	4	Hairpin, Cotter	
2	0100011	AR	Compound, Locking	
3	0701018	2	Bolt M10 x 50	
4	0760508	4	Bolt M5 x 16	
5	0760608	5	Bolt M6 x 16	
6	0760612	16	Bolt M6 x 25	
7	0761009	2	Bolt M10 x 18	
8	0761011	6	Bolt M10 x 22	
9	0761012	1	Bolt M10 x 25	
10	0761210	2	Bolt M12 x 20	
11	3290505	4	Nut M5	
12	3290605	19	Nut M6	
13	3291005	6	Nut M10	
14	3520030	1	Plug	
15	4811600	8	Washer M5	
16	4812000	6	Washer M10	
17	4812300	8	Washer M16	
18	5240600	22	Washer M6	
19	1001117239	1	Box, Battery	
20	1001117243	1	Cover, Turntable Center	
21	1001117282	2	Rod, Prop	
22	1001118361	1	Tank Side Hood Assembly (See TANK SIDE HOOD ASSEMBLY for Breakdown)	
23	1001118459	1	Plate, Hood Mount	
24	1001119072	1	Plate, Engine Side	
25	1001119080	1	Bracket	
26	1001119083	1	Mount, Latch	
27	1001119085	1	Tray	
28	1001119092	4	Bumper	
29	1001119103	1	Panel, Filler	
30	1001119104	1	Panel, Filler	
31	1001146824	1	Mount, Latch	
32	1001147441	1	Engine Side Hood Assembly (See ENGINE SIDE HOOD ASSEMBLY for Breakdown)	

SECTION 2 - TURNTABLE

FIGURE 2-31. ENGINE SIDE HOOD ASSEMBLY



NOTE: REPLACEMENT DECALS MUST BE ORDERED SEPERATELY - SEE DECALS SECTION FOR BREAKDOWN

ART_1001147441

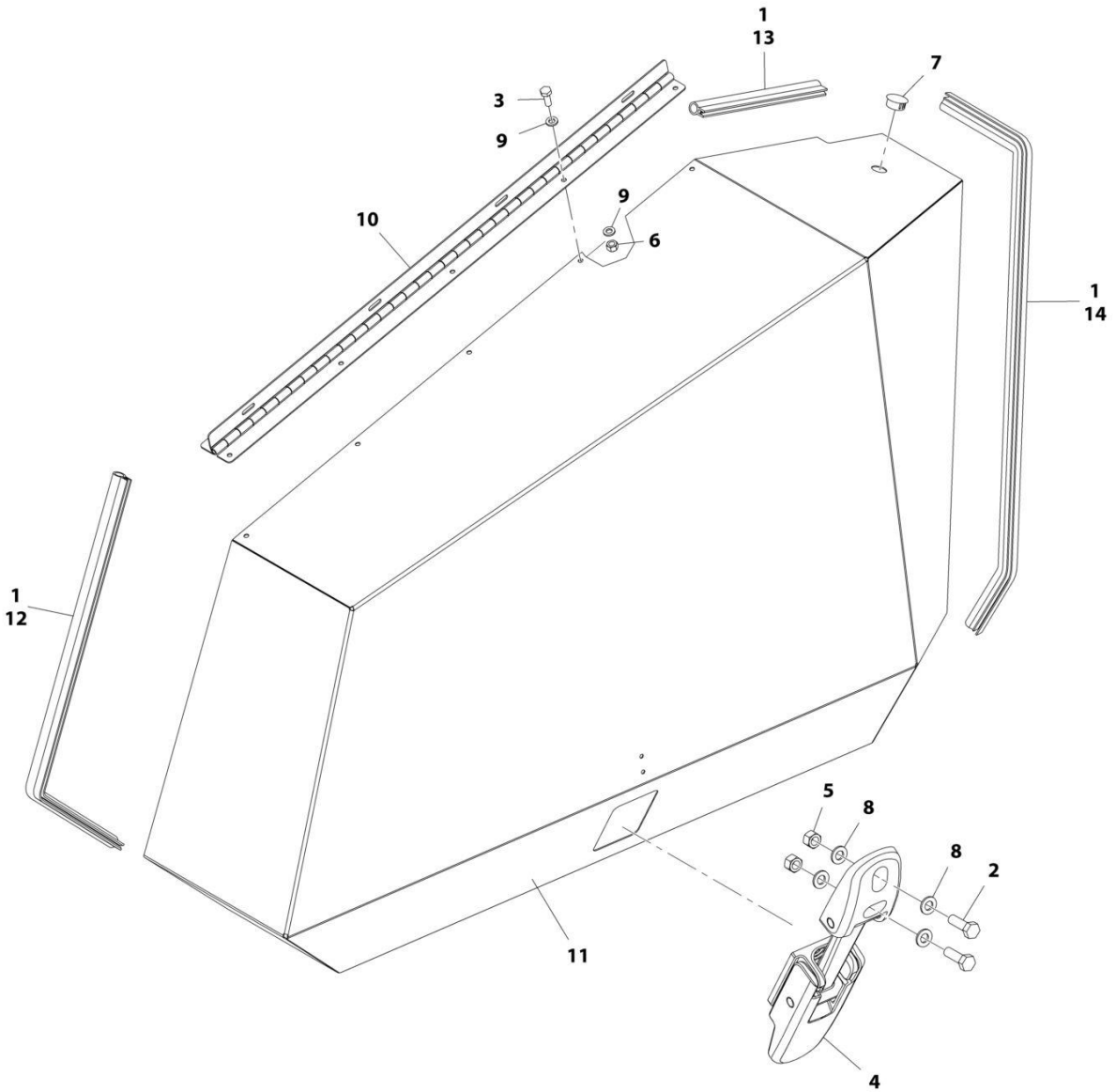
SECTION 2 - TURNTABLE

FIGURE 2-31. ENGINE SIDE HOOD ASSEMBLY

ITEM	PART NUMBER	QTY	DESCRIPTION	REV
	1001147441	Ref	ENGINE SIDE HOOD ASSEMBLY	A
1	0100081	AR	Adhesive	
2	0760508	2	Bolt M5 x 16	
3	0760608	5	Bolt M6 x 16	
4	0760610	3	Bolt M6 x 20	
5	2940109	1	Latch	
6	3290505	2	Nut M5	
7	3290605	8	Nut M6	
8	4811600	4	Washer M5	
9	4811700	16	Washer M6	
10	1001117281	1	Hinge	
11	1001119077	1	Pipe, Exhaust	
12	1001119086	1	Seal	
13	1001119087	1	Seal	
14	1001119088	1	Seal	
15	1001120749	1	Insulate, Heat Shield	
16	See Note	1	Hood, Replacement (Note: Use p/n 1001147441)	
17	1001147440	1	Insulate, Heat Shield	
135	2080040	10	Fastener, Huck	
136	1001137451	1	Panel (Note: Not Part of Hood Assembly. Must be Purchased separately)	

SECTION 2 - TURNTABLE

FIGURE 2-32. TANK SIDE HOOD ASSEMBLY



NOTE: REPLACEMENT DECALS MUST BE ORDERED SEPERATELY - SEE DECALS SECTION FOR BREAKDOWN

ART_1001118361

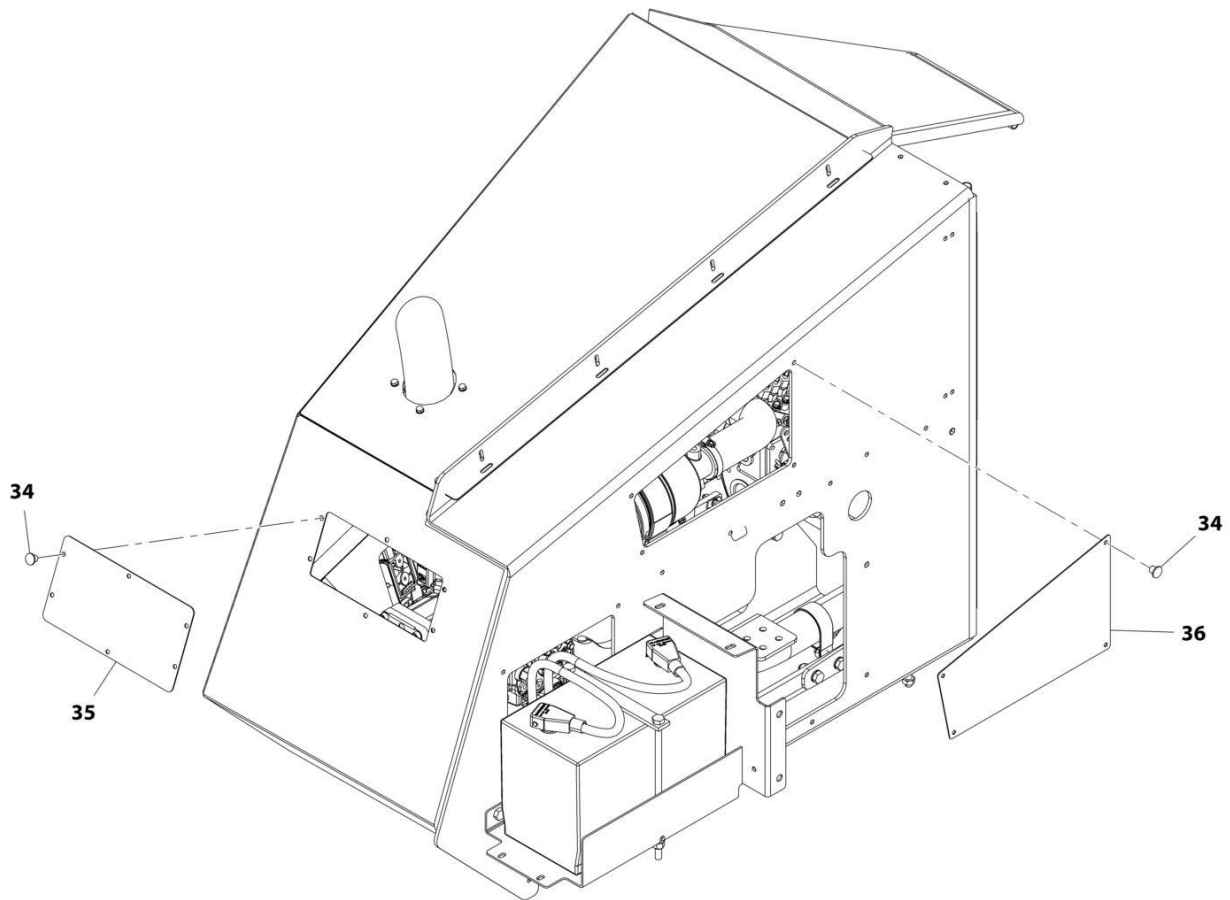
SECTION 2 - TURNTABLE

FIGURE 2-32. TANK SIDE HOOD ASSEMBLY

ITEM	PART NUMBER	QTY	DESCRIPTION	REV
	1001118361	Ref	TANK SIDE HOOD ASSEMBLY	B
1	0100081	AR	Adhesive	
2	0760508	2	Bolt M5 x 16	
3	0760608	5	Bolt M6 x 16	
4	2940109	1	Latch	
5	3290505	2	Nut M5	
6	3290605	5	Nut M6	
7	3520030	1	Plug, Hole	
8	4811600	4	Washer M5	
9	4811700	10	Washer M6	
10	1001117281	1	Hinge	
11	See Note	1	Hood, Replacement (Note: Use p/n 1001118361)	
12	1001119089	1	Seal	
13	1001119090	1	Seal	
14	1001119091	1	Seal	

SECTION 2 - TURNTABLE

FIGURE 2-33. KUBOTA ENGINE HOOD COMPONENTS (WITHOUT ARCTIC PACKAGE)



ART_1001161433_1OF3

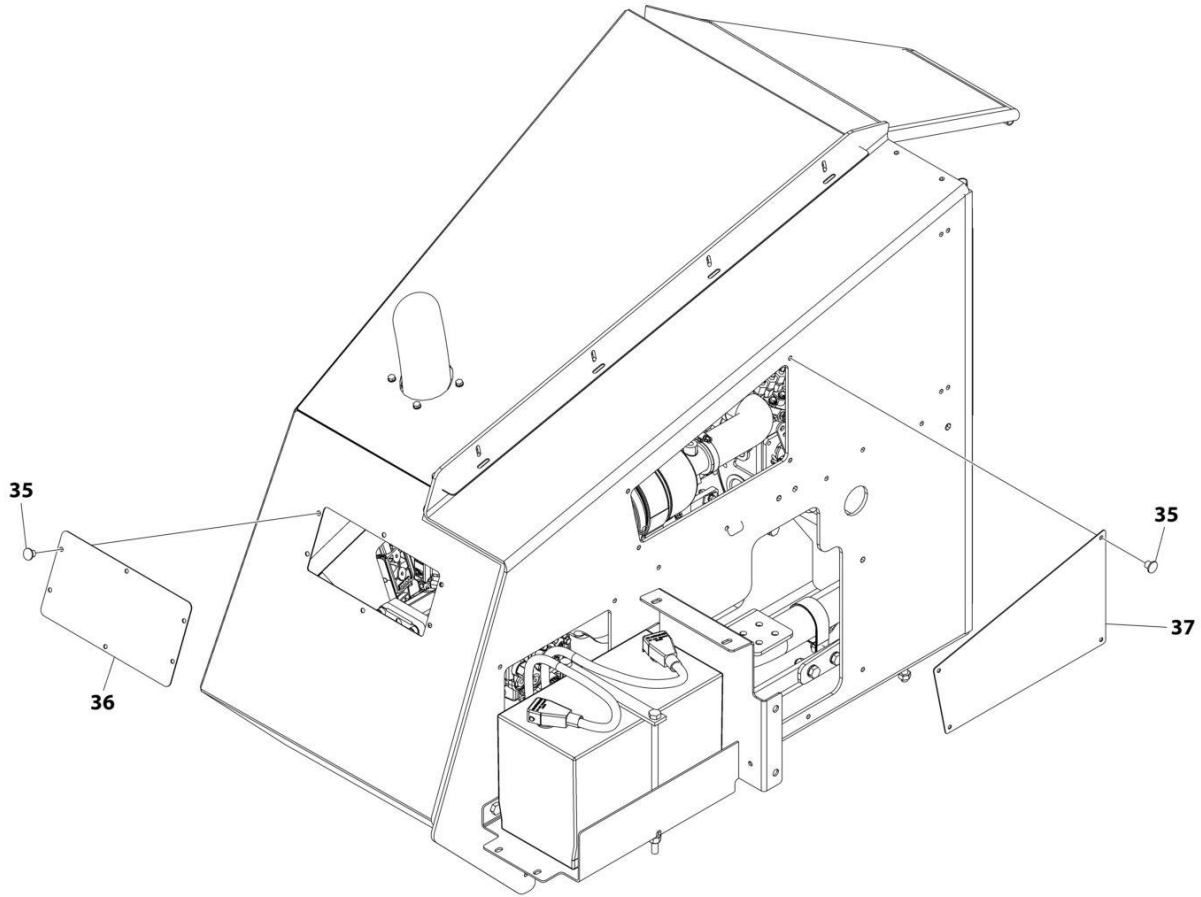
SECTION 2 - TURNTABLE

FIGURE 2-33. KUBOTA ENGINE HOOD COMPONENTS (WITHOUT ARCTIC PACKAGE)

ITEM	PART NUMBER	QTY	DESCRIPTION	REV
	1001161433	Ref	KUBOTA ENGINE HOOD COMPONENTS (WITHOUT ARCTIC PACKAGE)	F
34	2080040	10	Blind Fastener	
35	1001137451	1	Panel, Engine Hood	
36	1001137452	1	Panel, Engine Hood Mount	

SECTION 2 - TURNTABLE

FIGURE 2-34. KUBOTA ENGINE WITH 4000W GENERATOR HOOD COMPONENTS (WITHOUT ARCTIC PACKAGE)



ART_1001147470_10F3

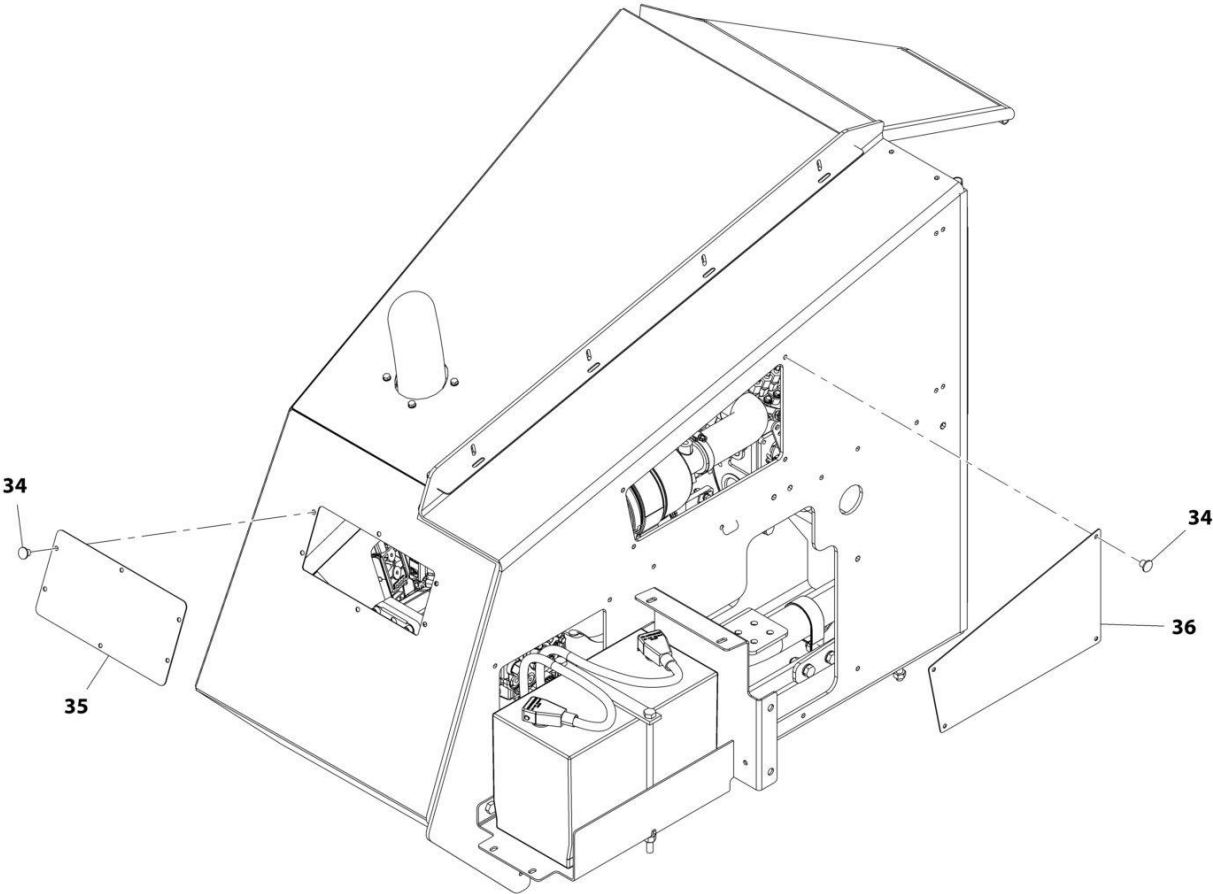
SECTION 2 - TURNTABLE

FIGURE 2-34. KUBOTA ENGINE WITH 4000W GENERATOR HOOD COMPONENTS (WITHOUT ARCTIC PACKAGE)

ITEM	PART NUMBER	QTY	DESCRIPTION	REV
	1001147470	Ref	KUBOTA ENGINE WITH 4000W GENERATOR HOOD COMPONENTS (WITHOUT ARCTIC PACKAGE)	E
35	2080040	10	Blind Fastener	
36	1001137451	1	Panel, Engine Hood	
37	1001137452	1	Panel, Engine Hood Mount	

SECTION 2 - TURNTABLE

FIGURE 2-35. KUBOTA ENGINE HOOD COMPONENTS (WITH ARCTIC PACKAGE)



ART_1001161434_10F3

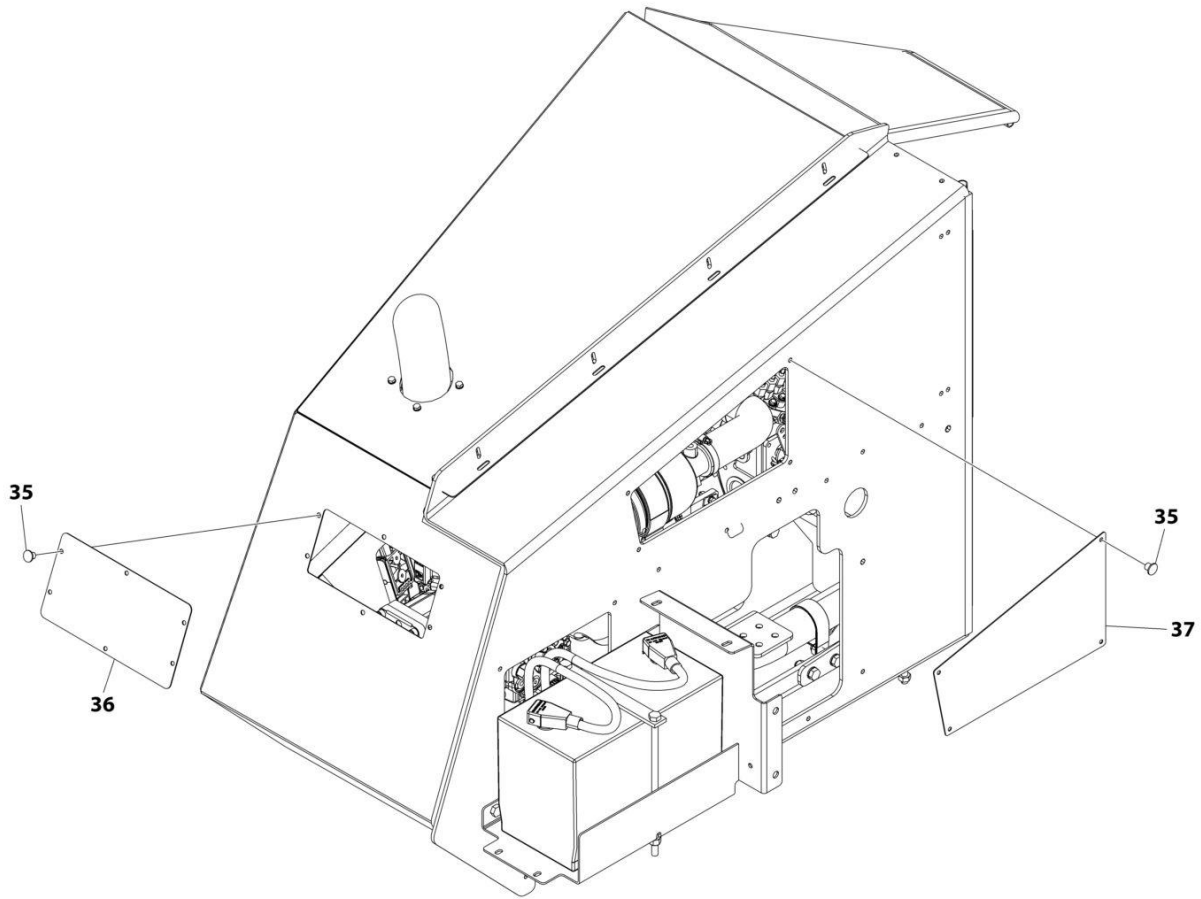
SECTION 2 - TURNTABLE

FIGURE 2-35. KUBOTA ENGINE HOOD COMPONENTS (WITH ARCTIC PACKAGE)

ITEM	PART NUMBER	QTY	DESCRIPTION	REV
	1001161434	Ref	KUBOTA ENGINE HOOD COMPONENTS (WITH ARCTIC PACKAGE)	F
34	2080040	10	Blind Fastener	
35	1001137451	1	Panel, Engine Hood	
36	1001137452	1	Panel, Engine Hood Mount	

SECTION 2 - TURNTABLE

FIGURE 2-36. KUBOTA ENGINE WITH 4000W GENERATOR HOOD COMPONENTS (WITH ARCTIC PACKAGE)



ART_1001147471_10F3

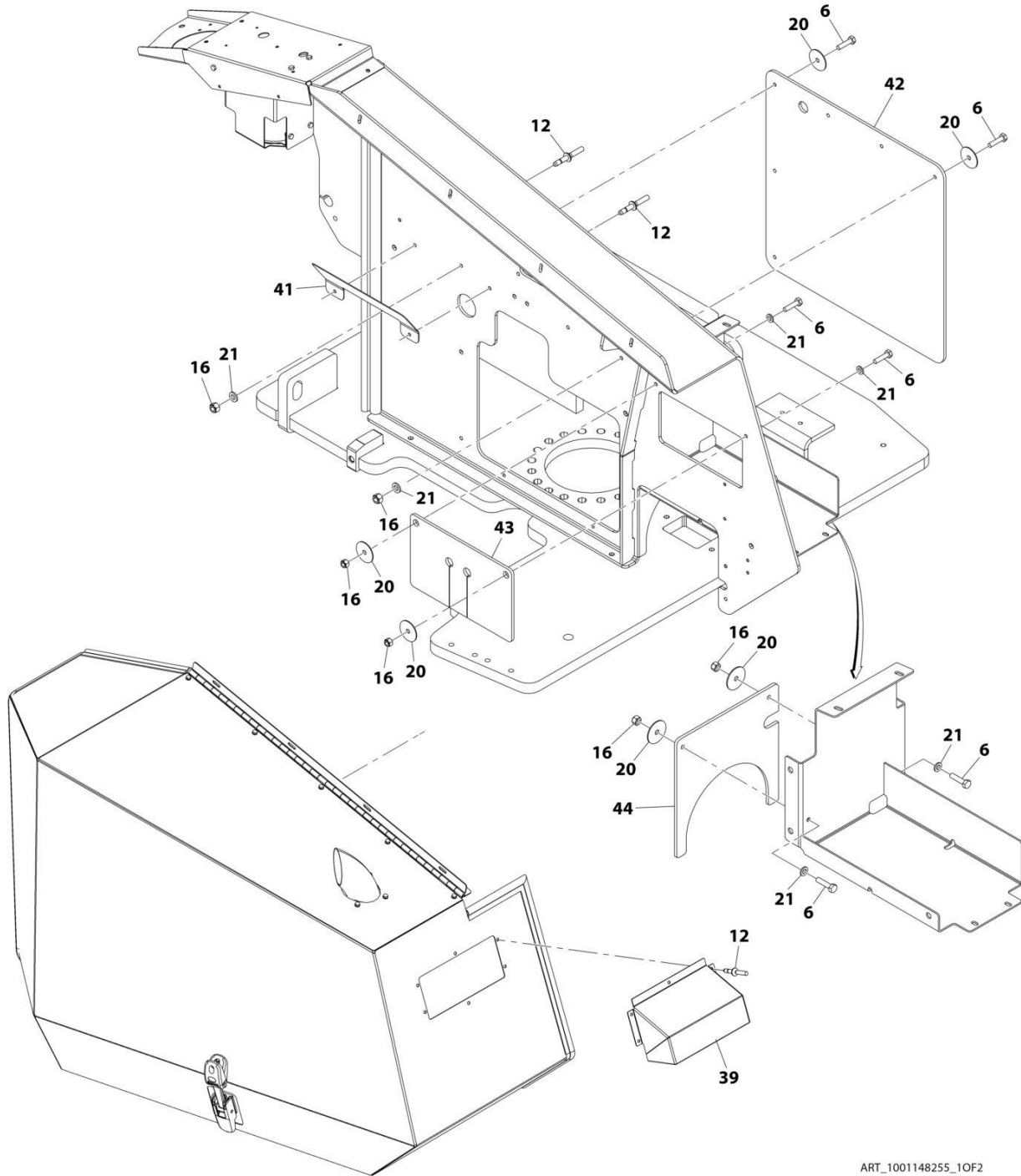
SECTION 2 - TURNTABLE

FIGURE 2-36. KUBOTA ENGINE WITH 4000W GENERATOR HOOD COMPONENTS (WITH ARCTIC PACKAGE)

ITEM	PART NUMBER	QTY	DESCRIPTION	REV
	1001147471	Ref	KUBOTA ENGINE WITH 4000W GENERATOR HOOD COMPONENTS (WITH ARCTIC PACKAGE)	E
35	2080040	10	Blind Fastener	
36	1001137451	1	Panel, Engine Hood	
37	1001137452	1	Panel, Engine Hood Mount	

SECTION 2 - TURNTABLE

FIGURE 2-37. GM ENGINE HOOD COMPONENTS (WITHOUT ARCTIC PACKAGE)



ART_1001148255_10F2

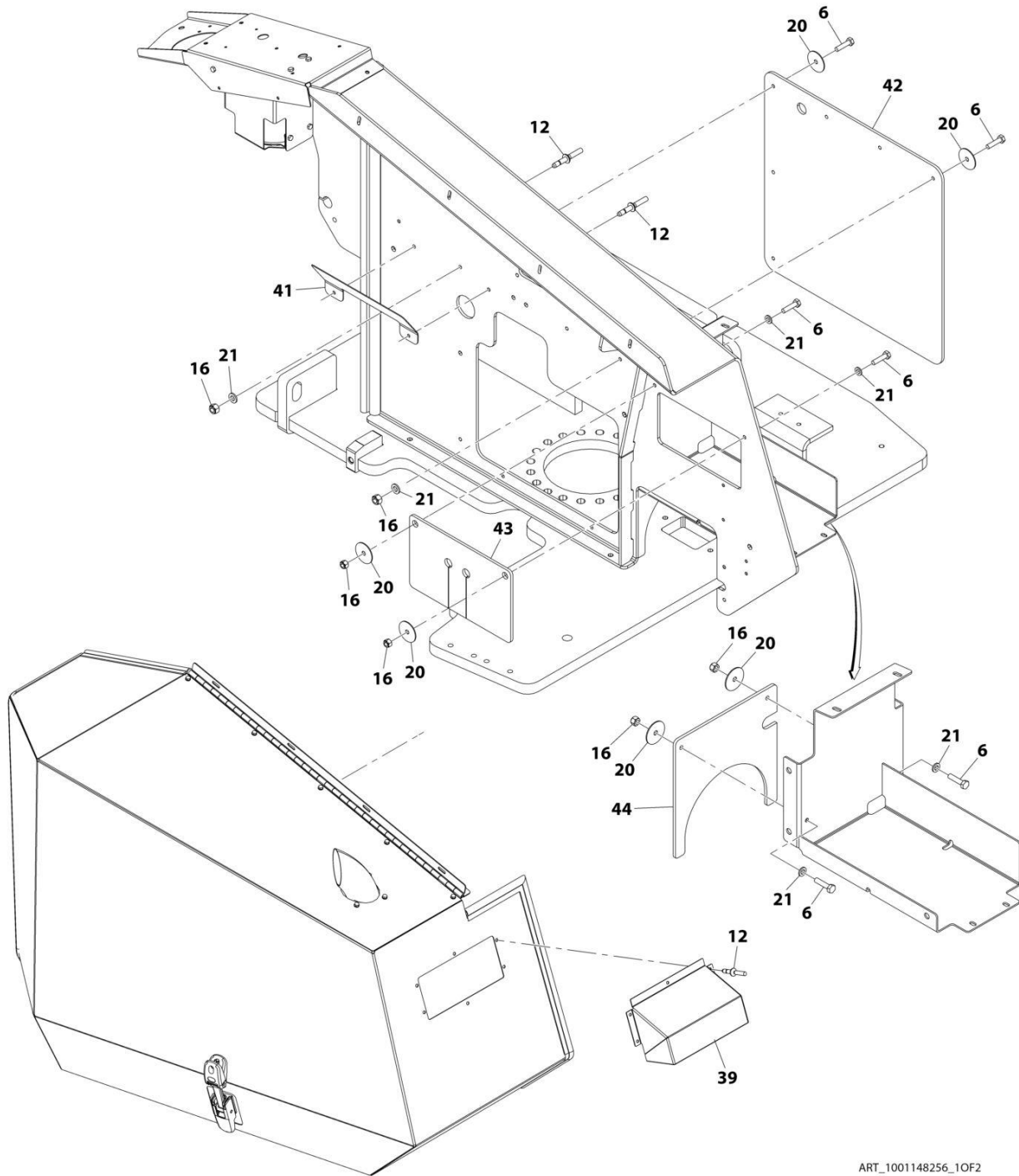
SECTION 2 - TURNTABLE

FIGURE 2-37. GM ENGINE HOOD COMPONENTS (WITHOUT ARCTIC PACKAGE)

ITEM	PART NUMBER	QTY	DESCRIPTION	REV
	1001148255	Ref	GM ENGINE HOOD COMPONENTS (WITHOUT ARCTIC PACKAGE)	H
6	0760612	10	Bolt M6 x 25	
12	2080040	7	Fastener, Huck	
16	3290605	10	Nut M6	
20	4740362	10	Washer, Fender	
21	4811700	10	Washer M6	
39	1001137337	1	Vent	
41	1001137369	1	Plate	
42	1001137397	1	Shield, Rubber	
43	1001137401	1	Shield, Rubber	
44	1001137402	1	Shield, Rubber	

SECTION 2 - TURNTABLE

FIGURE 2-38. GM ENGINE HOOD COMPONENTS (WITH ARCTIC PACKAGE)



ART_1001148256_10F2

SECTION 2 - TURNTABLE

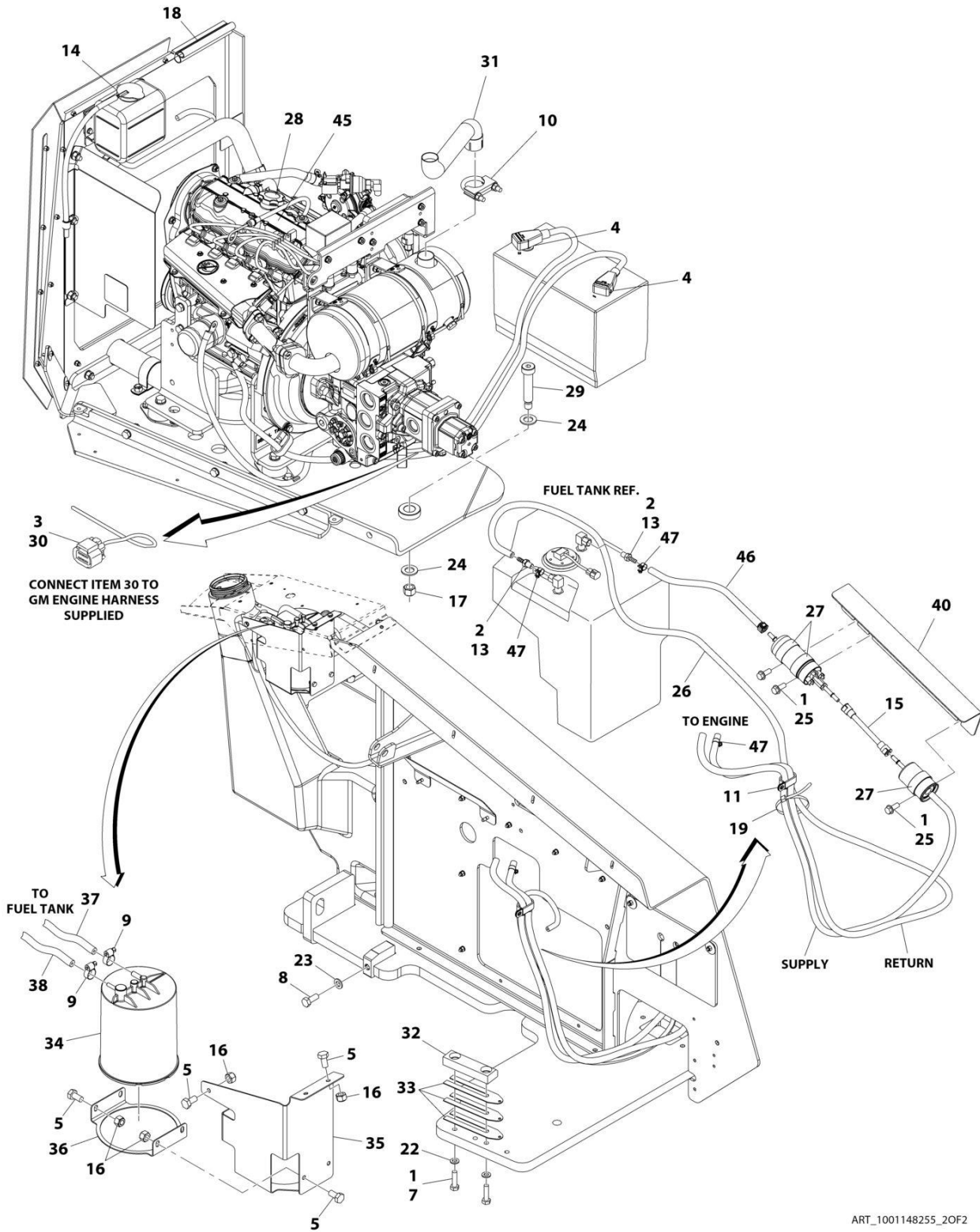
FIGURE 2-38. GM ENGINE HOOD COMPONENTS (WITH ARCTIC PACKAGE)

ITEM	PART NUMBER	QTY	DESCRIPTION	REV
	1001148256	Ref	GM ENGINE HOOD COMPONENTS (WITH ARCTIC PACKAGE)	G
6	0760612	10	Bolt M6 x 25	
12	2080040	7	Fastener, Huck	
16	3290605	10	Nut M6	
20	4740362	10	Washer, Fender	
21	4811700	10	Washer M6	
39	1001137337	1	Vent	
41	1001137369	1	Plate	
42	1001137397	1	Shield, Rubber	
43	1001137401	1	Shield, Rubber	
44	1001137402	1	Shield, Rubber	

SECTION 3 - ENGINE

SECTION 3 - ENGINE

FIGURE 3-1. GM ENGINE INSTALLATION (WITHOUT ARCTIC PACKAGE)



ART_1001148255_20F2

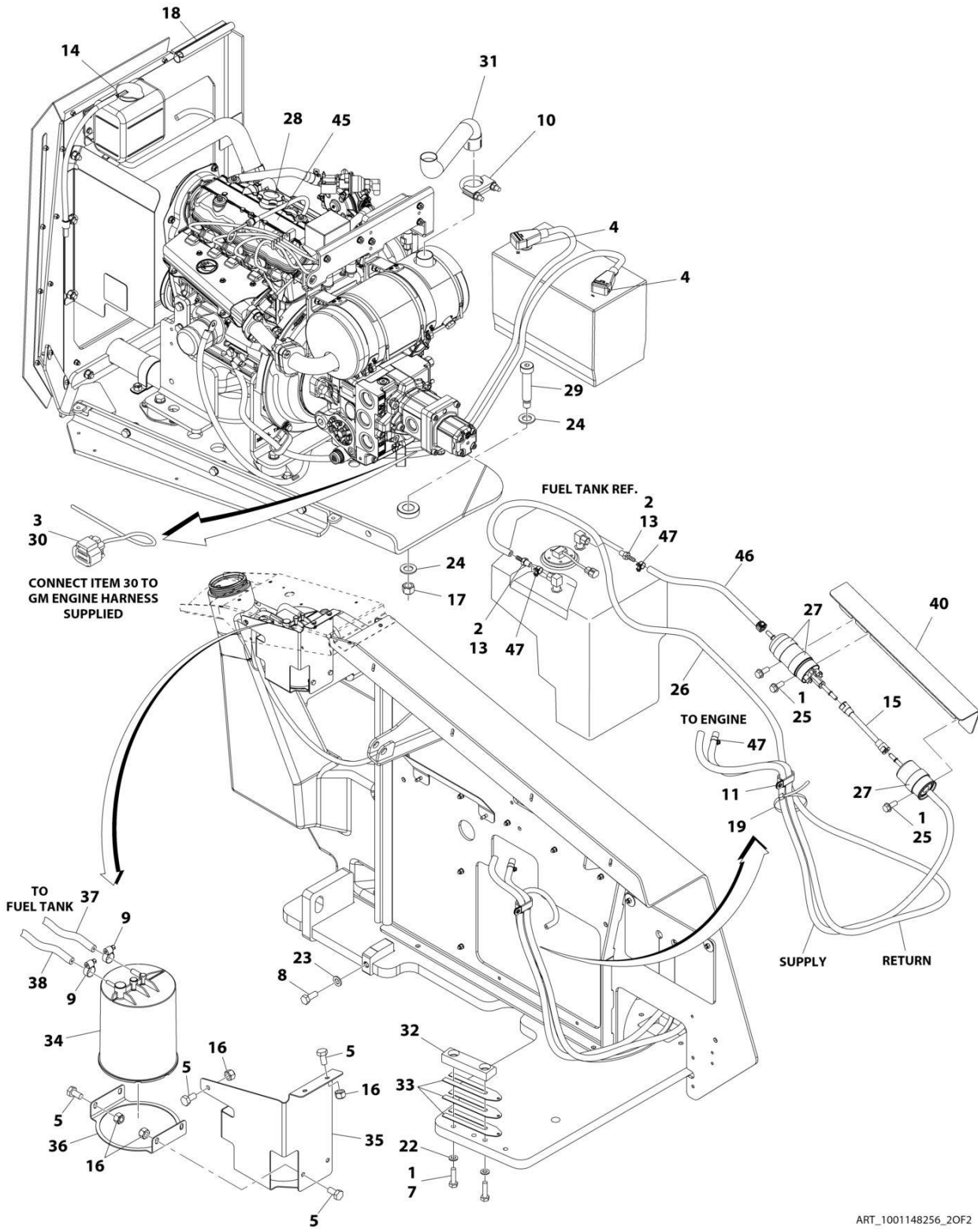
SECTION 3 - ENGINE

FIGURE 3-1. GM ENGINE INSTALLATION (WITHOUT ARCTIC PACKAGE)

ITEM	PART NUMBER	QTY	DESCRIPTION	REV
	1001148255	Ref	GM ENGINE INSTALLATION (WITHOUT ARCTIC PACKAGE)	H
1	0100011	AR	Compound, Locking	
2	0100020	AR	Sealant, Pipe	
3	0100048	AR	Grease, Dielectric	
4	0100051	AR	Grease, Battery Terminal	
5	0760606	7	Bolt M6 x 12	
7	0761016	2	Bolt M10 x 40	
8	0761214	1	Bolt M12 x 30	
8	0761217	1	Bolt M12 x 45	
9	1320022	4	Clamp, Fuel Line	
10	1320026	1	Clamp, Muffler	
11	1321283	1	Clamp	
13	2180348	2	Fitting, Barbed	
14	2300004	AR	Coolant	
15	1001156823	1	Hose	
16	3290605	7	Nut M6	
17	3291605	1	Nut M16	
18	3960464	8 ft /2.4m	Seal (SN 0300200802 through 03002230168)	
18	3960464	3 ft/0.9m	Seal (SN 0300223169 to Present)	
19	4240033	AR	Tie-Strap	
22	4812000	2	Washer M10	
23	4812102	1	Washer M12	
24	4812500	2	Washer M20	
25	5251012	3	Bolt M10 x 25	
26	1001156819	76 in /1.9m	Hose, Fuel Line	
27	1001097588	3	Clip, Tube	
28	1001115930	AR	Oil, Engine (SN 0300200802 through 0300215644)	
29	1001118646	1	Bolt M20 x 80	
30	1001119778	1	Harness, Fuel Pump (See ELECTRICAL SECTION for Breakdown)	
31	1001119902	1	Pipe, Exhaust	
32	1001120087	1	Pad, Wear	
33	1001120090	3	Shim 1.5	
34	1001128801	1	Canister, Carbon	
35	1001128931	1	Bracket, Mounting	
36	1001128936	1	Ring	
37	1001129255	7 in/17cm	Hose	
38	1001129256	9.5 ft /2.9m	Hose	
40	1001137367	1	Shield, Fuel Line	
45	1001148254	1	GM Engine and Pump Sub-Assembly See GM Engine and Pump Sub-Assembly for Breakdown)	
46	1001177156	1	Hose	
47	1001174486	4	Clamp, Hose	

SECTION 3 - ENGINE

FIGURE 3-2. GM ENGINE INSTALLATION (WITH ARCTIC PACKAGE)



ART_1001148256_20F2

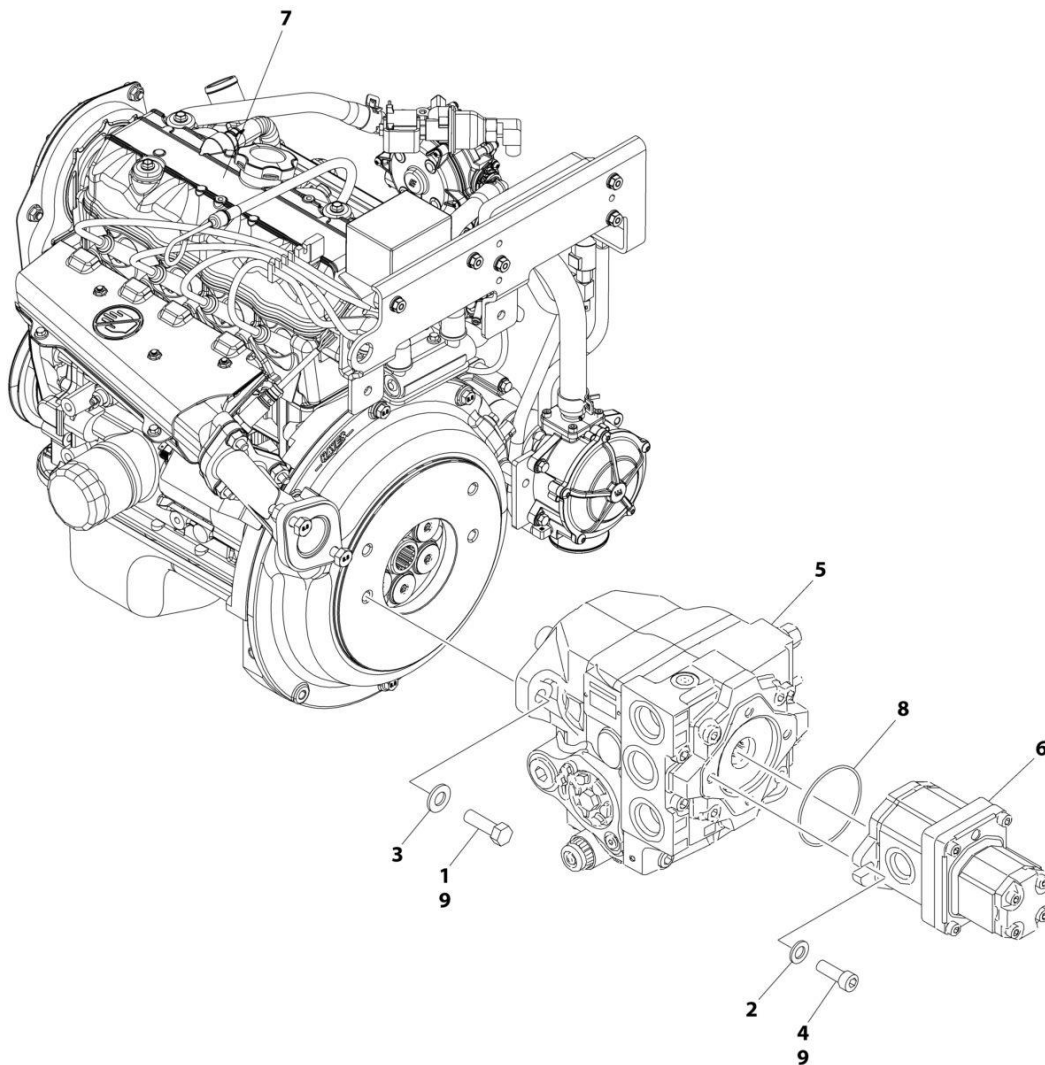
SECTION 3 - ENGINE

FIGURE 3-2. GM ENGINE INSTALLATION (WITH ARCTIC PACKAGE)

ITEM	PART NUMBER	QTY	DESCRIPTION	REV
	1001148256	Ref	GM ENGINE INSTALLATION (WITH ARCTIC PACKAGE)	G
1	0100011	AR	Compound, Locking	
2	0100020	AR	Sealant, Pipe	
3	0100048	AR	Grease, Dielectric	
4	0100051	AR	Grease, Battery Terminal	
5	0760606	7	Bolt M6 x 12	
7	0761016	2	Bolt M10 x 40	
8	0761214	1	Bolt M12 x 30	
8	0761217	1	Bolt M12 x 45	
9	1320022	4	Clamp, Fuel Line	
10	1320026	1	Clamp, Muffler	
11	1321283	1	Clamp	
13	2180348	2	Fitting, Barbed	
14	2300041	AR	Coolant	
15	1001156823	1	Hose	
16	3290605	7	Nut M6	
17	3291605	1	Nut M16	
18	3960464	8 ft /2.4m	Seal	
19	4240033	AR	Tie-Strap	
22	4812000	2	Washer M10	
23	4812102	1	Washer M12	
24	4812500	2	Washer M20	
25	5251012	3	Bolt M10 x 25	
26	1001156819	76 in /1.9m	Hose, Fuel Line	
27	1001097588	3	Clip, Tube	
28	1001115931	AR	Oil, Engine (SN 0300200802 through 0300215644)	
29	1001118646	1	Bolt M20 x 80	
30	1001119778	1	Harness, Fuel Pump (See ELECTRICAL SECTION for Breakdown)	
31	1001119902	1	Pipe, Exhaust	
32	1001120087	1	Pad, Wear	
33	1001120090	3	Shim 1.5	
34	1001128801	1	Canister, Carbon	
35	1001128931	1	Bracket, Mounting	
36	1001128936	1	Ring	
37	1001129255	7 in/17cm	Hose	
38	1001129256	9.5 ft /2.9m	Hose	
40	1001137367	1	Shield, Fuel Line	
45	1001148254	1	GM Engine and Pump Sub-Assembly See GM Engine and Pump Sub-Assembly for Breakdown)	
46	1001177156	1	Hose	
47	1001174486	4	Clamp, Hose	

SECTION 3 - ENGINE

FIGURE 3-3. GM ENGINE AND PUMP SUB-ASSEMBLY



ART_1001148254

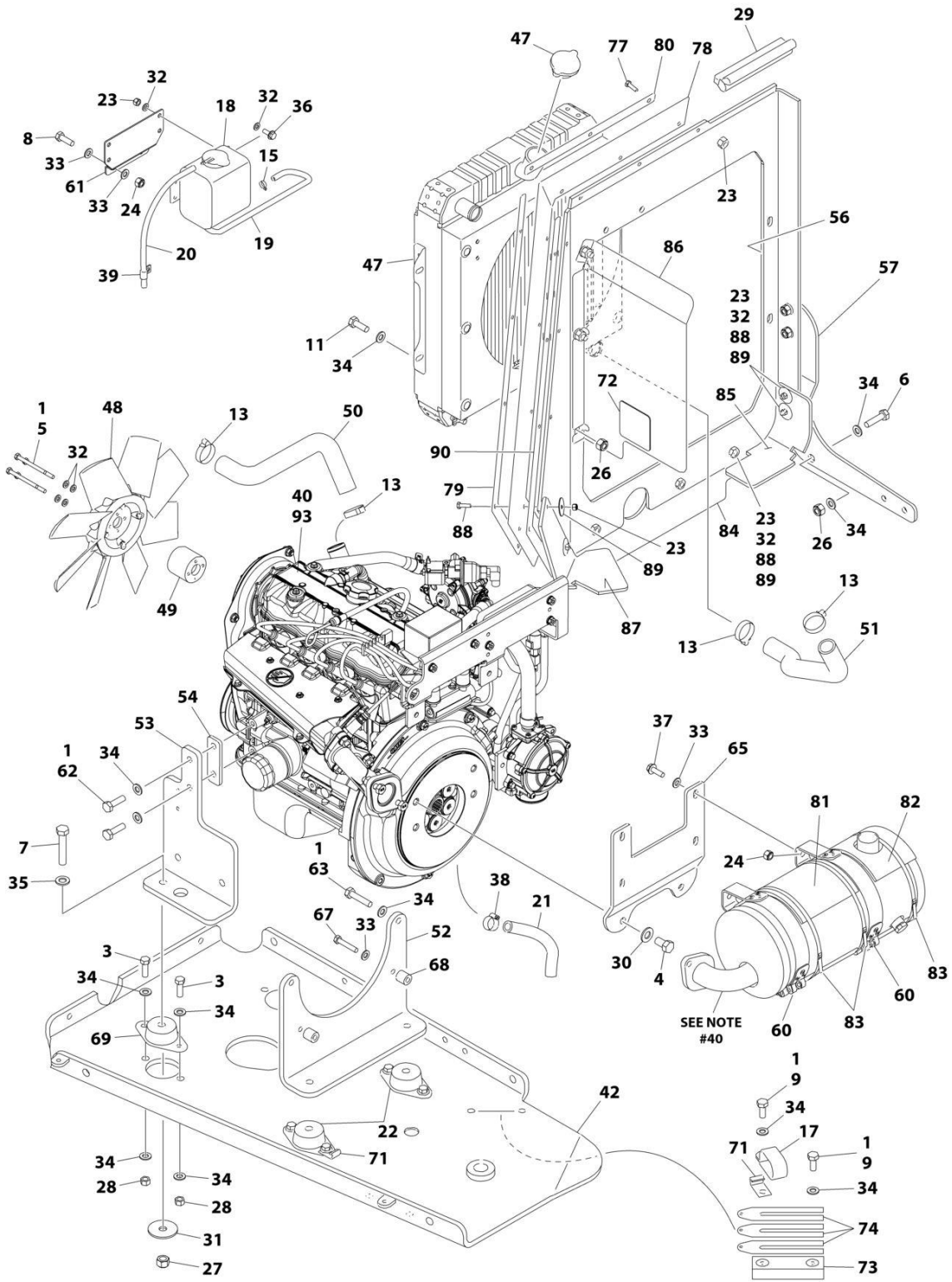
SECTION 3 - ENGINE

FIGURE 3-3. GM ENGINE AND PUMP SUB-ASSEMBLY

ITEM	PART NUMBER	QTY	DESCRIPTION	REV
	1001148254	Ref	GM ENGINE AND PUMP SUB-ASSEMBLY	F
1	0641813	2	Bolt 1/2 x 1-5/8	
2	4891600	2	Washer 3/8	
3	4891800	2	Washer 1/2	
4	83191040	2	Capscrew M10 x 30	
5	1001117028	1	Axial Pump Assembly (See AXIAL PUMP ASSEMBLY for Breakdown)	
6	1001117029	1	Gear Pump Assembly (See GEAR PUMP ASSEMBLY for Breakdown)	
7	1001148253	1	GM Engine Assembly (See GM ENGINE ASSEMBLY for Breakdown) (SN 0300200802 through 0300201321)	
7	1001195234	1	GM Engine Assembly (See GM ENGINE ASSEMBLY for Breakdown) (SN 0300201322 to Present)	
8	3790152	1	O-Ring	
9	0100011	AR	Compound, Locking (SN 0300233756 to Present)	

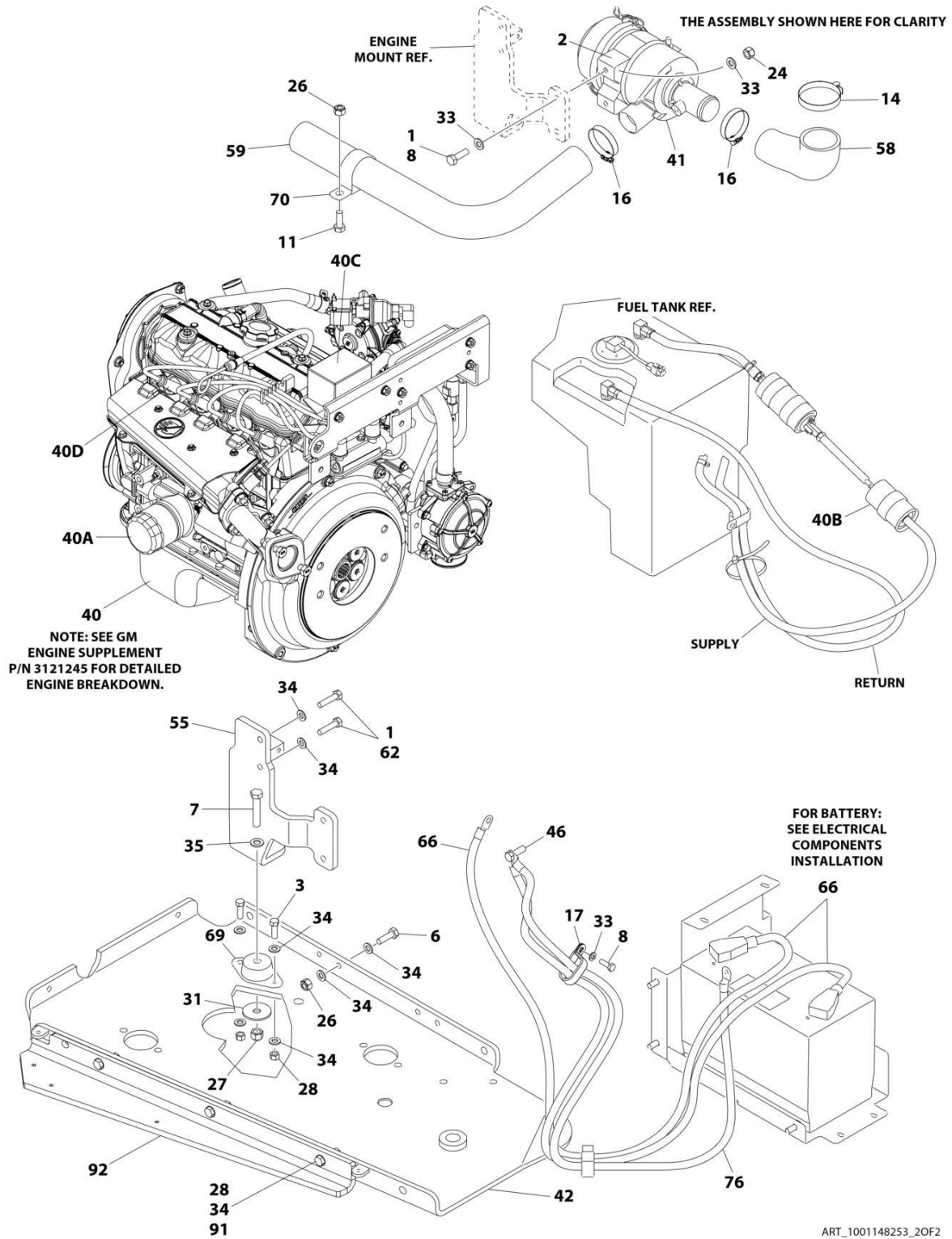
SECTION 3 - ENGINE

FIGURE 3-4. GM ENGINE ASSEMBLY (SN 0300200802 through 0300201321)



ART_1001148253_1OF2

SECTION 3 - ENGINE



ART_1001148253_20F2

SECTION 3 - ENGINE

FIGURE 3-4. GM ENGINE ASSEMBLY (SN 0300200802 through 0300201321)

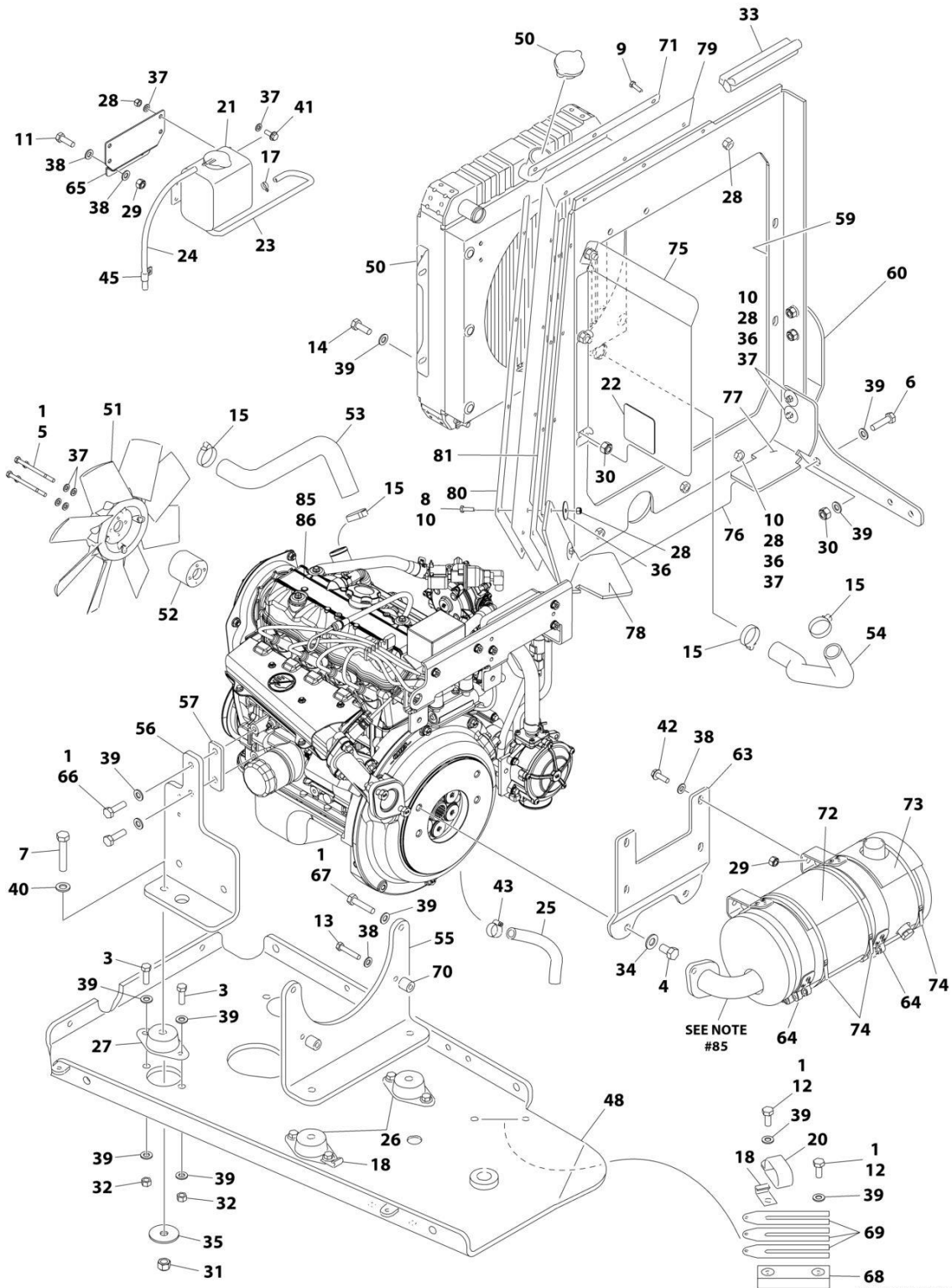
ITEM	PART NUMBER	QTY	DESCRIPTION	REV
	1001148253	Ref	GM ENGINE ASSEMBLY (SN 0300200802 through 0300201321)	E
1	0100011	AR	Compound, Locking	
2	0340045	2	Band, Mounting	
3	0641609	8	Bolt 3/8 x 1-1/8	
4	0641807	2	Bolt 1/2 x 7/8	
5	0700621	4	Bolt M6 x 65	
6	0701015	7	Bolt M10 x 35	
7	0701221	4	Bolt M12 x 65	
8	0760812	6	Bolt M8 x 25	
9	0760814	AR	Bolt M8 x 30	
11	0761014	8	Bolt M10 x 30	
13	1320012	4	Clamp	
14	1320016	1	Clamp	
15	1320022	3	Clamp	
16	1321682	2	Clamp	
17	1321716	2	Clamp	
18	1580011	1	Container, Coolant Overflow	
19	2720058	18 in /46cm	Hose	
20	2720271	19 in /47cm	Hose	
21	2720615	6.5 in /17cm	Hose	
22	3200378	2	Mount, Motor	
23	3290605	17	Nut M6	
24	3290805	8	Nut M8	
26	3291005	13	Nut M10	
27	3291205	4	Nut M12	
28	3311605	8	Nut 3/8	
29	3960464	6.5 in /17cm	Seal	
30	4711800	2	Washer 1/2	
31	4740274	4	Washer	
32	4811700	13	Washer M6	
33	4811900	18	Washer M8	
34	4812000	48	Washer M10	
35	4812100	4	Washer M12	
36	5250608	4	Bolt M6 x 16	
37	5250812	4	Bolt M8 x 25	
38	8405006	1	Clamp	
39	85941016	1	Clamp	
40	1001117892	1	Engine, GM (See GM Engine Supplement P/N 3121245 for Breakdown of Additional Components)	
40A	70002979	1	Filter, Oil	
40B	7027972	1	Filter, Fuel	
40C	70003178	1	Module, Control	
40D	70003179	4	Plug, Spark	
41	1001118280	1	Air Filter Assembly	A
41	7015004	1	Element, Air Filter	
41	1340069	1	Valve, Vacuum	
41	7015005	1	Cover	

SECTION 3 - ENGINE

ITEM	PART NUMBER	QTY	DESCRIPTION	REV
42	1001118453	1	Tray, Engine	
46	1001118746	1	Bolt M10 x 25	
47	1001119494	1	Radiator	
47	70002899	1	Cap, Radiator	
48	1001119495	1	Fan	
49	1001119496	1	Spacer, Fan	
50	1001119635	1	Hose, Upper Radiator	
51	1001119636	1	Hose, Lower Radiator	
52	1001119640	1	Plate, Rear Engine	
53	1001119641	1	Plate, LH Front Engine	
54	1001119643	1	Spacer, Mounting	
55	1001119644	1	Plate, RH Front Engine	
56	1001119649	1	Mount, Radiator	
57	1001119698	1	Gusset, Radiator	
58	1001119699	1	Elbow, Air Intake	
59	1001119700	1	Hose, Air Intake	
60	1001119727	2	Clamp, Muffler	
61	1001119730	1	Bracket, Coolant Overflow Tank	
62	1001119929	4	Bolt M10 x 35	
63	1001119930	2	Bolt M10 x 50	
65	1001119701	1	Bracket, Muffler Mounting	
66	1001118594	1	Battery Cable Kit	B
66	4461231	1	Battery Terminal and Red Cover Only (No Cable)	
66	4461232	1	Battery Terminal and Black Cover Only (No Cable)	
67	0760817	2	Bolt M8 x 45	
68	1001120454	2	Housing, Spacer	
69	3200425	2	Mount, Engine	
70	80673025	1	P-Clamp	
71	1320223	2	J-Clip	
72	1703162	2	Decal - Fan Blade	
73	1001120087	1	Pad, Wear	
74	1001120090	3	Shim	
76	1001120450	1	Cable, Ground	
77	0760610	6	Bolt M6 x 20	
78	1001147365	1	Seal, Radiator Hood	
79	1001147642	1	Plate, Seal Support	
80	1001123018	1	Plate, Seal Support	
81	1001137326	1	Insulate, Muffler	
82	1001137327	1	Insulate, Muffler	
83	1001137336	3	Strap	
84	1001137398	1	Shield, Rubber	
85	1001137399	1	Shield, Rubber	
86	1001137371	1	Deflector	
87	1001137400	1	Shield, Rubber	
88	0760612	7	Bolt M6 x 25	
89	4740362	7	Washer	
90	1001147643	1	Plate, Seal Support	
91	0761016	3	Bolt M10 x 40	
92	1001148975	1	Plate, Engine Tray	
93	1001190775	3 gal /11.4L	Oil, Motor	

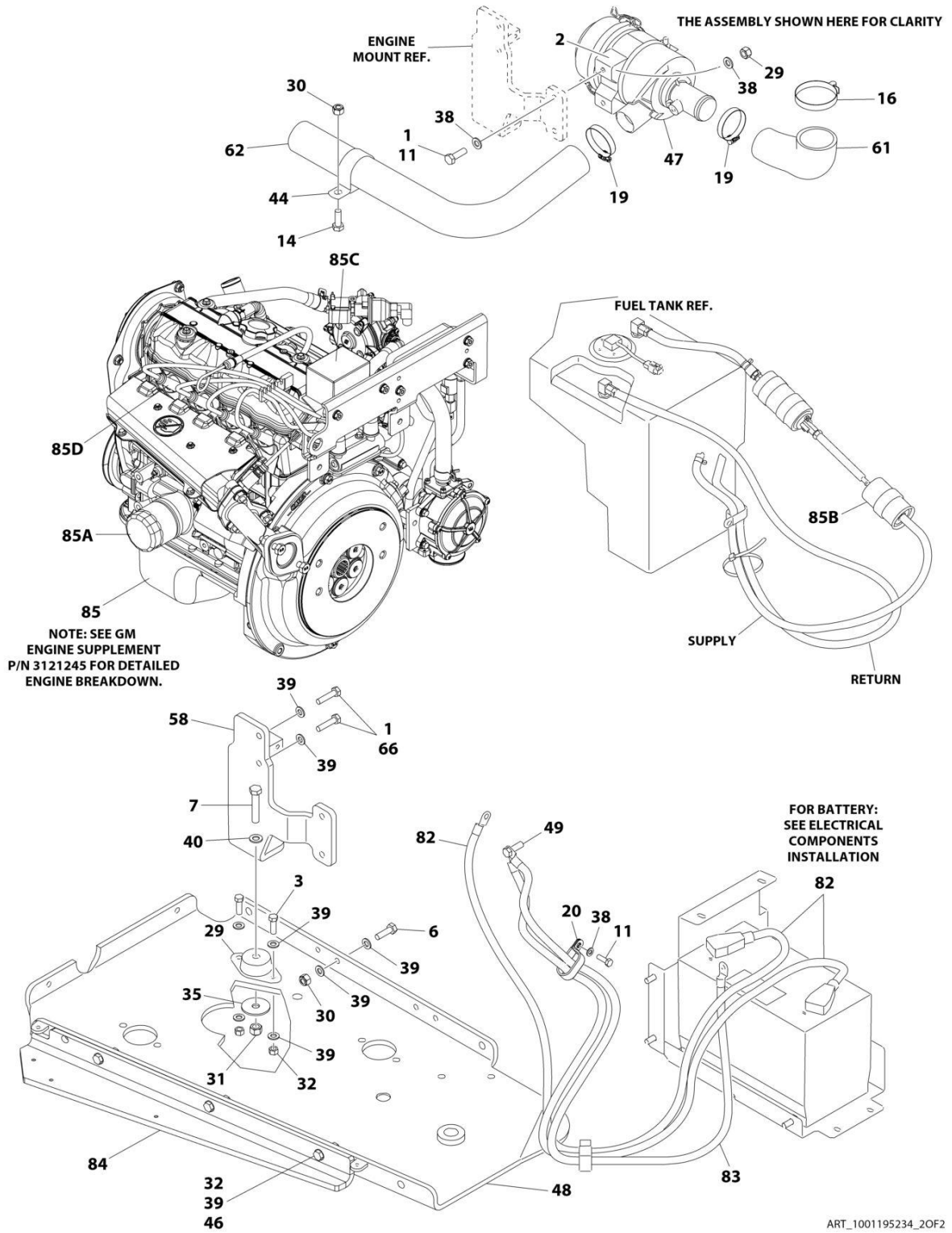
SECTION 3 - ENGINE

FIGURE 3-5. GM ENGINE ASSEMBLY (SN 0300201322 to Present)



ART_1001195234_10F2

SECTION 3 - ENGINE



SECTION 3 - ENGINE

FIGURE 3-5. GM ENGINE ASSEMBLY (SN 0300201322 to Present)

ITEM	PART NUMBER	QTY	DESCRIPTION	REV
	1001195234	Ref	GM ENGINE ASSEMBLY (SN 0300201322 to Present)	C
1	0100011	AR	Compound, Locking	
2	0340045	2	Band, Mounting	
3	0641609	8	Bolt 3/8 x 1-1/8	
4	0641807	2	Bolt 1/2 x 7/8	
5	0700621	4	Bolt M6 x 65	
6	0701015	7	Bolt M10 x 35	
7	0701221	4	Bolt M12 x 65	
8	0760608	5	Bolt M6 x 16	
9	0760610	6	Bolt M6 x 20	
10	0760612	7	Bolt M6 x 25	
11	0760812	6	Bolt M8 x 25	
12	0760814	2	Bolt M8 x 30	
13	0760817	2	Bolt M8 x 45	
14	0761014	8	Bolt M10 x 30	
15	1320012	4	Clamp	
16	1320016	1	Clamp	
17	1320022	3	Clamp	
18	1320223	2	J-Clip	
19	1321682	2	Clamp	
20	1321716	2	Clamp	
21	1580011	1	Container, Coolant Overflow	
22	1703162	2	Decal - Fan Blade	
23	2720058	18 in /46cm	Hose	
24	2720271	19 in /47cm	Hose	
25	2720615	6.5 in /17cm	Hose	
26	3200378	2	Mount, Motor	
27	3200425	2	Mount, Engine	
28	3290605	22	Nut M6	
29	3290805	8	Nut M8	
30	3291005	16	Nut M10	
31	3291205	4	Nut M12	
32	3311605	8	Nut 3/8	
33	3960464	6.5 in /17cm	Seal	
34	4711800	2	Washer 1/2	
35	4740274	4	Washer	
36	4740362	7	Washer	
37	4811700	13	Washer M6	
38	4811900	18	Washer M8	
39	4812000	54	Washer M10	
40	4812100	4	Washer M12	
41	5250608	4	Bolt M6 x 16	
42	5250812	4	Bolt M8 x 25	
43	8405006	1	Clamp	
44	80673025	1	P-Clamp	
45	85941016	1	Clamp	

SECTION 3 - ENGINE

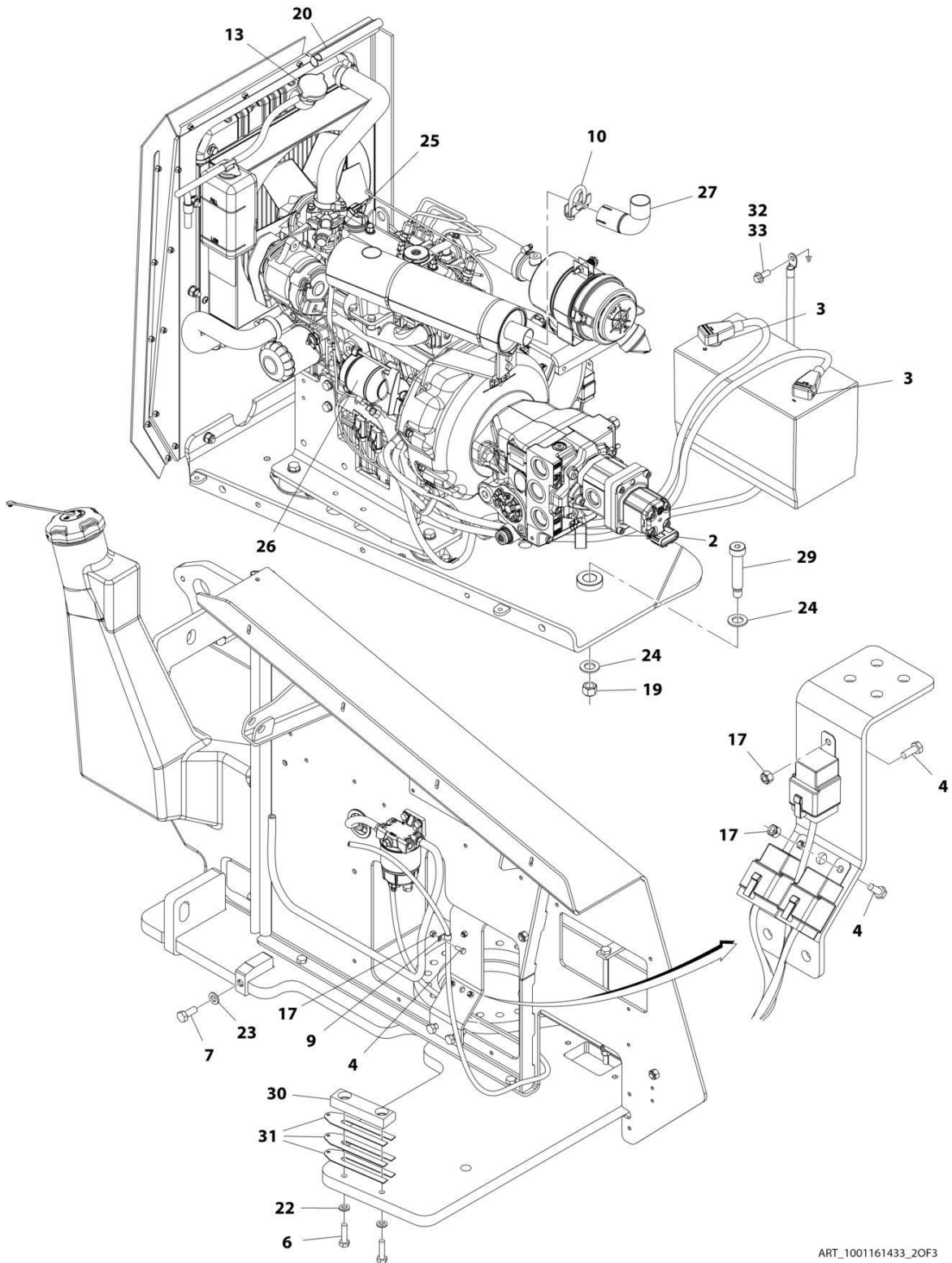
ITEM	PART NUMBER	QTY	DESCRIPTION	REV
46	0761016	3	Bolt M10 x 40	
47	1001118280	1	Air Filter Assembly	A
47	7015004	1	Element, Air Filter	
47	1340069	1	Valve, Vacuum	
47	7015005	1	Cover	
48	1001118453	1	Tray, Engine	
49	1001118746	1	Bolt M10 x 25	
50	1001119494	1	Radiator	
50	70002899	1	Cap, Radiator	
51	1001119495	1	Fan	
52	1001119496	1	Spacer, Fan	
53	1001119635	1	Hose, Upper Radiator	
54	1001119636	1	Hose, Lower Radiator	
55	1001119640	1	Plate, Rear Engine	
56	1001119641	1	Plate, LH Front Engine	
57	1001119643	1	Spacer, Mounting	
58	1001119644	1	Plate, RH Front Engine	
59	1001119649	1	Mount, Radiator	
60	1001119698	1	Gusset, Radiator	
61	1001119699	1	Elbow, Air Intake	
62	1001119700	1	Hose, Air Intake	
63	1001119701	1	Bracket, Muffler Mounting	
64	1001119727	2	Clamp, Muffler	
65	1001119730	1	Bracket, Coolant Overflow Tank	
66	1001119929	4	Bolt M10 x 35	
67	1001119930	2	Bolt M10 x 50	
68	1001120087	1	Pad, Wear	
69	1001120090	3	Shim	
70	1001120454	2	Housing, Spacer	
71	1001123018	1	Plate, Seal Support	
72	1001137326	1	Insulate, Muffler	
73	1001137327	1	Insulate, Muffler	
74	1001137336	3	Strap	
75	1001137371	1	Deflector	
76	1001137398	1	Shield, Rubber	
77	1001137399	1	Shield, Rubber	
78	1001137400	1	Shield, Rubber	
79	1001147365	1	Seal, Radiator Hood	
80	1001147642	1	Plate, Seal Support	
81	1001147643	1	Plate, Seal Support	
82	1001118594	1	Battery Cable Kit	B
82	4461231	1	Battery Terminal and Red Cover Only (No Cable)	
82	4461232	1	Battery Terminal and Black Cover Only (No Cable)	
83	1001120450	1	Cable, Ground	
84	1001148975	1	Plate, Engine Tray	
85	1001194741	1	Engine, GM (See GM Engine Supplement P/N 3121245 for Breakdown of Additional Components)	
85A	70002979	1	Filter, Oil	
85B	7027972	1	Filter, Fuel	
85C	70003178	1	Module, Control	
85D	70003179	4	Plug, Spark	
86	1001190775	3 gal /	Oil, Motor (SN 0300215644 to Present)	

SECTION 3 - ENGINE

ITEM	PART NUMBER	QTY	DESCRIPTION	REV
		11.4L		

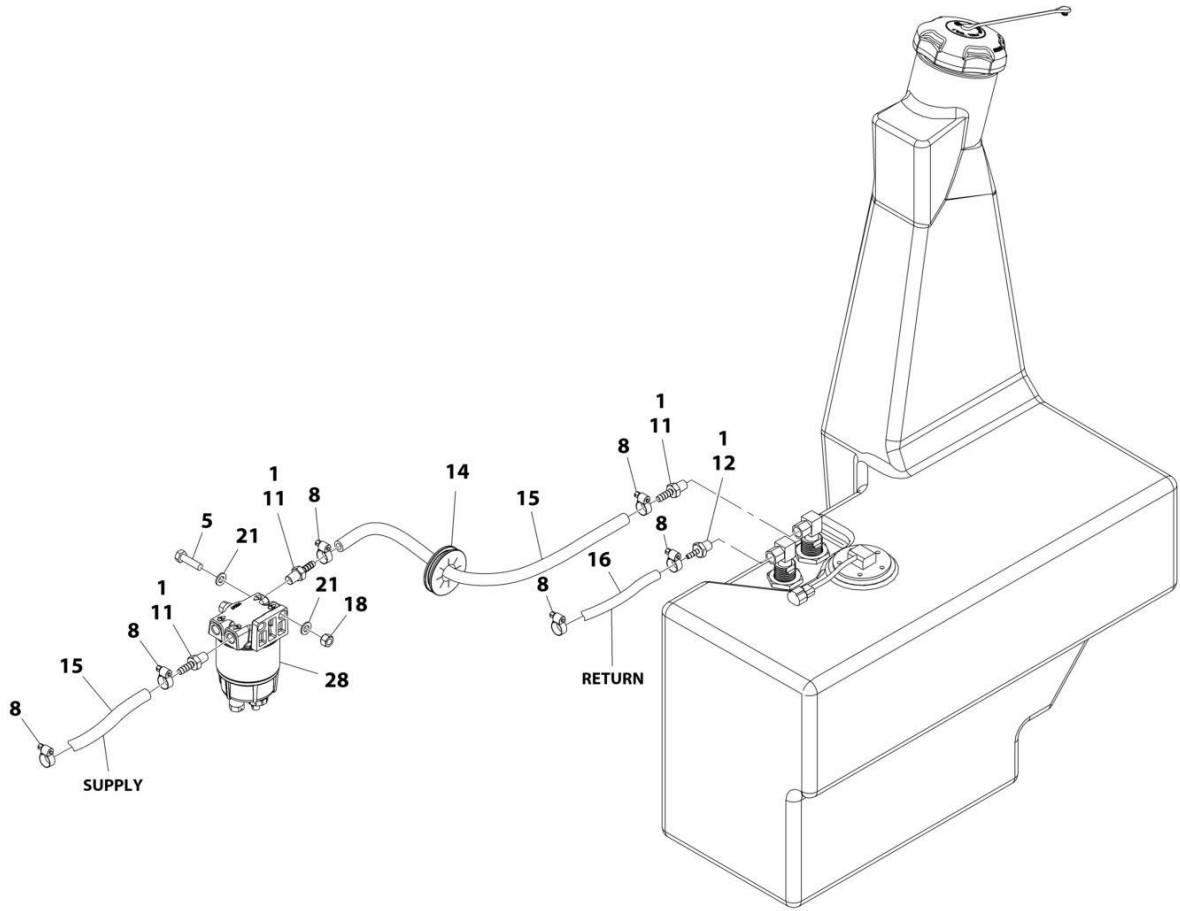
SECTION 3 - ENGINE

FIGURE 3-6. KUBOTA ENGINE INSTALLATION (WITHOUT ARCTIC PACKAGE)



ART_1001161433_20F3

SECTION 3 - ENGINE



ART_1001161433_30F3

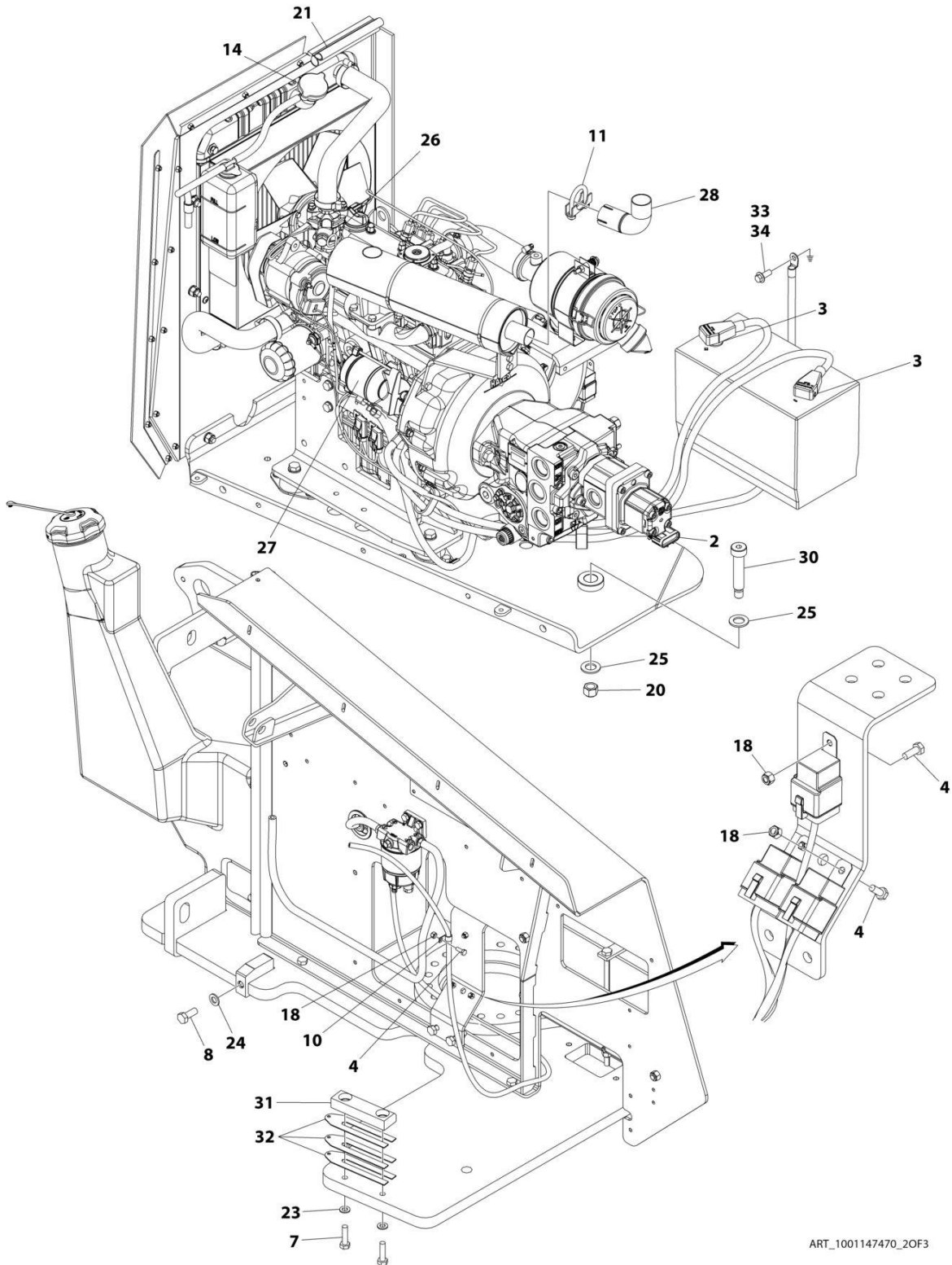
SECTION 3 - ENGINE

FIGURE 3-6. KUBOTA ENGINE INSTALLATION (WITHOUT ARCTIC PACKAGE)

ITEM	PART NUMBER	QTY	DESCRIPTION	REV
	1001161433	Ref	KUBOTA ENGINE INSTALLATION (WITHOUT ARCTIC PACKAGE)	F
1	0100020	AR	Sealant, Pipe	
2	0100048	AR	Grease, Dielectric	
3	0100051	AR	Grease, Battery Terminal	
4	0760608	4	Bolt M6 x 16	
5	0760814	2	Bolt M8 x 30	
6	0761016	2	Bolt M10 x 40	
7	0761214	1	Bolt M12 x 30	
7	0761217	1	Bolt M12 x 45	
8	1320022	6	Clamp, Fuel Line	
9	1320043	1	Clamp, Cable	
10	1320274	1	Clamp, Muffler	
11	2180348	3	Fitting, Barbed	
12	2180666	1	Fitting, Barbed	
13	2300004	AR	Coolant	
14	2540045	1	Grommet	
15	2720058	7 ft/2.1m	Hose	
16	2720271	6.5 ft /2m	Hose	
17	3290605	4	Nut M6	
18	3290805	2	Nut M8	
19	3291605	1	Nut M16	
20	3960464	33 in /84cm	Seal	
21	4811900	4	Washer M8	
22	4812000	2	Washer M10	
23	4812102	1	Washer M12	
24	4812500	2	Washer M20	
25	1001159301	AR	Oil, Engine	
26	1001161432	NLA	Kubota Engine and Pump Sub-Assembly (Use P/N 1001238004) (See Kubota Engine and Pump Assembly for Breakdown) (Prior to SN 0300253888)	
26	1001238004	1	Kubota Engine and Pump Sub-Assembly (See Kubota Engine and Pump Assembly for Breakdown) (SN 0300253888 to Present)	
27	1001118548	1	Tube, Exhaust	
28	1001118619	1	Fuel Filter/Water Separator Assembly	
28	70002900	1	Filter, Fuel	
28	70002901	1	Bowl Kit - Water Separator (Includes Bowl, Drain and Plug)	
29	1001118646	1	Bolt M20 x 80	
30	1001120087	1	Pad, Wear	
31	1001120090	3	Shim 1.5	
32	0100011	AR	Compound, Locking	
33	5251012	1	Bolt M10 x 25	

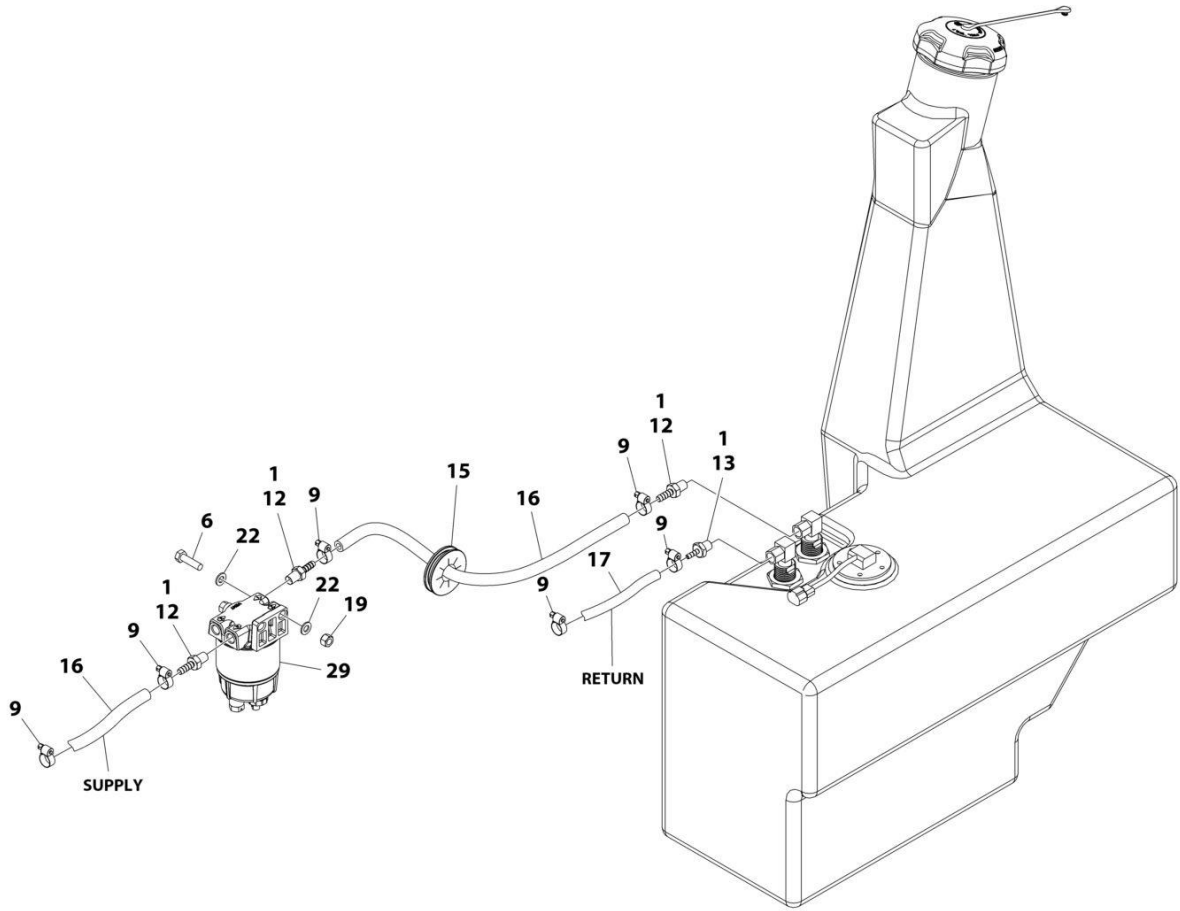
SECTION 3 - ENGINE

FIGURE 3-7. KUBOTA ENGINE INSTALLATION WITH 4000W GENERATOR (WITHOUT ARCTIC PACKAGE)



ART_1001147470_20F3

SECTION 3 - ENGINE



ART_1001147470_30F3

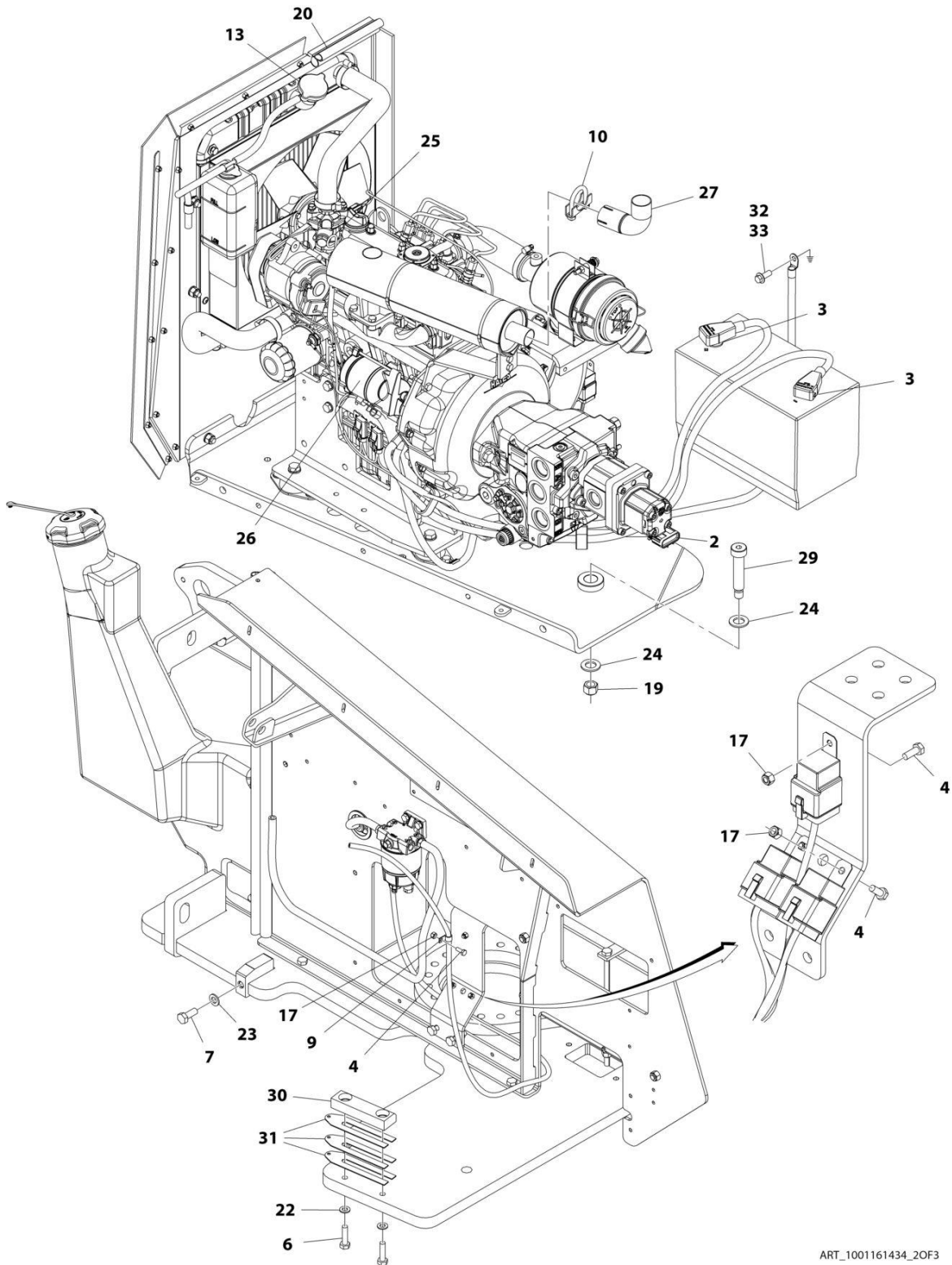
SECTION 3 - ENGINE

FIGURE 3-7. KUBOTA ENGINE INSTALLATION WITH 4000W GENERATOR (WITHOUT ARCTIC PACKAGE)

ITEM	PART NUMBER	QTY	DESCRIPTION	REV
	1001147470	Ref	KUBOTA ENGINE INSTALLATION WITH 4000W GENERATOR (WITHOUT ARCTIC PACKAGE)	E
1	0100020	AR	Sealant, Pipe	
2	0100048	AR	Grease, Dielectric	
3	0100051	AR	Grease, Battery Terminal	
4	0760608	4	Bolt M6 x 16	
6	0760814	2	Bolt M8 x 30	
7	0761016	2	Bolt M10 x 40	
8	0761214	1	Bolt M12 x 30	
9	1320022	6	Clamp, Fuel Line	
10	1320043	1	Clamp, Cable	
11	1320274	1	Clamp, Muffler	
12	2180348	3	Fitting, Barbed	
13	2180666	1	Fitting, Barbed	
14	2300004	AR	Coolant	
15	2540045	1	Grommet	
16	2720058	7 ft/2.1m	Hose	
17	2720271	6.5 ft/2m	Hose	
18	3290605	4	Nut M6	
19	3290805	2	Nut M8	
20	3291605	1	Nut M16	
21	3960464	33 in /84cm	Seal	
22	4811900	4	Washer M8	
23	4812000	2	Washer M10	
24	4812102	1	Washer M12	
25	4812500	2	Washer M20	
26	1001159301	AR	Oil, Engine (10W-30)	
27	1001147469	NLA	Kubota Engine and Pump Sub-Assembly (Use P/N 1001238005) (See KUBOTA ENGINE AND PUMP SUB-ASSEMBLY for Breakdown) (Prior to SN 0300253888)	
27	1001238005	1	Kubota Engine and Pump Sub-Assembly (See KUBOTA ENGINE AND PUMP SUB-ASSEMBLY for Breakdown) (SN 0300253888 to Present)	
28	1001118548	1	Tube, Exhaust	
29	1001118619	1	Fuel Filter/Water Separator Assembly	
29	70002900	1	Filter, Fuel	
29	70002901	1	Bowl Kit - Water Separator (Includes Bowl, Drain and Plug)	
30	1001118646	1	Bolt M20 x 80	
31	1001120087	1	Pad, Wear	
32	1001120090	3	Shim 1.5	
33	0100011	AR	Compound, Locking	
34	5251012	1	Bolt M10 x 25	

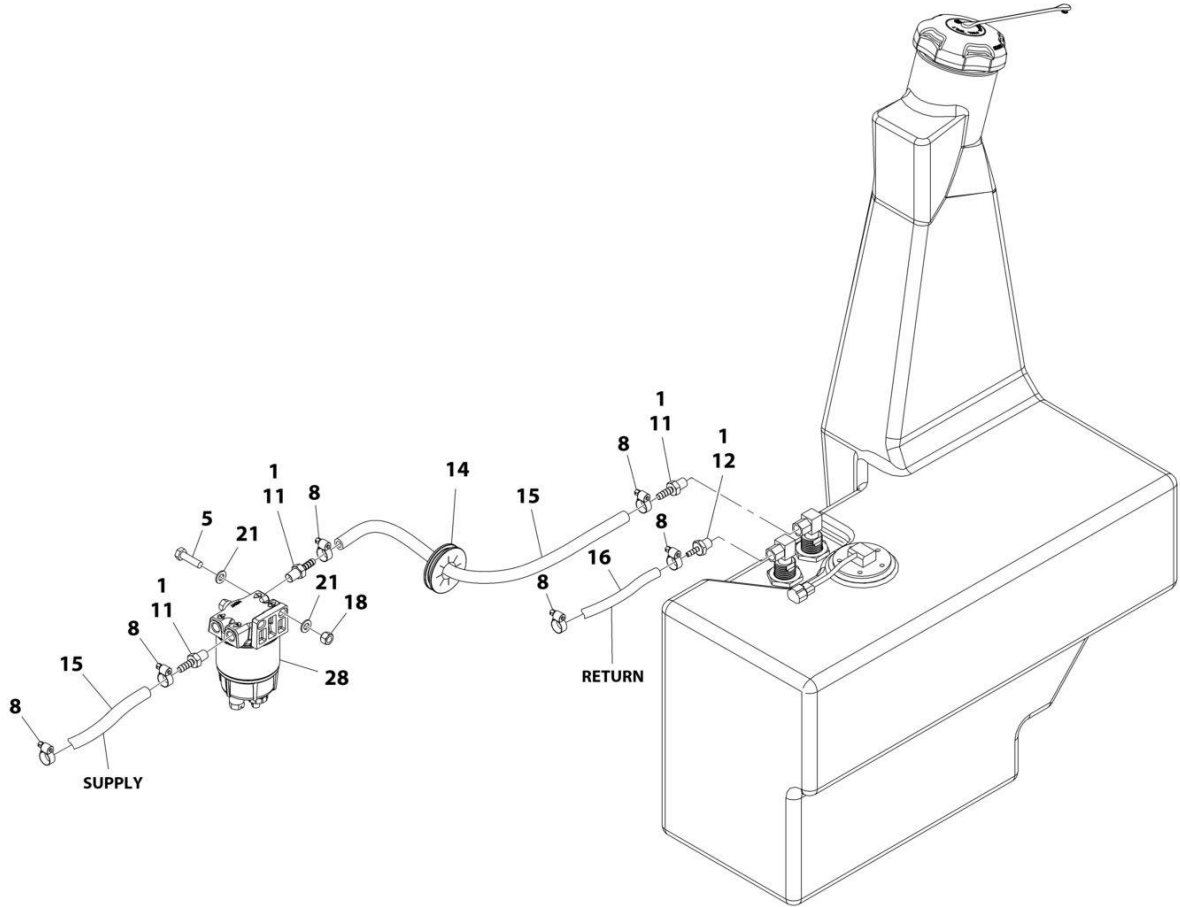
SECTION 3 - ENGINE

FIGURE 3-8. KUBOTA ENGINE INSTALLATION (WITH ARCTIC PACKAGE)



ART_1001161434_20F3

SECTION 3 - ENGINE



ART_1001161434_30F3

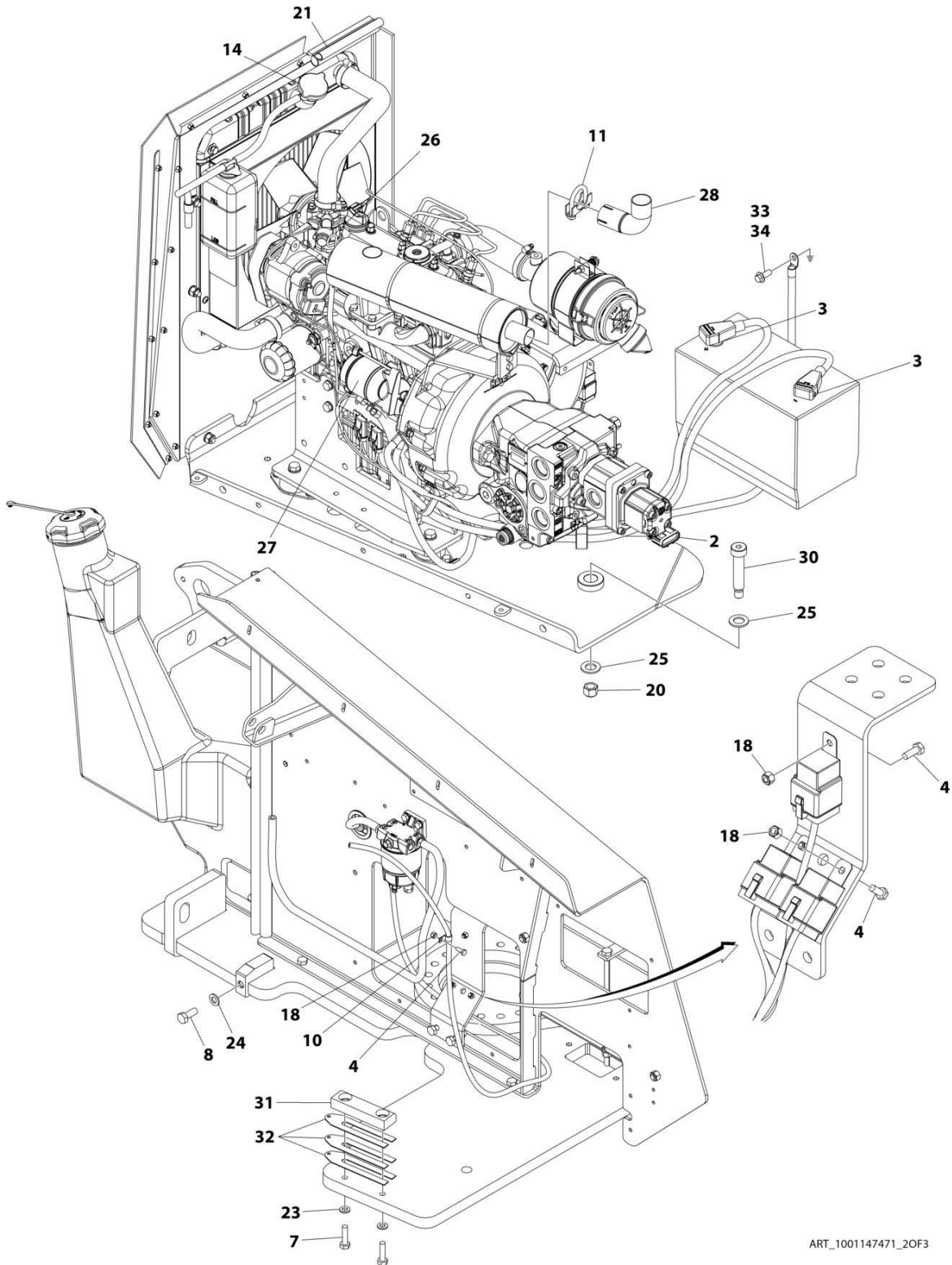
SECTION 3 - ENGINE

FIGURE 3-8. KUBOTA ENGINE INSTALLATION (WITH ARCTIC PACKAGE)

ITEM	PART NUMBER	QTY	DESCRIPTION	REV
	1001161434	Ref	KUBOTA ENGINE INSTALLATION (WITH ARCTIC PACKAGE)	F
1	0100020	AR	Sealant, Pipe	
2	0100048	AR	Grease, Dielectric	
3	0100051	AR	Grease, Battery Terminal	
4	0760608	4	Bolt M6 x 16	
5	0760814	2	Bolt M8 x 30	
6	0761016	2	Bolt M10 x 40	
7	0761214	1	Bolt M12 x 30	
7	0761217	1	Bolt M12 x 45	
8	1320022	6	Clamp, Fuel Line	
9	1320043	1	Clamp, Cable	
10	1320274	1	Clamp, Muffler	
11	2180348	3	Fitting, Barbed	
12	2180666	1	Fitting, Barbed	
13	2300041	AR	Coolant	
14	2540045	1	Grommet	
15	2720058	7 ft/2.1m	Hose	
16	2720271	6.5 ft/2m	Hose	
17	3290605	4	Nut M6	
18	3290805	2	Nut M8	
19	3291605	1	Nut M16	
20	3960464	33 in /84cm	Seal	
21	4811900	4	Washer M8	
22	4812000	2	Washer M10	
23	4812102	1	Washer M12	
24	4812500	2	Washer M20	
25	1001176938	AR	Oil, Engine	
26	1001161432	NLA	Kubota Engine and Pump Sub-Assembly (Use P/N 1001238004) (See Kubota Engine and Pump Assembly for Breakdown) (Prior to SN 0300253888)	
26	1001238004	1	Kubota Engine and Pump Sub-Assembly (See Kubota Engine and Pump Assembly for Breakdown) (SN 0300253888 to Present)	
27	1001118548	1	Tube, Exhaust	
28	1001118619	1	Fuel Filter/Water Separator Assembly	
28	70002900	1	Filter, Fuel	
28	70002901	1	Bowl Kit - Water Separator (Includes Bowl, Drain and Plug)	
29	1001118646	1	Bolt M20 x 80	
30	1001120087	1	Pad, Wear	
31	1001120090	3	Shim 1.5	
32	0100011	AR	Compound, Locking	
33	5251012	1	Bolt M10 x 25	

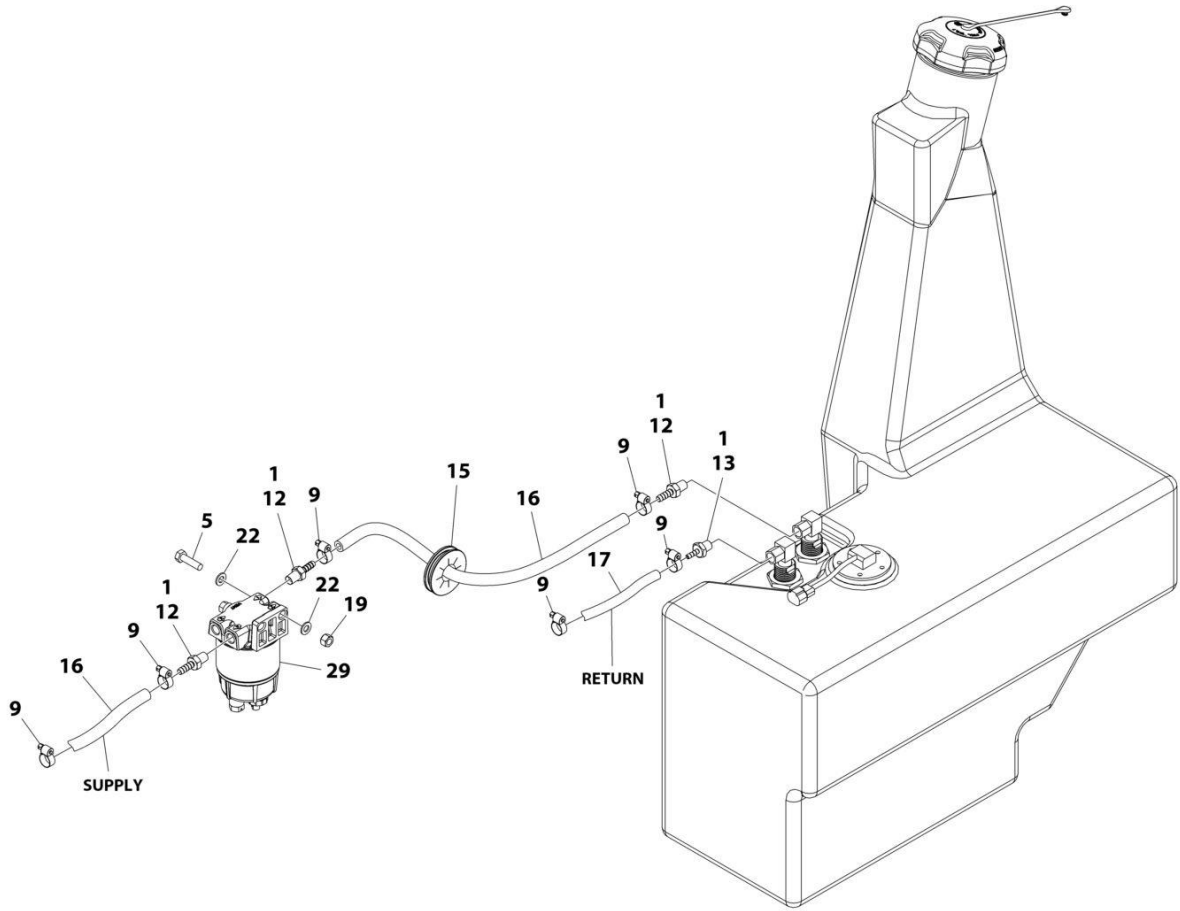
SECTION 3 - ENGINE

FIGURE 3-9. KUBOTA ENGINE INSTALLATION WITH 4000W GENERATOR (WITH ARCTIC PACKAGE)



ART_1001147471_20F3

SECTION 3 - ENGINE



ART_1001147471_30F3

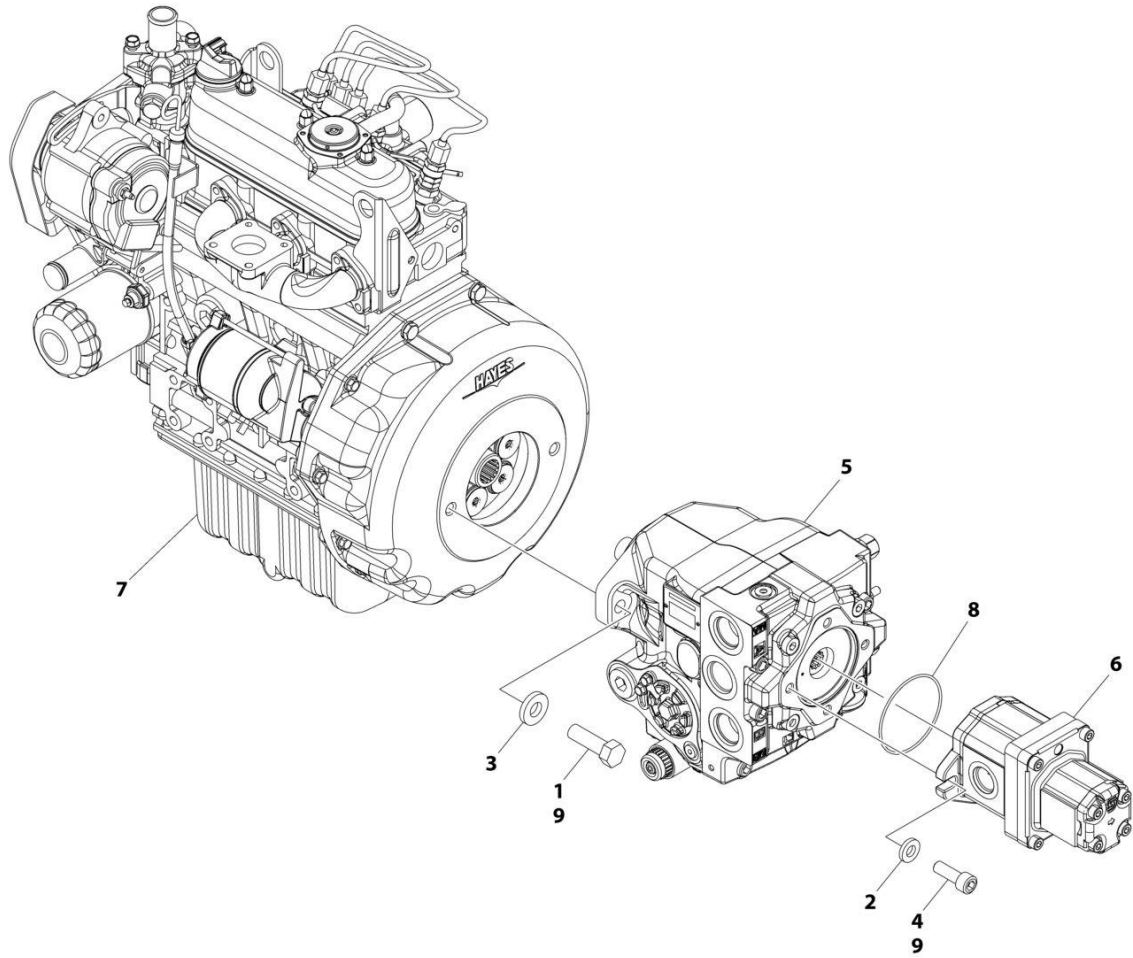
SECTION 3 - ENGINE

FIGURE 3-9. KUBOTA ENGINE INSTALLATION WITH 4000W GENERATOR (WITH ARCTIC PACKAGE)

ITEM	PART NUMBER	QTY	DESCRIPTION	REV
	1001147471	Ref	KUBOTA ENGINE INSTALLATION WITH 4000W GENERATOR (WITH ARCTIC PACKAGE)	E
1	0100020	AR	Sealant, Pipe	
2	0100048	AR	Grease, Dielectric	
3	0100051	AR	Grease, Battery Terminal	
4	0760608	4	Bolt M6 x 16	
5	0760814	2	Bolt M8 x 30	
7	0761016	2	Bolt M10 x 40	
8	0761214	1	Bolt M12 x 30	
9	1320022	6	Clamp, Fuel Line	
10	1320043	1	Clamp, Cable	
11	1320274	1	Clamp, Muffler	
12	2180348	3	Fitting, Barbed	
13	2180666	1	Fitting, Barbed	
14	2300041	AR	Coolant	
15	2540045	1	Grommet	
16	2720058	7 ft/2.1m	Hose	
17	2720271	6.5 ft/2m	Hose	
18	3290605	4	Nut M6	
19	3290805	2	Nut M8	
20	3291605	1	Nut M16	
21	3960464	33 in /84cm	Seal	
22	4811900	4	Washer M8	
23	4812000	2	Washer M10	
24	4812102	1	Washer M12	
25	4812500	2	Washer M20	
26	1001176938	AR	Oil, Engine	
27	1001147469	NLA	Kubota Engine and Pump Sub-Assembly (Use P/N 1001238005) (See KUBOTA ENGINE AND PUMP SUB-ASSEMBLY for Breakdown) (Prior to SN 0300253888)	
27	1001238005	1	Kubota Engine and Pump Sub-Assembly (See KUBOTA ENGINE AND PUMP SUB-ASSEMBLY for Breakdown) (SN 0300253888 to Present)	
28	1001118548	1	Tube, Exhaust	
29	1001118619	1	Fuel Filter/Water Separator Assembly	
29	70002900	1	Filter, Fuel	
29	70002901	1	Bowl Kit - Water Separator (Includes Bowl, Drain and Plug)	
30	1001118646	1	Bolt M20 x 80	
31	1001120087	1	Pad, Wear	
32	1001120090	3	Shim 1.5	
33	0100011	AR	Compound, Locking	
34	5251012	1	Bolt M10 x 25	

SECTION 3 - ENGINE

FIGURE 3-10. KUBOTA ENGINE AND PUMP SUB-ASSEMBLY (Prior to SN 0300253888)



ART_1001161432

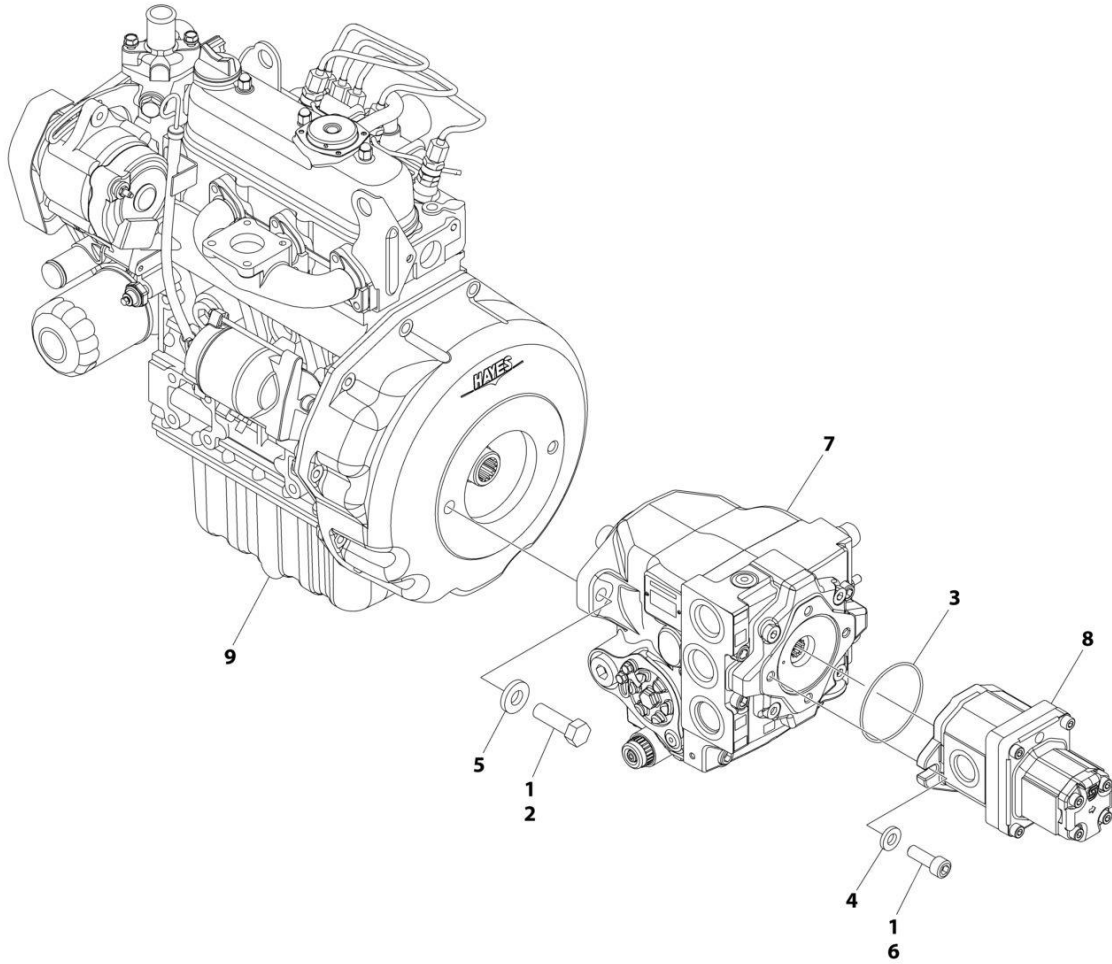
SECTION 3 - ENGINE

FIGURE 3-10. KUBOTA ENGINE AND PUMP SUB-ASSEMBLY (Prior to SN 0300253888)

ITEM	PART NUMBER	QTY	DESCRIPTION	REV
	1001161432	Ref	KUBOTA ENGINE AND PUMP SUB-ASSEMBLY	E
1	0641813	2	Bolt 1/2 x 1-5/8	
2	4891600	2	Washer 3/8	
3	4891800	2	Washer 1/2	
4	83191040	2	Capscrew M10 x 30	
5	1001117028	1	Axial Pump Assembly (See AXIAL PUMP ASSEMBLY for Breakdown)	
6	1001117029	1	Gear Pump Assembly (See GEAR PUMP ASSEMBLY for Breakdown)	
7	1001161431	NLA	Kubota Engine Assembly (Use p/n 1001238001) (See KUBOTA ENGINE ASSEMBLY for Breakdown)	
8	3790152	1	O-Ring	
9	0100011	AR	Compound, Locking	

SECTION 3 - ENGINE

FIGURE 3-11. KUBOTA ENGINE AND PUMP SUB-ASSEMBLY (SN 0300253888 to Present)



ART_1001238004

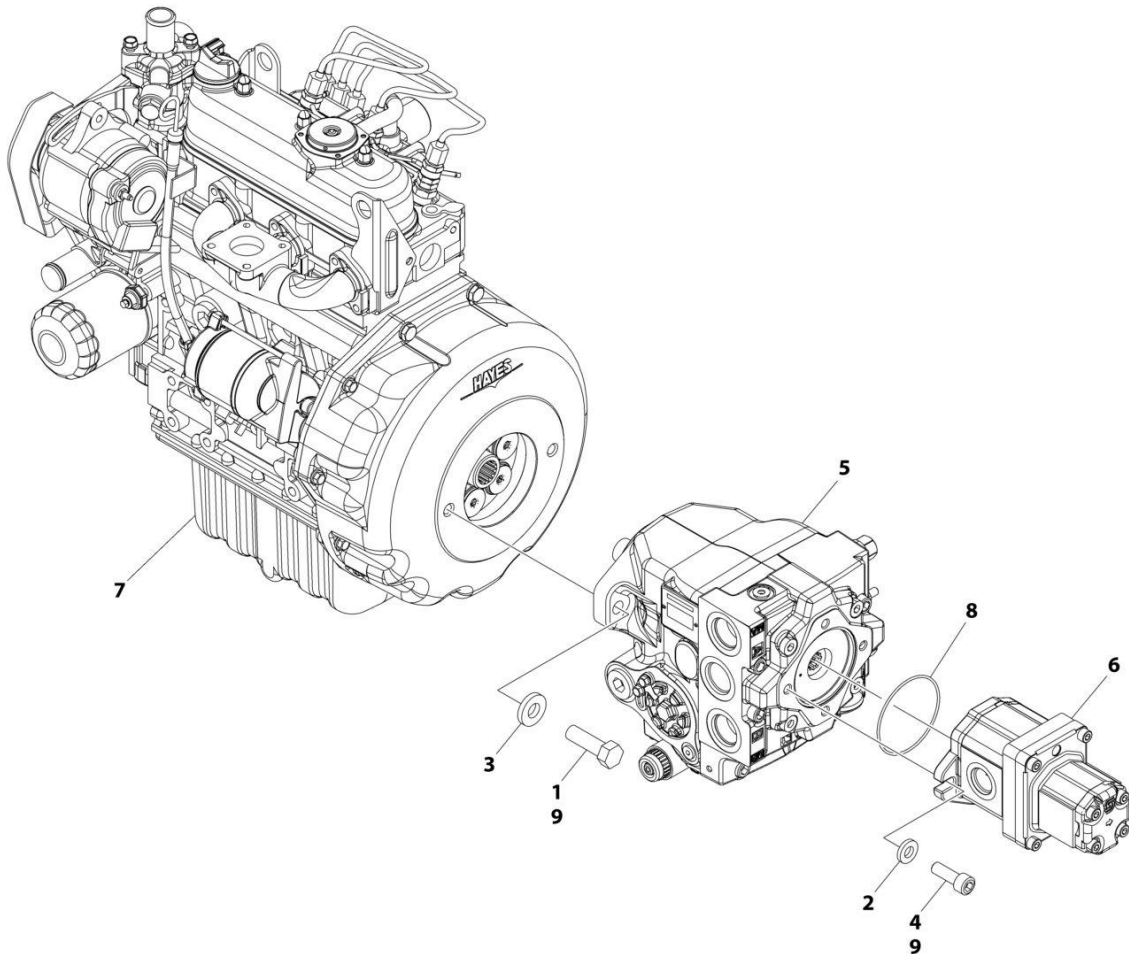
SECTION 3 - ENGINE

FIGURE 3-11. KUBOTA ENGINE AND PUMP SUB-ASSEMBLY (SN 0300253888 to Present)

ITEM	PART NUMBER	QTY	DESCRIPTION	REV
	1001238004	Ref	KUBOTA ENGINE AND PUMP SUB-ASSEMBLY	B
1	0100011	AR	Compound, Locking	
2	0641813	2	Bolt 1/2 x 1-5/8	
3	3790152	1	O-Ring	
4	4891600	2	Washer 3/8	
5	4891800	2	Washer 1/2	
6	83191040	2	Capscrew M10 x 30	
7	1001117028	1	Axial Pump Assembly (See Separate Breakdown in this Section)	
8	1001117029	1	Gear Pump Assembly (See Separate Breakdown in this Section)	
9	1001238001	1	Kubota Engine Assembly (Use p/n 1001238001) (See Separate Breakdown in this Section)	

SECTION 3 - ENGINE

FIGURE 3-12. KUBOTA ENGINE WITH 4000W GENERATOR AND PUMP SUB-ASSEMBLY (Prior to SN 0300253888)



ART_1001147469

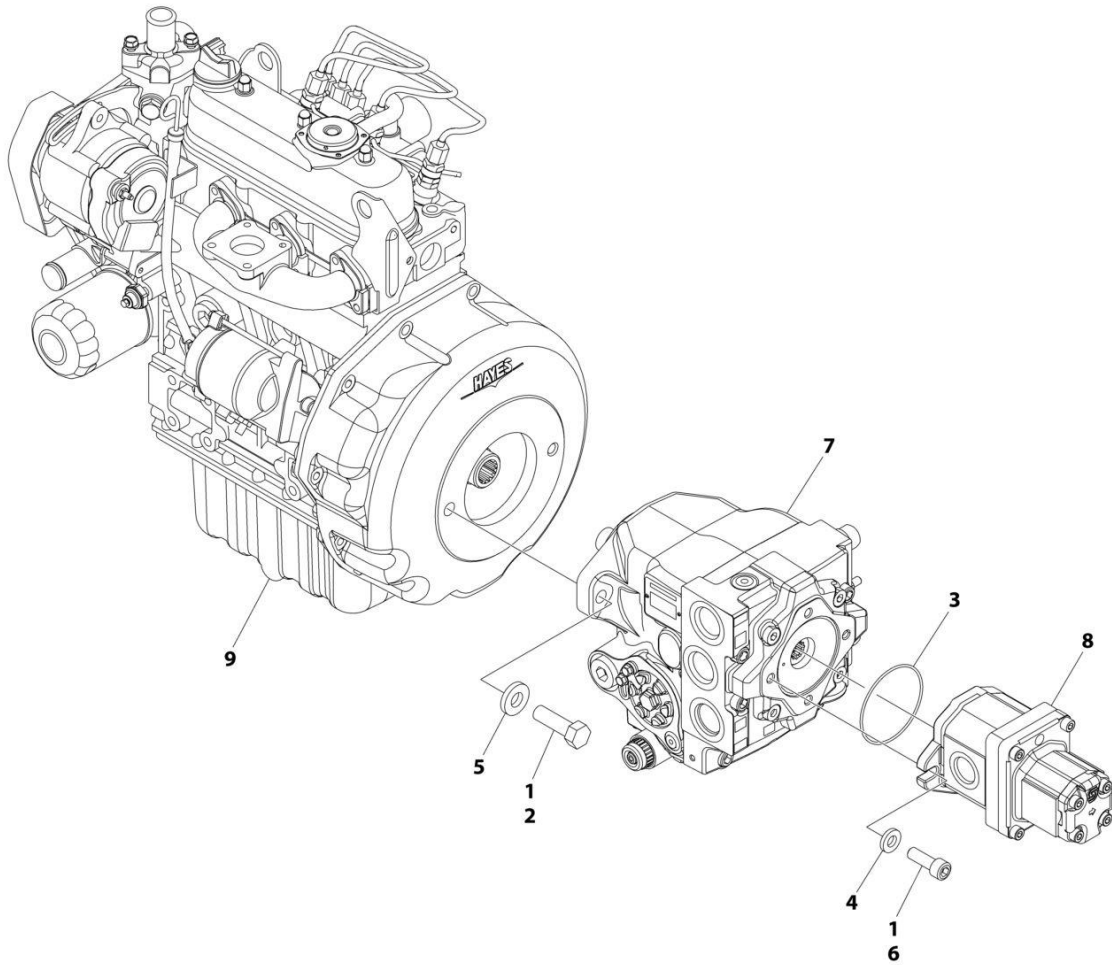
SECTION 3 - ENGINE

FIGURE 3-12. KUBOTA ENGINE WITH 4000W GENERATOR AND PUMP SUB-ASSEMBLY (Prior to SN 0300253888)

ITEM	PART NUMBER	QTY	DESCRIPTION	REV
	1001147469	Ref	KUBOTA ENGINE WITH 4000W GENERATOR AND PUMP SUB-ASSEMBLY	C
1	0641813	2	Bolt 1/2 x 1-5/8	
2	4891600	2	Washer 3/8	
3	4891800	2	Washer 1/2	
4	83191040	2	Capscrew M10 x 30	
5	1001117028	1	Axial Pump Assembly (See AXIAL PUMP ASSEMBLY for Breakdown)	
6	1001117029	1	Gear Pump Assembly (See GEAR PUMP ASSEMBLY for Breakdown)	
7	1001147468	NLA	Kubota Engine Assembly with 4000W Generator (Use p/n 1001238002) (See KUBOTA ENGINE ASSEMBLY WITH 4000W GENERATOR for Breakdown)	
8	3790152	1	O-Ring	
9	0100011	AR	Compound, Locking	

SECTION 3 - ENGINE

FIGURE 3-13. KUBOTA ENGINE WITH 4000W GENERATOR AND PUMP SUB-ASSEMBLY (SN 0300253888 to Present)



ART_1001238005

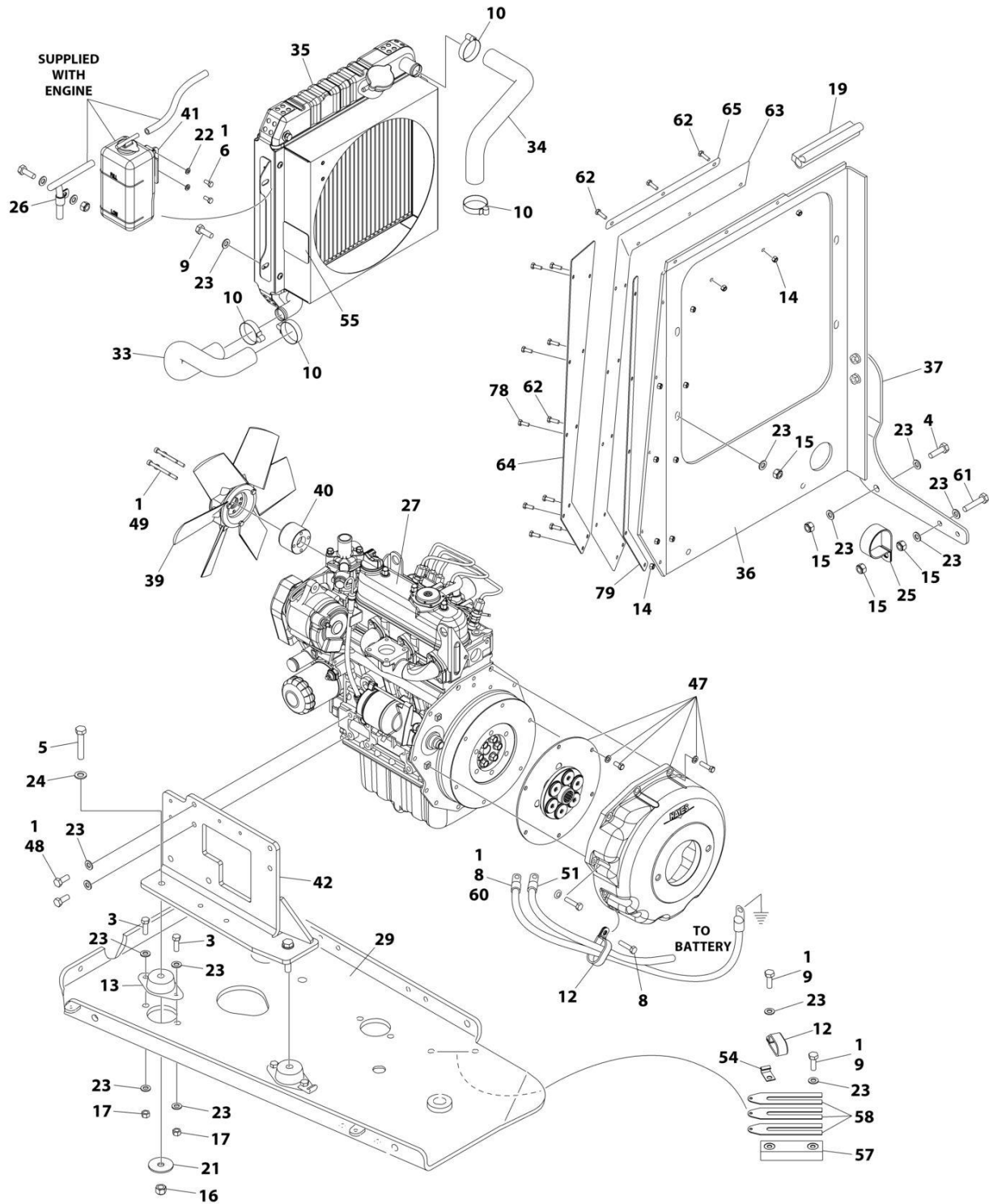
SECTION 3 - ENGINE

FIGURE 3-13. KUBOTA ENGINE WITH 4000W GENERATOR AND PUMP SUB-ASSEMBLY (SN 0300253888 to Present)

ITEM	PART NUMBER	QTY	DESCRIPTION	REV
	1001238005	Ref	KUBOTA ENGINE WITH 4000W GENERATOR AND PUMP SUB-ASSEMBLY	B
1	0100011	AR	Compound, Locking	
2	0641813	2	Bolt 1/2 x 1-5/8	
3	3790152	1	O-Ring	
4	4891600	2	Washer 3/8	
5	4891800	2	Washer 1/2	
6	83191040	2	Capscrew M10 x 30	
7	1001117028	1	Axial Pump Assembly (See Separate Breakdown in this Section)	
8	1001117029	1	Gear Pump Assembly (See Separate Breakdown in this Section)	
9	1001238002	1	Kubota Engine Assembly with 4000W Generator (Use p/n 1001238002) (See Separate Breakdown in this Section)	

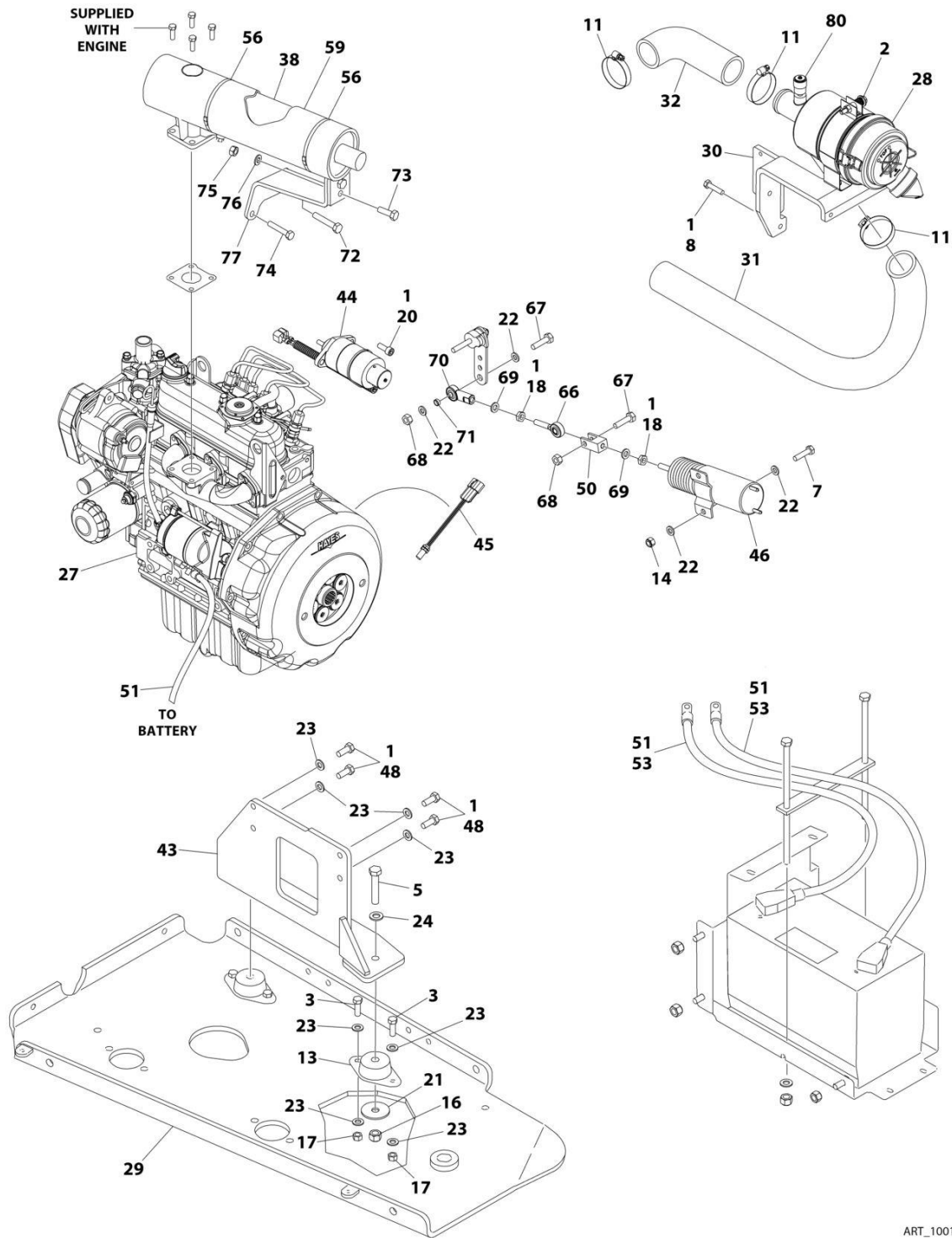
SECTION 3 - ENGINE

FIGURE 3-14. KUBOTA ENGINE ASSEMBLY (Prior to SN 0300253888)



ART_1001161431_1OF2

SECTION 3 - ENGINE



ART_1001161431_20F2

SECTION 3 - ENGINE

FIGURE 3-14. KUBOTA ENGINE ASSEMBLY (Prior to SN 0300253888)

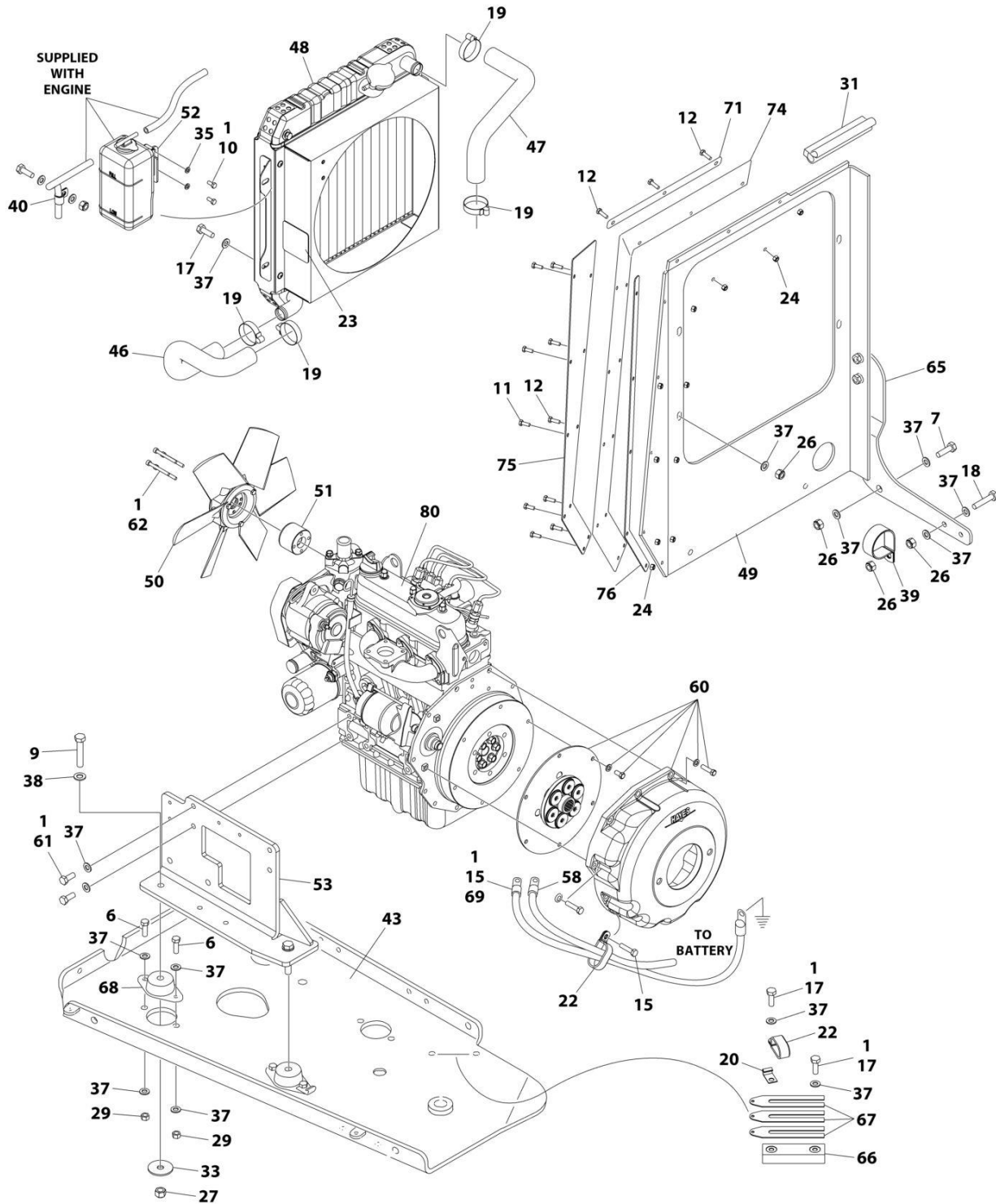
ITEM	PART NUMBER	QTY	DESCRIPTION	REV
	1001161431	Ref	KUBOTA ENGINE ASSEMBLY	F
1	0100011	AR	Compound, Locking	
2	0340045	1	Band, Mounting	
3	0641609	8	Bolt 3/8 x 1-1/8	
4	0701015	6	Bolt M10 x 35	
5	0701221	4	Bolt M12 x 65	
6	0760607	2	Bolt M6 x 14	
7	0760612	4	Bolt M6 x 25	
8	0760815	3	Bolt M8 x 35	
9	0761014	6	Bolt M10 x 30	
10	1320012	4	Clamp	
11	1321682	3	Clamp	
12	1321716	2	Clamp	
13	1001120307	4	Mount, Motor	
14	3290605	17	Nut M6	
15	3291005	12	Nut M10	
16	3291205	4	Nut M12	
17	3311605	8	Nut 3/8	
18	3321402	2	Nut 1/4	
19	3960464	6.5 in /17cm	Seal	
20	4031707	2	Capscrew M6 x 16	
21	4740274	4	Washer	
22	4811700	12	Washer M6	
23	4812000	48	Washer M10	
24	4812100	4	Washer M12	
25	80673025	1	P-Clamp	
26	85941016	1	Clamp	
27	1001157966	NLA	Kubota Engine Components (Use p/n 1001237999) (See KUBOTA ENGINE COMPONENTS for Breakdown)	
28	1001118280	1	Air Filter Assembly	A
28	7015004	1	Element, Air Filter	
28	1340069	1	Valve, Vacuum	
28	7015005	1	Cover	
29	1001118453	1	Tray, Engine	
30	1001128214	1	Bracket, Air Filter	
31	1001118527	1	Hose, Air Intake	
32	1001118528	1	Hose, Air Intake	
33	1001118529	1	Hose, Lower Radiator	
34	1001118530	1	Hose, Upper Radiator	
35	1001118531	1	Radiator	
35	70002899	1	Cap, Radiator	
36	1001118532	1	Mount, Radiator	
37	1001119698	1	Gusset, Radiator	
38		Ref	Muffler Options:	
38	1001118547	NLA	Standard (Use p/n 1001151187)	
38	1001120007	NLA	Catalytic (Use p/n 1001151188)	
39	1001118538	1	Fan	
40	1001118539	1	Spacer, Fan	
41	1001118540	1	Bracket, Coolant Overflow Tank	

SECTION 3 - ENGINE

ITEM	PART NUMBER	QTY	DESCRIPTION	REV
42	1001118542	1	Plate, LH Front Engine	
43	1001118543	1	Plate, RH Front Engine	
44	1001118579	1	Actuator, Kubota Governor	
44	7023134	1	Gasket, Mounting	
45	1001118580	1	Sensor, Speed	
46	1001118582	1	Actuator, Kubota Throttle	
47	1001118675	1	Flywheel Housing/Coupling Kit	
47	See Note	NSS	Coupling Assembly (Note: Use p/n 1001118675)	
47	See Note	NSS	Housing (Note: Use p/n 1001118675)	
47	See Note	NSS	Bolt Kit (Note: Use p/n 1001118675)	
48	1001118746	8	Bolt M10 x 25	
49	1001118878	4	Bolt M6 x 55	
50	1001118881	1	Clevis, Actuator	
51	1001118594	1	Battery Cable Kit	
51	4461231	1	Battery Terminal and Red Cover Only (No Cable)	
51	4461232	1	Battery Terminal and Black Cover Only (No Cable)	
52	1001118638	1	Harness, Engine (Not Shown - See ELECTRICAL SECTION for Breakdown)	
53	0100048	AR	Grease, Dielectric	
54	1320223	2	J-Clip	
55	1703162	2	Decal - Fan Blade	
56	1001100825	2	Strap	
57	1001120087	1	Pad, Wear	
58	1001120090	3	Shim	
59	1001121531	1	Insulation, Muffler	
60	1001120450	1	Cable, Ground	
61	0761018	1	Bolt M10 x 50	
62	0760610	8	Bolt M6 x 20	
63	1001147365	1	Seal, Radiator Hood	
64	1001147642	1	Plate, Seal Support	
65	1001123018	1	Plate, Seal Support	
66	0440334	1	End, Rod with Bearing	
67	0641408	2	Bolt 1/4 x 1	
68	3311405	2	Nut 1/4	
69	4761400	2	Washer 1/4	
70	1001118925	1	End, Rod with Bearing	
71	1001128888	1	Spacer	
72	0701017	1	Bolt M10 x 45	
73	0760812	2	Bolt M8 x 25	
74	0760817	1	Bolt M8 x 45	
75	3290807	2	Nut M8 x 1.25	
76	4811900	2	Washer M8	
77	1001149379	1	Bracket	
78	0760608	5	Bolt M6 x 1.25	
79	1001147643	1	Plate, Seal Support	
80	1001170981	1	Indicator, Air Intake Restriction (SN 0300236110 through 0300253887)	

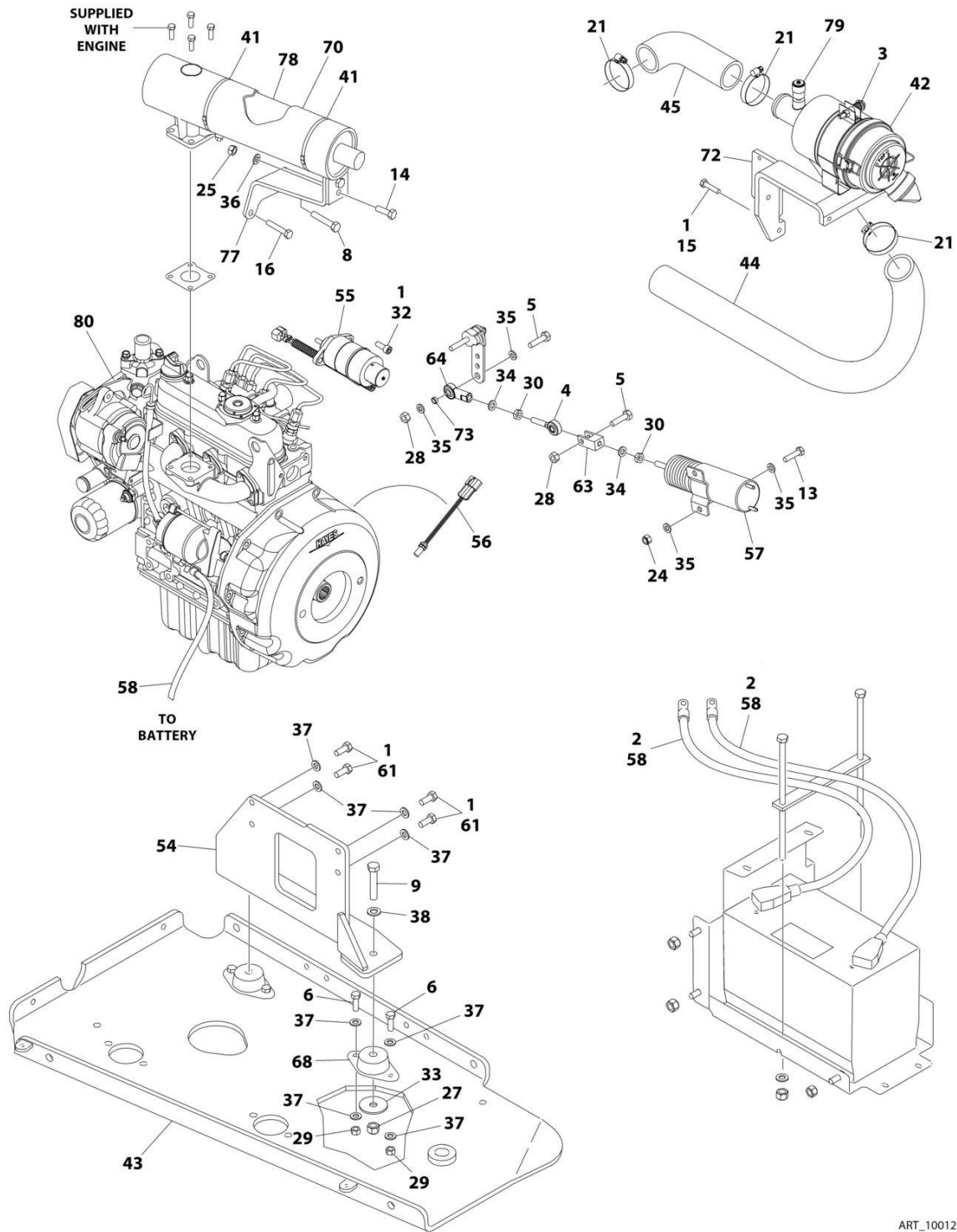
SECTION 3 - ENGINE

FIGURE 3-15. KUBOTA ENGINE ASSEMBLY (SN 0300253888 to Present)



ART_1001238001_1OF2

SECTION 3 - ENGINE



ART_1001238001_20F2

SECTION 3 - ENGINE

FIGURE 3-15. KUBOTA ENGINE ASSEMBLY (SN 0300253888 to Present)

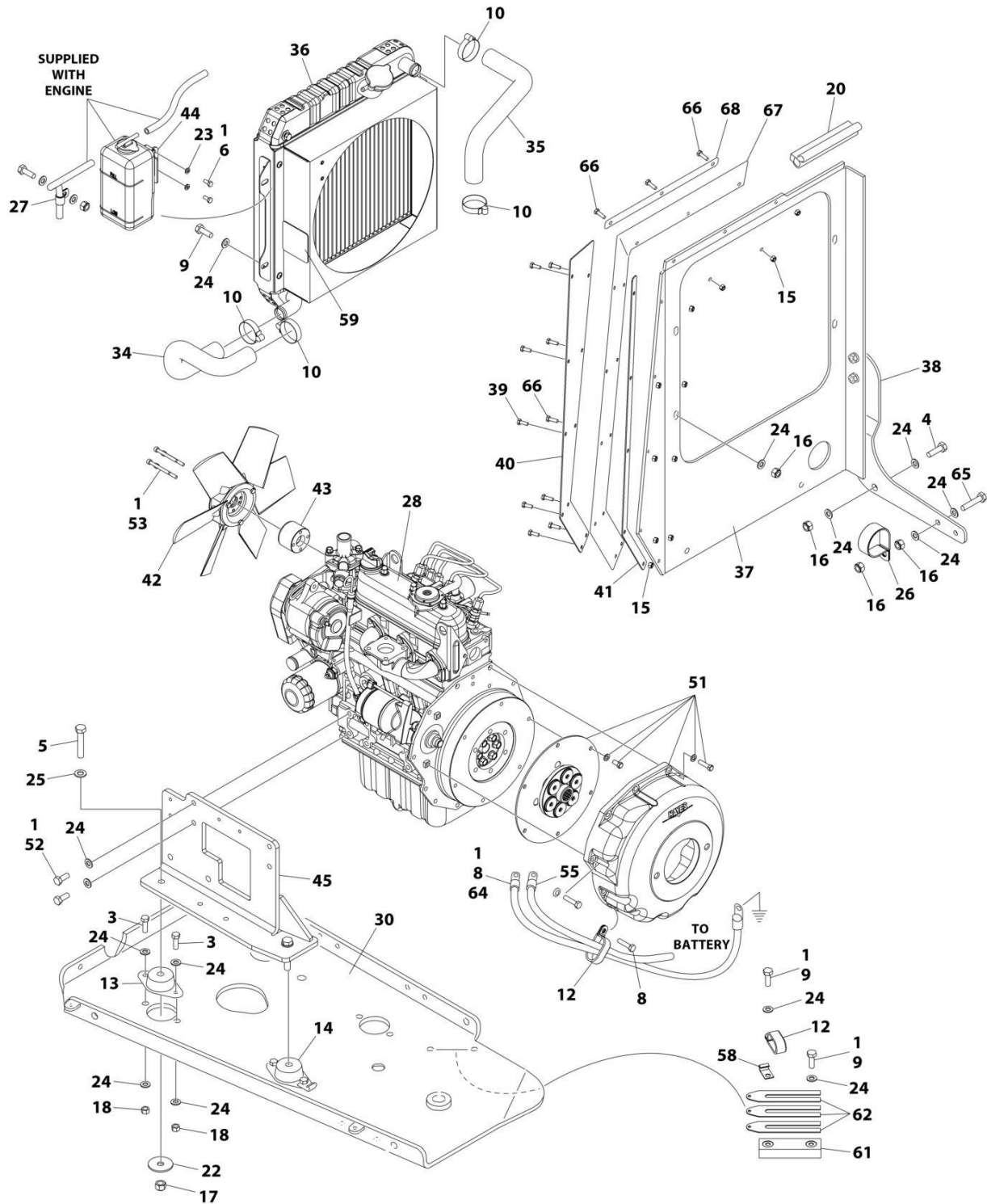
ITEM	PART NUMBER	QTY	DESCRIPTION	REV
	1001238001	Ref	KUBOTA ENGINE ASSEMBLY	A
1	0100011	AR	Compound, Locking	
2	0100048	AR	Grease, Dielectric	
3	0340045	1	Band, Mounting	
4	0440334	1	End, Rod with Bearing	
5	0641408	2	Bolt 1/4 x 1	
6	0641609	8	Bolt 3/8 x 1-1/8	
7	0701015	6	Bolt M10 x 35	
8	0701017	1	Bolt M10 x 45	
9	0701221	4	Bolt M12 x 65	
10	0760607	2	Bolt M6 x 14	
11	0760608	5	Bolt M6 x 1.25	
12	0760610	8	Bolt M6 x 20	
13	0760612	4	Bolt M6 x 25	
14	0760812	2	Bolt M8 x 25	
15	0760815	3	Bolt M8 x 35	
16	0760817	1	Bolt M8 x 45	
17	0761014	6	Bolt M10 x 30	
18	0761018	1	Bolt M10 x 50	
19	1320012	4	Clamp	
20	1320223	2	J-Clip	
21	1321682	3	Clamp	
22	1321716	2	Clamp	
23	1703162	2	Decal - Fan Blade	
24	3290605	17	Nut M6	
25	3290807	2	Nut M8 x 1.25	
26	3291005	12	Nut M10	
27	3291205	4	Nut M12	
28	3311405	2	Nut 1/4	
29	3311605	8	Nut 3/8	
30	3321402	2	Nut 1/4	
31	3960464	6.5 in /17cm	Seal	
32	4031707	2	Capscrew M6 x 16	
33	4740274	4	Washer	
34	4761400	2	Washer 1/4	
35	4811700	12	Washer M6	
36	4811900	2	Washer M8	
37	4812000	48	Washer M10	
38	4812100	4	Washer M12	
39	80673025	1	P-Clamp	
40	85941016	1	Clamp	
41	1001100825	2	Strap	
42	1001118280	1	Air Filter Assembly	A
42	7015004	1	Element, Air Filter	
42	1340069	1	Valve, Vacuum	
42	7015005	1	Cover	
43	1001118453	1	Tray, Engine	
44	1001118527	1	Hose, Air Intake	
45	1001118528	1	Hose, Air Intake	

SECTION 3 - ENGINE

ITEM	PART NUMBER	QTY	DESCRIPTION	REV
46	1001118529	1	Hose, Lower Radiator	
47	1001118530	1	Hose, Upper Radiator	
48	1001118531	1	Radiator	
48	70002899	1	Cap, Radiator	
49	1001118532	1	Mount, Radiator	
50	1001118538	1	Fan	
51	1001118539	1	Spacer, Fan	
52	1001118540	1	Bracket, Coolant Overflow Tank	
53	1001118542	1	Plate, LH Front Engine	
54	1001118543	1	Plate, RH Front Engine	
55	1001118579	1	Actuator, Kubota Governor	
55	7023134	1	Gasket, Mounting	
56	1001118580	1	Sensor, Speed	
57	1001118582	1	Actuator, Kubota Throttle	
58	1001118594	1	Battery Cable Kit	
58	4461231	1	Battery Terminal and Red Cover Only (No Cable)	
58	4461232	1	Battery Terminal and Black Cover Only (No Cable)	
59	1001118638	1	Harness, Engine (Not Shown - See Separate Breakdown in ELECTRICAL SECTION)	
60	1001118675	1	Flywheel Housing/Coupling Kit	
60	See Note	NSS	Coupling Assembly (Note: Use p/n 1001118675)	
60	See Note	NSS	Housing (Note: Use p/n 1001118675)	
60	See Note	NSS	Bolt Kit (Note: Use p/n 1001118675)	
61	1001118746	8	Bolt M10 x 25	
62	1001118878	4	Bolt M6 x 55	
63	1001118881	1	Clevis, Actuator	
64	1001118925	1	End, Rod with Bearing	
65	1001119698	1	Gusset, Radiator	
66	1001120087	1	Pad, Wear	
67	1001120090	3	Shim	
68	1001120307	4	Mount, Motor	
69	1001120450	1	Cable, Ground	
70	1001121531	1	Insulation, Muffler	
71	1001123018	1	Plate, Seal Support	
72	1001128214	1	Bracket, Air Filter	
73	1001128888	1	Spacer	
74	1001147365	1	Seal, Radiator Hood	
75	1001147642	1	Plate, Seal Support	
76	1001147643	1	Plate, Seal Support	
77	1001149379	1	Bracket	
78		Ref	Muffler Options:	
78	1001118547	NLA	Standard (Use p/n 1001151187)	
78	1001120007	NLA	Catalytic (Use p/n 1001151188)	
79	1001170981	1	Indicator, Air Intake Restriction	
80	1001237999	1	Kubota Engine Components (See Separate Breakdown in this Section)	

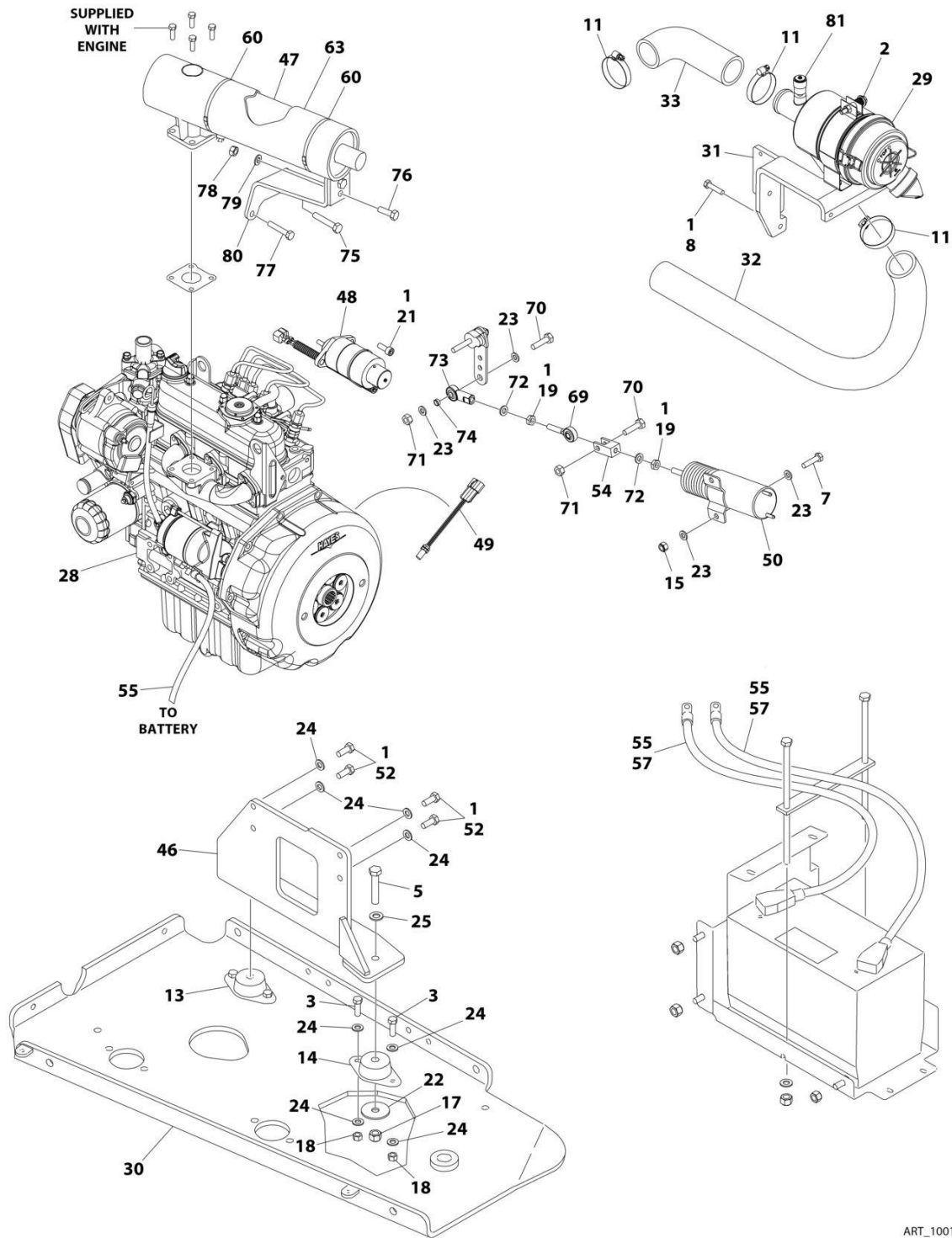
SECTION 3 - ENGINE

FIGURE 3-16. KUBOTA ENGINE ASSEMBLY WITH 4000W GENERATOR (Prior to SN 0300253888)



ART_1001147468_10F2

SECTION 3 - ENGINE



ART_1001147468_20F2

SECTION 3 - ENGINE

FIGURE 3-16. KUBOTA ENGINE ASSEMBLY WITH 4000W GENERATOR (Prior to SN 0300253888)

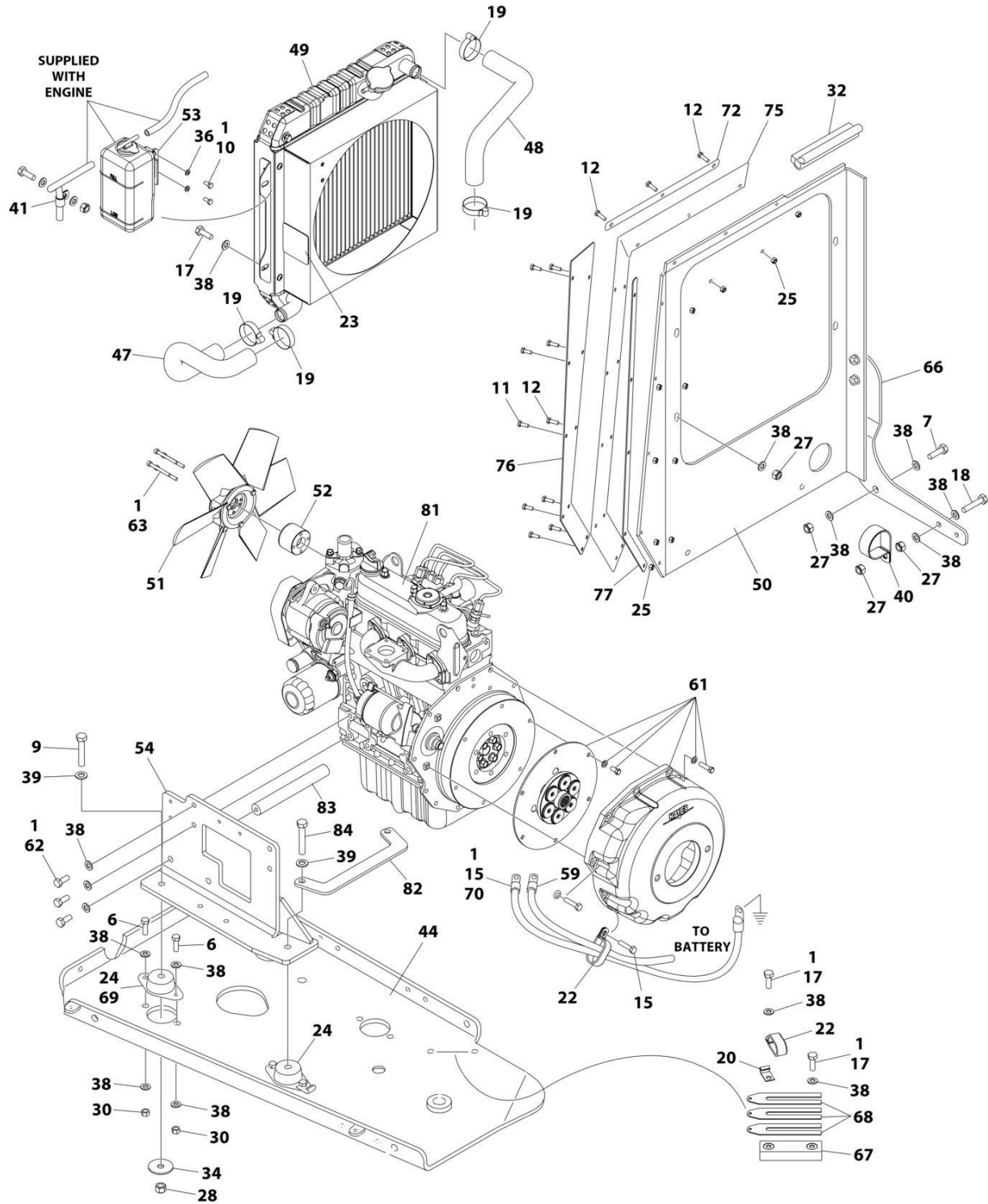
ITEM	PART NUMBER	QTY	DESCRIPTION	REV
	1001147468	Ref	KUBOTA ENGINE ASSEMBLY WITH 4000W GENERATOR	E
1	0100011	AR	Compound, Locking	
2	0340045	1	Band, Mounting	
3	0641609	8	Bolt 3/8 x 1-1/8	
4	0701015	6	Bolt M10 x 35	
5	0701221	4	Bolt M12 x 65	
6	0760607	2	Bolt M6 x 14	
7	0760612	4	Bolt M6 x 25	
8	0760815	3	Bolt M8 x 35	
9	0761014	6	Bolt M10 x 30	
10	1320012	4	Clamp	
11	1321682	3	Clamp	
12	1321716	2	Clamp	
13	1001120307	2	Mount, Motor	
14	3200425	2	Mount, Motor	
15	3290605	17	Nut M6	
16	3291005	12	Nut M10	
17	3291205	4	Nut M12	
18	3311605	8	Nut 3/8	
19	3321402	2	Nut 1/4	
20	3960464	6.5 in /17cm	Seal	
21	4031707	2	Capscrew M6 x 16	
22	4740274	4	Washer	
23	4811700	12	Washer M6	
24	4812000	48	Washer M10	
25	4812100	4	Washer M12	
26	80673025	1	P-Clamp	
27	85941016	1	Clamp	
28	1001157966	NLA	Kubota Engine Components (Use p/n 1001237999) (See KUBOTA ENGINE COMPONENTS for Breakdown)	
29	1001118280	1	Air Filter Assembly	A
29	7015004	1	Element, Air Filter	
29	1340069	1	Valve, Vacuum	
29	7015005	1	Cover	
30	1001118453	1	Tray, Engine	
31	1001128214	1	Bracket, Air Filter	
32	1001118527	1	Hose, Air Intake	
33	1001118528	1	Hose, Air Intake	
34	1001118529	1	Hose, Lower Radiator	
35	1001118530	1	Hose, Upper Radiator	
36	1001118531	1	Radiator	
36	70002899	1	Cap, Radiator	
37	1001118532	1	Mount, Radiator	
38	1001119698	1	Gusset, Radiator	
39	0760608	5	Bolt M6 x 1.25	
40	1001147642	1	Plate, Seal Support	
41	1001147643	1	Plate, Seal Support	
42	1001118538	1	Fan	
43	1001118539	1	Spacer, Fan	

SECTION 3 - ENGINE

ITEM	PART NUMBER	QTY	DESCRIPTION	REV
44	1001118540	1	Bracket, Coolant Overflow Tank	
45	1001118542	1	Plate, LH Front Engine	
46	1001118543	1	Plate, RH Front Engine	
47		Ref	Muffler Options:	
47	1001118547	NLA	Standard (Use p/n 1001151187)	
47	1001120007	NLA	Catalytic (Use p/n 1001151188)	
48	1001118579	1	Actuator, Kubota Governor	
48	7023134	1	Gasket, Mounting	
49	1001118580	1	Sensor, Speed	
50	1001118582	1	Actuator, Kubota Throttle	
51	1001118675	1	Flywheel Housing/Coupling Kit	
51	See Note	NSS	Coupling Assembly (Note: Use p/n 1001118675)	
51	See Note	NSS	Housing (Note: Use p/n 1001118675)	
51	See Note	NSS	Bolt Kit (Note: Use p/n 1001118675)	
52	1001118746	8	Bolt M10 x 25	
53	1001118878	4	Bolt M6 x 55	
54	1001118881	1	Clevis, Actuator	
55	1001118594	1	Battery Cable Kit	
55	4461231	1	Battery Terminal and Red Cover Only (No Cable)	
55	4461232	1	Battery Terminal and Black Cover Only (No Cable)	
56	1001118638	1	Harness, Engine (Not Shown - See ELECTRICAL SECTION for Breakdown)	
57	0100048	AR	Grease, Dielectric	
58	1320223	2	J-Clip	
59	1703162	2	Decal - Fan Blade	
60	1001100825	2	Strap	
61	1001120087	1	Pad, Wear	
62	1001120090	3	Shim	
63	1001121531	1	Insulation, Muffler	
64	1001120450	1	Cable, Ground	
65	0761018	1	Bolt M10 x 50	
66	0760610	8	Bolt M6 x 20	
67	1001147365	1	Seal, Radiator Hood	
68	1001123018	1	Plate, Seal Support	
69	0440334	1	End, Rod with Bearing	
70	0641408	2	Bolt 1/4 x 1	
71	3311405	2	Nut 1/4	
72	4761400	2	Washer 1/4	
73	1001118925	1	End, Rod with Bearing	
74	1001128888	1	Spacer	
75	0701017	1	Bolt M10 x 45	
76	0760812	2	Bolt M8 x 25	
77	0760817	1	Bolt M8 x 45	
78	3290807	2	Nut M8 x 1.25	
79	4811900	2	Washer M8	
80	1001149379	1	Bracket	
81	1001170981	1	Indicator, Air Intake Restriction (SN 0300236110 through 0300253887)	

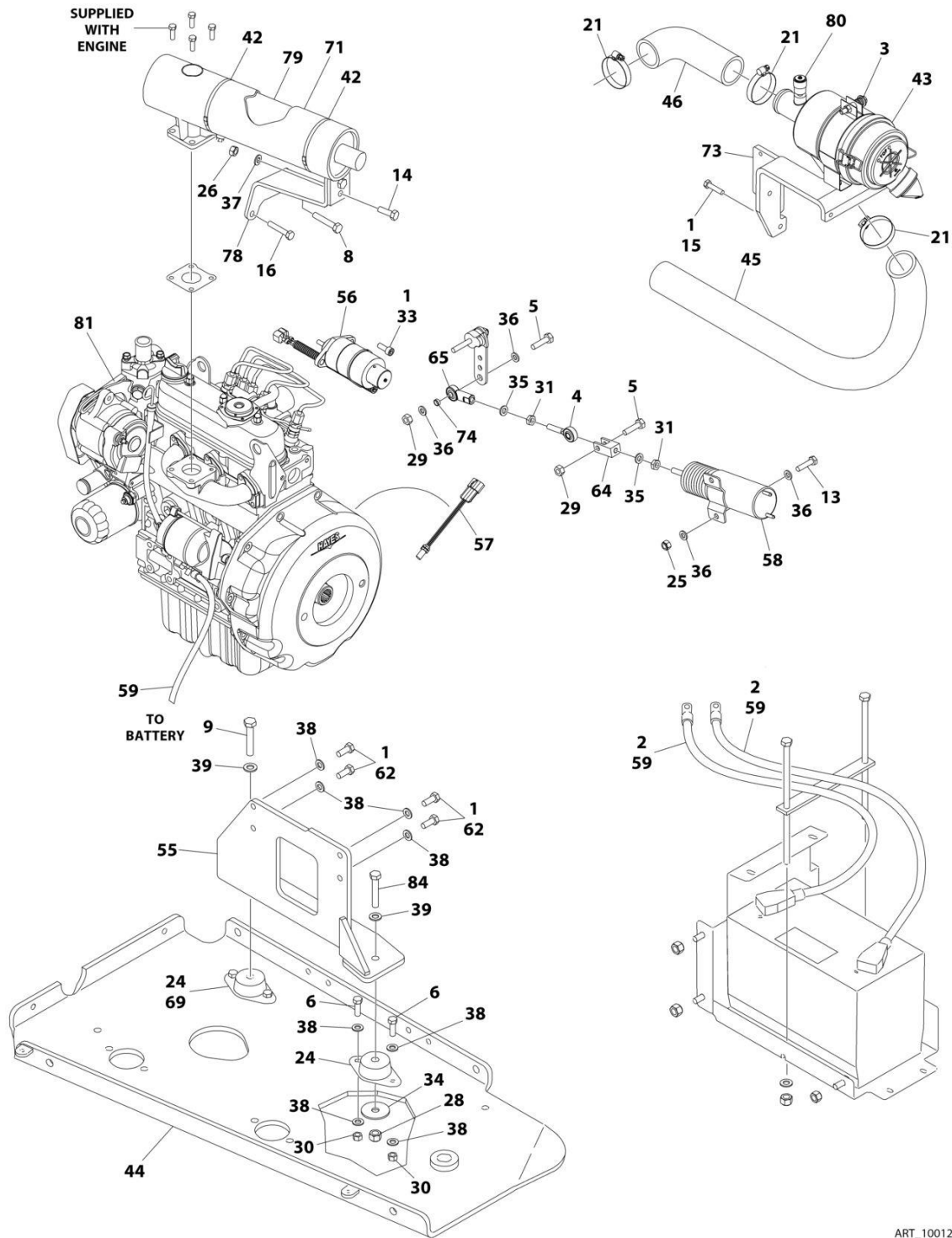
SECTION 3 - ENGINE

FIGURE 3-17. KUBOTA ENGINE ASSEMBLY WITH 4000W GENERATOR (SN 0300253888 to Present)



ART_1001238002_1OF2

SECTION 3 - ENGINE



ART_1001238002_2OF2

SECTION 3 - ENGINE

FIGURE 3-17. KUBOTA ENGINE ASSEMBLY WITH 4000W GENERATOR (SN 0300253888 to Present)

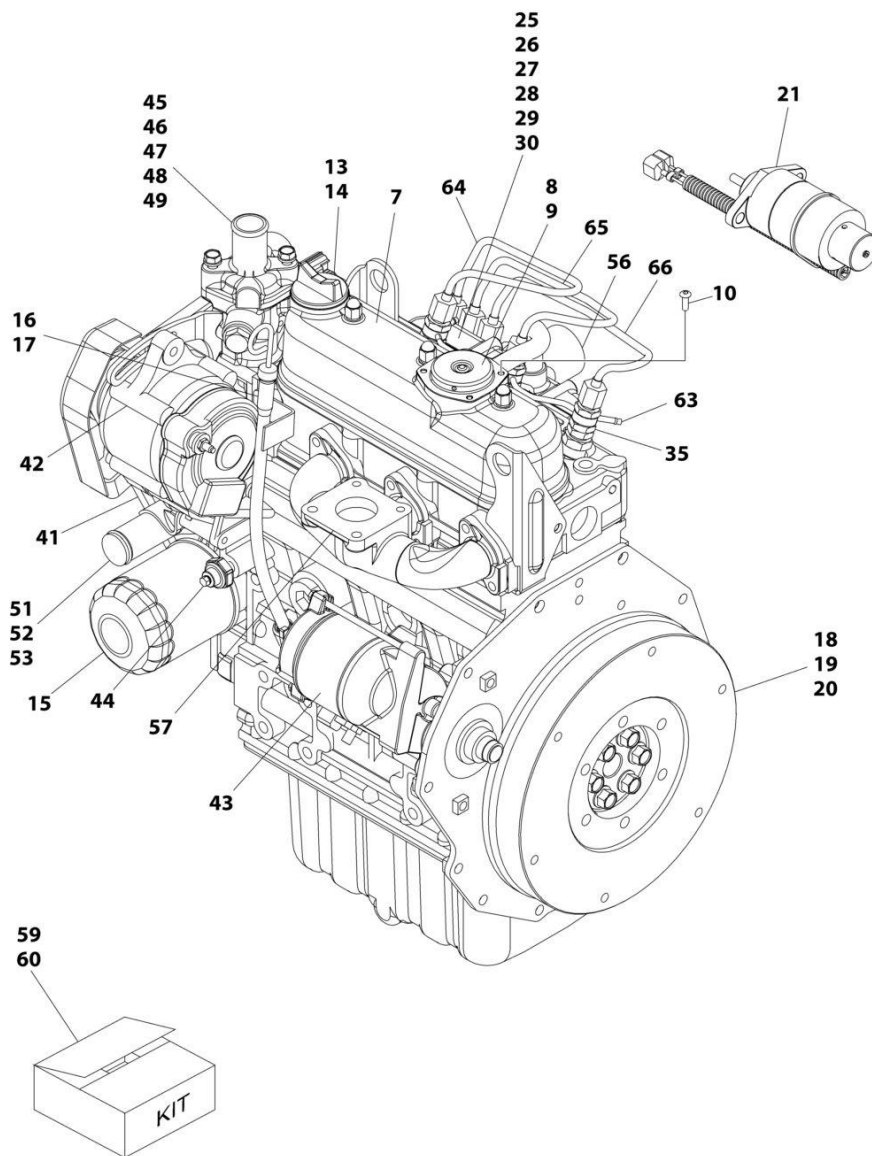
ITEM	PART NUMBER	QTY	DESCRIPTION	REV
	1001238002	Ref	KUBOTA ENGINE ASSEMBLY WITH 4000W GENERATOR	A
1	0100011	AR	Compound, Locking	
2	0100048	AR	Grease, Dielectric	
3	0340045	1	Band, Mounting	
4	0440334	1	End, Rod with Bearing	
5	0641408	2	Bolt 1/4 x 1	
6	0641609	8	Bolt 3/8 x 1-1/8	
7	0701015	6	Bolt M10 x 35	
8	0701017	1	Bolt M10 x 45	
9	0701221	4	Bolt M12 x 65	
10	0760607	2	Bolt M6 x 14	
11	0760608	5	Bolt M6 x 1.25	
12	0760610	8	Bolt M6 x 20	
13	0760612	4	Bolt M6 x 25	
14	0760812	2	Bolt M8 x 25	
15	0760815	3	Bolt M8 x 35	
16	0760817	1	Bolt M8 x 45	
17	0761014	6	Bolt M10 x 30	
18	0761018	1	Bolt M10 x 50	
19	1320012	4	Clamp	
20	1320223	2	J-Clip	
21	1321682	3	Clamp	
22	1321716	2	Clamp	
23	1703162	2	Decal - Fan Blade	
24	3200425	1	Mount, Motor	
25	3290605	17	Nut M6	
26	3290807	2	Nut M8 x 1.25	
27	3291005	12	Nut M10	
28	3291205	4	Nut M12	
29	3311405	2	Nut 1/4	
30	3311605	8	Nut 3/8	
31	3321402	2	Nut 1/4	
32	3960464	6.5 in /17cm	Seal	
33	4031707	2	Capscrew M6 x 16	
34	4740274	4	Washer	
35	4761400	2	Washer 1/4	
36	4811700	12	Washer M6	
37	4811900	2	Washer M8	
38	4812000	48	Washer M10	
39	4812100	4	Washer M12	
40	80673025	1	P-Clamp	
41	85941016	1	Clamp	
42	1001100825	2	Strap	
43	1001118280	1	Air Filter Assembly	A
43	7015004	1	Element, Air Filter	
43	1340069	1	Valve, Vacuum	
43	7015005	1	Cover	
44	1001118453	1	Tray, Engine	
45	1001118527	1	Hose, Air Intake	

SECTION 3 - ENGINE

ITEM	PART NUMBER	QTY	DESCRIPTION	REV
46	1001118528	1	Hose, Air Intake	
47	1001118529	1	Hose, Lower Radiator	
48	1001118530	1	Hose, Upper Radiator	
49	1001118531	1	Radiator	
49	70002899	1	Cap, Radiator	
50	1001118532	1	Mount, Radiator	
51	1001118538	1	Fan	
52	1001118539	1	Spacer, Fan	
53	1001118540	1	Bracket, Coolant Overflow Tank	
54	1001118542	1	Plate, LH Front Engine	
55	1001118543	1	Plate, RH Front Engine	
56	1001118579	1	Actuator, Kubota Governor	
56	7023134	1	Gasket, Mounting	
57	1001118580	1	Sensor, Speed	
58	1001118582	1	Actuator, Kubota Throttle	
59	1001118594	1	Battery Cable Kit	
59	4461231	1	Battery Terminal and Red Cover Only (No Cable)	
59	4461232	1	Battery Terminal and Black Cover Only (No Cable)	
60	1001118638	1	Harness, Engine (Not Shown - See Separate Breakdown in ELECTRICAL SECTION)	
61	1001118675	1	Flywheel Housing/Coupling Kit	
61	See Note	NSS	Coupling Assembly (Note: Use p/n 1001118675)	
61	See Note	NSS	Housing (Note: Use p/n 1001118675)	
61	See Note	NSS	Bolt Kit (Note: Use p/n 1001118675)	
62	1001118746	8	Bolt M10 x 25	
63	1001118878	4	Bolt M6 x 55	
64	1001118881	1	Clevis, Actuator	
65	1001118925	1	End, Rod with Bearing	
66	1001119698	1	Gusset, Radiator	
67	1001120087	1	Pad, Wear	
68	1001120090	3	Shim	
69	1001120307	2	Mount, Motor	
70	1001120450	1	Cable, Ground	
71	1001121531	1	Insulation, Muffler	
72	1001123018	1	Plate, Seal Support	
73	1001128214	1	Bracket, Air Filter	
74	1001128888	1	Spacer	
75	1001147365	1	Seal, Radiator Hood	
76	1001147642	1	Plate, Seal Support	
77	1001147643	1	Plate, Seal Support	
78	1001149379	1	Bracket	
79		Ref	Muffler Options:	
79	1001118547	NLA	Standard (Use p/n 1001151187)	
79	1001120007	NLA	Catalytic (Use p/n 1001151188)	
80	1001170981	1	Indicator, Air Intake Restriction	
81	1001237999	1	Engine, Kubota D1105 Stage V	

SECTION 3 - ENGINE

FIGURE 3-18. KUBOTA ENGINE COMPONENTS (Prior to SN 0300253888)



ART_1001157966

SECTION 3 - ENGINE

FIGURE 3-18. KUBOTA ENGINE COMPONENTS (Prior to SN 0300253888)

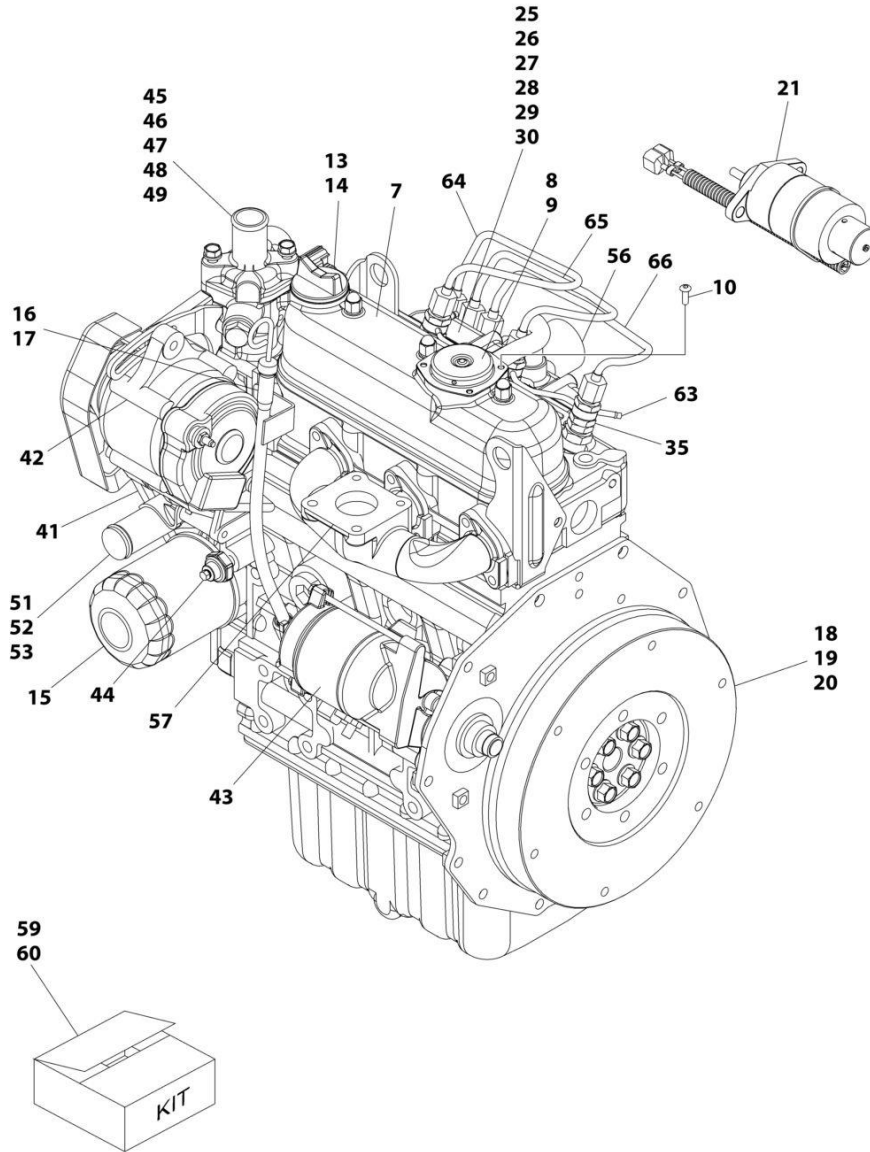
ITEM	PART NUMBER	QTY	DESCRIPTION	REV
	1001157966	Ref	KUBOTA ENGINE COMPONENTS	B
1	7017954	22	Bolt, Oil Pan (Not Shown)	
2	7023154	1	Plug, Drain (Not Shown)	
3	70002315	1	Gasket, Oil Pan (Not Shown)	
4	7017911	14	Bolt, Cylinder Head (Not Shown)	
5	7023156	1	Gasket, Gear Case (Not Shown)	
6	7023157	1	Seal, Oil (Not Shown)	
7	7023132	1	Gasket, Valve Cover	
8	70003060	1	Breather, Comp Valve	
9	70003061	1	Cover, Breather	
10	7017934	4	Screw, Pan Head	
11	70002316	1	Pipe, Water Return (Not Shown)	
12	70002317	1	Tube, Breather (Not Shown)	
13	70002318	1	Plug, Oil Fill	
14	70004311	1	O-Ring, Oil Fill Plug	
15	70004395	1	Filter, Oil	
16	7023160	1	Dipstick	
17	70003062	1	Tube, Dipstick	
18	70001934	1	Flywheel Assembly	
19	70001140	1	Gear, Ring	
20	70001935	6	Bolt, Flywheel	
21	7025479	NLA	Solenoid, Stop (Use p/n 1001118579)	
22	7017945	1	Joint, Eye (Not Shown)	
23	7023162	1	Tube, Fuel Assembly (Not Shown)	
24	7023163	1	Tube, Fuel (Not Shown)	
25	7023164	1	Pump, Fuel Injection	
26	70002319	1	Shim .175mm	
27	70002320	1	Shim .200mm	
28	70002321	1	Shim .250mm	
29	70002322	1	Shim .300mm	
30	70002323	1	Shim .350mm	
31	7023136	1	Spring, Governor (Not Shown)	
32	7023165	1	Gasket, Governor (Not Shown)	
33	70004396	1	Plate Assembly, Control (Not Shown)	
34	70004397	6	Gasket, Speed Control Plate (Not Shown)	
35	70004399	3	Nozzle Holder Kit	
35	7023167	3	Gasket, Glow Plug	
35	7023168	3	Seal	
37	70004398	3	Plug, Glow (Not Shown)	
37	70004544	3	Cord, Glow Plug (Not Shown)	
38	70004399	1	Kit, Nozzle Holder	
39	7023139	1	Fuel Pump Assembly	
40	70004400	1	Gasket, Fuel Pump	
41	7023141	1	V-Belt	
42	7017955	1	Alternator	
43	7023144	1	Starter	
44	7017901	1	Switch, Oil	
45	70003064	1	Sensor, Water Temperature	
46	70003063	1	Seal, Water Temperature Sensor	
47	7023145	1	Gasket, Water Flange	

SECTION 3 - ENGINE

ITEM	PART NUMBER	QTY	DESCRIPTION	REV
48	7023170	1	Thermostat	
49	7022326	1	Gasket, Thermostat Housing to Engine Block	
50	70002327	1	Pump, Water (Not Shown)	
51	70002328	1	Gasket, Water Pump	
52	7017963	1	Pipe, Water (Lower)	
53	70002330	1	Pipe, Water (Upper)	
54	4400498	1	Reserve Tank (Not Shown)	
55	70004401	1	Decal - Caution (Not Shown)	
56	7023149	1	Gasket, Air Intake Manifold	
57	7023148	1	Gasket, Exhaust Manifold to Engine Block	
58	7023124	1	Gasket, Exhaust Manifold to Muffler (Not Shown)	
59	70003066	1	Upper Gasket Kit (Includes Qty 1 Each of Cylinder Head, Valve Cover, Intake Manifold to Block, Exhaust Manifold to Block, Exhaust Manifold Gasket to Muffler, Thermostat Housing to Block, Thermostat Housing to Neck Gaskets and Fuel System Seals and O-Rings and Qty 6 Valve Stem Seals.)	
60	70003067	1	Lower Gasket Kit (Includes Qty 1 Each of Gear Case, Brg. Case, Gasket, Fuel Pump Gasket, Water Pump Gasket, Oil Pan Gasket, Oil Seal, O-Rings and Qty 6 Valve Stem Seals.)	
61	70004524	1	Valve, Drain (Not Shown)	
62	70005220	1	Gasket, Cylinder Head (Not Shown)	
63	70004536	1	Pipe, Over Flow	
63	70004537	1	Screw (Air Bleeder)	
63	70004538	1	Seal	
63	70004539	1	Pipe, Over Flow (Injector to Rail)	
64	70004541	1	Pipe, Injection	
65	70004542	1	Pipe, Injection	
66	70004543	1	Pipe, Injection	

SECTION 3 - ENGINE

FIGURE 3-19. KUBOTA ENGINE COMPONENTS (SN 0300253888 to Present)



ART_1001237999

SECTION 3 - ENGINE

FIGURE 3-19. KUBOTA ENGINE COMPONENTS (SN 0300253888 to Present)

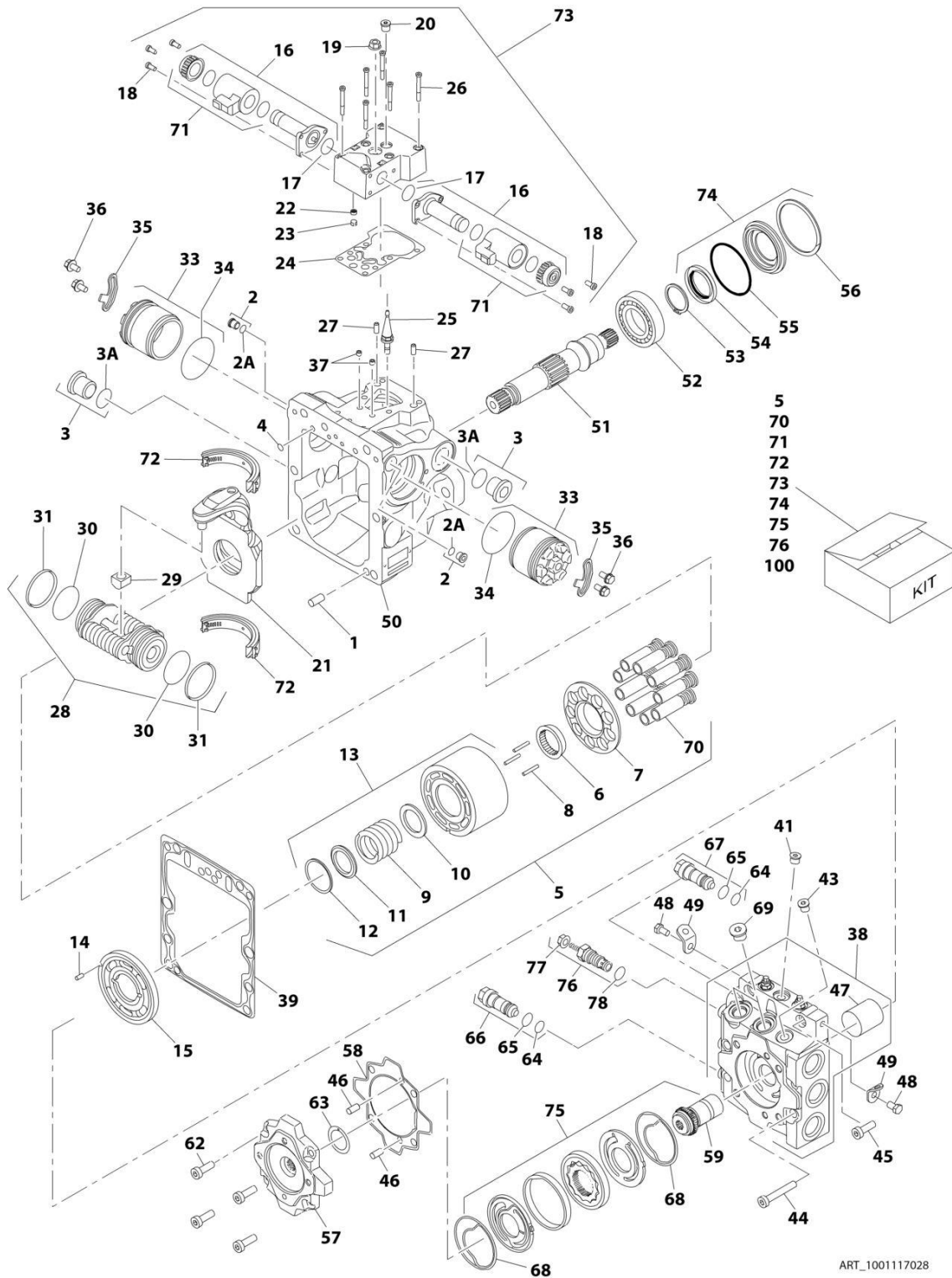
ITEM	PART NUMBER	QTY	DESCRIPTION	REV
	1001237999	Ref	KUBOTA ENGINE COMPONENTS	A
1	7017954	22	Bolt, Oil Pan (Not Shown)	
2	7023154	1	Plug, Drain (Not Shown)	
3	70002315	1	Gasket, Oil Pan (Not Shown)	
4	7017911	14	Bolt, Cylinder Head (Not Shown)	
5	7023156	1	Gasket, Gear Case (Not Shown)	
6	7023157	1	Seal, Oil (Not Shown)	
7	7023132	1	Gasket, Valve Cover	
8	70003060	1	Breather, Comp Valve	
9	70003061	1	Cover, Breather	
10	7017934	4	Screw, Pan Head	
11	70002316	1	Pipe, Water Return (Not Shown)	
12	70002317	1	Tube, Breather (Not Shown)	
13	70002318	1	Plug, Oil Fill	
14	70004311	1	O-Ring, Oil Fill Plug	
15	70004395	1	Filter, Oil	
16	7023160	1	Dipstick	
17	70003062	1	Tube, Dipstick	
18	70001934	1	Flywheel Assembly	
19	70001140	1	Gear, Ring	
20	70001935	6	Bolt, Flywheel	
21	7025479	NLA	Solenoid, Stop (Use p/n 1001118579)	
22	7017945	1	Joint, Eye (Not Shown)	
23	7023162	1	Tube, Fuel Assembly (Not Shown)	
24	7023163	1	Tube, Fuel (Not Shown)	
25	7023164	1	Pump, Fuel Injection	
26	70002319	1	Shim .175mm	
27	70002320	1	Shim .200mm	
28	70002321	1	Shim .250mm	
29	70002322	1	Shim .300mm	
30	70002323	1	Shim .350mm	
31	7023136	1	Spring, Governor (Not Shown)	
32	7023165	1	Gasket, Governor (Not Shown)	
33	70004396	1	Plate Assembly, Control (Not Shown)	
34	70004397	6	Gasket, Speed Control Plate (Not Shown)	
35	70004399	3	Nozzle Holder Kit	
35	7023167	3	Gasket, Glow Plug	
35	7023168	3	Seal	
37	70004398	3	Plug, Glow (Not Shown)	
37	70004544	3	Cord, Glow Plug (Not Shown)	
38	70004399	1	Kit, Nozzle Holder	
39	7023139	1	Fuel Pump Assembly	
40	70004400	1	Gasket, Fuel Pump	
41	7023141	1	V-Belt	
42	7017955	1	Alternator	
43	7023144	1	Starter	
44	7017901	1	Switch, Oil	
45	70003064	1	Sensor, Water Temperature	
46	70003063	1	Seal, Water Temperature Sensor	
47	7023145	1	Gasket, Water Flange	

SECTION 3 - ENGINE

ITEM	PART NUMBER	QTY	DESCRIPTION	REV
48	7023170	1	Thermostat	
49	7022326	1	Gasket, Thermostat Housing to Engine Block	
50	70002327	1	Pump, Water (Not Shown)	
51	70002328	1	Gasket, Water Pump	
52	7017963	1	Pipe, Water (Lower)	
53	70002330	1	Pipe, Water (Upper)	
54	4400498	1	Reserve Tank (Not Shown)	
55	70004401	1	Decal - Caution (Not Shown)	
56	7023149	1	Gasket, Air Intake Manifold	
57	7023148	1	Gasket, Exhaust Manifold to Engine Block	
58	7023124	1	Gasket, Exhaust Manifold to Muffler (Not Shown)	
59	70003066	1	Upper Gasket Kit (Includes Qty 1 Each of Cylinder Head, Valve Cover, Intake Manifold to Block, Exhaust Manifold to Block, Exhaust Manifold Gasket to Muffler, Thermostat Housing to Block, Thermostat Housing to Neck Gaskets and Fuel System Seals and O-Rings and Qty 6 Valve Stem Seals.)	
60	70003067	1	Lower Gasket Kit (Includes Qty 1 Each of Gear Case, Brg. Case, Gasket, Fuel Pump Gasket, Water Pump Gasket, Oil Pan Gasket, Oil Seal, O-Rings and Qty 6 Valve Stem Seals.)	
61	70004524	1	Valve, Drain (Not Shown)	
62	70005220	1	Gasket, Cylinder Head (Not Shown)	
63	70004536	1	Pipe, Over Flow	
63	70004537	1	Screw (Air Bleeder)	
63	70004538	1	Seal	
63	70004539	1	Pipe, Over Flow (Injector to Rail)	
64	70004541	1	Pipe, Injection	
65	70004542	1	Pipe, Injection	
66	70004543	1	Pipe, Injection	

SECTION 3 - ENGINE

FIGURE 3-20. AXIAL PUMP ASSEMBLY



ART_1001117028

SECTION 3 - ENGINE

FIGURE 3-20. AXIAL PUMP ASSEMBLY

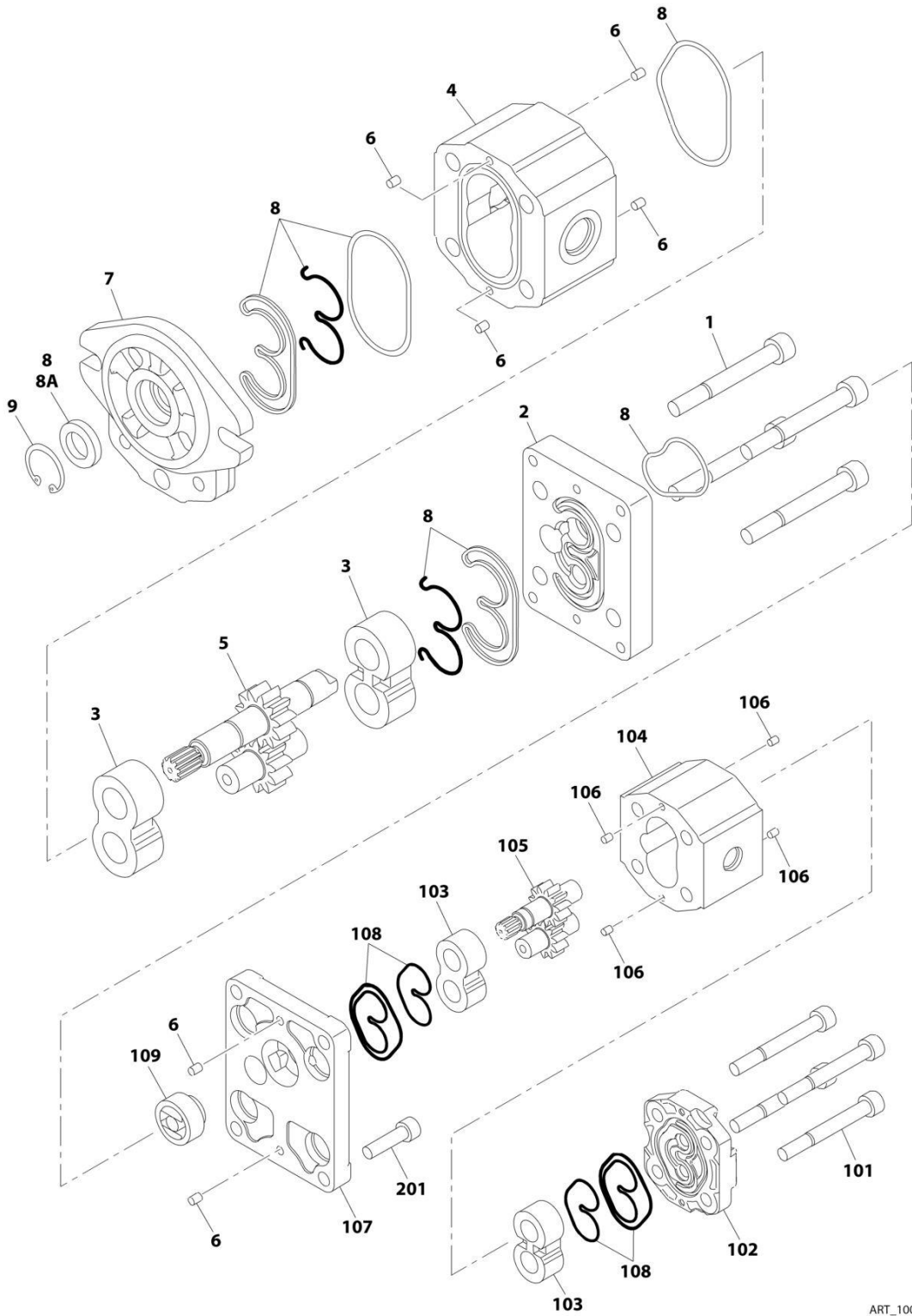
ITEM	PART NUMBER	QTY	DESCRIPTION	REV
	1001117028	Ref	AXIAL PUMP ASSEMBLY	F
1	70002132	2	Pin	
2	70002133	2	Plug	
2A	See Note	NSS	O-Ring (Note: Use Item 2)	
3	7007439	2	Plug	
3A	See Note	NSS	O-Ring (Note: Use Item 3)	
4	70002134	2	Screen	
5	70002135	1	Cylinder Block and Piston Kit (Includes Items 6-9 & 70)	
6	70002137	1	Guide	
7	70002138	1	Retainer	
8	7021275	3	Pin	
9	See Note	NSS	Cylinder Block Assembly (Includes Items 10-13) (Note: Use Item 5)	
10	70002140	1	Washer	
11	70002141	1	Washer	
12	70002142	1	Ring, Retaining	
13	70002139	1	Spring	
14	7007446	1	Pin	
15	70002601	1	Plate, Valve	
16	70002147	2	Solenoid Valve Assembly (Includes Items 17, 18 & 71)	
17	70002148	2	O-Ring (Part of Item 16)	
18	70002150	6	Screw (Part of Item 73)	
19	7022301	1	Nut, Seal (Part of Item 73)	
20	70002151	1	Plug (Part of Item 73)	
21	70002152	1	Swash Plate	
22	70002134	1	Screen (Part of Item 73)	
23	70002153	1	Ring, Locking (Part of Item 73)	
24	70002154	1	Gasket (Part of Item 73)	
25	70002155	1	Link	
26	70002156	6	Screw	
27	70002157	2	Pin	
28	70002158	1	Servo Piston Assembly (Includes Items 29-31)	
29	70002159	1	Block, Slider (Part of Item 28)	
30	70002160	2	O-Ring (Part of Item 28)	
31	70002161	2	Ring, Piston (Part of Item 28)	
33	70002603	2	Servo Cylinder Assembly (Includes Item 34)	
34	70002163	2	O-Ring (Part of Item 33)	
35	70002164	2	Plate, Locking	
36	70002165	4	Screw	
37	70002166	2	Orifice	
38	70002863	1	Cap, End (Includes Item 47)	
39	70002168	1	Gasket	
40	70001958	1	Plug (Not Shown)	
41	70001958	1	Plug	
42	70001958	1	Plug (Not Shown)	
43	70001958	2	Plug	
44	70002169	4	Screw	
45	70002170	2	Screw	
46	70002132	2	Pin	
47	70002172	1	Bearing, Journal (Part of Item 38)	

SECTION 3 - ENGINE

ITEM	PART NUMBER	QTY	DESCRIPTION	REV
48	70002165	2	Screw	
49	7022340	2	Bracket, Lifting	
50	See Note	NSS	Housing (Note: Not Available - Purchase Complete Assembly)	
51	70002175	1	Shaft	
52	70002176	1	Bearing	
53	7007439	1	Ring, Retaining	
54	70002177	1	Seal, Lip (Part of Item 74)	
55	70002178	1	O-Ring (Part of Item 74)	
56	70002179	1	Ring, Retaining (Part of Item 74)	
57	70002180	1	Adapter, Pump	
58	70002181	1	Seal	
59	70002864	1	Coupling	
62	70002185	4	Screw	
63	70002186	1	Plate, Thrust	
64	70002187	2	O-Ring (Part of Items 66 & 67)	
65	70002865	2	O-Ring (Part of Items 66 & 67)	
66	70002866	1	Valve, Relief	
67	70002866	1	Valve, Relief	
68	70002867	2	Ring, Seal (Part of Item 68)	
69	7023964	2	Plug	
70	70002136	1	Piston Kit (Includes Qty 9 Pistons) (Part of Item 5)	
71	70002149	2	Coil Kit (Part of Items 16 & 73)	
72	70002145	1	Bearing Kit	
73	70002146	1	EDC Kit (Includes Items 16-20, 22-24, 26 & 71)	
74	70002174	1	Shaft Seal Kit (Includes Items 54, 55 & 56) (Note: This is a universal kit and will contain extra pieces that are not used on this pump assembly)	
75	70002868	1	Charge Pump Kit (Includes Item 68)	
76	70002191	1	Charge Relief Valve Kit (Includes Items 77 & 78)	
77	70222301	1	Nut, Seal (Part of Item 76)	
78	7007415	1	O-Ring (Part of Item 76)	
100	70002192	1	Seal Kit (Includes Items 24, 30, 31, 34, 39, 54, 55, 58, 64, 65, 68, 77 & 78)	

SECTION 3 - ENGINE

FIGURE 3-21. GEAR PUMP ASSEMBLY



ART_1001117029

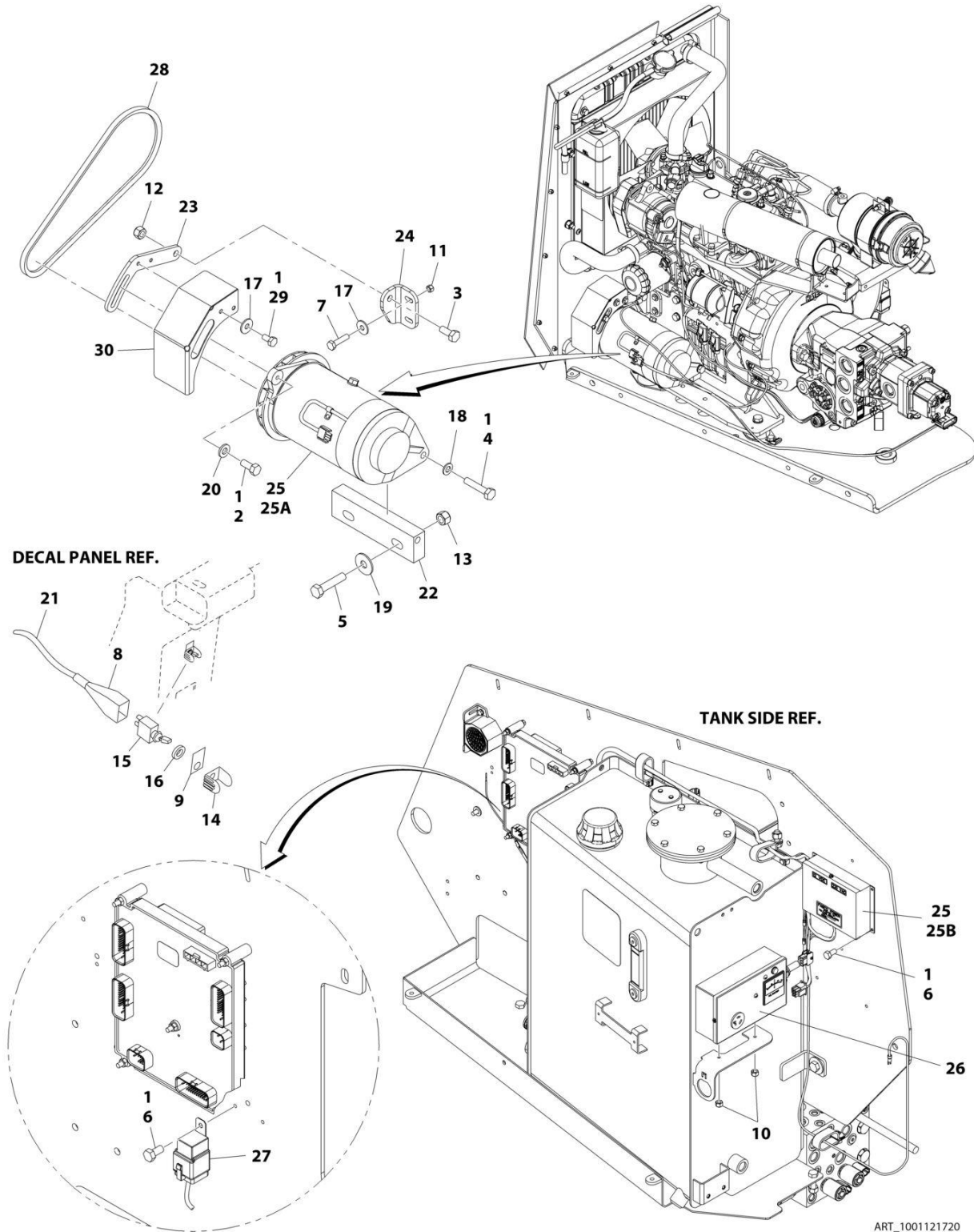
SECTION 3 - ENGINE

FIGURE 3-21. GEAR PUMP ASSEMBLY

ITEM	PART NUMBER	QTY	DESCRIPTION	REV
	1001117029	Ref	GEAR PUMP ASSEMBLY	A
		Ref	Note: For Items without P/Ns, replace complete pump.	
		Ref	Front Section Components	
1	See Note	4	Bolt	
2	See Note	1	Plate, End	
3	See Note	2	Bearing	
4	See Note	1	Housing	
5	See Note	1	Drive Shaft Set	
6	See Note	6	Pin, Dowel	
7	See Note	1	Plate, Front	
8	70002860	1	Seal Kit	
8A	70002577	NLA	Seal, Lip (Use Item 8)	
9	70002862	1	Ring, Retaining	
		Ref	Rear Section Components	
101	See Note	4	Bolt	
102	See Note	1	Plate, End	
103	See Note	2	Bearing	
104	See Note	1	Housing	
105	See Note	1	Drive Shaft Set	
106	See Note	4	Pin, Dowel	
107	See Note	1	Plate, Front	
108	70002861	1	Seal Kit	
109	See Note	1	Coupling	
201	See Note	4	Bolt	

SECTION 3 - ENGINE

FIGURE 3-22. 2800W GENERATOR INSTALLATION - GM ENGINE MACHINES 220V/50HZ GENERATOR (ANSI EXPORT AND CHINA SPECS)



SECTION 3 - ENGINE

**FIGURE 3-22. 2800W GENERATOR INSTALLATION - GM ENGINE MACHINES 220V/50HZ
GENERATOR (ANSI EXPORT AND CHINA SPECS)**

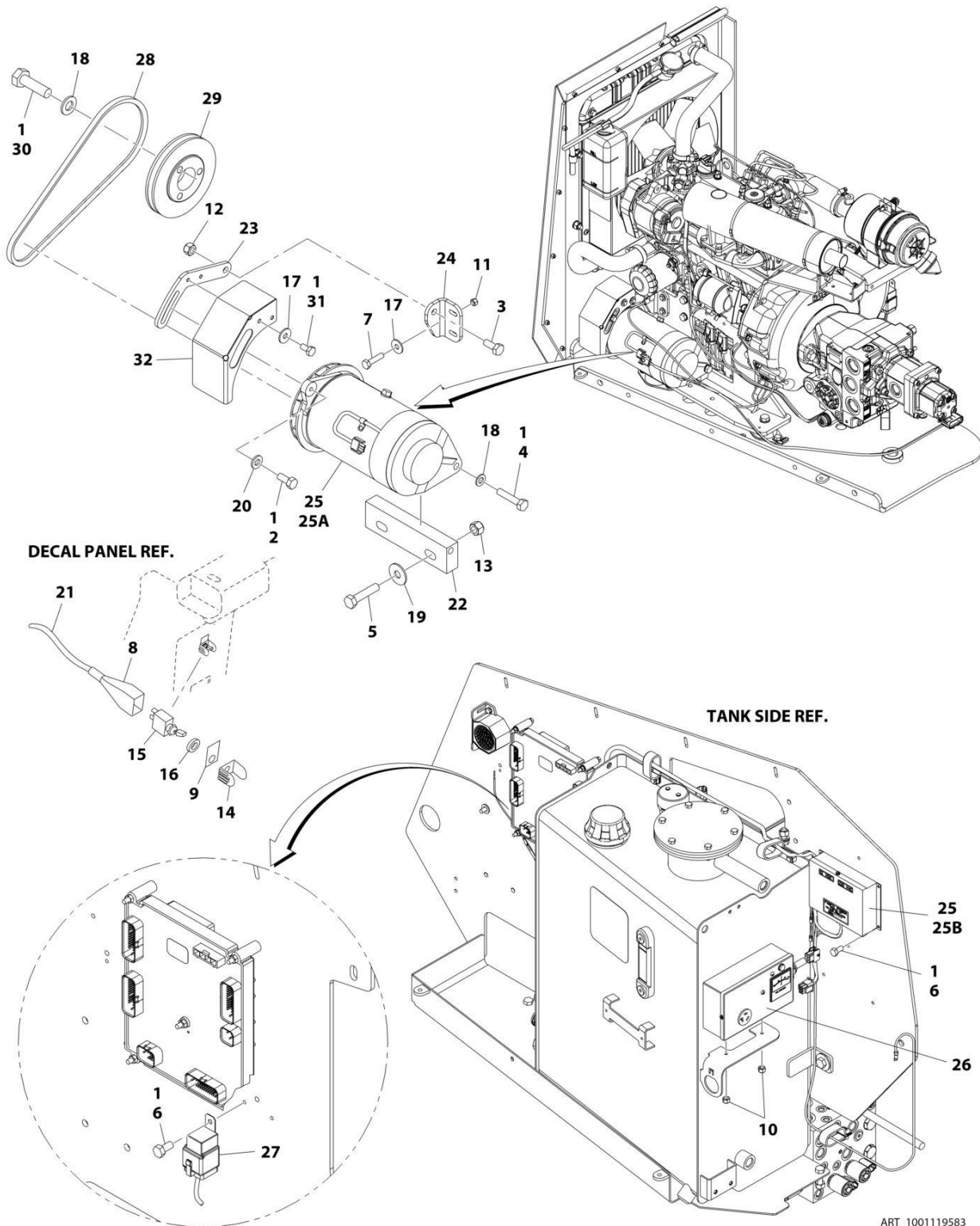
ITEM	PART NUMBER	QTY	DESCRIPTION	REV
	1001121720	Ref	2800W GENERATOR INSTALLATION - GM ENGINE MACHINES 220V/50HZ GENERATOR (ANSI EXPORT AND CHINA SPECS)	D
1	0100011	AR	Compound, Locking	
2	0641506	1	Bolt 5/16-18 x 3/4	
3	0701012	1	Bolt M10 x 25	
4	0701018	2	Bolt M10 x 50	
5	0701219	2	Bolt M12 x 55	
6	0760505	5	Bolt M5 x 10	
7	0760612	2	Bolt M6 x 25	
8	2820031	AR	Heat Shrink	
9	3251102	1	Nameplate - Generator	
10	3290505	2	Nut M5	
11	3290605	2	Nut M6	
12	3291005	1	Nut M10	
13	3291205	2	Nut M12	
14	4060802	1	Guard, Switch	
15	4360336	1	Switch, Toggle	
16	4740397	1	Washer	
17	4811702	4	Washer M6	
18	4812000	2	Washer M10	
19	4812102	2	Washer M12	
20	4891500	1	Washer 5/16	
21	4922641	1	Harness, On/Off Switch	
22	1001119551	1	Mount, Generator	
23	1001119553	1	Arm, Adjustment	
24	1001119554	1	Support, Arm	
25	1001119589	1	Generator and Voltage Regulator Assembly	C
25A	1001100321	1	Generator	
25A	70000123	1	Armature with Slip Rings	
25A	7020109	4	Holder, Brush	
25A	7020108	4	Brush	
25A	7012513	4	Cap, Brush Holder	
25A	7012514	1	Fan	
25A	7020190	2	Bearing	
25A	7020110	1	End Bell, Front	
25A	7020111	1	End Bell, Rear	
25A	70003069	1	Cord, Power	
25A	70003070	1	Pulley	
25A	7027887	1	Key, Woodruff	
25B	70002238	1	Regulator, Voltage	
26	1001119634	1	Control Box Assembly	B
26	70000126	1	Circuit Breaker	
26	7020192	1	Voltmeter	
26	70000124	1	Receptacle, Double	
26	70000125	1	Receptacle, Single Twist Lock	
26	2920162	1	Lamp	
26	70002237	1	Diode	
26	3520028	1	Plug, Hole	
27	1001119773	1	Harness, Generator (See ELECTRICAL SECTION for Breakdown)	

SECTION 3 - ENGINE

ITEM	PART NUMBER	QTY	DESCRIPTION	REV
28	1001119882	1	V-Belt	
29	0760606	2	Bolt M6 x 12	
30	1001125118	1	Shield, Pulley	

SECTION 3 - ENGINE

FIGURE 3-23. 2800W GENERATOR INSTALLATION - KUBOTA ENGINE MACHINES 120V/50HZ GENERATOR (CE SPECS)



SECTION 3 - ENGINE

FIGURE 3-23. 2800W GENERATOR INSTALLATION - KUBOTA ENGINE MACHINES 120V/50HZ GENERATOR (CE SPECS)

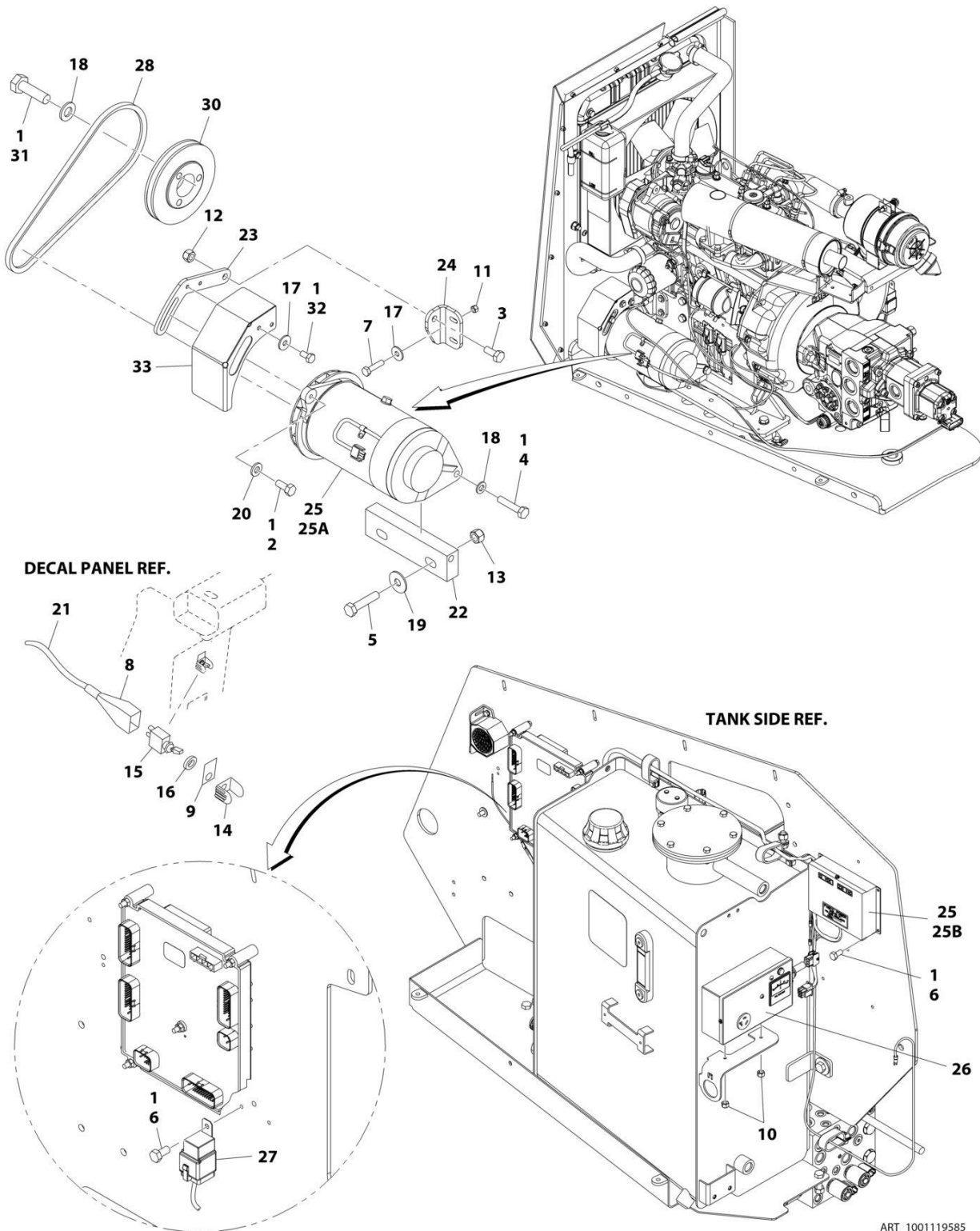
ITEM	PART NUMBER	QTY	DESCRIPTION	REV
	1001119583	Ref	2800W GENERATOR INSTALLATION - KUBOTA ENGINE MACHINES 120V/50HZ GENERATOR (CE SPECS)	E
1	0100011	AR	Compound, Locking	
2	0641506	1	Bolt 5/16-18 x 3/4	
3	0701012	1	Bolt M10 x 25	
4	0701018	2	Bolt M10 x 50	
5	0701219	2	Bolt M12 x 55	
6	0760505	5	Bolt M5 x 10	
7	0760612	2	Bolt M6 x 25	
8	2820031	AR	Heat Shrink	
9	3251102	1	Nameplate - Generator	
10	3290505	2	Nut M5	
11	3290605	2	Nut M6	
12	3291005	1	Nut M10	
13	3291205	2	Nut M12	
14	4060802	1	Guard, Switch	
15	4360336	1	Switch, Toggle	
16	4740397	1	Washer	
17	4811702	4	Washer M6	
18	4812000	5	Washer M10	
19	4812102	2	Washer M12	
20	4891500	1	Washer 5/16	
21	4922641	1	Harness, On/Off Switch	
22	1001119551	1	Mount, Generator	
23	1001119553	1	Arm, Adjustment	
24	1001119554	1	Support, Arm	
25	1001119587	1	Generator Assembly	C
25A	2460049	1	Generator	
25A	70000122	1	Armature with Slip Rings	
25A	7020109	4	Holder, Brush	
25A	7020108	4	Brush	
25A	7012513	4	Cap, Brush Holder	
25A	7012514	1	Fan	
25A	7020190	2	Bearing	
25A	7020110	1	End Bell, Front	
25A	7020111	1	End Bell, Rear	
25A	70003069	1	Cord, Power	
25A	70003070	1	Pulley	
25A	7027887	1	Key, Woodruff	
25B	7026525	1	Regulator, Voltage	
26	1001119633	1	Control Box Assembly	B
26	70002240	1	Circuit Breaker	
26	2420203	1	Voltmeter	
26	7020152	1	Receptacle, Double	
26	70003137	1	Receptacle, Single Twist Lock	
26	2920162	1	Lamp	
26	70002237	1	Diode	
26	3520028	1	Plug, Hole	
27	1001119773	1	Harness, Generator (See ELECTRICAL SECTION for Breakdown)	

SECTION 3 - ENGINE

ITEM	PART NUMBER	QTY	DESCRIPTION	REV
28	1001119882	1	V-Belt	
29	1001118720	1	Pulley	
30	1001119929	3	Bolt M10 x 35	
31	0760606	2	Bolt M6 x 12	
32	1001125118	1	Shield, Pulley	

SECTION 3 - ENGINE

FIGURE 3-24. 2800W GENERATOR INSTALLATION - KUBOTA ENGINE MACHINES 220V/50HZ GENERATOR (ANSI EXPORT, AUSTRALIAN, CE AND CHINA SPECS)



SECTION 3 - ENGINE

**FIGURE 3-24. 2800W GENERATOR INSTALLATION - KUBOTA ENGINE MACHINES 220V/50HZ
GENERATOR (ANSI EXPORT, AUSTRALIAN, CE AND CHINA SPECS)**

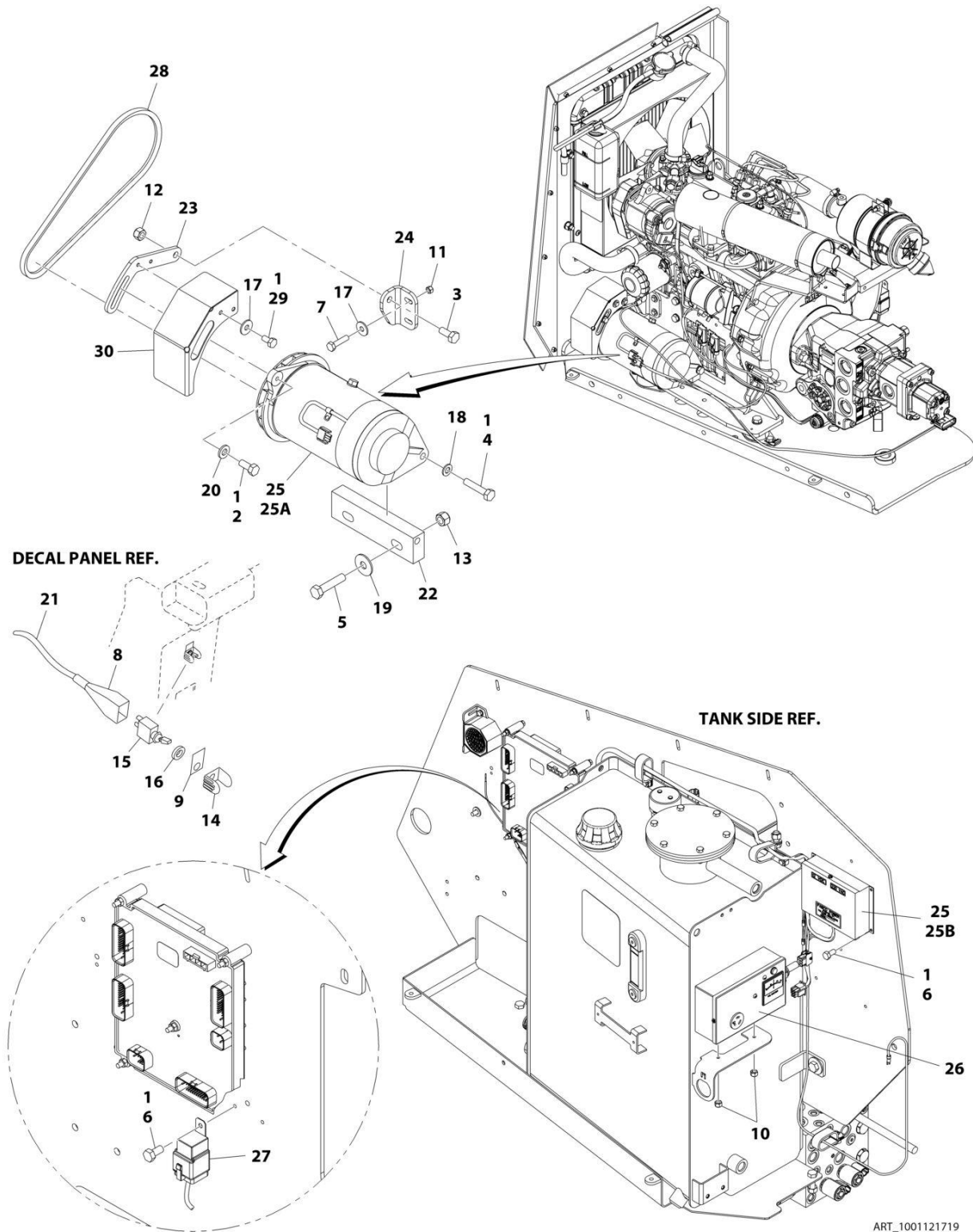
ITEM	PART NUMBER	QTY	DESCRIPTION	REV
	1001119585	Ref	2800W GENERATOR INSTALLATION - KUBOTA ENGINE MACHINES 220V/50HZ GENERATOR (ANSI EXPORT, AUSTRALIAN, CE AND CHINA SPECS)	E
1	0100011	AR	Compound, Locking	
2	0641506	1	Bolt 5/16-18 x 3/4	
3	0701012	1	Bolt M10 x 25	
4	0701018	2	Bolt M10 x 50	
5	0701219	2	Bolt M12 x 55	
6	0760505	5	Bolt M5 x 10	
7	0760612	2	Bolt M6 x 25	
8	2820031	AR	Heat Shrink	
9	3251102	1	Nameplate - Generator	
10	3290505	2	Nut M5	
11	3290605	2	Nut M6	
12	3291005	1	Nut M10	
13	3291205	2	Nut M12	
14	4060802	1	Guard, Switch	
15	4360336	1	Switch, Toggle	
16	4740397	1	Washer	
17	4811702	4	Washer M6	
18	4812000	5	Washer M10	
19	4812102	2	Washer M12	
20	4891500	1	Washer 5/16	
21	4922641	1	Harness, On/Off Switch	
22	1001119551	1	Mount, Generator	
23	1001119553	1	Arm, Adjustment	
24	1001119554	1	Support, Arm	
25	1001119589	1	Generator Assembly	C
25A	1001100321	1	Generator	
25A	70000123	1	Armature with Slip Rings	
25A	7020109	4	Holder, Brush	
25A	7020108	4	Brush	
25A	7012513	4	Cap, Brush Holder	
25A	7012514	1	Fan	
25A	7020190	2	Bearing	
25A	7020110	1	End Bell, Front	
25A	7020111	1	End Bell, Rear	
25A	70003069	1	Cord, Power	
25A	70003070	1	Pulley	
25A	7027887	1	Key, Woodruff	
25B	70002238	1	Regulator, Voltage	
26	1001119634	1	Control Box Assembly	B
26	70000126	1	Circuit Breaker	
26	7020192	1	Voltmeter	
26	70000124	1	Receptacle, Double	
26	70000125	1	Receptacle, Single Twist Lock	
26	2920162	1	Lamp	
26	70002237	1	Diode	
26	3520028	1	Plug, Hole	

SECTION 3 - ENGINE

ITEM	PART NUMBER	QTY	DESCRIPTION	REV
27	1001119773	1	Harness, Generator (See ELECTRICAL SECTION for Breakdown)	
28	1001119882	1	V-Belt	
30	1001118720	1	Pulley	
31	1001119929	3	Bolt M10 x 35	
32	0760606	2	Bolt M6 x 12	
33	1001125118	1	Shield, Pulley	

SECTION 3 - ENGINE

FIGURE 3-25. 3500W GENERATOR INSTALLATION - GM ENGINE MACHINES 120V/60HZ GENERATOR (ANSI, ANSI EXPORT, CHINA, CSA AND JAPANESE SPECS)



SECTION 3 - ENGINE

**FIGURE 3-25. 3500W GENERATOR INSTALLATION - GM ENGINE MACHINES 120V/60HZ
GENERATOR (ANSI, ANSI EXPORT, CHINA, CSA AND JAPANESE SPECS)**

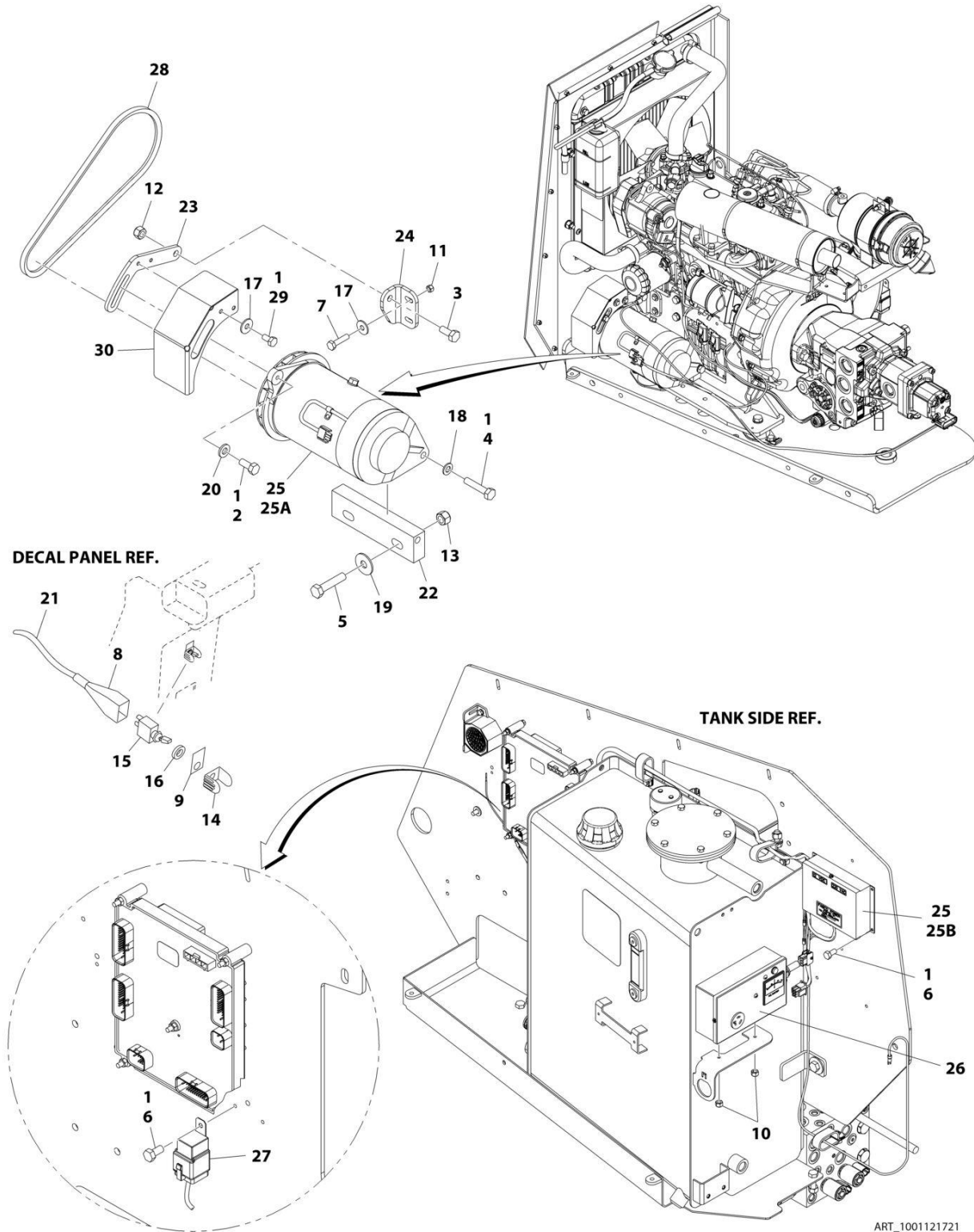
ITEM	PART NUMBER	QTY	DESCRIPTION	REV
	1001121719	Ref	3500W GENERATOR INSTALLATION - GM ENGINE MACHINES 120V/60HZ GENERATOR (ANSI, ANSI EXPORT, CHINA, CSA AND JAPANESE SPECS)	D
1	0100011	AR	Compound, Locking	
2	0641506	1	Bolt 5/16-18 x 3/4	
3	0701012	1	Bolt M10 x 25	
4	0701018	2	Bolt M10 x 50	
5	0701219	2	Bolt M12 x 55	
6	0760505	5	Bolt M5 x 10	
7	0760612	2	Bolt M6 x 25	
8	2820031	AR	Heat Shrink	
9	3251102	1	Nameplate - Generator	
10	3290505	2	Nut M5	
11	3290605	2	Nut M6	
12	3291005	1	Nut M10	
13	3291205	2	Nut M12	
14	4060802	1	Guard, Switch	
15	4360336	1	Switch, Toggle	
16	4740397	1	Washer	
17	4811702	4	Washer M6	
18	4812000	2	Washer M10	
19	4812102	2	Washer M12	
20	4891500	1	Washer 5/16	
21	4922641	1	Harness, On/Off Switch	
22	1001119551	1	Mount, Generator	
23	1001119553	1	Arm, Adjustment	
24	1001119554	1	Support, Arm	
25	1001119586	1	Generator and Voltage Regulator Assembly	C
25A	2460049	1	Generator	
25A	70000122	1	Armature with Slip Rings	
25A	7020109	4	Holder, Brush	
25A	7020108	4	Brush	
25A	7012513	4	Cap, Brush Holder	
25A	7012514	1	Fan	
25A	7020190	2	Bearing	
25A	7020110	1	End Bell, Front	
25A	7020111	1	End Bell, Rear	
25A	70003069	1	Cord, Power	
25A	70003068	1	Pulley	
25A	7027887	1	Key, Woodruff	
25B	7026525	1	Regulator, Voltage	
26	1001119633	1	Control Box Assembly	B
26	70002240	1	Circuit Breaker	
26	2420203	1	Voltmeter	
26	7020152	1	Receptacle, Double	
26	70003137	1	Receptacle, Single Twist Lock	
26	2920162	1	Lamp	
26	70002237	1	Diode	
26	3520028	1	Plug, Hole	

SECTION 3 - ENGINE

ITEM	PART NUMBER	QTY	DESCRIPTION	REV
27	1001119773	1	Harness, Generator (See ELECTRICAL SECTION for Breakdown)	
28	1001119881	1	V-Belt	
29	0760606	2	Bolt M6 x 12	
30	1001125118	1	Shield, Pulley	

SECTION 3 - ENGINE

FIGURE 3-26. 3500W GENERATOR INSTALLATION - GM ENGINE MACHINES 220V/60HZ GENERATOR (ANSI EXPORT, CHINA AND CSA SPECS)



SECTION 3 - ENGINE

**FIGURE 3-26. 3500W GENERATOR INSTALLATION - GM ENGINE MACHINES 220V/60HZ
GENERATOR (ANSI EXPORT, CHINA AND CSA SPECS)**

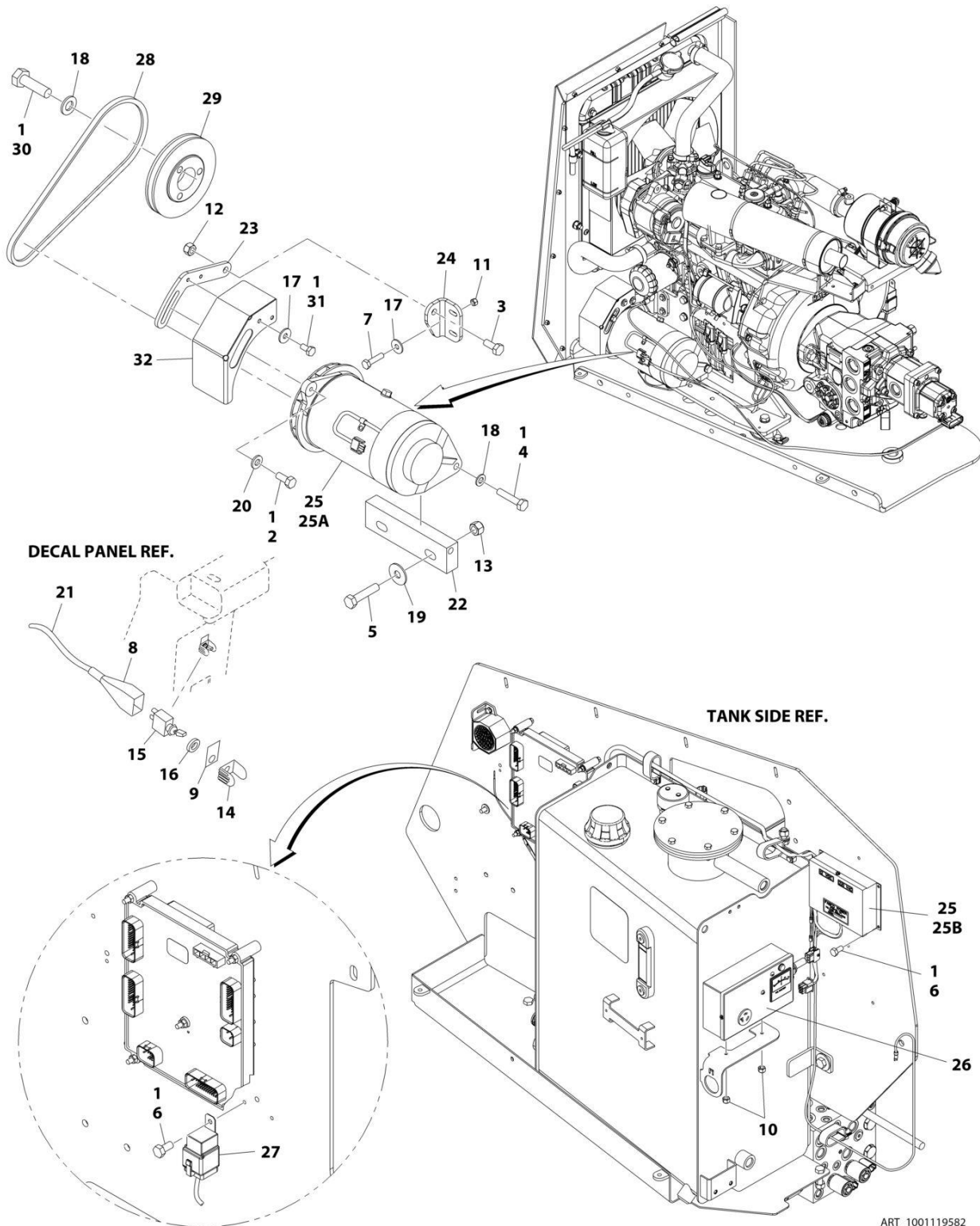
ITEM	PART NUMBER	QTY	DESCRIPTION	REV
	1001121721	Ref	3500W GENERATOR INSTALLATION - GM ENGINE MACHINES 220V/60HZ GENERATOR (ANSI EXPORT, CHINA AND CSA SPECS)	D
1	0100011	AR	Compound, Locking	
2	0641506	1	Bolt 5/16-18 x 3/4	
3	0701012	1	Bolt M10 x 25	
4	0701018	2	Bolt M10 x 50	
5	0701219	2	Bolt M12 x 55	
6	0760505	5	Bolt M5 x 10	
7	0760612	2	Bolt M6 x 25	
8	2820031	AR	Heat Shrink	
9	3251102	1	Nameplate - Generator	
10	3290505	2	Nut M5	
11	3290605	2	Nut M6	
12	3291005	1	Nut M10	
13	3291205	2	Nut M12	
14	4060802	1	Guard, Switch	
15	4360336	1	Switch, Toggle	
16	4740397	1	Washer	
17	4811702	4	Washer M6	
18	4812000	2	Washer M10	
19	4812102	2	Washer M12	
20	4891500	1	Washer 5/16	
21	4922641	1	Harness, On/Off Switch	
22	1001119551	1	Mount, Generator	
23	1001119553	1	Arm, Adjustment	
24	1001119554	1	Support, Arm	
25	1001119588	1	Generator and Voltage Regulator Assembly	C
25A	1001100321	1	Generator	
25A	70000123	1	Armature with Slip Rings	
25A	7020109	4	Holder, Brush	
25A	7020108	4	Brush	
25A	7012513	4	Cap, Brush Holder	
25A	7012514	1	Fan	
25A	7020190	2	Bearing	
25A	7020110	1	End Bell, Front	
25A	7020111	1	End Bell, Rear	
25A	70003069	1	Cord, Power	
25A	70003068	1	Pulley	
25A	7027887	1	Key, Woodruff	
25B	70002238	1	Regulator, Voltage	
26	1001119634	1	Control Box Assembly	B
26	70000126	1	Circuit Breaker	
26	7020192	1	Voltmeter	
26	70000124	1	Receptacle, Double	
26	70000125	1	Receptacle, Single Twist Lock	
26	2920162	1	Lamp	
26	70002237	1	Diode	
26	3520028	1	Plug, Hole	

SECTION 3 - ENGINE

ITEM	PART NUMBER	QTY	DESCRIPTION	REV
27	1001119773	1	Harness, Generator (See ELECTRICAL SECTION for Breakdown)	
28	1001119881	1	V-Belt	
29	0760606	2	Bolt M6 x 12	
30	1001125118	1	Shield, Pulley	

SECTION 3 - ENGINE

FIGURE 3-27. 3500W GENERATOR INSTALLATION - KUBOTA ENGINE MACHINES 120V/60HZ GENERATOR (ANSI, ANSI EXPORT, CHINA, CSA AND JAPANESE SPECS)



ART_1001119582

SECTION 3 - ENGINE

FIGURE 3-27. 3500W GENERATOR INSTALLATION - KUBOTA ENGINE MACHINES 120V/60HZ GENERATOR (ANSI, ANSI EXPORT, CHINA, CSA AND JAPANESE SPECS)

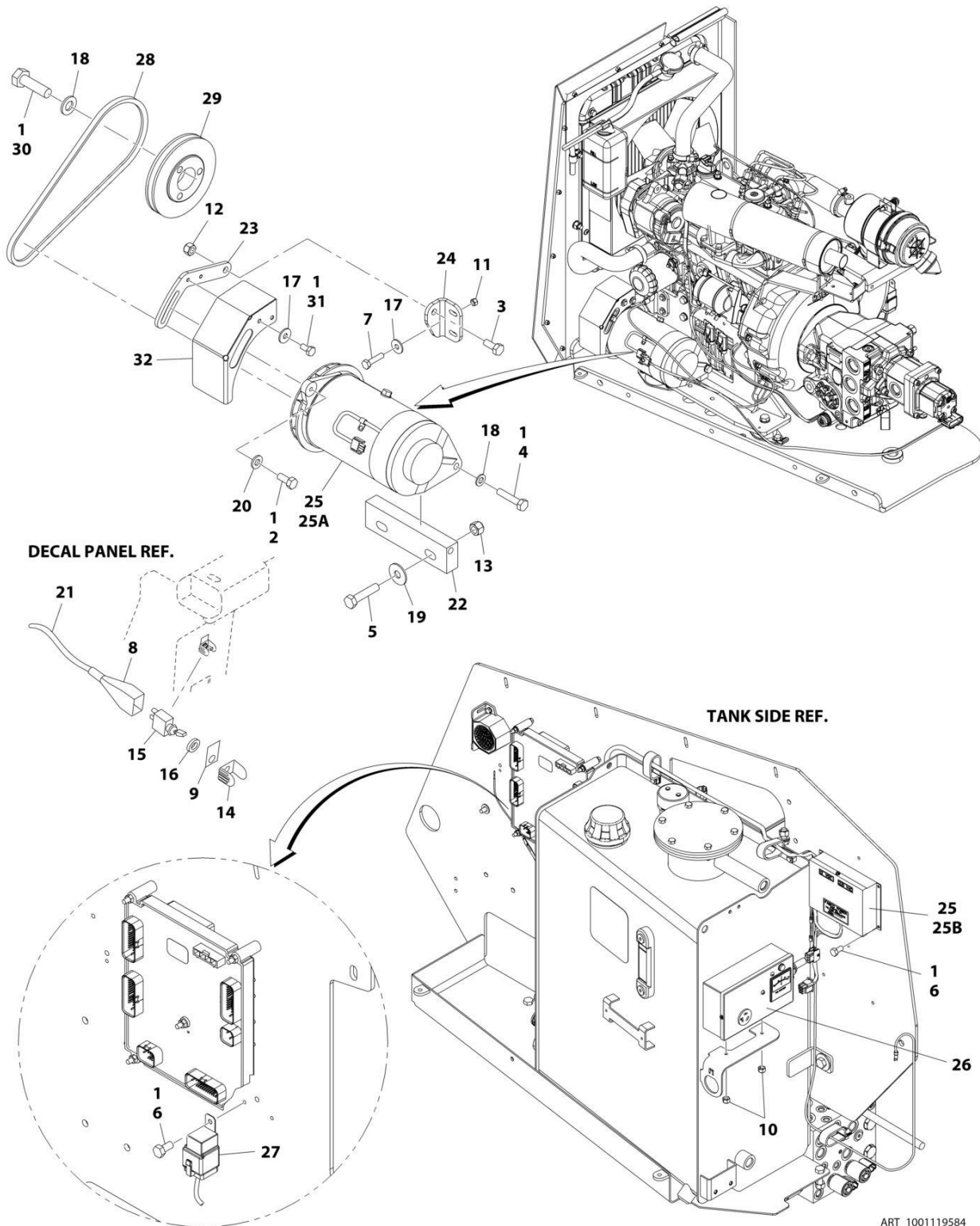
ITEM	PART NUMBER	QTY	DESCRIPTION	REV
	1001119582	Ref	3500W GENERATOR INSTALLATION - KUBOTA ENGINE MACHINES 120V/60HZ GENERATOR (ANSI, ANSI EXPORT, CHINA, CSA AND JAPANESE SPECS)	E
1	0100011	AR	Compound, Locking	
2	0641506	1	Bolt 5/16-18 x 3/4	
3	0701012	1	Bolt M10 x 25	
4	0701018	2	Bolt M10 x 50	
5	0701219	2	Bolt M12 x 55	
6	0760505	5	Bolt M5 x 10	
7	0760612	2	Bolt M6 x 25	
8	2820031	AR	Heat Shrink	
9	3251102	1	Nameplate - Generator	
10	3290505	2	Nut M5	
11	3290605	2	Nut M6	
12	3291005	1	Nut M10	
13	3291205	2	Nut M12	
14	4060802	1	Guard, Switch	
15	4360336	1	Switch, Toggle	
16	4740397	1	Washer	
17	4811702	4	Washer M6	
18	4812000	5	Washer M10	
19	4812102	2	Washer M12	
20	4891500	1	Washer 5/16	
21	4922641	1	Harness, On/Off Switch	
22	1001119551	1	Mount, Generator	
23	1001119553	1	Arm, Adjustment	
24	1001119554	1	Support, Arm	
25	1001119586	1	Generator Assembly	C
25A	2460049	1	Generator	
25A	70000122	1	Armature with Slip Rings	
25A	7020109	4	Holder, Brush	
25A	7020108	4	Brush	
25A	7012513	4	Cap, Brush Holder	
25A	7012514	1	Fan	
25A	7020190	2	Bearing	
25A	7020110	1	End Bell, Front	
25A	7020111	1	End Bell, Rear	
25A	70003069	1	Cord, Power	
25A	70003068	1	Pulley	
25A	7027887	1	Key, Woodruff	
25B	7026525	1	Regulator, Voltage	
26	1001119633	1	Control Box Assembly	B
26	70002240	1	Circuit Breaker	
26	2420203	1	Voltmeter	
26	7020152	1	Receptacle, Double	
26	70003137	1	Receptacle, Single Twist Lock	
26	2920162	1	Lamp	
26	70002237	1	Diode	
26	3520028	1	Plug, Hole	

SECTION 3 - ENGINE

ITEM	PART NUMBER	QTY	DESCRIPTION	REV
27	1001119773	1	Harness, Generator (See ELECTRICAL SECTION for Breakdown)	
28	1001119881	1	V-Belt	
29	1001118720	1	Pulley	
30	1001119929	3	Bolt M10 x 35	
31	0760606	2	Bolt M6 x 12	
32	1001125118	1	Shield, Pulley	

SECTION 3 - ENGINE

FIGURE 3-28. 3500W GENERATOR INSTALLATION - KUBOTA ENGINE MACHINES 220V/60HZ GENERATOR (ANSI EXPORT, CHINA AND CSA SPECS)



SECTION 3 - ENGINE

**FIGURE 3-28. 3500W GENERATOR INSTALLATION - KUBOTA ENGINE MACHINES 220V/60HZ
GENERATOR (ANSI EXPORT, CHINA AND CSA SPECS)**

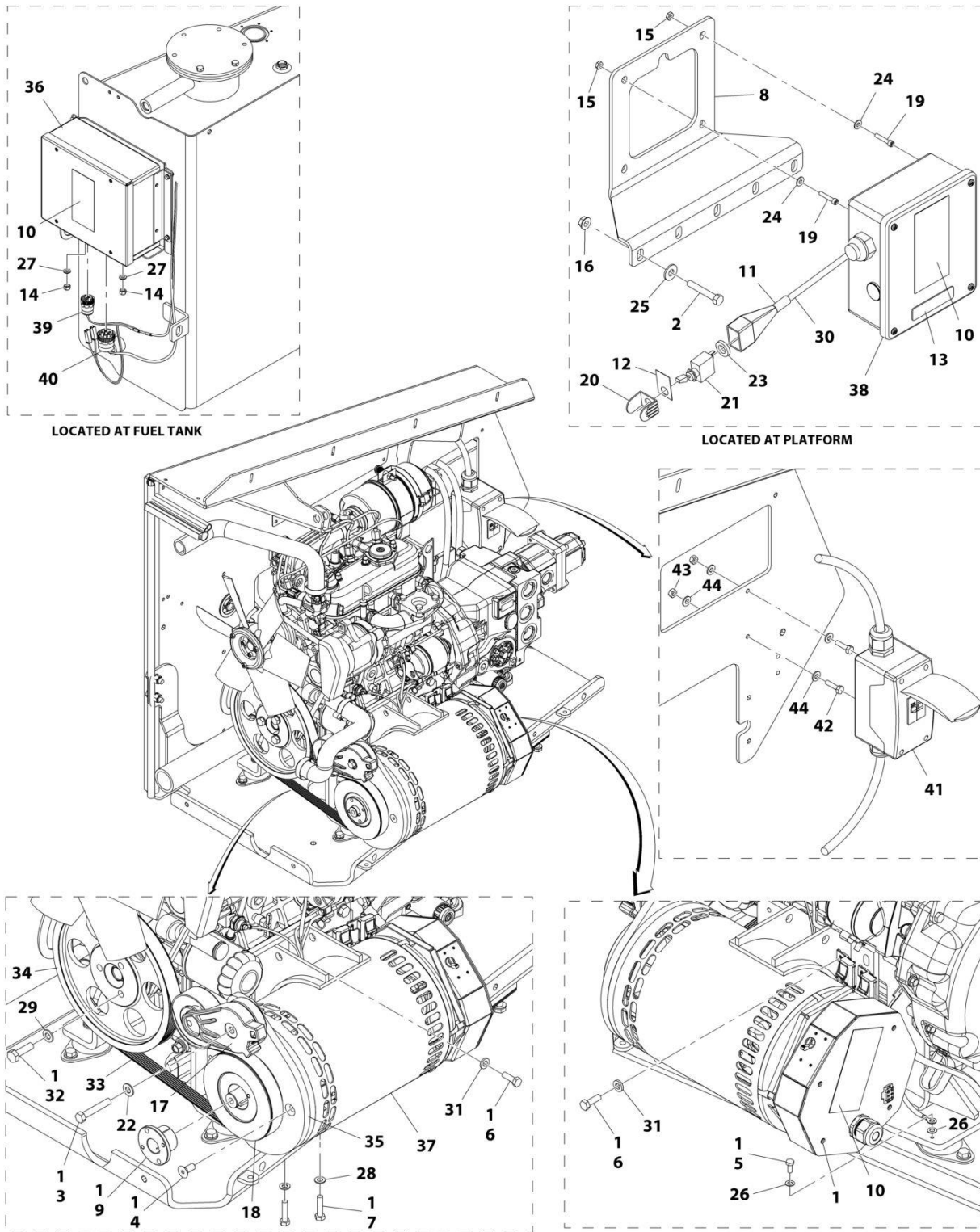
ITEM	PART NUMBER	QTY	DESCRIPTION	REV
	1001119584	Ref	3500W GENERATOR INSTALLATION - KUBOTA ENGINE MACHINES 220V/60HZ GENERATOR (ANSI EXPORT, CHINA AND CSA SPECS)	E
1	0100011	AR	Compound, Locking	
2	0641506	1	Bolt 5/16-18 x 3/4	
3	0701012	1	Bolt M10 x 25	
4	0701018	2	Bolt M10 x 50	
5	0701219	2	Bolt M12 x 55	
6	0760505	5	Bolt M5 x 10	
7	0760612	2	Bolt M6 x 25	
8	2820031	AR	Heat Shrink	
9	3251102	1	Nameplate - Generator	
10	3290505	2	Nut M5	
11	3290605	2	Nut M6	
12	3291005	1	Nut M10	
13	3291205	2	Nut M12	
14	4060802	1	Guard, Switch	
15	4360336	1	Switch, Toggle	
16	4740397	1	Washer	
17	4811702	4	Washer M6	
18	4812000	5	Washer M10	
19	4812102	2	Washer M12	
20	4891500	1	Washer 5/16	
21	4922641	1	Harness, On/Off Switch	
22	1001119551	1	Mount, Generator	
23	1001119553	1	Arm, Adjustment	
24	1001119554	1	Support, Arm	
25	1001119588	1	Generator Assembly	C
25A	1001100321	1	Generator	
25A	70000123	1	Armature with Slip Rings	
25A	7020109	4	Holder, Brush	
25A	7020108	4	Brush	
25A	7012513	4	Cap, Brush Holder	
25A	7012514	1	Fan	
25A	7020190	2	Bearing	
25A	7020110	1	End Bell, Front	
25A	7020111	1	End Bell, Rear	
25A	70003069	1	Cord, Power	
25A	70003068	1	Pulley	
25A	7027887	1	Key, Woodruff	
25B	70002238	1	Regulator, Voltage	
26	1001119634	1	Control Box Assembly	B
26	70000126	1	Circuit Breaker	
26	7020192	1	Voltmeter	
26	70000124	1	Receptacle, Double	
26	70000125	1	Receptacle, Single Twist Lock	
26	2920162	1	Lamp	
26	70002237	1	Diode	
26	3520028	1	Plug, Hole	

SECTION 3 - ENGINE

ITEM	PART NUMBER	QTY	DESCRIPTION	REV
27	1001119773	1	Harness, Generator (See ELECTRICAL SECTION for Breakdown)	
28	1001119881	1	V-Belt	
29	1001118720	1	Pulley	
30	1001119929	3	Bolt M10 x 35	
31	0760606	2	Bolt M6 x 12	
32	1001125118	1	Shield, Pulley	

SECTION 3 - ENGINE

FIGURE 3-29. 4000W GENERATOR INSTALLATION - KUBOTA ENGINE MACHINES 220V/50HZ GENERATOR (ANSI EXPORT, AUSTRALIAN, CE, CHINA AND JAPANESE SPECS)



ART_1001148660

SECTION 3 - ENGINE

FIGURE 3-29. 4000W GENERATOR INSTALLATION - KUBOTA ENGINE MACHINES 220V/50HZ GENERATOR (ANSI EXPORT, AUSTRALIAN, CE, CHINA AND JAPANESE SPECS)

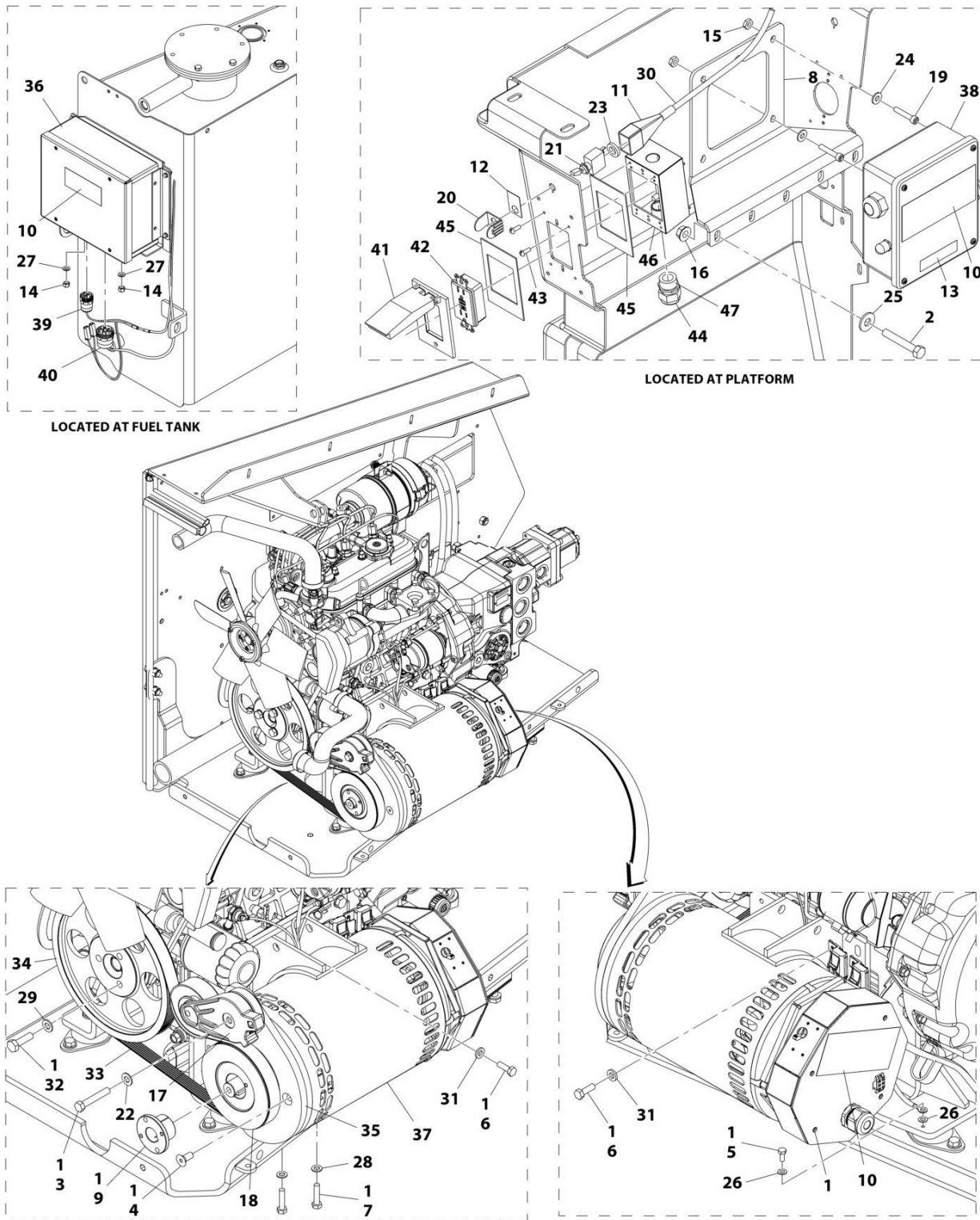
ITEM	PART NUMBER	QTY	DESCRIPTION	REV
	1001148660	Ref	4000W GENERATOR INSTALLATION - KUBOTA ENGINE MACHINES 220V/50HZ GENERATOR (ANSI EXPORT, AUSTRALIAN, CE, CHINA AND JAPANESE SPECS)	D
1	0100011	AR	Compound, Locking	
2	0641516	3	Bolt 5/16 x 2 (SN 0300200802 through 0300203564)	
3	0641618	1	Bolt 3/8 x 2-1/4	
4	0741607	3	Bolt 3/8 x 0.88	
5	0760607	1	Bolt M6 x 14	
6	0760812	2	Bolt M8 x 25	
7	0760815	2	Bolt M8 x 35	
8	0902888	1	Bracket, Generator Junction Box (SN 0300200802 through 0300203564)	
9	0962520	1	Bushing, Split Taper	
10	1705489	AR	Decal - Hazardous Voltage	
11	2820031	AR	Heat Shrink	
12	3251102	1	Nameplate, Generator	
13	3251242	1	Decal - 240V/50Hz (SN 0300200802 through 0300203564)	
14	3290505	2	Nut M5	
15	3311005	4	Nut #10 (SN 0300200802 through 0300203564)	
16	3311508	3	Nut #5/16 (SN 0300200802 through 0300203564)	
17	3580317	1	Pulley, Belt Tensioner	
18	3580319	1	Pulley, Generator - 50Hz	
19	3931016	4	Bolt #10 x 1 (SN 0300200802 through 0300203564)	
20	4060802	1	Guard, Switch	
21	4360336	1	Switch, Toggle	
22	4711600	1	Washer 3/8	
23	4740397	1	Washer	
24	4751000	4	Washer #10 (SN 0300200802 through 0300203564)	
25	4751500	3	Washer #5/16 (SN 0300200802 through 0300203564)	
26	4791400	2	Washer 1/4	
27	4811600	2	Washer M5	
28	4811900	2	Washer M8	
29	4812000	3	Washer M10	
30	4922641	1	Harness, On/Off Switch	
31	5240800	2	Washer M8	
32	1001119929	3	Bolt M10 x 35	
33	1001147141	1	Belt, 4000W - 50Hz	
34	1001147233	1	Pulley	
35	1001147234	1	Mount, Generator Tensioner	
36	1001147431	1	4000W Control Box Installation	
37	1001150619	1	Generator, 4000W - 50Hz	
37	70003709	1	Ring, Retaining - External (Shaft End)	
37	70003708	1	Ring, Retaining - Internal (Shaft End)	
37	70001966	1	Bearing (Shaft End)	
37	70004092	1	Endbell (Shaft End)	
37	70004099	1	Key, Shaft	
37	70004676	1	Rotor/Shaft Assembly	
37	70004688	1	Stator	
37	70004678	1	Endbell (Closure End)	

SECTION 3 - ENGINE

ITEM	PART NUMBER	QTY	DESCRIPTION	REV
37	70004679	1	Cover, Endbell (Closure End)	
37	70004689	1	Enclosure, Wiring	
37	70004690	1	Cover, Enclosure	
37	70004682	1	Switch, On/Off/Reset	
37	70004683	1	Connector, Strain Relief	
38	1001152458	1	Box, Junction Assembly (SN 0300200802 through 0300203564)	
39	1001157915	1	Harness, 4000W Generator	
40	1001157916	1	Harness, Generator (See ELECTRICAL SECTION for Breakdown)	
41	1001096070	1	Kit, Box and Bracket	
42	0641408	2	Bolt 1/4 x 1	
43	3311405	2	Nut 1/4	
44	4711400	4	Washer 1/4	

SECTION 3 - ENGINE

FIGURE 3-30. 4000W GENERATOR INSTALLATION - KUBOTA ENGINE MACHINES 110V/60HZ GENERATOR (ANSI, ANSI EXPORT, CHINA, CSA AND JAPANESE SPECS)



ART_1001148663

SECTION 3 - ENGINE

FIGURE 3-30. 4000W GENERATOR INSTALLATION - KUBOTA ENGINE MACHINES 110V/60HZ GENERATOR (ANSI, ANSI EXPORT, CHINA, CSA AND JAPANESE SPECS)

ITEM	PART NUMBER	QTY	DESCRIPTION	REV
	1001148663	Ref	4000W GENERATOR INSTALLATION - KUBOTA ENGINE MACHINES 110V/60HZ GENERATOR (ANSI, ANSI EXPORT, CHINA, CSA AND JAPANESE SPECS)	C
1	0100011	AR	Compound, Locking	
2	0641516	3	Bolt 5/16-18 x 2	
3	0641618	1	Bolt 3/8-16 x 2-1/4	
4	0741607	3	Bolt 3/8-16 x 0.88	
5	0760607	1	Bolt M6 x 14	
6	0760812	2	Bolt M8 x 25	
7	0760815	2	Bolt M8 x 35	
8	0902888	1	Bracket, Generator Junction Box	
9	0962520	1	Bushing, Split Taper	
10	1705387	3	Decal - Hazardous Voltage	
11	2820031	AR	Heat Shrink	
12	3251102	1	Nameplate, Generator	
13	3251243	1	Decal - 120V/60Hz	
14	3290505	2	Nut M5	
15	3311005	4	Nut #10-24	
16	3311508	3	Nut #5/16-18	
17	3580317	1	Pulley, Belt Tensioner	
18	3580318	1	Pulley, Generator - 60Hz	
19	3931016	4	Bolt #10-24 x 1	
20	4060802	1	Guard, Switch	
21	4360336	1	Switch, Toggle	
22	4711600	1	Washer 3/8	
23	4740397	1	Washer	
24	4751000	4	Washer #10	
25	4751500	3	Washer #5/16	
26	4791400	2	Washer 1/4	
27	4811600	2	Washer M5	
28	4811900	2	Washer M8	
29	4812000	3	Washer M10	
30	4922641	1	Harness, On/Off Switch	
31	5240800	2	Washer M8	
32	1001119929	3	Bolt M10 x 35	
33	1001153814	1	Belt, 4000W - 60Hz	
34	1001147233	1	Pulley	
35	1001147234	1	Mount, Generator Tensioner	
36	1001147431	1	4000W Control Box Installation	
37	1001147436	1	Generator 4000W - 60Hz	
37	70003709	1	Ring, Retaining - External (Shaft End)	
37	70003708	1	Ring, Retaining - Internal (Shaft End)	
37	70001966	1	Bearing (Shaft End)	
37	70004092	1	Endbell (Shaft End)	
37	70004099	1	Key, Shaft	
37	70004676	1	Rottor/Shaft Assembly	
37	70004691	1	Stator	
37	70004678	1	Endbell (Enclosure End)	
37	70004679	1	Cover, Endbell (Enclosure End)	

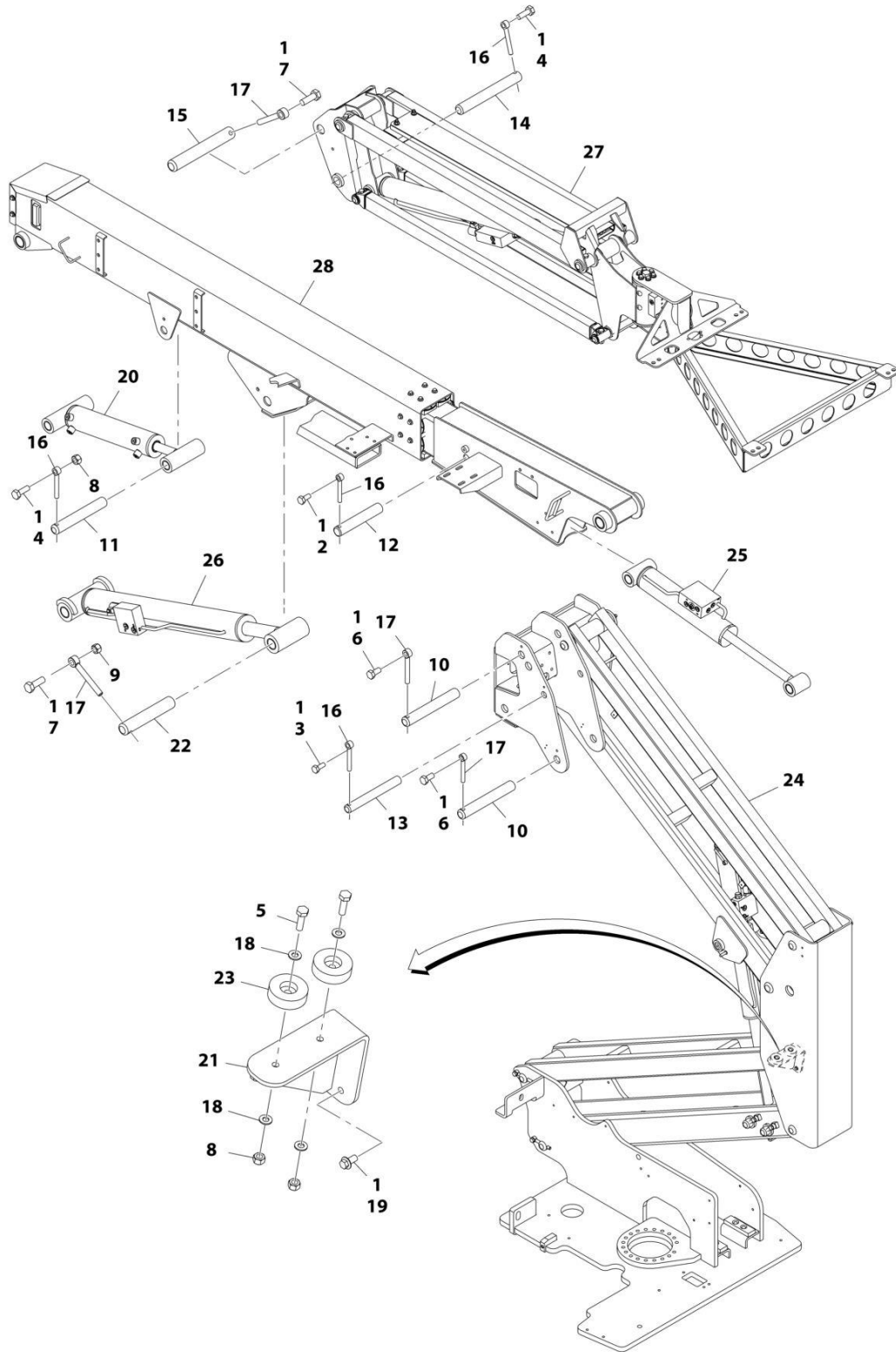
SECTION 3 - ENGINE

ITEM	PART NUMBER	QTY	DESCRIPTION	REV
37	70004689	1	Enclosure, Wiring	
37	70004692	1	Cover, Enclosure	
37	70004682	1	Switch, On/Off/Reset	
37	70004098	1	Connector, Strain Relief	
38	1001152457	1	Box, Junction Assembly	
39	1001157915	1	Harness, 4000W Generator	
40	1001157916	1	Harness, Generator (See ELECTRICAL SECTION for Breakdown)	
41	1001110873	1	Cover	
42	4460346	1	Receptacle	
43	3910606	4	Bolt 6-32 x 3/8	
44	4460071	1	Connector	
45	3960422	1	Gasket	
46	0860038	1	Box, Switch-Weatherhead	
47	0100020	AR	Sealant, Pipe	

SECTION 4 - BOOM

SECTION 4 - BOOM

FIGURE 4-1. BOOM AND CYLINDERS INSTALLATION - WITHOUT ARCTIC PACKAGE



ART_1001115766

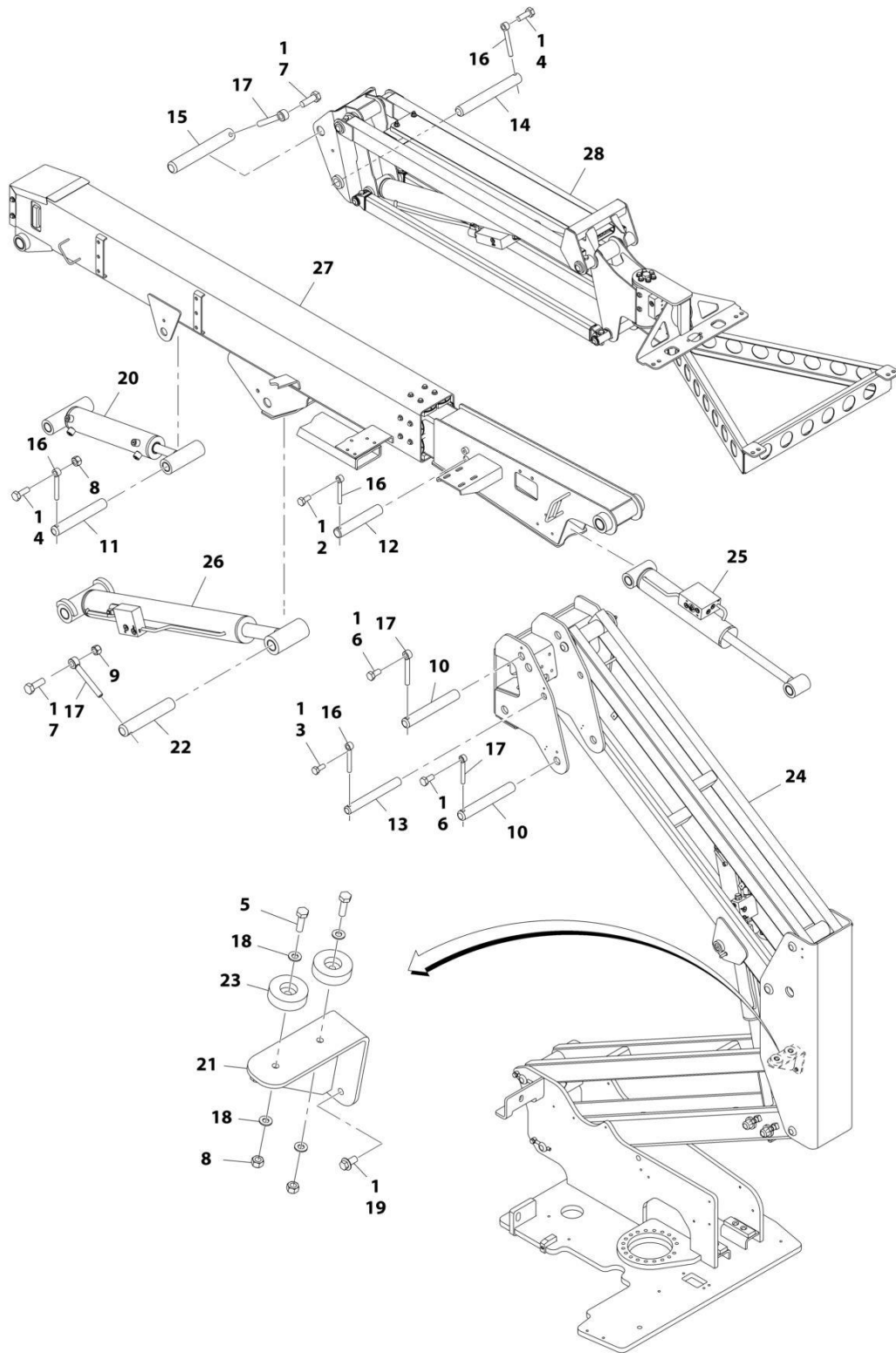
SECTION 4 - BOOM

FIGURE 4-1. BOOM AND CYLINDERS INSTALLATION - WITHOUT ARCTIC PACKAGE

ITEM	PART NUMBER	QTY	DESCRIPTION	REV
	1001115766	Ref	BOOM AND CYLINDERS INSTALLATION - WITHOUT ARCTIC PACKAGE	D
1	0100011	AR	Compound, Locking	
2	0761011	1	Bolt M10 x 22	
3	0761012	1	Bolt M10 x 25	
4	0761014	2	Bolt M10 x 30	
5	0761015	2	Bolt M10 x 35	
6	0761212	2	Bolt M12 x 25	
7	0761215	2	Bolt M12 x 35	
8	3291005	3	Nut M10	
9	3291205	1	Nut M12	
10	3422576	2	Pin	
11	3422582	1	Pin	
12	3422709	1	Pin	
13	3422790	1	Pin	
14	3422792	1	Pin	
15	3422814	1	Pin	
16	3841143	4	Keeper, Pin	
17	3841203	4	Keeper, Pin	
18	4812000	4	Washer M10	
19	5251010	3	Bolt M10 x 20	
20	1001120976	1	Master Cylinder Assembly (See CYLINDER SECTION for Breakdown)	
21	1001125235	1	Rest, Boom	
22	1001109528	1	Pin	
23	1001112607	2	Pad, Boom Rest	
24	1001115672	1	Tower Boom Assembly (See TOWER BOOM ASSEMBLY for Breakdown)	
25	1001117375	1	Level Cylinder Assembly - Platform (Slave) (See CYLINDER SECTION for Breakdown) (Prior to SN 0300238046)	
25	1001225990	1	Level Cylinder Assembly - Platform (Slave) (See CYLINDER SECTION for Breakdown) (SN 0300238046 to Present)	
26	1001117640	1	Lift Cylinder Assembly - Main Boom (See CYLINDER SECTION for Breakdown)	
27	1001117884	1	Jib Assembly (See JIB ASSEMBLY - WITHOUT ARCTIC PACKAGE for Breakdown)	
28	1001117885	1	Main Boom Assembly (See MAIN BOOM ASSEMBLY for Breakdown)	

SECTION 4 - BOOM

FIGURE 4-2. BOOM AND CYLINDERS INSTALLATION - WITH ARCTIC PACKAGE



ART_1001119371

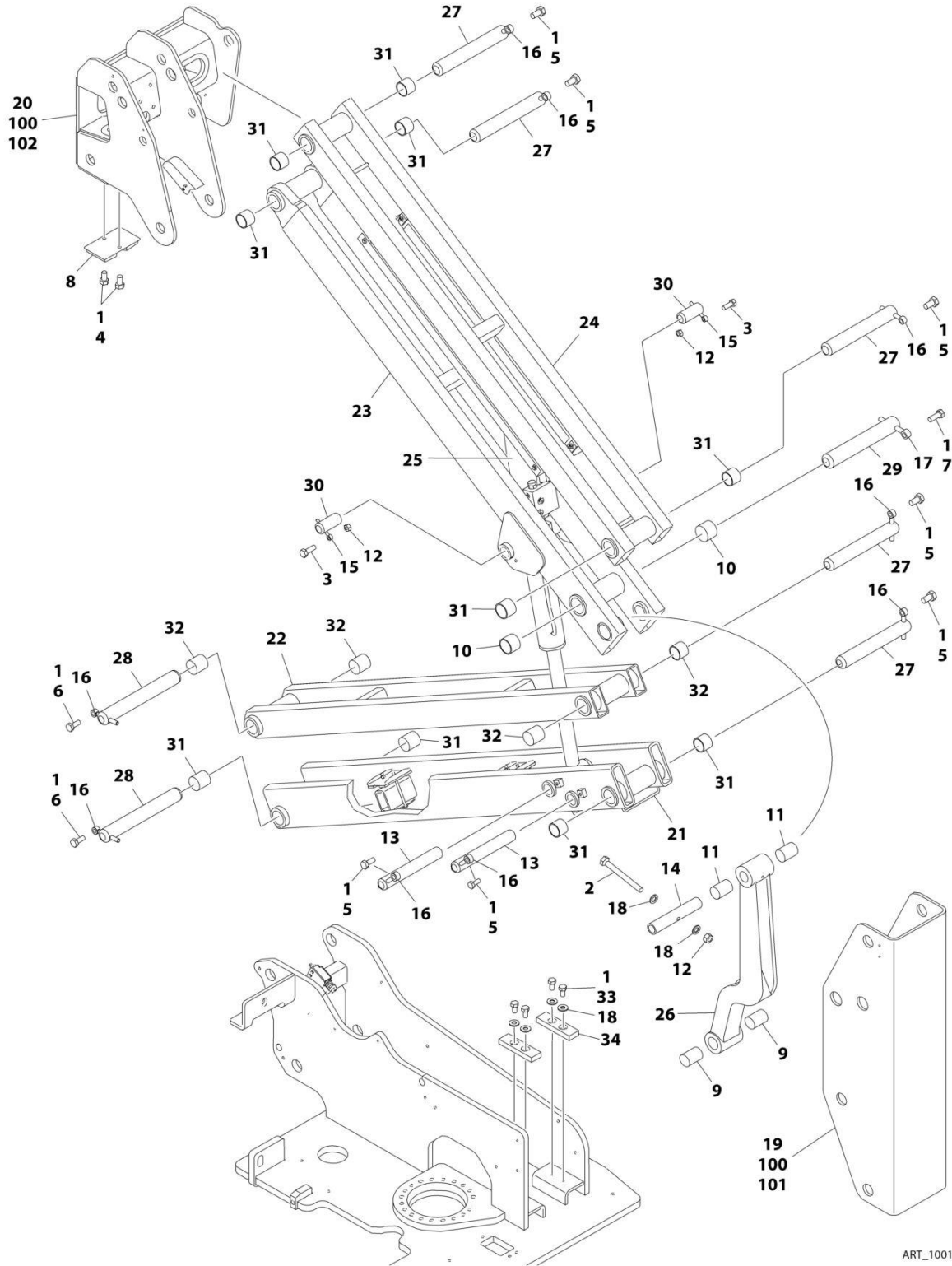
SECTION 4 - BOOM

FIGURE 4-2. BOOM AND CYLINDERS INSTALLATION - WITH ARCTIC PACKAGE

ITEM	PART NUMBER	QTY	DESCRIPTION	REV
	1001119371	Ref	BOOM AND CYLINDERS INSTALLATION - WITH ARCTIC PACKAGE	D
1	0100011	AR	Compound, Locking	
2	0761011	1	Bolt M10 x 22	
3	0761012	1	Bolt M10 x 25	
4	0761014	2	Bolt M10 x 30	
5	0761015	2	Bolt M10 x 35	
6	0761212	2	Bolt M12 x 25	
7	0761215	2	Bolt M12 x 35	
8	3291005	3	Nut M10	
9	3291205	1	Nut M12	
10	3422576	2	Pin	
11	3422582	1	Pin	
12	3422709	1	Pin	
13	3422790	1	Pin	
14	3422792	1	Pin	
15	3422814	1	Pin	
16	3841143	4	Keeper, Pin	
17	3841203	4	Keeper, Pin	
18	4812000	4	Washer M10	
19	5251010	3	Bolt M10 x 20	
20	1001120976	1	Master Cylinder Assembly (See CYLINDER SECTION for Breakdown)	
21	1001125235	1	Rest, Boom	
22	1001109528	1	Pin	
23	1001112607	2	Pad, Boom Rest	
24	1001115672	1	Tower Boom Assembly (See TOWER BOOM ASSEMBLY for Breakdown)	
25	1001117375	1	Level Cylinder Assembly - Platform (Slave) (See CYLINDER SECTION for Breakdown) (Prior to SN 0300238046)	
25	1001225990	1	Level Cylinder Assembly - Platform (Slave) (See CYLINDER SECTION for Breakdown) (SN 0300238046 to Present)	
26	1001117640	1	Lift Cylinder Assembly - Main Boom (See CYLINDER SECTION for Breakdown)	
27	1001117885	1	Main Boom Assembly Options (See MAIN BOOM ASSEMBLY for Breakdown)	
28	1001119370	1	Jib Assembly (See JIB ASSEMBLY - WITH ARCTIC PACKAGE for Breakdown)	

SECTION 4 - BOOM

FIGURE 4-3. TOWER BOOM ASSEMBLY



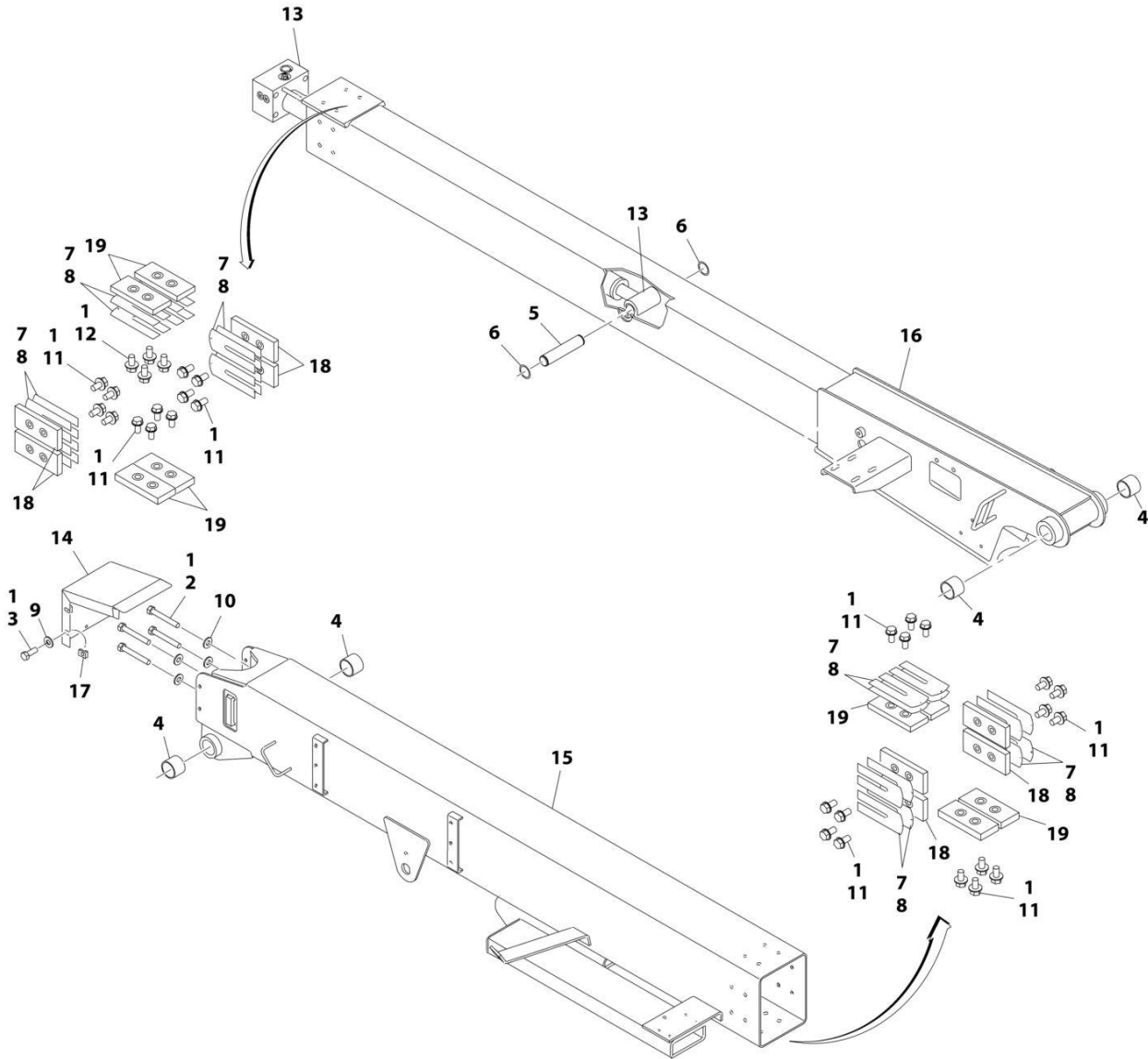
ART_1001115672

FIGURE 4-3. TOWER BOOM ASSEMBLY

ITEM	PART NUMBER	QTY	DESCRIPTION	REV
	1001115672	Ref	TOWER BOOM ASSEMBLY	D
1	0100011	AR	Compound, Locking	
2	0701027	1	Bolt M10 x 100	
3	0761015	2	Bolt M10 x 35	
4	0761210	2	Bolt M12 x 20	
5	0761212	7	Bolt M12 x 25	
6	0761214	2	Bolt M12 x 30	
7	0761615	2	Bolt M16 x 35	
8	0940048	1	Bumper	
9	0961948	2	Bearing	
10	0962224	2	Bearing	
11	0962259	2	Bearing	
12	3291005	3	Nut M10	
13	3422787	2	Pin	
14	3422788	1	Pin	
15	3841143	2	Keeper, Pin	
16	3841203	9	Keeper, Pin	
17	3841258	1	Keeper, Pin	
18	4812000	6	Washer M10	
19	1001115649	1	Upright (Bottom) (SN 0300200802 through 0300234100)	
20	1001115650	1	Upright (Top) (SN 0300200802 through 0300234100)	
21	1001115657	1	Link, Lower Boom (Bottom)	
22	1001115661	1	Link, Lower Boom (Top)	
23	1001115663	1	Link, Mid Boom (Bottom)	
24	1001115669	1	Link, Mid Boom (Top)	
25	1001122527	1	Lift Cylinder Assembly - Tower Boom (See CYLINDER SECTION for Breakdown)	
26	1001115870	1	Link, Timing	
27	1001116546	5	Pin	
28	1001116547	2	Pin	
29	1001116548	1	Pin	
30	1001116549	2	Pin	
31	1001118665	10	Bearing	
32	1001118666	4	Bearing	
33	0761010	4	Bolt M10 x 20	
34	3340758	2	Pad, Wear	
100	1001231153	1	Lower Upright Boom Kit (SN 0300234101 to Present)	
101	1001115649	1	Upright, Lower	
102	1001115650	1	Upright, Upper	

SECTION 4 - BOOM

FIGURE 4-4. MAIN BOOM ASSEMBLY



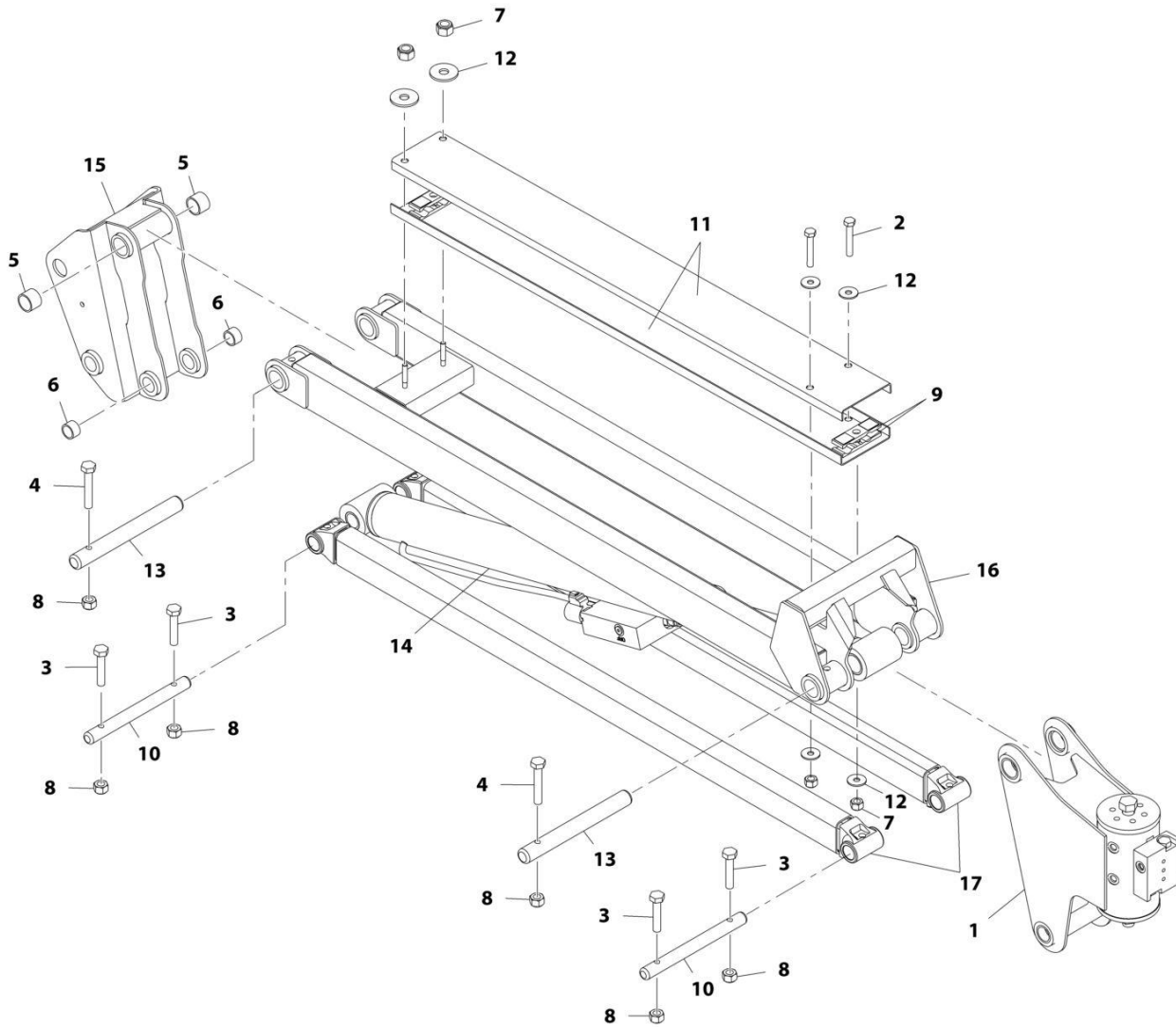
ART_1001117885

FIGURE 4-4. MAIN BOOM ASSEMBLY

ITEM	PART NUMBER	QTY	DESCRIPTION	REV
	1001117885	Ref	MAIN BOOM ASSEMBLY	C
1	0100011	AR	Compound, Locking	
2	0711227	4	Bolt M12 x 100 Grade 10.9	
3	0760812	4	Bolt M8 x 25	
4	0961948	4	Bushing	
5	3422745	1	Pin	
6	3760115	2	Ring, Retaining	
7	4070897	16	Shim 18Ga	
8	4070898	12	Shim 11Ga	
9	4811902	4	Washer M8	
10	5241200	4	Washer M12	
11	5251010	28	Bolt M10 x 20	
12	5251012	4	Bolt M10 x 25	
13	1001120974	1	Telescope Cylinder Assembly (See Separate Breakdown in CYLINDER SECTION)	
14	1001108290	1	Cover, Boom End	
15	1001116876	1	Boom, Base	
16	1001116877	1	Boom, Fly	
17	1001118274	4	Nut, Retainer M8	
18	1001118287	8	Pad, Wear	
19	1001118288	8	Pad, Wear	

SECTION 4 - BOOM

FIGURE 4-5. JIB ASSEMBLY - WITHOUT ARCTIC PACKAGE



ART_1001117884

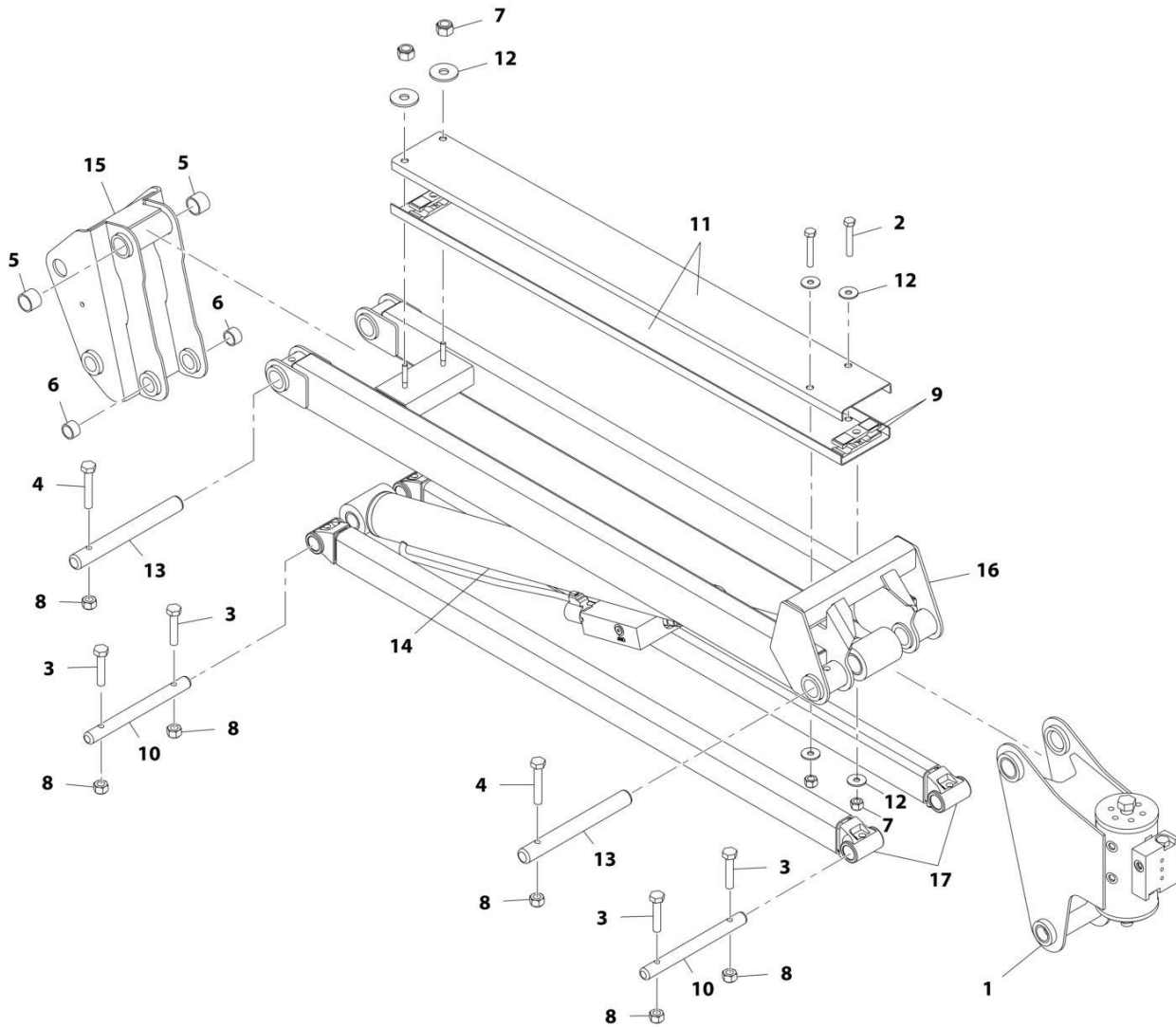
SECTION 4 - BOOM

FIGURE 4-5. JIB ASSEMBLY - WITHOUT ARCTIC PACKAGE

ITEM	PART NUMBER	QTY	DESCRIPTION	REV
	1001117884	Ref	JIB ASSEMBLY - WITHOUT ARCTIC PACKAGE	C
1	0060044	1	Platform Rotator Assembly (See PLATFORM ROTATOR ASSEMBLY - WITHOUT ARCTIC PACKAGE for Breakdown)	
2	0700818	2	Bolt M8 x 50	
3	0701018	4	Bolt M10 x 50	
4	0701020	2	Bolt M10 x 60	
5	0961951	2	Bushing	
6	0962292	2	Bushing	
7	3290805	4	Nut M8	
8	3291005	6	Nut M10	
9	3340860	4	Pad, Rubber	
10	3422791	2	Pin	
11	3572551	2	Channel, Hose Carrier	
12	4811902	6	Washer M8	
13	1001116550	2	Pin	
14	1001123004	1	Lift Cylinder Assembly - Jib (See CYLINDER SECTION for Breakdown)	
15	1001118394	1	Pivot, Jib	
16	1001118482	1	Link, Jib (Top)	
17	1001118516	2	Link, Jib (Bottom) (SN 0300200802 through 0300215034)	
17	1001094670	2	Link, Jib (Bottom) (SN 0300215035 to Present)	

SECTION 4 - BOOM

FIGURE 4-6. JIB ASSEMBLY - WITH ARCTIC PACKAGE



ART_1001119370

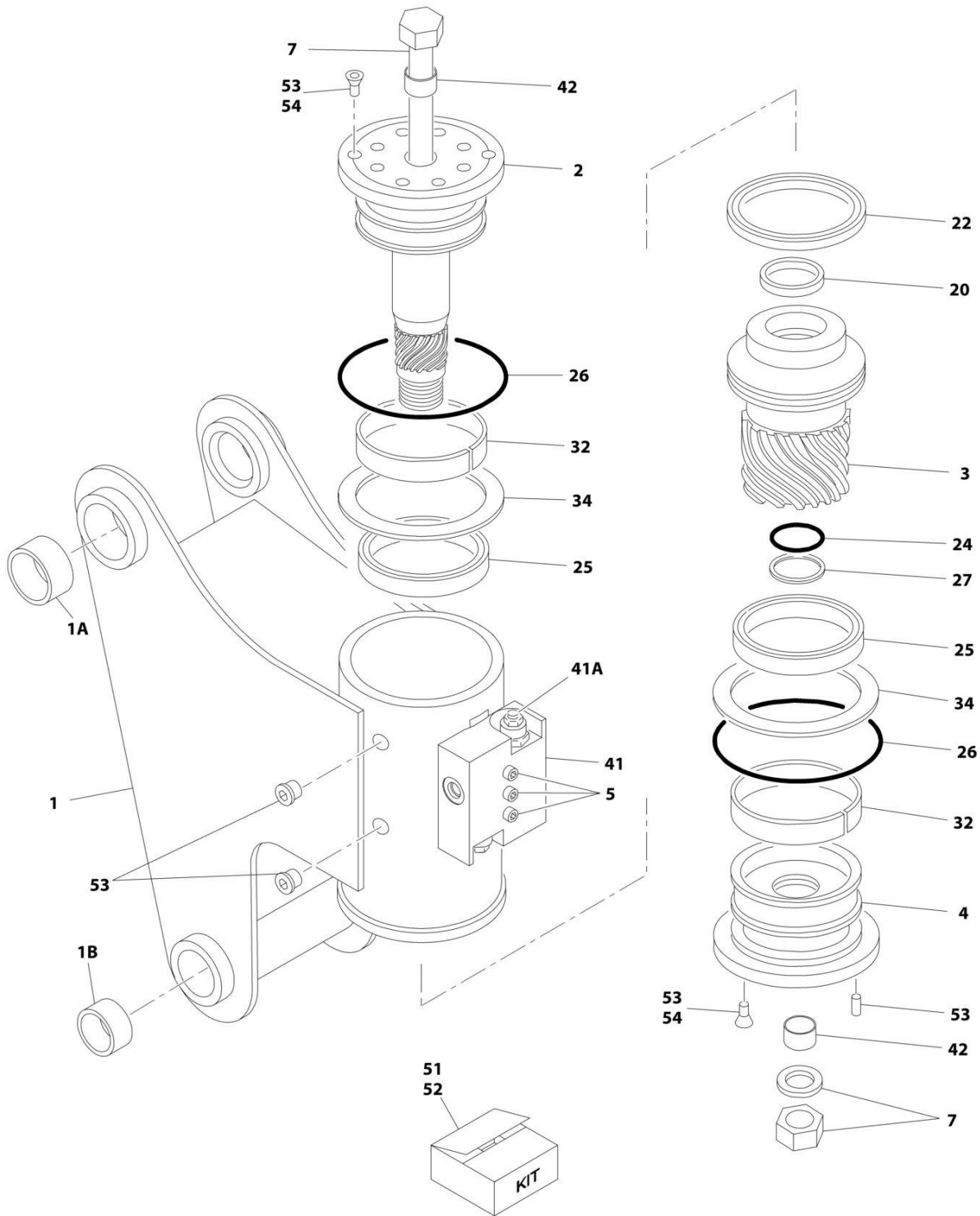
SECTION 4 - BOOM

FIGURE 4-6. JIB ASSEMBLY - WITH ARCTIC PACKAGE

ITEM	PART NUMBER	QTY	DESCRIPTION	REV
	1001119370	Ref	JIB ASSEMBLY - WITH ARCTIC PACKAGE	C
1	1001119369	1	Platform Rotator Assembly (See PLATFORM ROTATOR ASSEMBLY - WITH ARCTIC PACKAGE for Breakdown)	
2	0700818	2	Bolt M8 x 50	
3	0701018	4	Bolt M10 x 50	
4	0701020	2	Bolt M10 x 60	
5	0961951	2	Bushing	
6	0962292	2	Bushing	
7	3290805	4	Nut M8	
8	3291005	6	Nut M10	
9	3340860	4	Pad, Rubber	
10	3422791	2	Pin	
11	3572551	2	Channel, Hose Carrier	
12	4811902	6	Washer M8	
13	1001116550	2	Pin	
14	1001123004	1	Lift Cylinder Assembly - Jib (See CYLINDER SECTION for Breakdown)	
15	1001118394	1	Pivot, Jib	
16	1001118482	1	Link, Jib (Top)	
17	1001118516	2	Link, Jib (Bottom) (SN 0300200802 through 0300215034)	
17	1001094670	2	Link, Jib (Bottom) (SN 0300215035 to Present)	

SECTION 4 - BOOM

FIGURE 4-7. PLATFORM ROTATOR ASSEMBLY - WITHOUT ARCTIC PACKAGE



ART_0060044

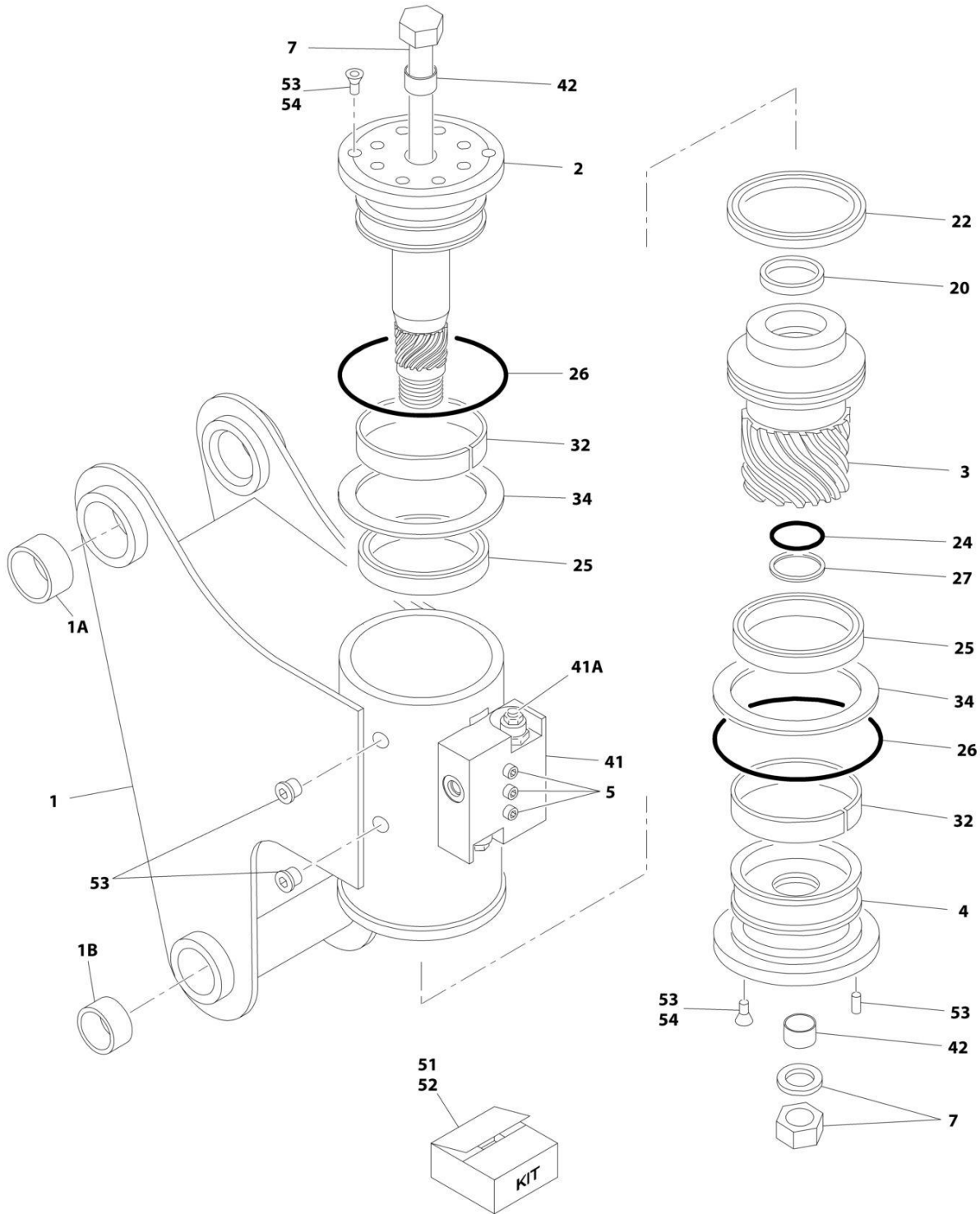
SECTION 4 - BOOM

FIGURE 4-7. PLATFORM ROTATOR ASSEMBLY - WITHOUT ARCTIC PACKAGE

ITEM	PART NUMBER	QTY	DESCRIPTION	REV
	0060044	Ref	PLATFORM ROTATOR ASSEMBLY - WITHOUT ARCTIC PACKAGE	D
1	See Note	1	Case/Bracket Weldment (Note: Not Available - Purchase Complete Assembly)	
1A	0962257	2	Bushing	
1B	0961947	2	Bushing	
2	7017120	1	Shaft (Rotator with Helac Control #25928)	
2	7017196	1	Shaft (Rotator with Helac Control #26962)	
3	7017121	1	Piston Sleeve (Rotator with Helac Control #25928)	
3	7027900	1	Piston Sleeve (Rotator with Helac Control #26962)	
4	See Note	1	Cap, End (Rotator with Helac Control #25928) (Note: Use p/n 0060044)	
4	7027901	1	Cap, End (Rotator with Helac Control #26962)	
5	See Note	NSS	Capscrew, 1/4 x 1-1/2 Grade 8 (Note: Not Available - Purchase Locally)	
7	7017126	1	Tie Rod Assembly	
20	See Note	NSS	Seal, Rod (Note: Use Item 52)	
22	See Note	NSS	Seal, Piston (Note: Use Item 52)	
24	See Note	NSS	Seal, Cap (Note: Use Item 52)	
25	See Note	NSS	Packing, Bearing (Note: Use Item 52)	
26	See Note	NSS	Seal (Note: Use Item 52)	
27	See Note	NSS	Ring, Back-up Cap (Note: Use Item 52)	
32	See Note	NSS	Bearing, Shaft (Note: Use Item 51)	
34	See Note	NSS	Washer, Thrust (Note: Use Item 51)	
41	7017172	1	Counterbalance Valve Assembly (Helac p/n 24327, 26553 or 26554 Stamped Beside Mounting Screws)	
41A	7011323	2	Valve, Cartridge (Helac p/n 24327 Valve)	
41A	2900770	2	Seal Kit - 7011323 Cartridge (1 Per Assembly)	
41A	7017192	2	Valve Cartridge (Helac p/n 26553 or 26554) (No Seal Kit Available)	
42	70004323	2	Bushing, Shaft	
51	7017122	1	Bearing Kit (Includes Items 32-34)	
52	7017127	1	Seal Kit - Standard (Includes Items 20, 22, 24, 25, 26 & 27)	
52	70000341	1	Seal Kit - Low Temperature (Includes Items 20, 22, 24, 25, 26 & 27)	
53	7017123	1	Hardware Kit	
54	70001697	4	Screw 1/4-20 x 3/8 Grade 8	

SECTION 4 - BOOM

FIGURE 4-8. PLATFORM ROTATOR ASSEMBLY - WITH ARCTIC PACKAGE



ART_1001119369

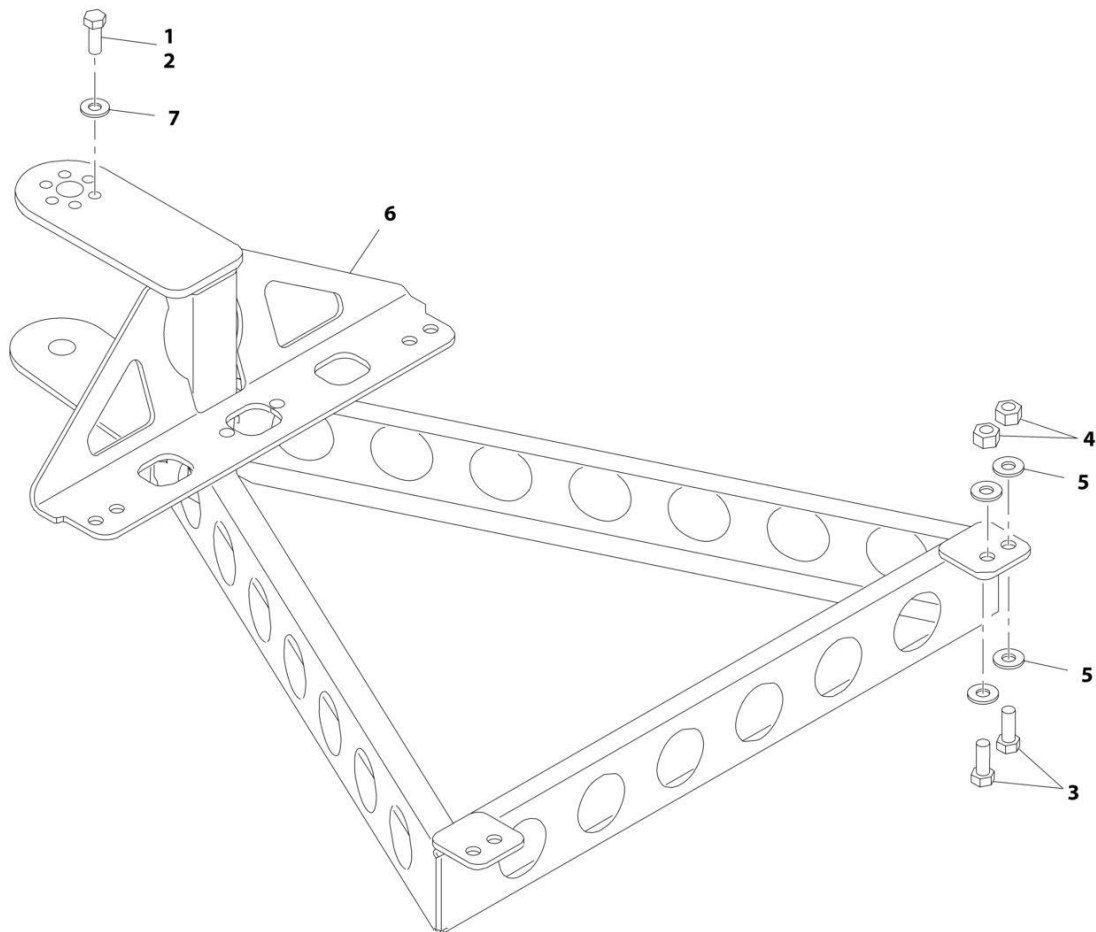
SECTION 4 - BOOM

FIGURE 4-8. PLATFORM ROTATOR ASSEMBLY - WITH ARCTIC PACKAGE

ITEM	PART NUMBER	QTY	DESCRIPTION	REV
	1001119369	Ref	PLATFORM ROTATOR ASSEMBLY - WITH ARCTIC PACKAGE	B
1	See Note	1	Case/Bracket Weldment (Note: Not Available - Purchase Complete Assembly)	
1A	0962257	2	Bushing	
1B	0961947	2	Bushing	
2	7017196	1	Shaft	
3	7027900	1	Piston Sleeve	
4	7027901	1	Cap, End	
5	See Note	NSS	Capscrew, 1/4 x 1-1/2 Grade 8 (Note: Not Available - Purchase Locally)	
7	7017126	1	Tie Rod Assembly	
20	See Note	NSS	Seal, Rod (Note: Use Item 52)	
22	See Note	NSS	Seal, Piston (Note: Use Item 52)	
24	See Note	NSS	Seal, Cap (Note: Use Item 52)	
25	See Note	NSS	Packing, Bearing (Note: Use Item 52)	
26	See Note	NSS	Seal (Note: Use Item 52)	
27	See Note	NSS	Ring, Back-up Cap (Note: Use Item 52)	
32	See Note	NSS	Bearing, Shaft (Note: Use Item 51)	
34	See Note	NSS	Washer, Thrust (Note: Use Item 51)	
41	7017172	1	Counterbalance Valve Assembly	
41A	7017192	2	Valve Cartridge (No Seal Kit Available)	
42	70004323	2	Bushing, Shaft	
51	7017122	1	Bearing Kit (Includes Items 32-34)	
52	70004322	1	Seal Kit (Includes Items 20, 22, 24, 25, 26 & 27)	
53	7017123	1	Hardware Kit	
54	70001697	4	Screw 1/4-20 x 3/8 Grade 8	

SECTION 4 - BOOM

FIGURE 4-9. PLATFORM SUPPORT INSTALLATION - WITHOUT LSS



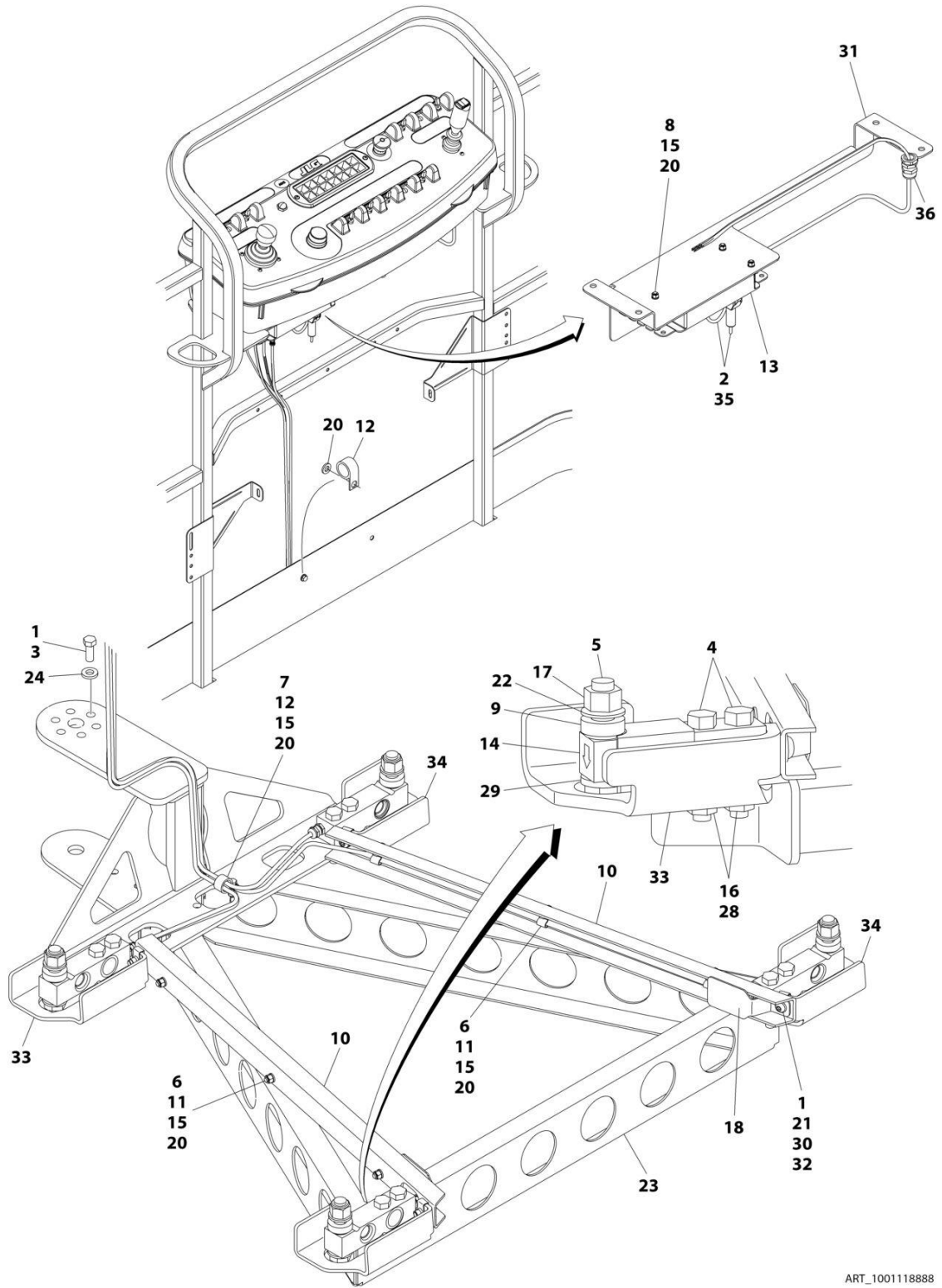
ART_1001115834

FIGURE 4-9. PLATFORM SUPPORT INSTALLATION - WITHOUT LSS

ITEM	PART NUMBER	QTY	DESCRIPTION	REV
	1001115834	Ref	PLATFORM SUPPORT INSTALLATION - WITHOUT LSS	B
1	0100011	AR	Compound, Locking	
2	0681608	6	Bolt 3/8-16 x 1 Grade 8	
3	0761015	8	Bolt M10 x 35 (Prior to SN 0300239703)	
3	0761215	8	Bolt M12 x 35 (SN 0300239703 to Present)	
4	3291005	8	Nut M10 (Prior to SN 0300239703)	
4	3291205	8	Nut M12 (SN 0300239703 to Present)	
5	4812000	16	Washer M10 (Prior to SN 0300239703)	
5	5241200	16	Washer M12 (SN 0300239703 to Present)	
6	4846608	1	Support, Platform	
7	4891600	6	Washer 3/8	

SECTION 4 - BOOM

FIGURE 4-10. PLATFORM SUPPORT INSTALLATION - WITH 4 CELL LSS



ART_100118888

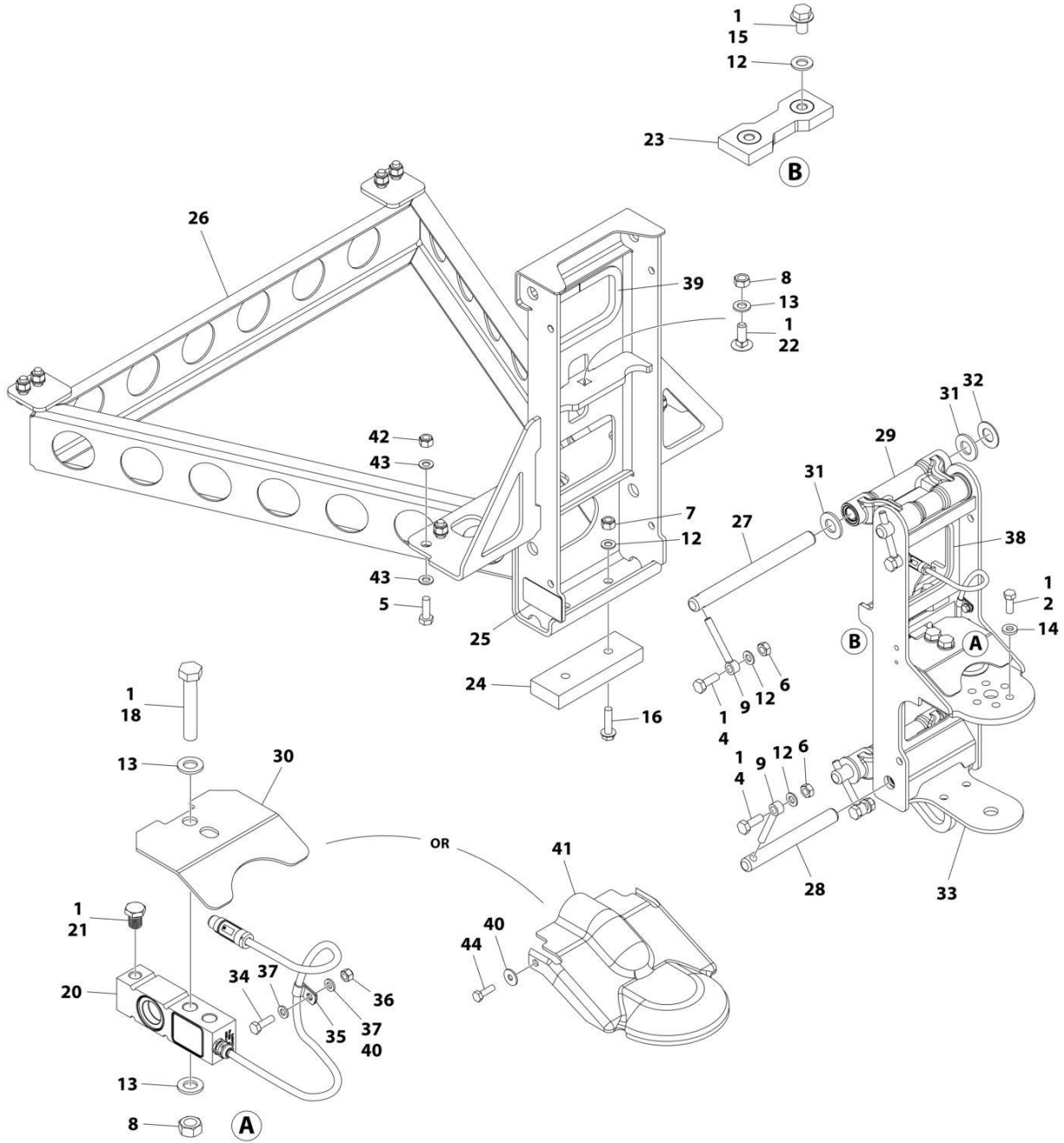
SECTION 4 - BOOM

FIGURE 4-10. PLATFORM SUPPORT INSTALLATION - WITH 4 CELL LSS

ITEM	PART NUMBER	QTY	DESCRIPTION	REV
	1001118888	Ref	PLATFORM SUPPORT INSTALLATION - WITH 4 CELL LSS	D
1	0100011	AR	Compound, Locking	
2	0100048	AR	Grease, Dielectric	
3	0681608	6	Bolt 3/8 x 1	
4	0701222	8	Bolt M12 x 70	
5	0701624	4	Bolt M16 x 80	
6	0760608	6	Bolt M6 x 16	
7	0760610	1	Bolt M6 x 20	
8	0760618	3	Bolt M6 x 50	
9	0962450	4	Bushing, Spacer	
10	1271538	2	Channel	
11	1320136	6	Clamp	
12	1320224	2	Clamp	
13	1600387	1	Electronic Interface Module	
14	2420202	4	Load Cell Assembly	
15	3272605	10	Nut 1	
16	3291205	8	Nut M12	
17	3291605	4	Nut M16	
18	4061054	2	Shield	
19	4240033	AR	Tie-Strap (Not Shown)	
20	4811700	15	Washer M6	
21	4811900	4	Washer M8	
22	4812300	4	Washer M16	
23	4846608	1	Platform Support	
24	4891600	6	Washer 3/8	
28	5241200	8	Washer M12	
29	5241600	4	Washer M16	
30	8310643	4	Screw M8 x 25	
31	1001113483	1	Bracket, Module Mount	
32	1001118274	4	Nut M8	
33	1001118909	2	Bracket, Cell Guard	
34	1001118910	2	Bracket, Cell Guard	
35	1001120371	1	Harness	
36	4460428	1	Connector, Strain Relief	

SECTION 4 - BOOM

FIGURE 4-11. PLATFORM SUPPORT INSTALLATION - WITH 1 CELL LSS



ART_1001217227

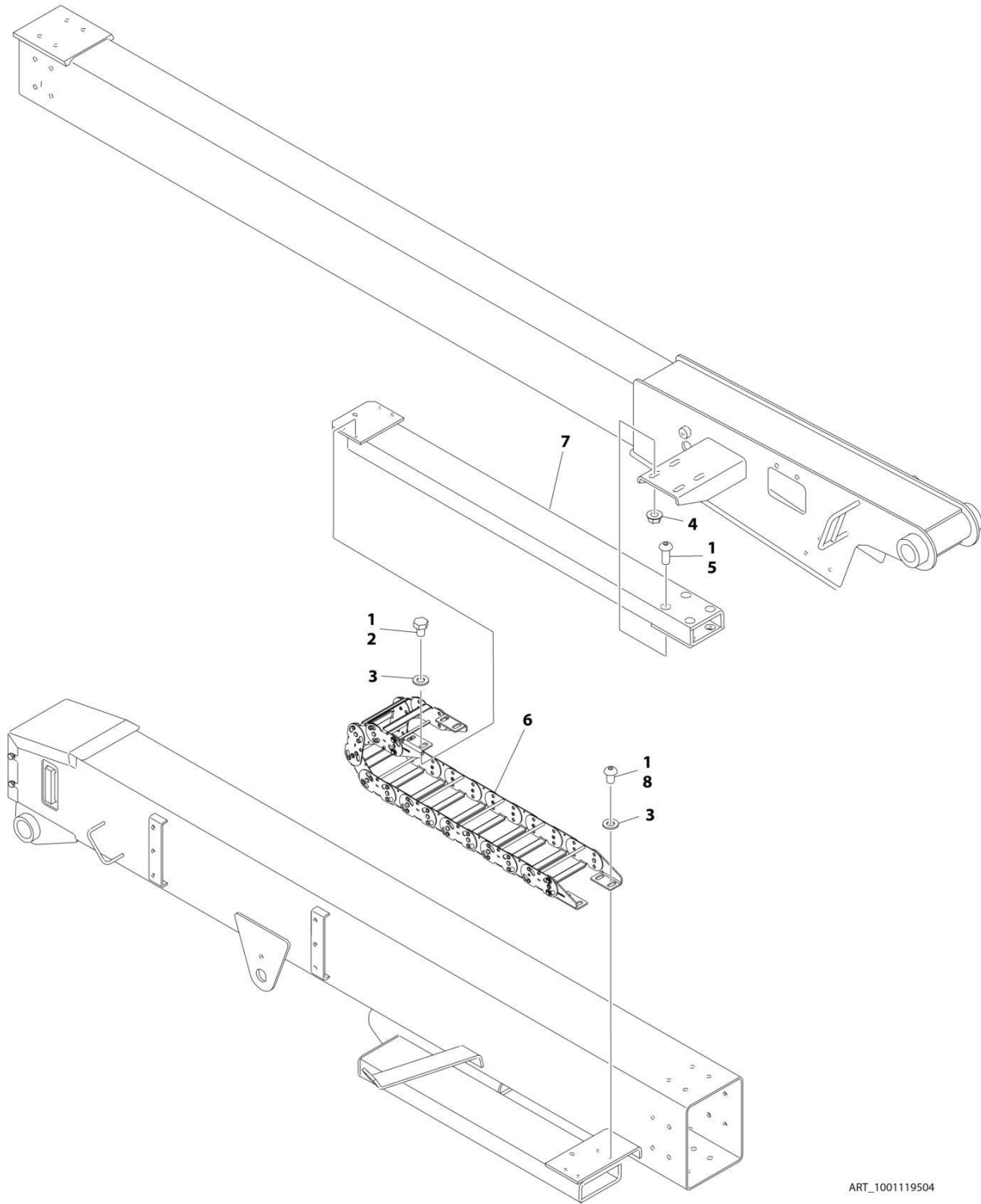
SECTION 4 - BOOM

FIGURE 4-11. PLATFORM SUPPORT INSTALLATION - WITH 1 CELL LSS

ITEM	PART NUMBER	QTY	DESCRIPTION	REV
	1001217227	Ref	PLATFORM SUPPORT INSTALLATION - WITH 1 CELL LSS	E
1	0100011	AR	Compound, Locking	
2	0681608	6	Bolt 3/8 x 1	
4	0761014	4	Bolt M10 x 30	
5	0761015	8	Bolt M10 x 35 (Prior to SN 0300239703)	
5	0761215	8	Bolt M12 x 35 (SN 0300239703 to Present)	
6	3291001	4	Nut M10	
7	3291005	AR	Nut M10	
8	3291201	3	Nut M12	
9	3841143	4	Keeper, Pin	
12	4812000	AR	Washer M10	
13	4812100	5	Washer M12	
14	4891600	6	Washer 3/8	
15	5251008	2	Bolt M10 x 16	
16	5251016	2	Bolt M10 x 40	
18	1001098828	2	Bolt M12 x 70 Grade 10.9	
20	1001172663	1	Gauge, Load Sensing	
21	1001188622	1	Screw	
22	1001188844	1	Bolt M12 x 35	
23	1001190985	1	Pad, Wear	
24	1001200491	1	Pad, Wear	
25	1001216630	2	Decal - Tie Down/No Lift	
26	1001217228	1	Platform Support	
27	1001217242	2	Pin	
28	1001217243	2	Pin	
29	1001217244	2	Link	
30	1001217250	1	Plate (SN 0300200802 through 0300235537)	
31	1001217253	8	Bearing, Thrust	
32	1001217254	4	Bearing, Thrust	
33	1001217267	1	Support	
34	0760610	AR	Bolt M6 x 20	
35	1320136	1	Clamp	
36	3290605	1	Nut M6	
37	4811700	2	Washer M6 (SN 0300200802 through 0300235537)	
38	4060804	14.4 in/ 36.5cm	Shield	
39	4060805	15.9 in/ 40.5 cm	Shield	
40	4811702	3	Washer M6 (SN 0300235538 to Present)	
41	1001228627	1	Cover (SN 0300235538 to Present)	
42	3291205	AR	Nut M12 (SN 0300239703 to Present)	
43	5241200	AR	Washer M12 (SN 0300239703 to Present)	
44	0760606	AR	Bolt M6 x 12 (SN 0300239703 to Present)	

SECTION 4 - BOOM

FIGURE 4-12. POWER TRACK INSTALLATION



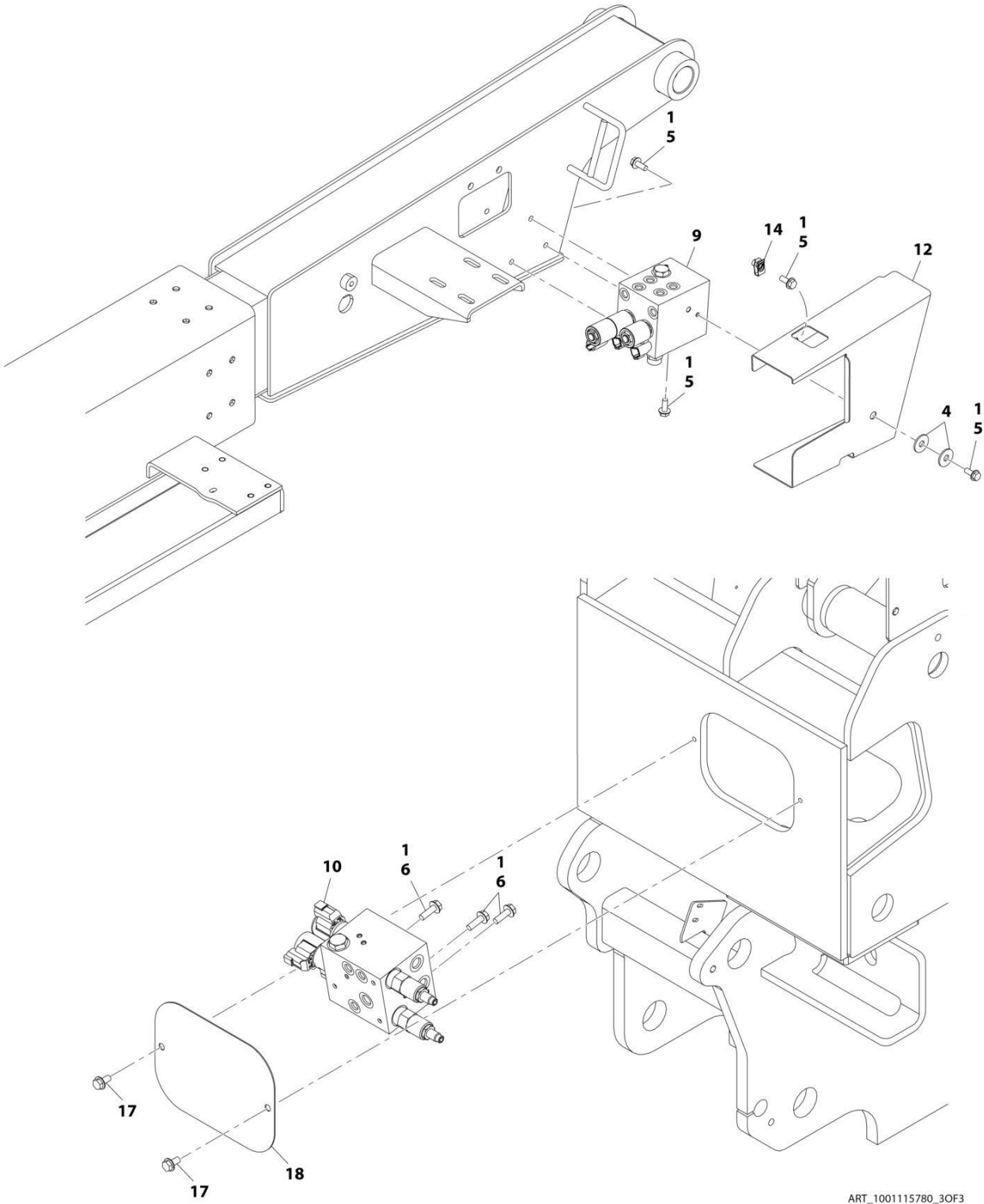
ART_1001119504

FIGURE 4-12. POWER TRACK INSTALLATION

ITEM	PART NUMBER	QTY	DESCRIPTION	REV
	1001119504	Ref	POWER TRACK INSTALLATION	C
1	0100011	AR	Compound, Locking	
2	0761007	4	Bolt M10 x 14	
3	4812000	8	Washer M10	
4	5221000	4	Nut M10 Grade 10.9	
5	8310668	4	Screw M10 x 25 Grade 10.9	
6	1001099834	1	Carrier, Power Track (Prior to SN 0300230169)	
6	70001996	1	Repair Kit (Includes 4 Link Section of Track)	
6	70001998	1	Bracket Kit (Includes 4 Mounting Feet and Hardware to Attach to Track)	
6	1001224891	1	Carrier, Power Track (SN 0300230169 to Present)	
6	70006269	1	Repair Kit (Includes 10 Link Section of Track)	
6	70006280	1	Bracket Kit (Includes 4 Mounting Feet and Hardware to Attach to Track)	
7	1001119513	1	Tube, Support	
8	1001119527	4	Screw M10 x 16	

SECTION 4 - BOOM

FIGURE 4-13. CONTROL VALVES INSTALLATION - BOOM



ART_1001115780_30F3

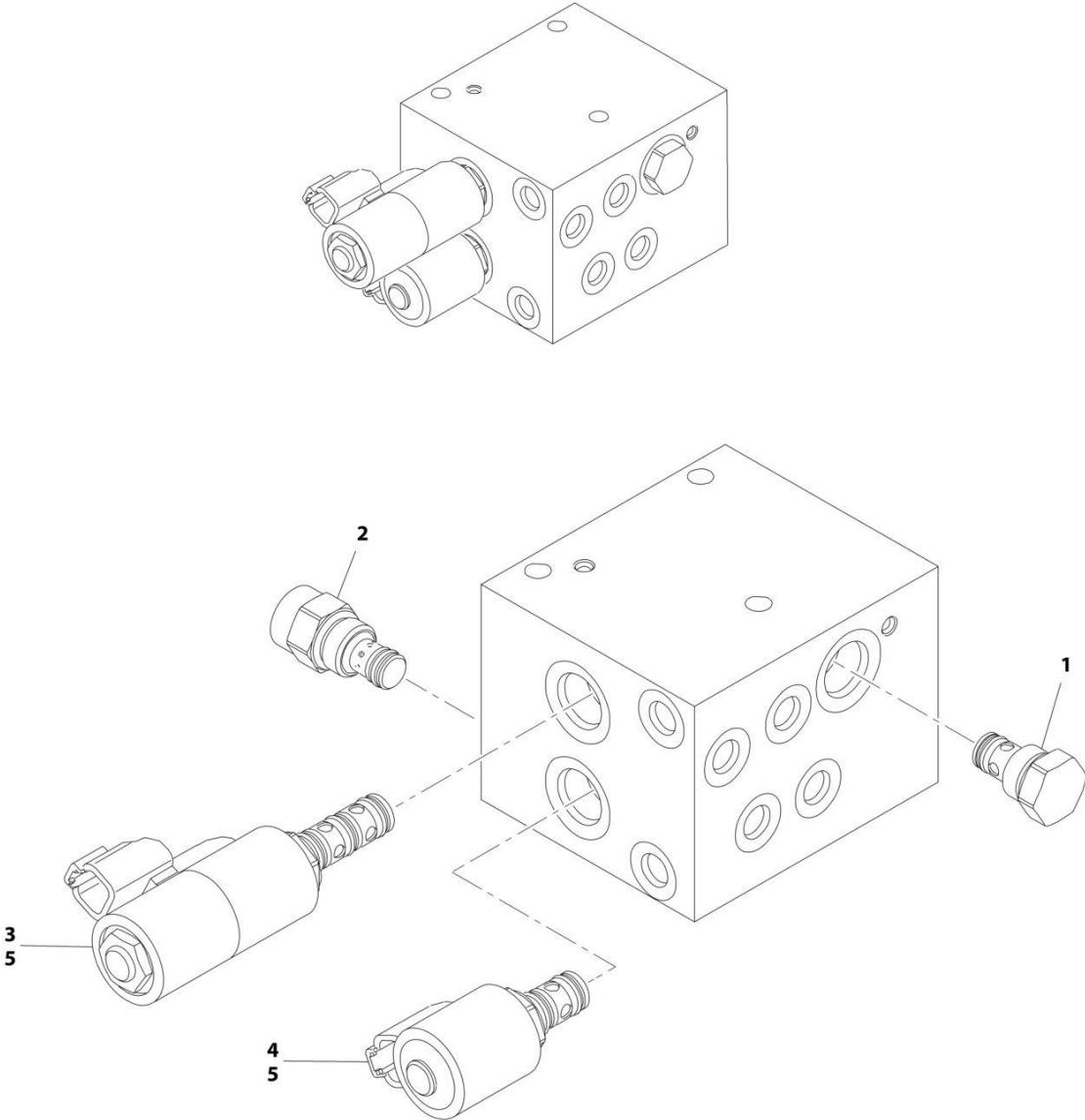
SECTION 4 - BOOM

FIGURE 4-13. CONTROL VALVES INSTALLATION - BOOM

ITEM	PART NUMBER	QTY	DESCRIPTION	REV
	1001115780	Ref	CONTROL VALVES INSTALLATION - BOOM	G
1	0100011	AR	Compound, Locking	
4	4812002	2	Washer M10	
5	5250810	10	Bolt M8 x 20	
6	5250812	3	Bolt M8 x 25	
9	1001116228	1	Fly Boom Valve Assembly (See FLY BOOM VALVE ASSEMBLY for Breakdown)	
10	1001136244	1	Boom Upright Valve Assembly (See BOOM UPRIGHT VALVE ASSEMBLY for Breakdown)	
12	1001116835	1	Shield	
14	1001118274	1	Nut M8	
17	5250808	2	Bolt M8 x 16	
18	1001118595	1	Cover	

SECTION 4 - BOOM

FIGURE 4-14. FLY BOOM VALVE ASSEMBLY



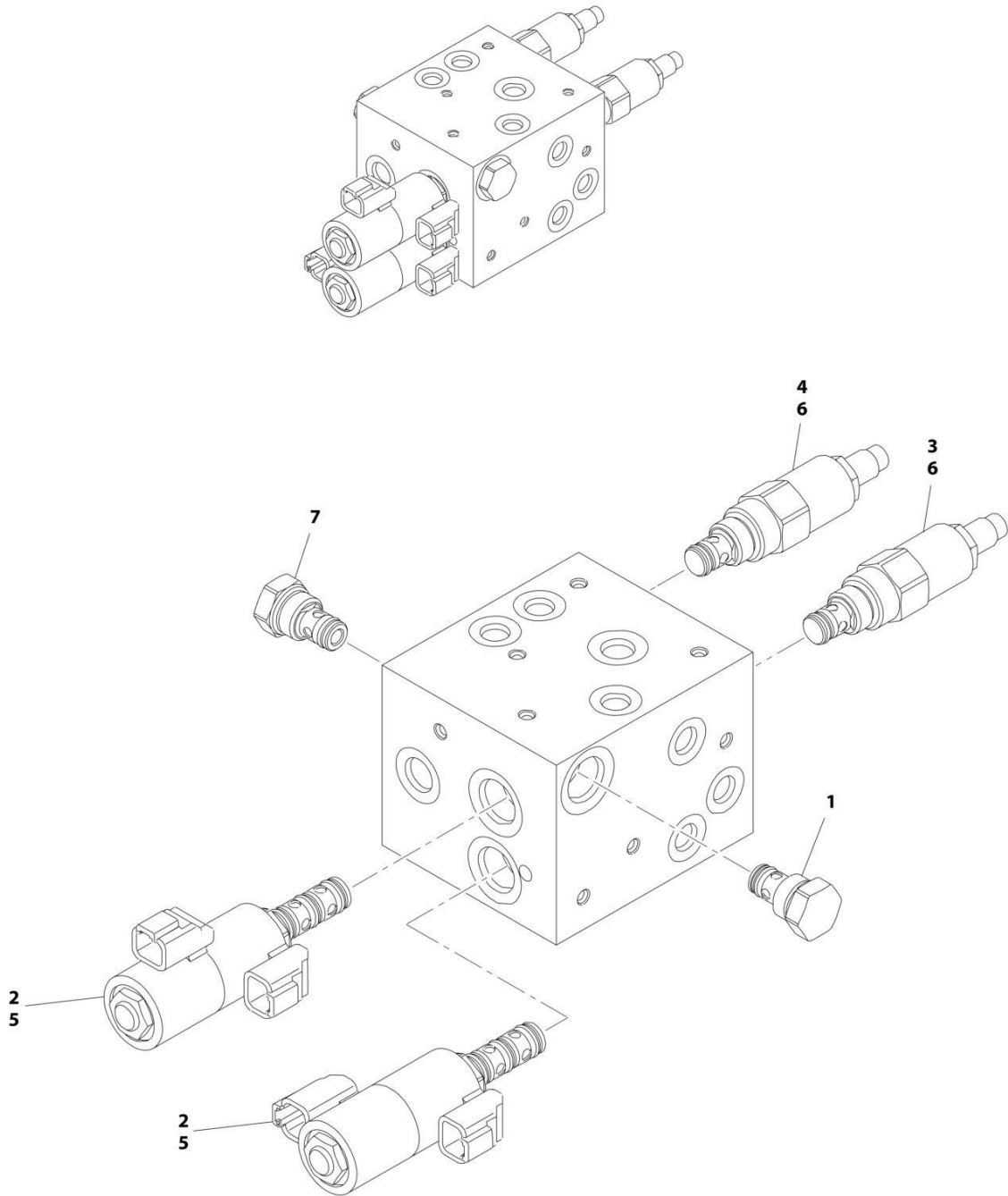
ART_1001116228

FIGURE 4-14. FLY BOOM VALVE ASSEMBLY

ITEM	PART NUMBER	QTY	DESCRIPTION	REV
	1001116228	Ref	FLY BOOM VALVE ASSEMBLY	D
1	7012955	1	Cartridge, Check Valve	
1	7012967	1	Seal Kit - 7012955 Cartridge	
2	7023970	1	Cartridge, Flow Regulator	
2	7012953	1	Seal Kit - 7023970 Cartridge	
3	7017452	1	Cartridge, Solenoid Valve (without Coil) (Rotate)	
3	7017402	1	Seal Kit - 7017452 Cartridge	
4	7012941	1	Cartridge, Solenoid Valve (without Coil) (Jib)	
4	7010543	1	Seal Kit - 7012941 Cartridge	
5	70002386	3	Coil	

SECTION 4 - BOOM

FIGURE 4-15. BOOM UPRIGHT VALVE ASSEMBLY



ART_1001136244

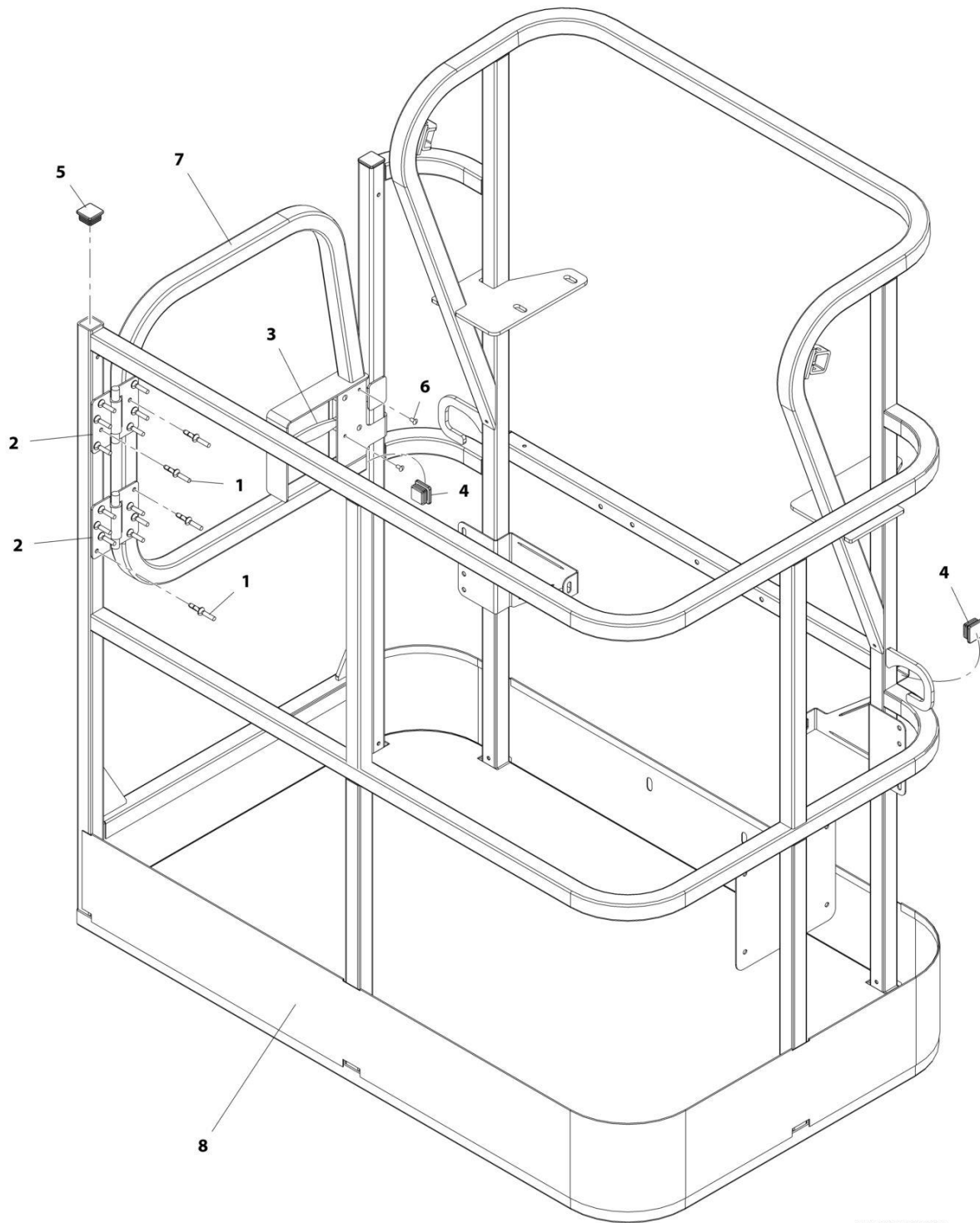
FIGURE 4-15. BOOM UPRIGHT VALVE ASSEMBLY

ITEM	PART NUMBER	QTY	DESCRIPTION	REV
	1001136244	Ref	BOOM UPRIGHT VALVE ASSEMBLY	C
1	7012955	2	Cartridge, Check Valve	
1	7012967	2	Seal Kit - 7012955 Cartridge	
2	7017452	2	Cartridge, Solenoid Valve (without Coil) (Telescope/Platform Level)	
2	7017402	2	Seal Kit - 7017452 Cartridge	
3	7017427	1	Cartridge, Relief	
3	7012998	1	Seal Kit - 7017427 Cartridge	
4	70002954	1	Cartridge, Relief	
4	7012998	1	Seal Kit - 70002954 Cartridge	
5	70002963	4	Coil	
6	See Note	2	Orifice (Note: Not Available for Purchase)	
7	7017498	1	Piston, Pilot	

SECTION 5 - PLATFORM

SECTION 5 - PLATFORM

FIGURE 5-1. PLATFORM ASSEMBLY - 30IN X 4FT (76CM X 1.22M) - GATE ENTRY



ART_1001186387

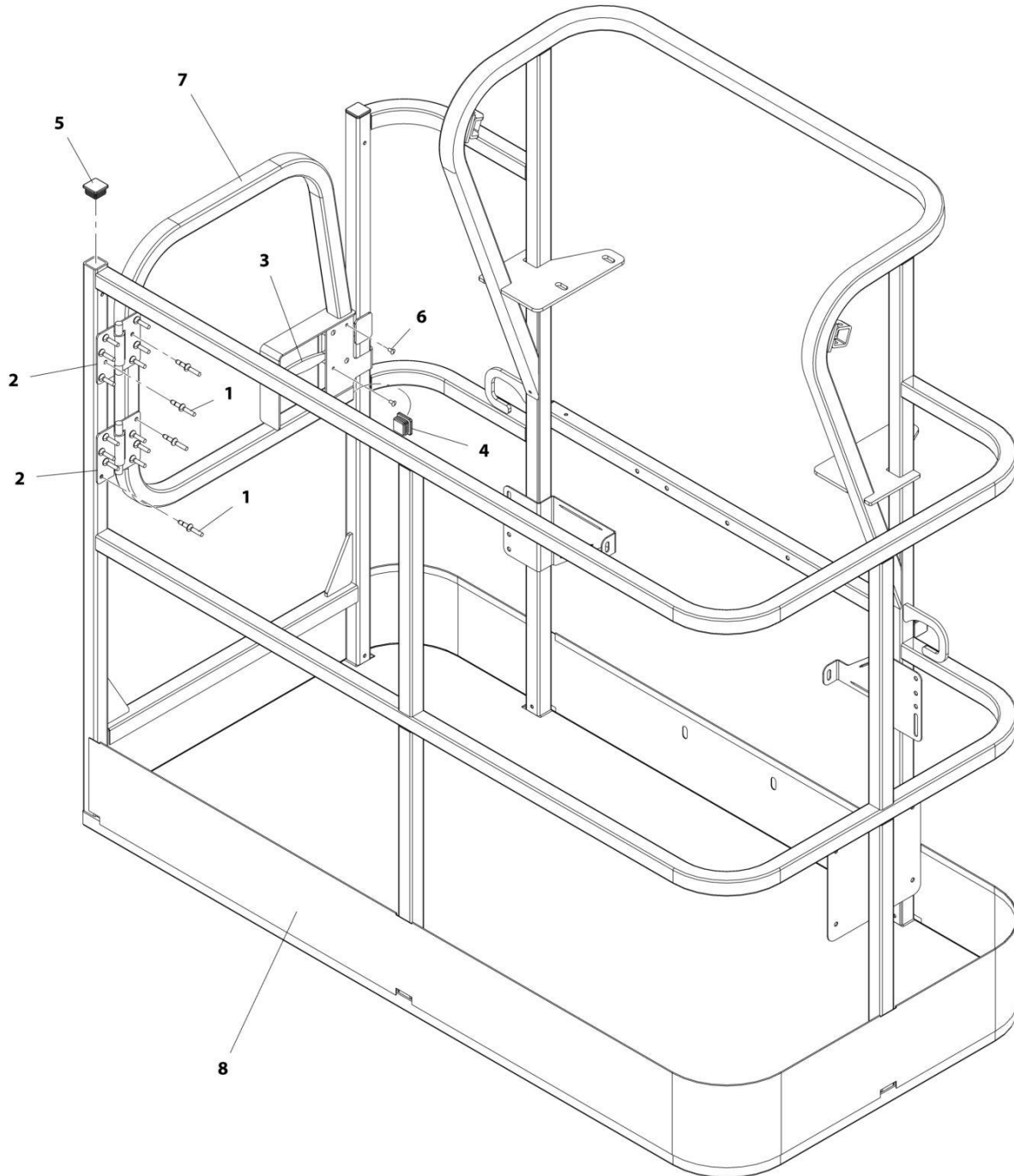
SECTION 5 - PLATFORM

FIGURE 5-1. PLATFORM ASSEMBLY - 30IN X 4FT (76CM X 1.22M) - GATE ENTRY

ITEM	PART NUMBER	QTY	DESCRIPTION	REV
	1001186387	Ref	PLATFORM ASSEMBLY - 30IN X 4FT (76CM X 1.22M) - GATE ENTRY	C
	See Note	Ref	Note: Platform and Mesh must be ordered separately for Platforms with Mesh. See SPECIAL OPTIONS SECTION for Mesh Installations.	
	See Note	Ref	Note: Replacement Decals Must be Ordered Separately - See DECALS SECTION.	
1	2080040	16	Fastener, Huck	
2	2600281	2	Hinge, Self-Closing	
3	2940074	1	Latch	
4	3520072	3	Cap, Plug	
5	3520198	2	Cap, Plug	
6	3820020	4	Rivet	
7	1001144629	1	Gate, Weldment	
8	See Note	1	Platform, Weldment (Note: Not Available - Purchase Platform Assembly)	

SECTION 5 - PLATFORM

FIGURE 5-2. PLATFORM ASSEMBLY - 30IN X 5FT (76CM X 1.52M) - GATE ENTRY



ART_1001186386

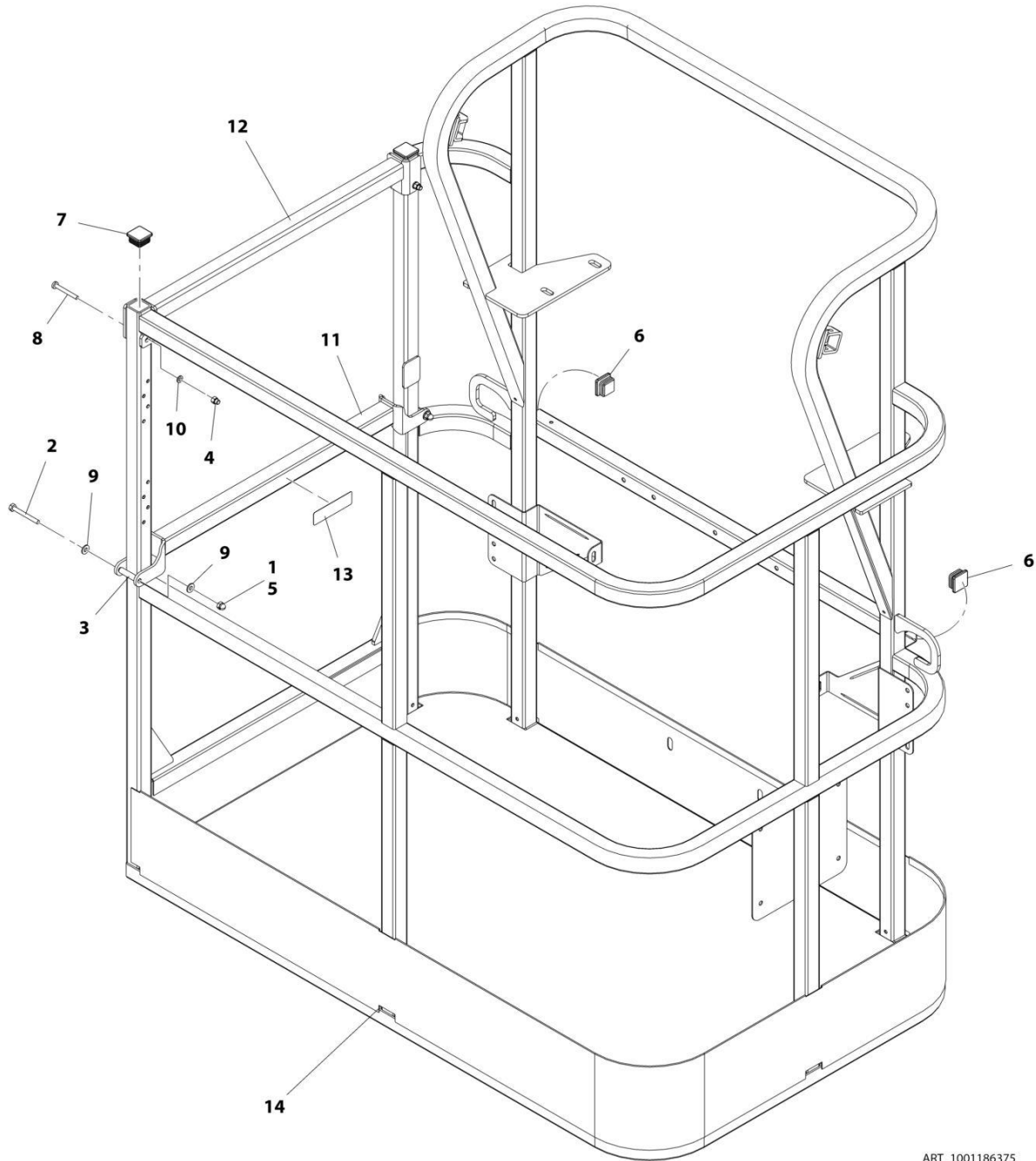
SECTION 5 - PLATFORM

FIGURE 5-2. PLATFORM ASSEMBLY - 30IN X 5FT (76CM X 1.52M) - GATE ENTRY

ITEM	PART NUMBER	QTY	DESCRIPTION	REV
	1001186386	Ref	PLATFORM ASSEMBLY - 30IN X 5FT (76CM X 1.52M) - GATE ENTRY	C
	See Note	Ref	Note: Platform and Mesh must be ordered separately for Platforms with Mesh. See SPECIAL OPTIONS SECTION for Mesh Installations.	
	See Note	Ref	Note: Replacement Decals Must be Ordered Separately - See DECALS SECTION.	
1	2080040	16	Fastener, Huck	
2	2600281	2	Hinge, Self-Closing	
3	2940074	1	Latch	
4	3520072	3	Cap, Plug	
5	3520198	2	Cap, Plug	
6	3820020	4	Rivet	
7	1001144629	1	Gate, Weldment	
8	See Note	1	Platform, Weldment (Note: Not Available - Purchase Platform Assembly)	

SECTION 5 - PLATFORM

FIGURE 5-3. PLATFORM ASSEMBLY - 30IN X 4FT (76CM X 1.22M) - DROP BAR ENTRY



ART_1001186375

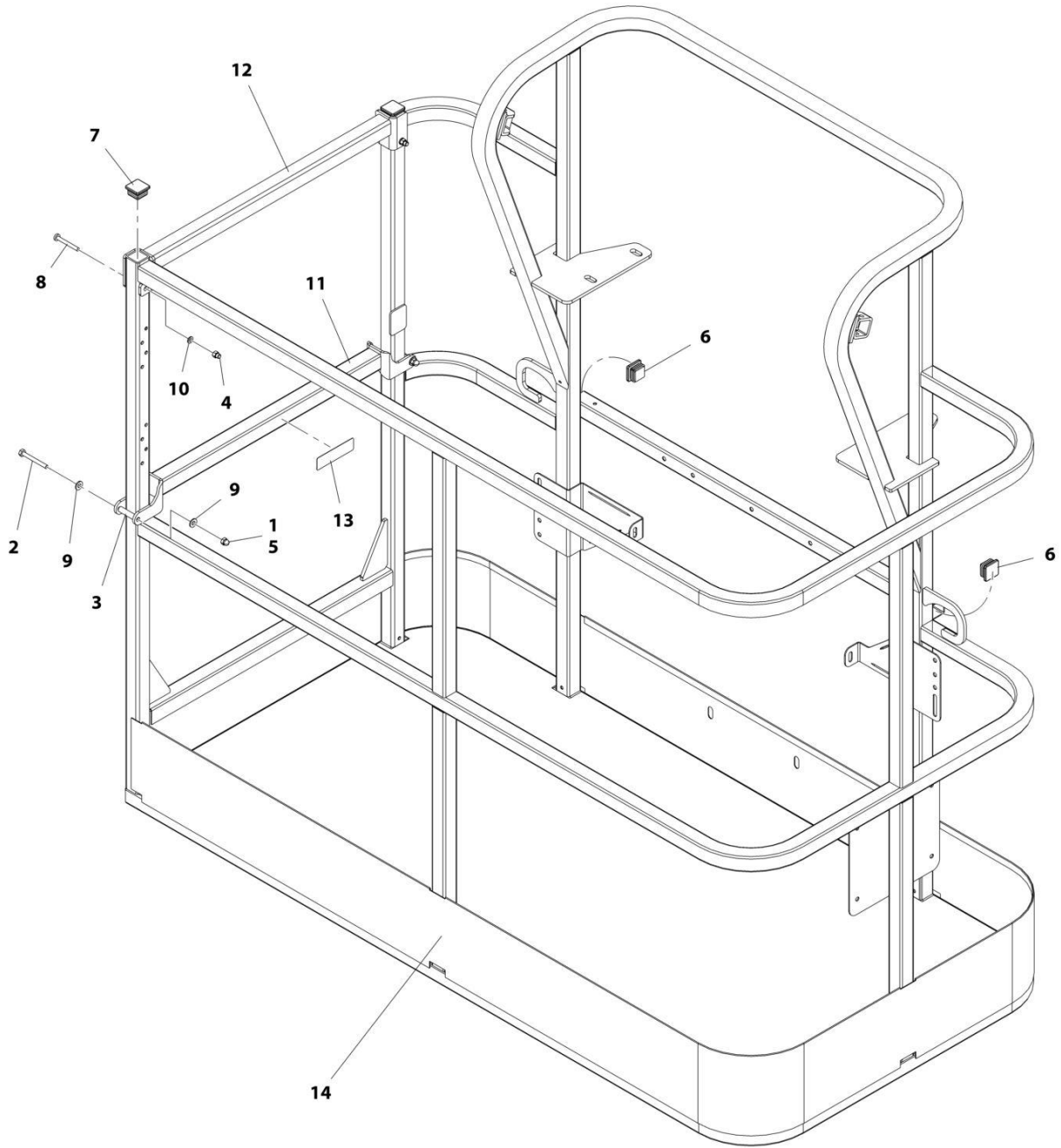
SECTION 5 - PLATFORM

FIGURE 5-3. PLATFORM ASSEMBLY - 30IN X 4FT (76CM X 1.22M) - DROP BAR ENTRY

ITEM	PART NUMBER	QTY	DESCRIPTION	REV
	1001186375	Ref	PLATFORM ASSEMBLY - 30IN X 4FT (76CM X 1.22M) - DROP BAR ENTRY	B
	See Note	Ref	Note: Platform and Mesh must be ordered separately for Platforms with Mesh. See SPECIAL OPTIONS SECTION for Mesh Installations.	
	See Note	Ref	Note: Replacement Decals Must be Ordered Separately - See DECALS SECTION.	
1	0100011	AR	Compound, Locking	
2	0641418	2	Bolt 1/4-20 x 2-1/4	
3	0961845	2	Bushing	
4	3290606	2	Nut M6 x 1	
5	3300151	2	Nut, Acorn 1/4-20	
6	3520072	2	Cap, Plug	
7	3520198	2	Cap, Plug	
8	4010618	2	Screw M6 x 50	
9	4711400	4	Washer 1/4	
10	4811700	2	Washer M6	
11	1001138494	1	Bar, Drop	
12	1001138514	1	Rail (Top)	
13	1001140429	1	Decal - Drop Bar	
14	See Note	1	Platform, Weldment (Note: Not Available - Purchase Platform Assembly)	

SECTION 5 - PLATFORM

FIGURE 5-4. PLATFORM ASSEMBLY - 30IN X 5FT (76CM X 1.52M) - DROP BAR ENTRY



ART_1001186377

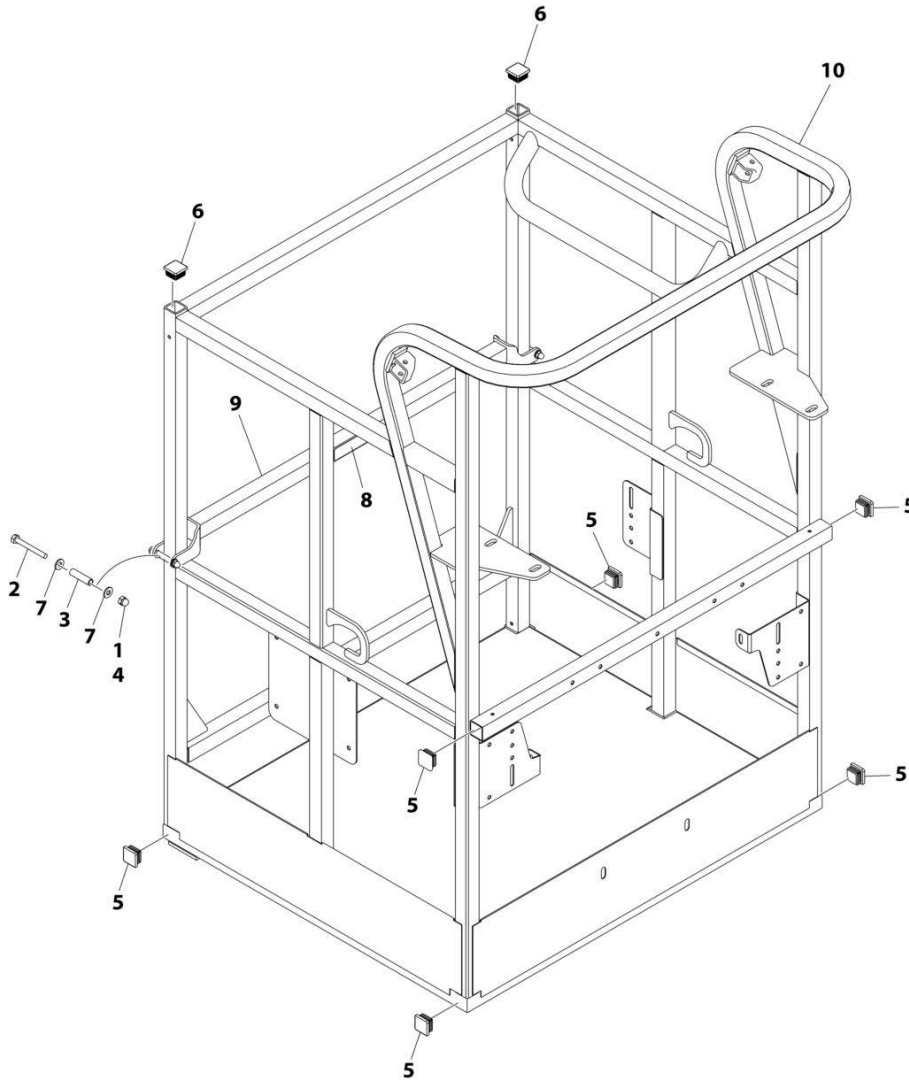
SECTION 5 - PLATFORM

FIGURE 5-4. PLATFORM ASSEMBLY - 30IN X 5FT (76CM X 1.52M) - DROP BAR ENTRY

ITEM	PART NUMBER	QTY	DESCRIPTION	REV
	1001186377	Ref	PLATFORM ASSEMBLY - 30IN X 5FT (76CM X 1.52M) - DROP BAR ENTRY	C
	See Note	Ref	Note: Platform and Mesh must be ordered separately for Platforms with Mesh. See SPECIAL OPTIONS SECTION for Mesh Installations.	
	See Note	Ref	Note: Replacement Decals Must be Ordered Separately - See DECALS SECTION.	
1	0100011	AR	Compound, Locking	
2	0641418	2	Bolt 1/4-20 x 2-1/4	
2	0641420	2	Bolt 1/4 x 2-1/2	
3	0961845	2	Bushing	
4	3290606	2	Nut M6 x 1	
5	3300151	2	Nut, Acorn 1/4-20	
6	3520072	2	Cap, Plug	
7	3520198	2	Cap, Plug	
8	4010618	2	Screw M6 x 50	
9	4711400	4	Washer 1/4	
10	4811700	2	Washer M6	
11	1001138494	1	Bar, Drop	
12	1001138514	1	Rail (Top)	
13	1001140429	1	Decal - Drop Bar	
14	See Note	1	Platform, Weldment (Note: Not Available - Purchase Platform Assembly)	

SECTION 5 - PLATFORM

FIGURE 5-5. PLATFORM ASSEMBLY - 30IN X 3FT (76CM X .91M) - DROP BAR ENTRY



ART_1001228215

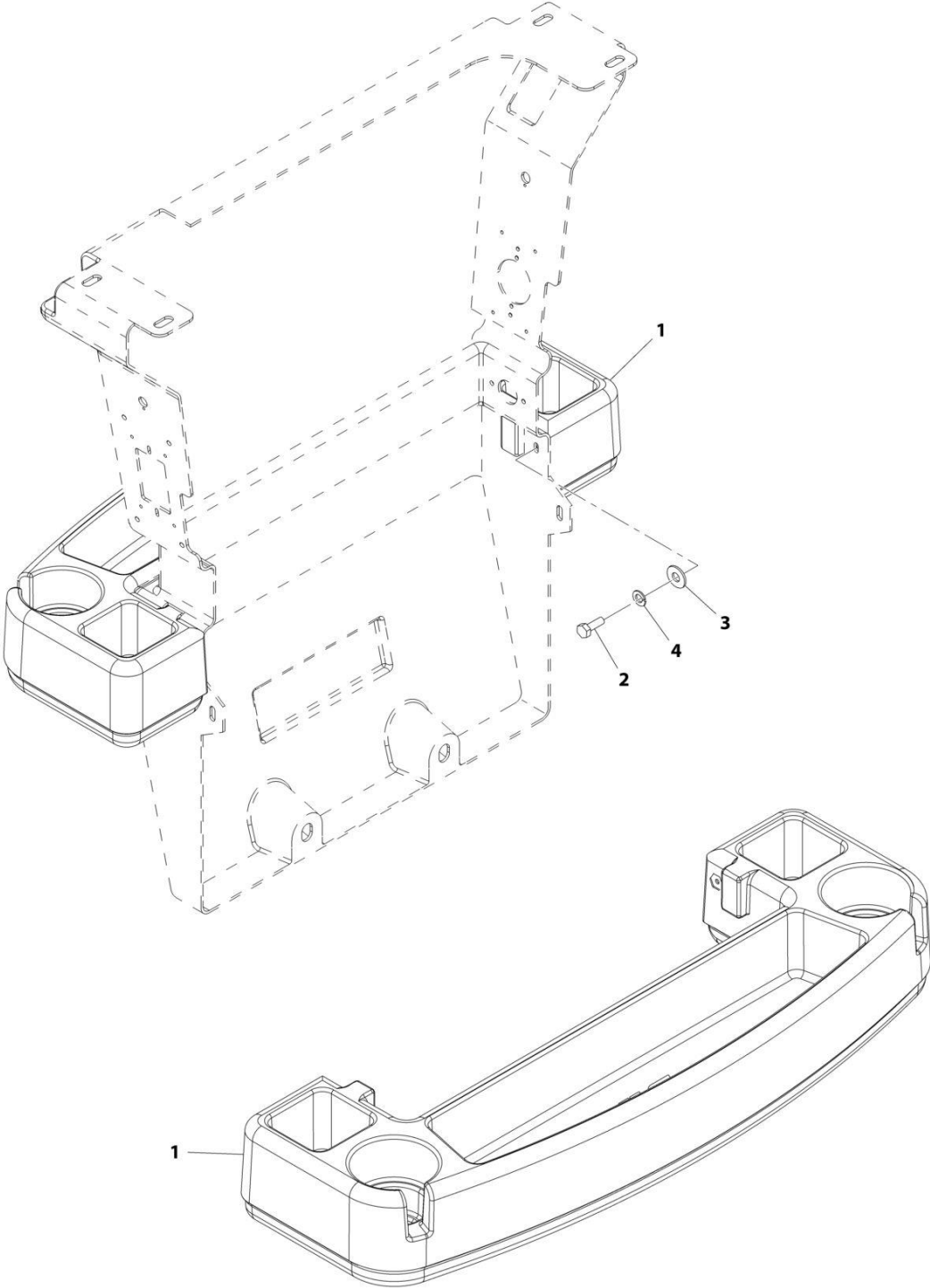
SECTION 5 - PLATFORM

FIGURE 5-5. PLATFORM ASSEMBLY - 30IN X 3FT (76CM X .91M) - DROP BAR ENTRY

ITEM	PART NUMBER	QTY	DESCRIPTION	REV
	1001228215	Ref	PLATFORM ASSEMBLY	A
	See Note	Ref	Note: Platform and Mesh must be ordered separately for Platforms with Mesh. See SPECIAL OPTIONS SECTION for Mesh Installations.	
	See Note	Ref	Note: Replacement Decals Must be Ordered Separately - See DECAL SECTION.	
1	0100011	AR	Compound, Locking	
2	0641418	2	Bolt 1/4 x 2-1/4	
3	0961845	2	Bushing	
4	3300151	2	Nut 1/4	
5	3520072	6	Cap, Plug	
6	3520198	2	Cap, Plug	
7	4711400	4	Washer 1/4	
8	1001140429	1	Decal - Drop Bar	
9	1001226872	1	Bar, Drop	
10	See Note	NSS	Platform (Note: Not Available - Purchase Platform Assembly)	

SECTION 5 - PLATFORM

FIGURE 5-6. TRAY INSTALLATION



ART_1580012

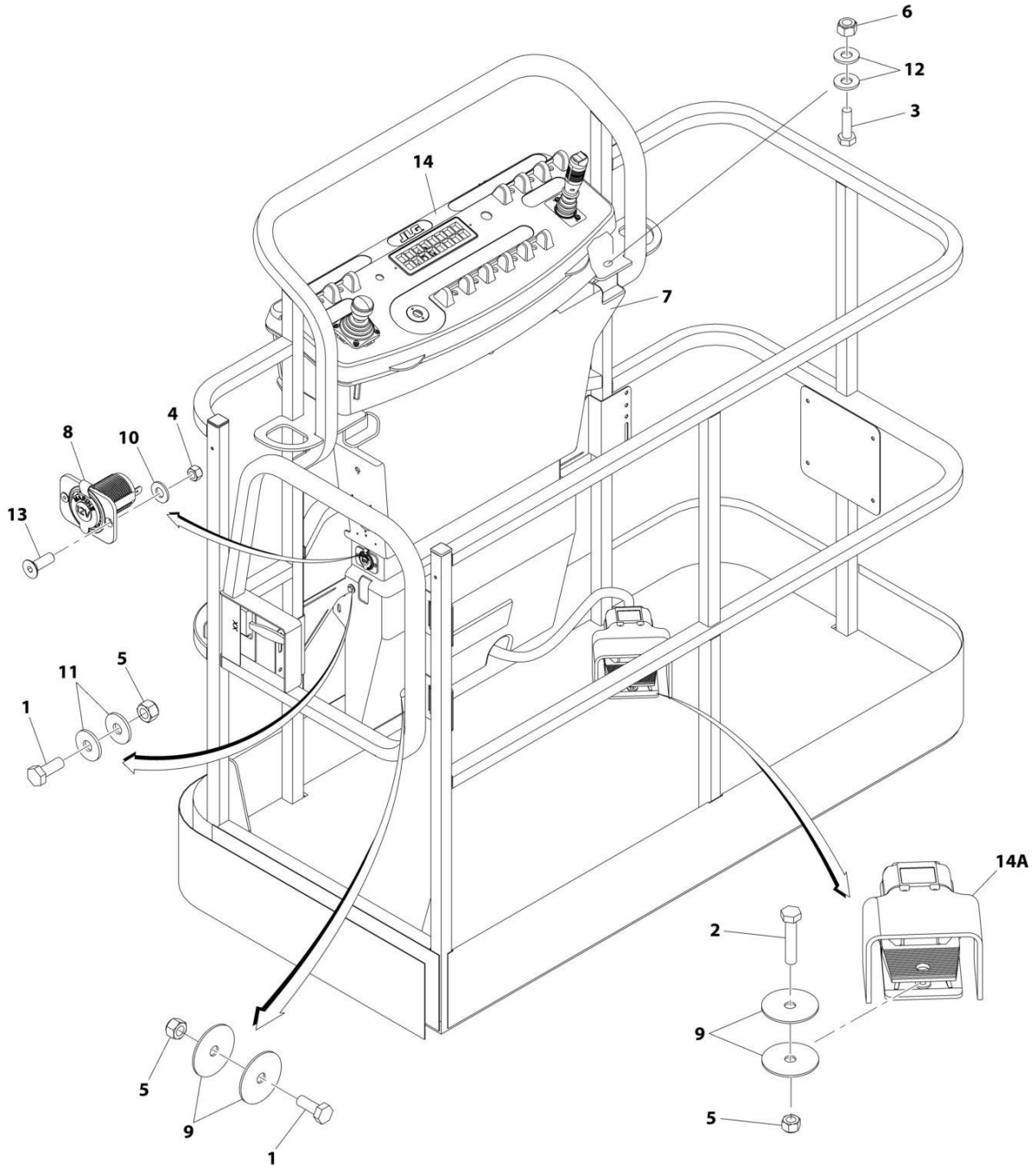
SECTION 5 - PLATFORM

FIGURE 5-6. TRAY INSTALLATION

ITEM	PART NUMBER	QTY	DESCRIPTION	REV
	1580012	Ref	TRAY INSTALLATION	C
1	See Note	1	Tray, Storage - Center (Note: Use p/n 1580012)	
2	0641406	2	Bolt 1/4-20 x 3/4	
3	4751400	2	Washer 1/4	
4	4761400	2	Washer 1/4	

SECTION 5 - PLATFORM

FIGURE 5-7. CONSOLE AND FOOTSWITCH INSTALLATION - DIESEL MACHINES WITHOUT SKYGUARD



ART_1001145804

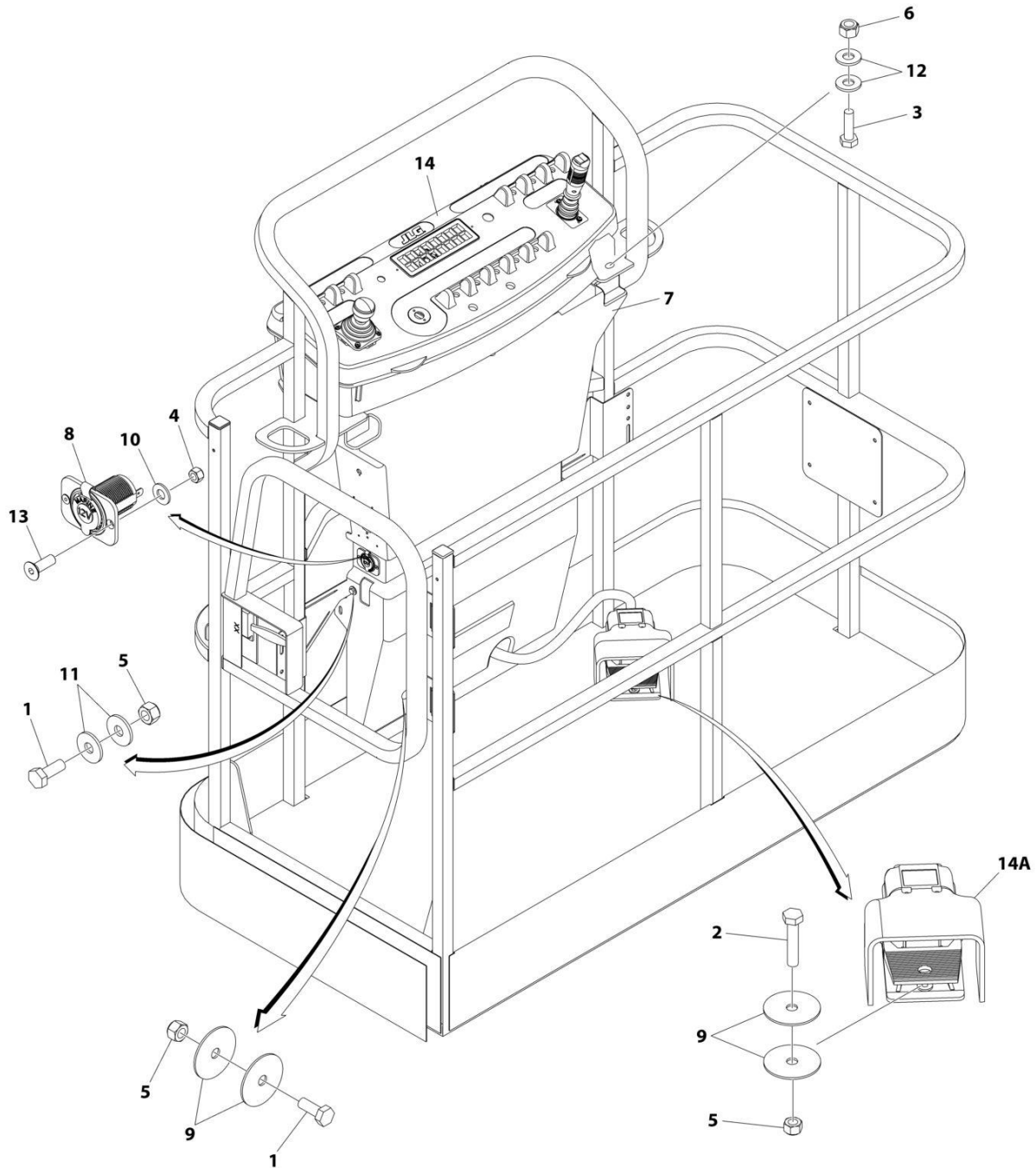
SECTION 5 - PLATFORM

FIGURE 5-7. CONSOLE AND FOOTSWITCH INSTALLATION - DIESEL MACHINES WITHOUT SKYGUARD

ITEM	PART NUMBER	QTY	DESCRIPTION	REV
	1001145804	Ref	CONSOLE AND FOOTSWITCH INSTALLATION - DIESEL MACHINES WITHOUT SKYGUARD	D
1	0760608	4	Bolt M6 x 16	
2	0760614	3	Bolt M6 x 30	
3	0761015	4	Bolt M10 x 35	
4	3290405	2	Nut M4	
5	3290605	7	Nut M6	
6	3291005	4	Nut M10	
7	3380434	1	Panel, Pedestal	
8	4461012	1	Receptacle, 12V	
9	4740362	7	Washer 1/4	
10	4811400	2	Washer M4	
11	4811702	4	Washer M6	
12	4812002	8	Washer M10	
13	1001097244	2	Capscrew M4 x 12	
14	1001166667	NLA	Console Box Assembly (See CONSOLE ASSEMBLY - WITHOUT SKYGUARD for Breakdown) (SN 0300200802 through 0300219869)	
14	1001202568	1	Console Box Assembly (See CONSOLE ASSEMBLY - WITHOUT SKYGUARD for Breakdown) (SN 0300219870 to Present)	
14A	1001117174	1	Footswitch Assembly	B
14A	1001117172	1	Footswitch Less Cable	
14A	70002902	1	Block, Contact	
14A	70002903	1	Gasket	
14A	70002905	1	Cover	
14A	70002904	1	Bolt Replacement Kit	
14A	1060918	7.5 ft /2.3m	Cable, Electrical - 18/3	
14A	4460071	1	Connector, Strain Relief	
14A	4460226	2	Socket, Female	
14A	4460464	1	Pin, Male	

SECTION 5 - PLATFORM

FIGURE 5-8. CONSOLE AND FOOTSWITCH INSTALLATION WITHOUT LSS OR WITH 4 CELL LSS - DIESEL MACHINES WITH SKYGUARD



ART_1001190079

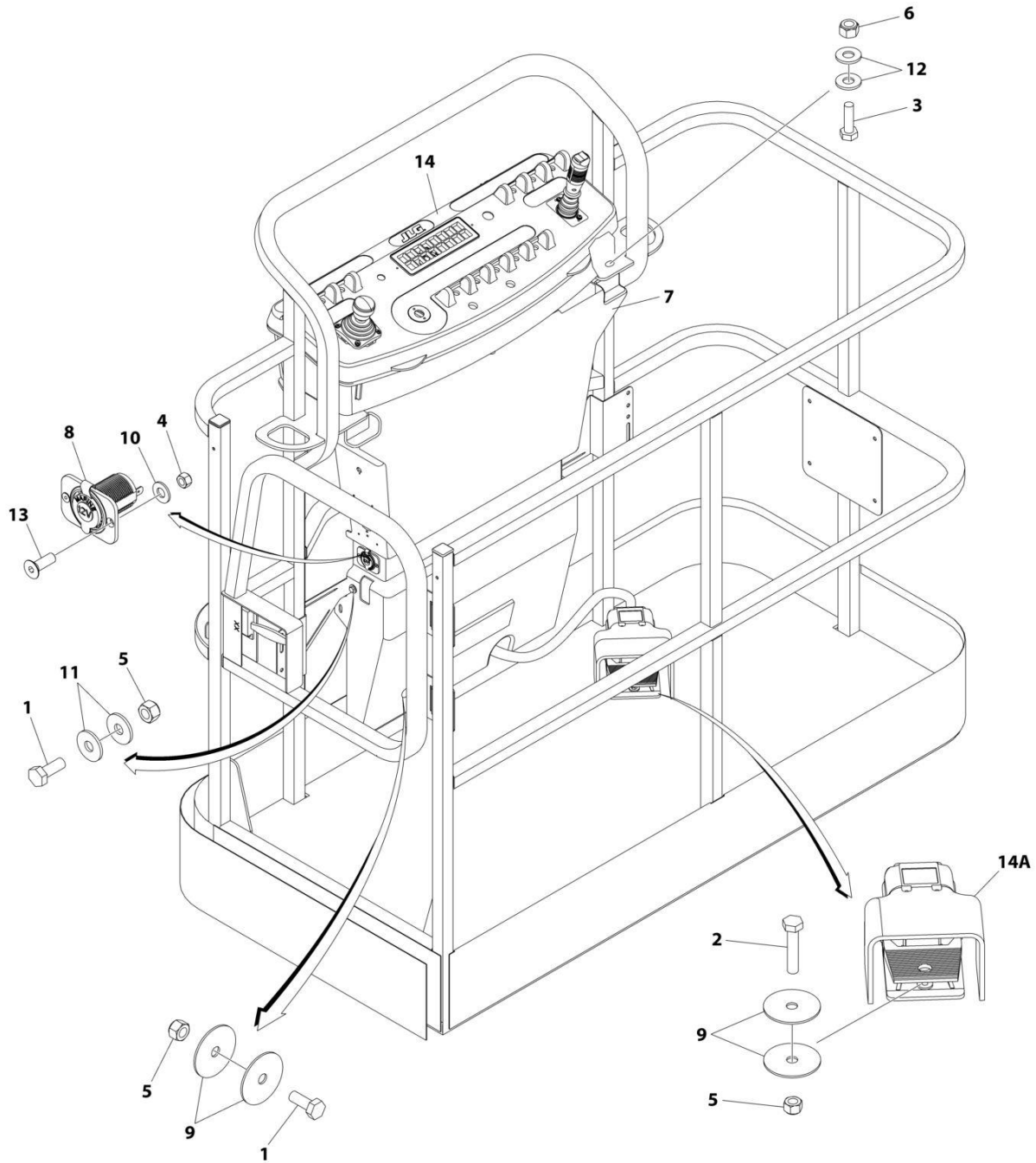
SECTION 5 - PLATFORM

FIGURE 5-8. CONSOLE AND FOOTSWITCH INSTALLATION WITHOUT LSS OR WITH 4 CELL LSS - DIESEL MACHINES WITH SKYGUARD

ITEM	PART NUMBER	QTY	DESCRIPTION	REV
	1001190079	Ref	CONSOLE AND FOOTSWITCH INSTALLATION WITHOUT LSS OR WITH 4 CELL LSS - DIESEL MACHINES WITH SKYGUARD	C
1	0760608	4	Bolt M6 x 16	
2	0760614	3	Bolt M6 x 30	
3	0761015	4	Bolt M10 x 35	
4	3290405	2	Nut M4	
5	3290605	7	Nut M6	
6	3291005	4	Nut M10	
7	3380434	1	Panel, Pedestal	
8	4461012	1	Receptacle, 12V	
9	4740362	7	Washer 1/4	
10	4811400	2	Washer M4	
11	4811702	4	Washer M6	
12	4812002	8	Washer M10	
13	1001097244	2	Capscrew M4 x 12	
14	1001190081	NLA	Console Box Assembly without LSS or with 4 CELL LSS (See CONSOLE ASSEMBLY - WITH SKYGUARD for Breakdown) (SN 0300200802 through 0300219869)	
14	1001202566	1	Console Box Assembly without LSS or with 4 CELL LSS (See CONSOLE ASSEMBLY - WITH SKYGUARD for Breakdown) (SN 0300219870 to Present)	
14A	1001117174	1	Footswitch Assembly	B
14A	1001117172	1	Footswitch Less Cable	
14A	70002902	1	Block, Contact	
14A	70002903	1	Gasket	
14A	70002905	1	Cover	
14A	70002904	1	Bolt Replacement Kit	
14A	1060918	7.5 ft/ 2.3m	Cable, Electrical - 18/3	
14A	4460071	1	Connector, Strain Relief	
14A	4460226	2	Socket, Female	
14A	4460464	1	Pin, Male	

SECTION 5 - PLATFORM

FIGURE 5-9. CONSOLE AND FOOTSWITCH INSTALLATION WITH 1 CELL LSS - DIESEL MACHINES WITH SKYGUARD (Prior to SN 0300257079)



ART_1001220655

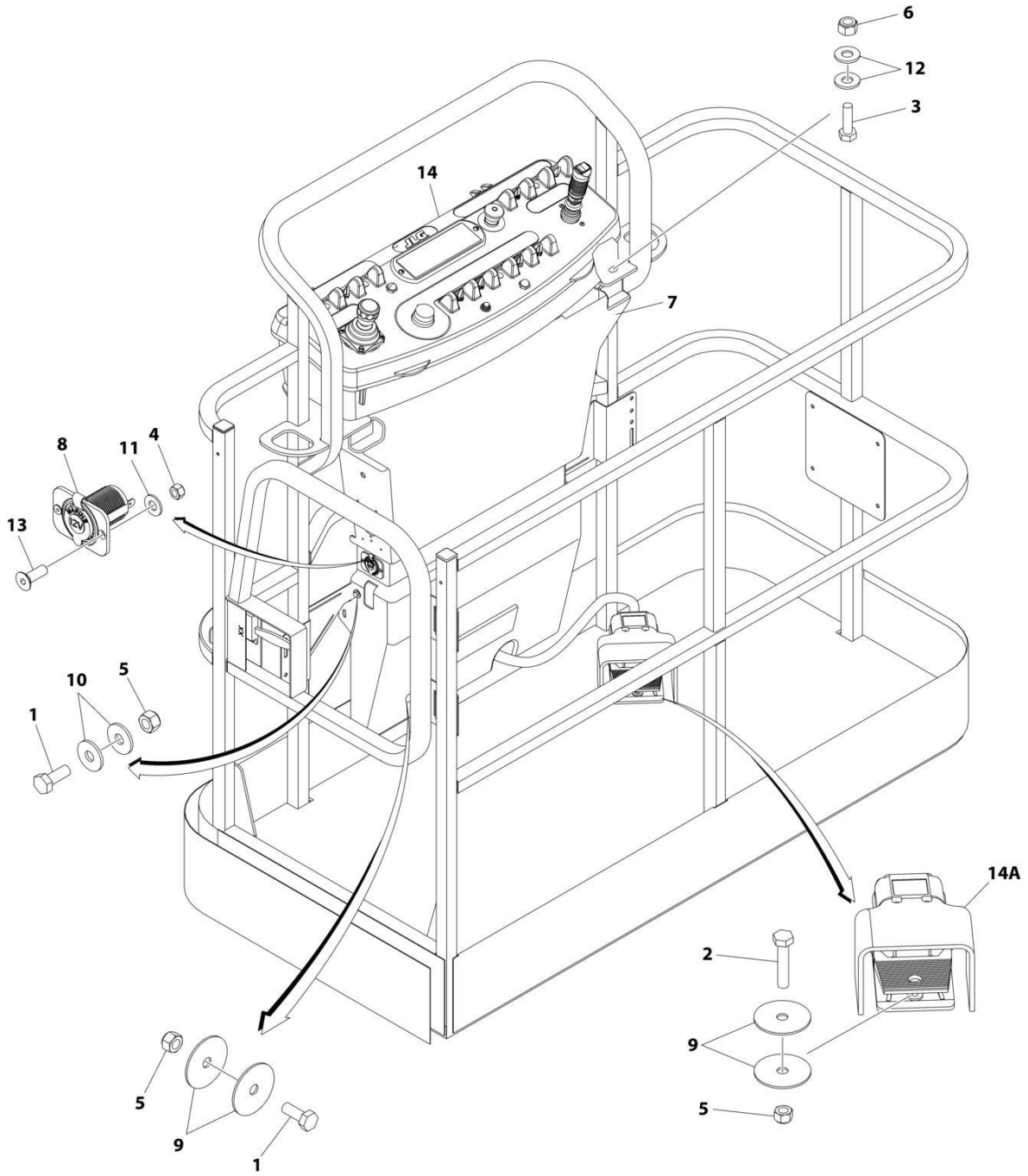
SECTION 5 - PLATFORM

FIGURE 5-9. CONSOLE AND FOOTSWITCH INSTALLATION WITH 1 CELL LSS - DIESEL MACHINES WITH SKYGUARD (Prior to SN 0300257079)

ITEM	PART NUMBER	QTY	DESCRIPTION	REV
	1001220655	Ref	CONSOLE AND FOOTSWITCH INSTALLATION WITH 1 CELL LSS - DIESEL MACHINES WITH SKYGUARD	B
1	0760608	4	Bolt M6 x 16	
2	0760614	3	Bolt M6 x 30	
3	0761015	4	Bolt M10 x 35	
4	3290405	2	Nut M4	
5	3290605	7	Nut M6	
6	3291005	4	Nut M10	
7	3380434	1	Panel, Pedestal	
8	4461012	1	Receptacle, 12V	
9	4740362	7	Washer 1/4	
10	4811400	2	Washer M4	
11	4811702	4	Washer M6	
12	4812002	8	Washer M10	
13	1001097244	2	Capscrew M4 x 12	
14	1001218067	1	Console Box Assembly with 1 CELL LSS	
14A	1001117174	1	Footswitch Assembly	B
14A	1001117172	1	Footswitch Less Cable	
14A	70002902	1	Block, Contact	
14A	70002903	1	Gasket	
14A	70002905	1	Cover	
14A	70002904	1	Bolt Replacement Kit	
14A	1060918	7.5 ft/ 2.3m	Cable, Electrical - 18/3	
14A	4460071	1	Connector, Strain Relief	
14A	4460226	2	Socket, Female	
14A	4460464	1	Pin, Male	

SECTION 5 - PLATFORM

FIGURE 5-10. CONSOLE AND FOOTSWITCH INSTALLATION WITH 1 CELL LSS - DIESEL MACHINES WITH SKYGUARD (SN 0300257079 to Present)



ART_1001242838

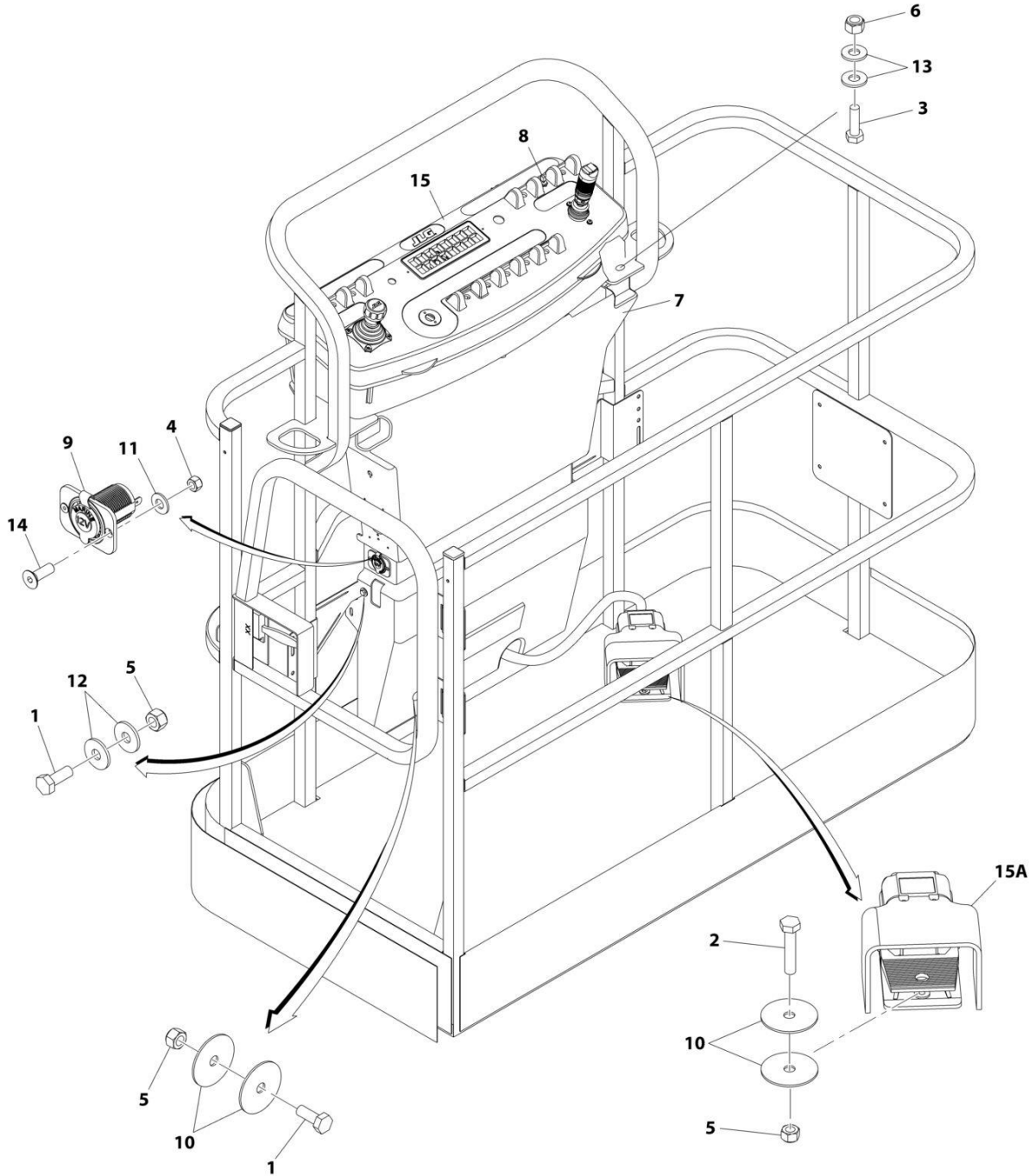
SECTION 5 - PLATFORM

FIGURE 5-10. CONSOLE AND FOOTSWITCH INSTALLATION WITH 1 CELL LSS - DIESEL MACHINES WITH SKYGUARD (SN 0300257079 to Present)

ITEM	PART NUMBER	QTY	DESCRIPTION	REV
	1001242838	Ref	CONSOLE AND FOOTSWITCH INSTALLATION WITH 1 CELL LSS - DIESEL MACHINES WITH SKYGUARD	A
1	0760610	4	Bolt M6 x 20	
2	0760614	3	Bolt M6 x 30	
3	0761015	4	Bolt M10 x 35	
4	3290405	2	Nut M4	
5	3290605	7	Nut M6	
6	3291005	4	Nut M10	
7	3380434	1	Panel, Pedestal	
8	4461012	1	Receptacle, 12V	
9	4740362	7	Washer 1/4	
10	4751400	4	Washer 1/4	
11	4811400	1	Washer M4	
12	4812000	8	Washer M10	
13	1001097244	2	Capscrew M4 x 12	
14	1001242844	1	Console Box Assembly with 1 CELL LSS	
14A	1001117174	1	Footswitch Assembly	B
14A	1001117172	1	Footswitch Less Cable	
14A	70002902	1	Block, Contact	
14A	70002903	1	Gasket	
14A	70002905	1	Cover	
14A	70002904	1	Bolt Replacement Kit	
14A	1060918	7.5 ft/ 2.3m	Cable, Electrical - 18/3	
14A	4460071	1	Connector, Strain Relief	
14A	4460226	2	Socket, Female	
14A	4460464	1	Pin, Male	

SECTION 5 - PLATFORM

FIGURE 5-11. CONSOLE AND FOOTSWITCH INSTALLATION - GAS MACHINES WITHOUT SKYGUARD



ART_1001145805

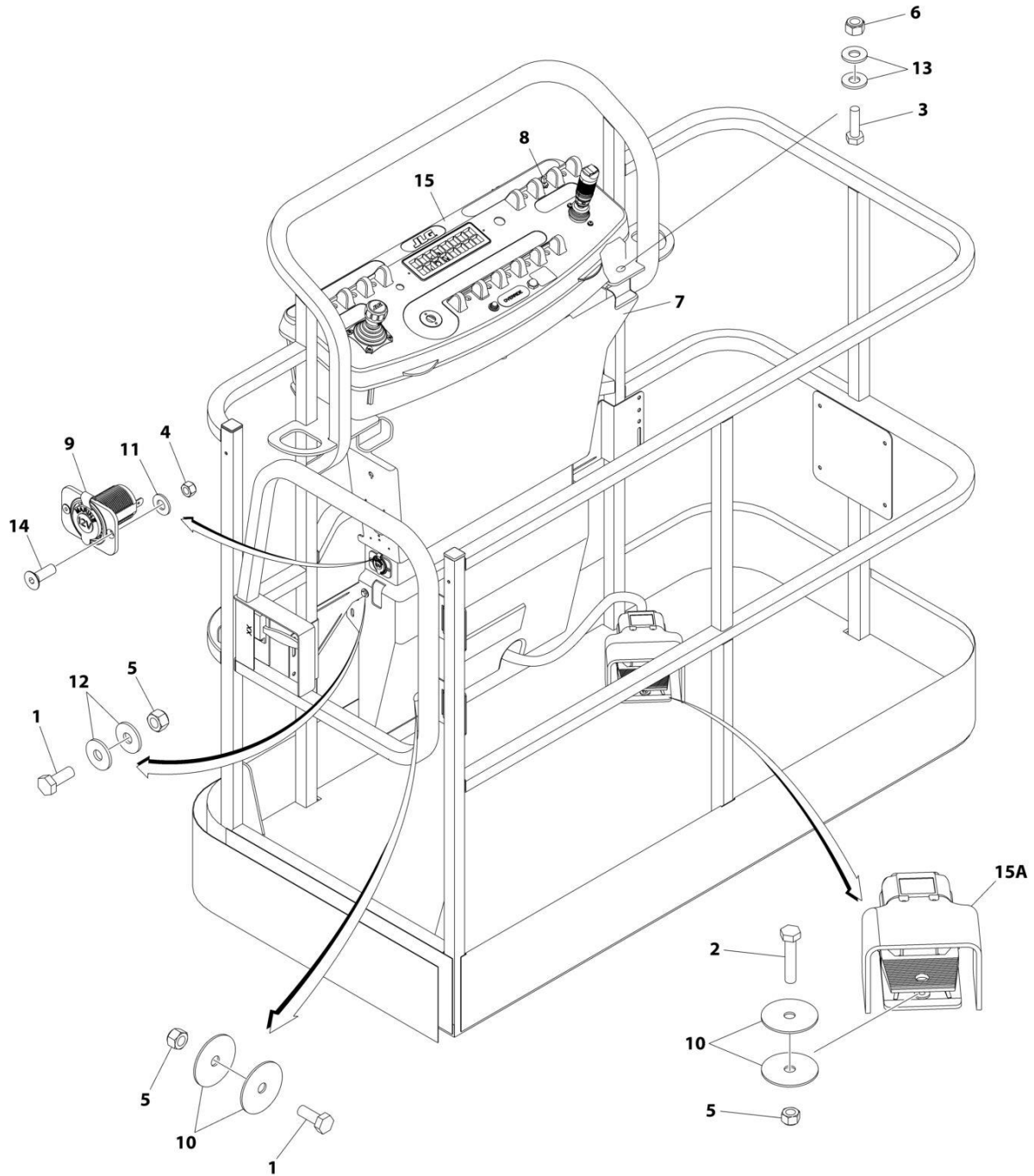
SECTION 5 - PLATFORM

FIGURE 5-11. CONSOLE AND FOOTSWITCH INSTALLATION - GAS MACHINES WITHOUT SKYGUARD

ITEM	PART NUMBER	QTY	DESCRIPTION	REV
	1001145805	Ref	CONSOLE AND FOOTSWITCH INSTALLATION - GAS MACHINES WITHOUT SKYGUARD	D
1	0760608	4	Bolt M6 x 16	
2	0760614	3	Bolt M6 x 30	
3	0761015	4	Bolt M10 x 35	
4	3290405	2	Nut M4	
5	3290605	7	Nut M6	
6	3291005	4	Nut M10	
7	3380434	1	Panel, Pedestal	
8	4360336	1	Switch, Toggle	
9	4461012	1	Receptacle, 12V	
10	4740362	7	Washer 1/4	
11	4811400	2	Washer M4	
12	4811702	4	Washer M6	
13	4812002	8	Washer M10	
14	1001097244	2	Capscrew M4 x 12	
15	1001166667	NLA	Console Box Assembly (See CONSOLE ASSEMBLY - WITHOUT SKYGUARD for Breakdown) (SN 0300200802 through 0300219869)	
15	1001202568	1	Console Box Assembly (See CONSOLE ASSEMBLY - WITHOUT SKYGUARD for Breakdown) (SN 0300219870 to Present)	
15A	1001117174	1	Footswitch Assembly	B
15A	1001117172	1	Footswitch Less Cable	
15A	70002902	1	Block, Contact	
15A	70002903	1	Gasket	
15A	70002905	1	Cover	
15A	70002904	1	Bolt Replacement Kit	
15A	1060918	7.5 ft /2.3m	Cable, Electrical - 18/3	
15A	4460071	1	Connector, Strain Relief	
15A	4460226	2	Socket, Female	
15A	4460464	1	Pin, Male	

SECTION 5 - PLATFORM

FIGURE 5-12. CONSOLE AND FOOTSWITCH INSTALLATION WITHOUT LSS OR WITH 4 CELL LSS - GAS MACHINES WITH SKYGUARD



ART_1001190080

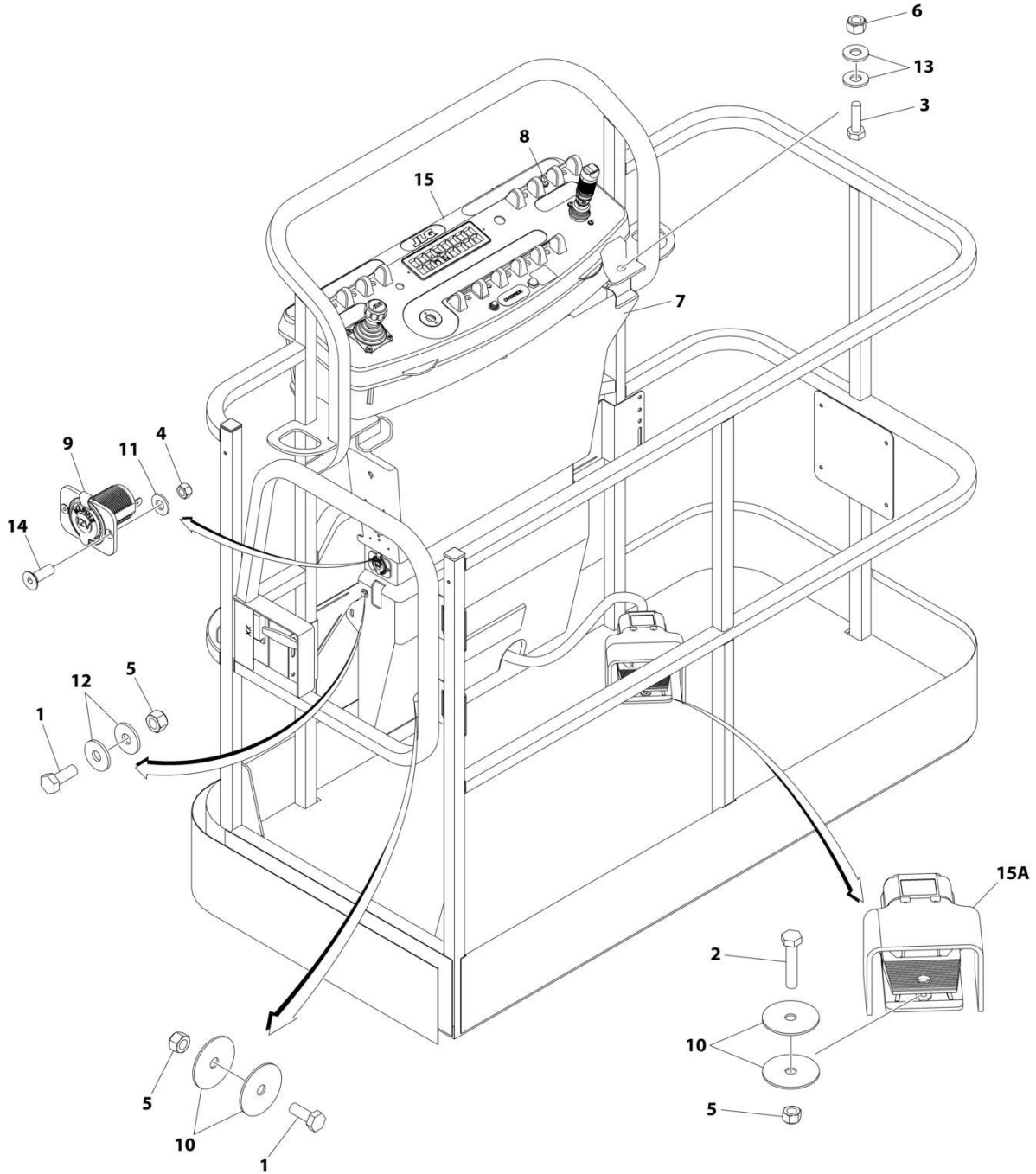
SECTION 5 - PLATFORM

FIGURE 5-12. CONSOLE AND FOOTSWITCH INSTALLATION WITHOUT LSS OR WITH 4 CELL LSS - GAS MACHINES WITH SKYGUARD

ITEM	PART NUMBER	QTY	DESCRIPTION	REV
	1001190080	Ref	CONSOLE AND FOOTSWITCH INSTALLATION WITHOUT LSS OR WITH 4 CELL LSS - GAS MACHINES WITH SKYGUARD	C
1	0760608	4	Bolt M6 x 16	
2	0760614	3	Bolt M6 x 30	
3	0761015	4	Bolt M10 x 35	
4	3290405	2	Nut M4	
5	3290605	7	Nut M6	
6	3291005	4	Nut M10	
7	3380434	1	Panel, Pedestal	
8	4360336	1	Switch, Toggle	
9	4461012	1	Receptacle, 12V	
10	4740362	7	Washer 1/4	
11	4811400	2	Washer M4	
12	4811702	4	Washer M6	
13	4812002	8	Washer M10	
14	1001097244	2	Capscrew M4 x 12	
15	1001190081	NLA	Console Box Assembly without LSS or with 4 CELL LSS (See CONSOLE ASSEMBLY - WITH SKYGUARD for Breakdown) (SN 0300200802 through 0300219869)	
15	1001202566	1	Console Box Assembly without LSS or with 4 CELL LSS (See CONSOLE ASSEMBLY - WITH SKYGUARD for Breakdown) (SN 0300219870 to Present)	
15A	1001117174	1	Footswitch Assembly	A
15A	1001117172	1	Footswitch Less Cable	
15A	70002902	1	Block, Contact	
15A	70002903	1	Gasket	
15A	70002905	1	Cover	
15A	70002904	1	Bolt Replacement Kit	
15A	1060918	7.5 ft/ 2.3m	Cable, Electrical - 18/3	
15A	4460071	1	Connector, Strain Relief	
15A	4460226	2	Socket, Female	
15A	4460464	1	Pin, Male	

SECTION 5 - PLATFORM

FIGURE 5-13. CONSOLE AND FOOTSWITCH INSTALLATION WITH 1 CELL LSS - GAS MACHINES WITH SKYGUARD (Prior to SN 0300257079)



ART_1001220666

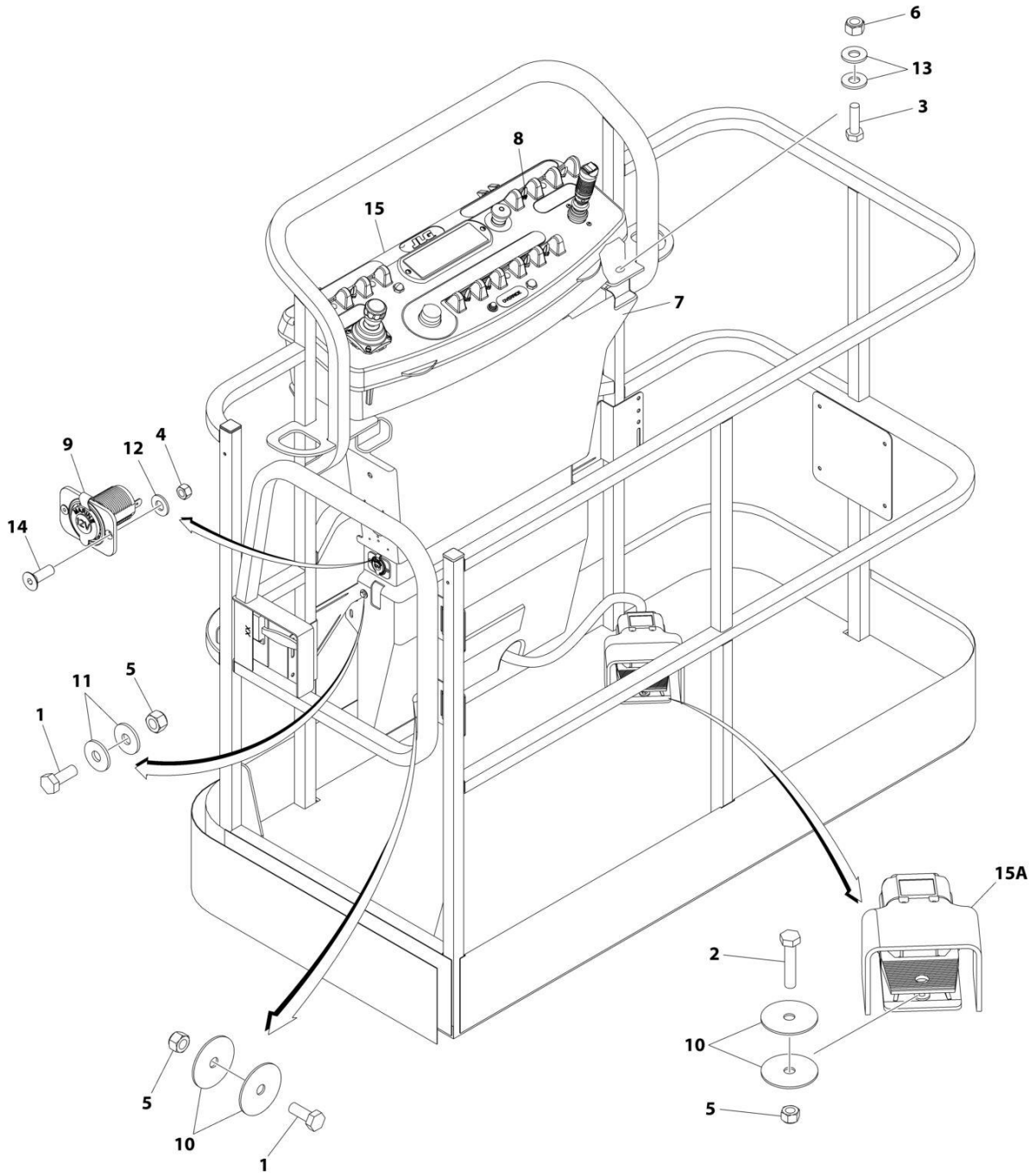
SECTION 5 - PLATFORM

FIGURE 5-13. CONSOLE AND FOOTSWITCH INSTALLATION WITH 1 CELL LSS - GAS MACHINES WITH SKYGUARD (Prior to SN 0300257079)

ITEM	PART NUMBER	QTY	DESCRIPTION	REV
	1001220666	Ref	CONSOLE AND FOOTSWITCH INSTALLATION WITH 1 CELL LSS - GAS MACHINES WITH SKYGUARD	B
1	0760608	4	Bolt M6 x 16	
2	0760614	3	Bolt M6 x 30	
3	0761015	4	Bolt M10 x 35	
4	3290405	2	Nut M4	
5	3290605	7	Nut M6	
6	3291005	4	Nut M10	
7	3380434	1	Panel, Pedestal	
8	4360336	1	Switch, Toggle	
9	4461012	1	Receptacle, 12V	
10	4740362	7	Washer 1/4	
11	4811400	2	Washer M4	
12	4811702	4	Washer M6	
13	4812002	8	Washer M10	
14	1001097244	2	Capscrew M4 x 12	
15	1001218067	1	Console Box Assembly with 1 CELL LSS	
15A	1001117174	1	Footswitch Assembly	A
15A	1001117172	1	Footswitch Less Cable	
15A	70002902	1	Block, Contact	
15A	70002903	1	Gasket	
15A	70002905	1	Cover	
15A	70002904	1	Bolt Replacement Kit	
15A	1060918	7.5 ft/ 2.3m	Cable, Electrical - 18/3	
15A	4460071	1	Connector, Strain Relief	
15A	4460226	2	Socket, Female	
15A	4460464	1	Pin, Male	

SECTION 5 - PLATFORM

FIGURE 5-14. CONSOLE AND FOOTSWITCH INSTALLATION WITH 1 CELL LSS - GAS MACHINES WITH SKYGUARD (SN 0300257079 to Present)



ART_1001242839

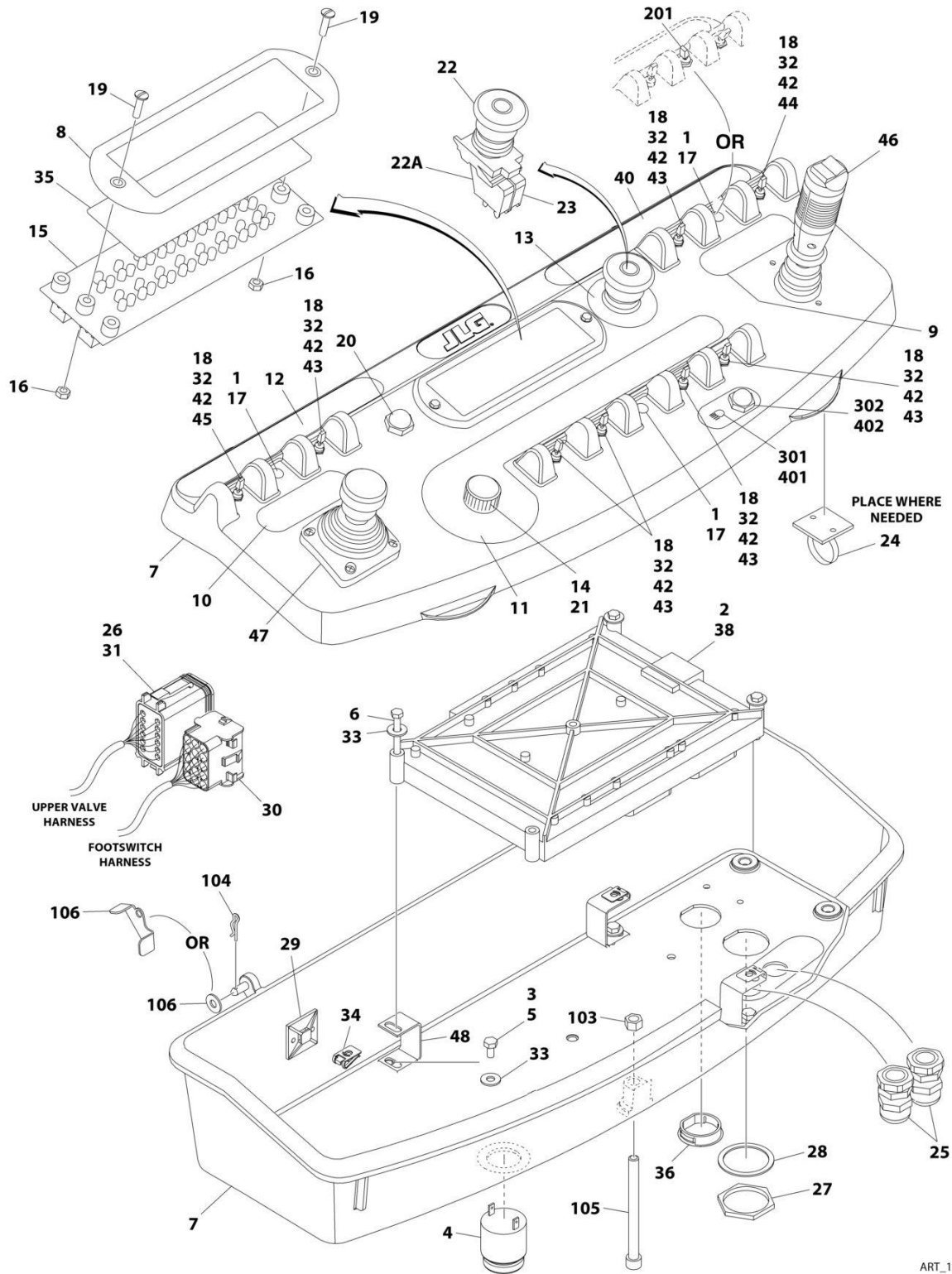
SECTION 5 - PLATFORM

FIGURE 5-14. CONSOLE AND FOOTSWITCH INSTALLATION WITH 1 CELL LSS - GAS MACHINES WITH SKYGUARD (SN 0300257079 to Present)

ITEM	PART NUMBER	QTY	DESCRIPTION	REV
	1001242839	Ref	CONSOLE AND FOOTSWITCH INSTALLATION WITH 1 CELL LSS - GAS MACHINES WITH SKYGUARD	A
1	0760610	4	Bolt M6 x 20	
2	0760614	3	Bolt M6 x 30	
3	0761015	4	Bolt M10 x 35	
4	3290405	2	Nut M4	
5	3290605	7	Nut M6	
6	3291005	4	Nut M10	
7	3380434	1	Panel, Pedestal	
8	4360336	1	Switch, Toggle	
9	4461012	1	Receptacle, 12V	
10	4740362	7	Washer 1/4	
11	4751400	4	Washer 1/4	
12	4811400	2	Washer M4	
13	4812000	8	Washer M10	
14	1001097244	2	Capscrew M4 x 12	
15	1001242844	1	Console Box Assembly with 1 CELL LSS	
15A	1001117174	1	Footswitch Assembly	A
15A	1001117172	1	Footswitch Less Cable	
15A	70002902	1	Block, Contact	
15A	70002903	1	Gasket	
15A	70002905	1	Cover	
15A	70002904	1	Bolt Replacement Kit	
15A	1060918	7.5 ft/ 2.3m	Cable, Electrical - 18/3	
15A	4460071	1	Connector, Strain Relief	
15A	4460226	2	Socket, Female	
15A	4460464	1	Pin, Male	

SECTION 5 - PLATFORM

FIGURE 5-15. CONSOLE ASSEMBLY - WITHOUT SKYGUARD (SN 0300200802 through 0300219869)



ART_1001166667

SECTION 5 - PLATFORM

FIGURE 5-15. CONSOLE ASSEMBLY - WITHOUT SKYGUARD (SN 0300200802 through 0300219869)

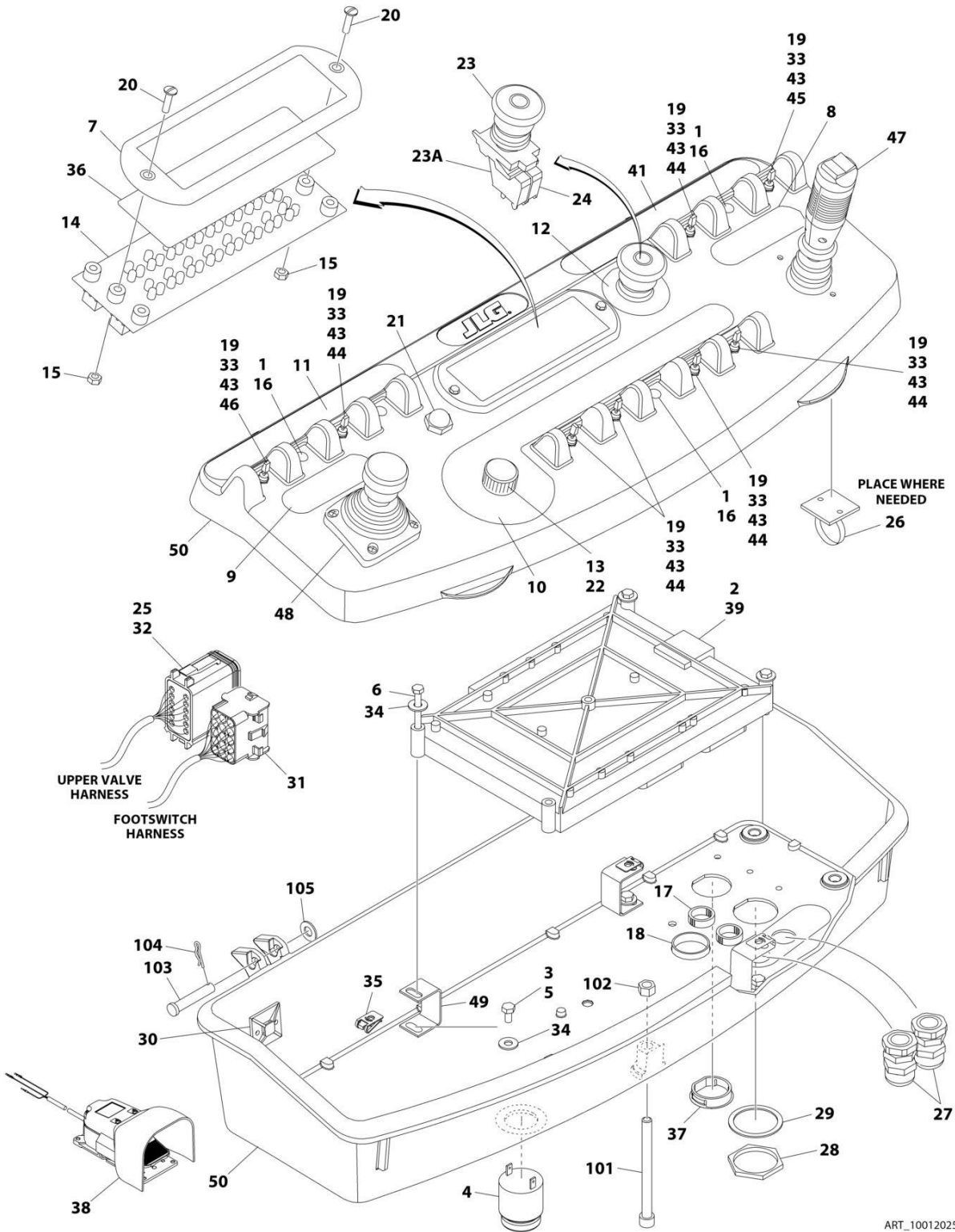
ITEM	PART NUMBER	QTY	DESCRIPTION	REV
	1001166667	Ref	CONSOLE ASSEMBLY - WITHOUT SKYGUARD (SN 0300200802 through 0300219869)	C
1	0100009	AR	Sealant	
2	0100048	AR	Grease, Dielectric	
3	0100081	AR	Adhesive	
4	0140011	1	Alarm	
5	0641404	4	Bolt 1/4-20 x 1/2	
6	0700617	4	Bolt M6 x 45	
7	0861441	1	Box, Console (See Items 103-106 for Breakdown)	
8	1671176	1	Bezel	
9	1702565	1	Decal - Drive and Steer	
10	1702566	1	Decal - Lift and Swing	
11	1702567	1	Decal - Function Speed	
12	1702676	1	Decal - Horn	
13	1704260	1	Decal - EMS	
14	2560136	1	Handle, Knob	
15	2920154	1	Panel, LED	
16	3311005	2	Nut #10-24	
17	3520028	3	Plug, Hole	
18	3790012	8	O-Ring	
19	3911018	2	Bolt #10-24 x 1-1/8	
20	4360387	1	Switch, Pushbutton	
21	4360407	1	Controller, Speed	
21	4460224	1	Receptacle, Female - 6 Position	
21	4460226	1	Socket, Female	
21	See Note	NSS	Gasket "Top Hat" (Included with Switch) (Note: Not Available - Purchase Complete Controller)	
21	70003784	1	Seal	
22	4360475	1	Switch, Emergency Stop	
22	7020175	1	Cap, Red	
22A	7020176	1	Contact Block	
23	4360476	1	Block, Contact	
24	4460234	3	Base, Mounting	
25	4460428	2	Connector, Strain Relief	
26	4460466	7	Seal, Plug	
27	4460470	1	Nut	
28	4460471	1	Washer	
29	4460488	1	Base, Mounting	
30	4460708	1	Receptacle, Female - 15 Position	
31	4460933	1	Plug, Male - 12 Position	
32	4740397	8	Washer	
33	4751400	8	Washer 1/4	
34	8305919	4	Retainer M6	
35	1001107952	1	Decal - Display	
36	1001110434	1	Plug, Hole	
37	1001117174	1	Footswitch Assembly (Not Shown - See CONSOLE AND FOOTSWITCH INSTALLATION for Breakdown)	
38	1001118412	1	Module, Platform (Note: Re-calibration Required when Replaced)	
39	1001118415	1	Platform Console Harness Assembly (Not Shown - See ELECTRICAL SECTION for Breakdown)	

SECTION 5 - PLATFORM

ITEM	PART NUMBER	QTY	DESCRIPTION	REV
40	1001131168	1	Decal - Stop	
41	1001140525	1	Platform to Boom Valves Harness Assembly (Not Shown - See ELECTRICAL SECTION for Breakdown)	
42	1001155044	8	Nut 15/32-32	
43	1001155045	6	Switch, Toggle	
44	1001159256	1	Switch, Toggle	
45	1001161709	1	Switch, Toggle	
46	1001166538	NLA	Drive/Steer Controller Assembly (Use p/n 1001212415) (See DRIVE/STEER CONTROLLER ASSEMBLY for Breakdown)	
47	1001166539	NLA	Lift/Swing Controller Assembly (Use p/n 1001129555) (See LIFT/SWING CONTROLLER ASSEMBLY for Breakdown)	
48	1001172760	4	Bracket	
	0861441	Ref	CONSOLE BOX ASSEMBLY	H
103	3311601	1	Nut 3/8-16	
104	3470003	2	Pin, Cotter	
105	0630568	1	Capscrew 3/8-16 x 4-1/2	
106	4711500	2	Washer 5/16 (SN 0300200802 through 0300219869)	
106	1001200575	2	Bracket, Stop (SN 0300219870 to Present)	
	1001145805	Ref	DUAL FUEL SWITCH INSTALLATION (GAS MACHINES ONLY)	
201	4360336	1	Switch, Toggle	
	1001120232	Ref	TURNTABLE FLOODLIGHTS SWITCH INSTALLATION	
301	1705170	1	Decal - Lights	
302	4360522	1	Switch, Push Button	
	1001149144	Ref	HEAD AND TAIL LIGHTS INSTALLATION	
401	1705170	1	Decal - Lights	
402	4360522	1	Switch, Push Button	

SECTION 5 - PLATFORM

FIGURE 5-16. CONSOLE ASSEMBLY - WITHOUT SKYGUARD (SN 0300219870 to Present)



ART_1001202568

SECTION 5 - PLATFORM

FIGURE 5-16. CONSOLE ASSEMBLY - WITHOUT SKYGUARD (SN 0300219870 to Present)

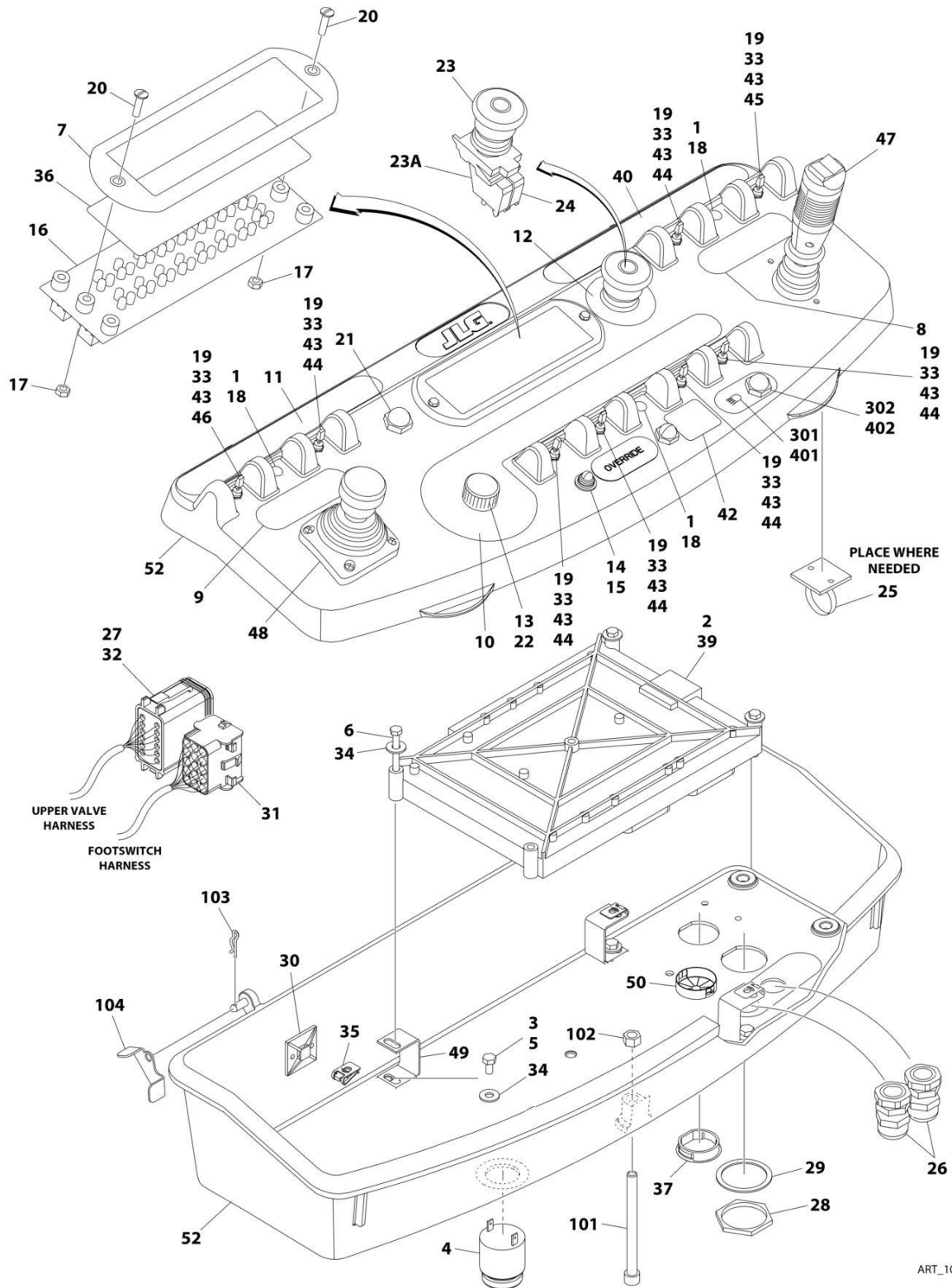
ITEM	PART NUMBER	QTY	DESCRIPTION	REV
	1001202568	Ref	CONSOLE ASSEMBLY - WITHOUT SKYGUARD (SN 0300219870 to Present)	C
1	0100009	AR	Sealant	
2	0100048	AR	Grease, Dielectric	
3	0100081	AR	Adhesive	
4	0140011	1	Alarm	
5	0641404	4	Bolt 1/4-20 x 1/2	
6	0700617	4	Bolt M6 x 45	
7	1671176	1	Bezel	
8	1702565	1	Decal - Drive and Steer	
9	1702566	1	Decal - Lift and Swing	
10	1702567	1	Decal - Function Speed	
11	1702676	1	Decal - Horn	
12	1704260	1	Decal - EMS	
13	2560136	1	Handle, Knob	
14	2920154	1	Panel, LED	
15	3311005	2	Nut #10-24	
16	3520028	4	Plug, Hole	
17	3520033	2	Plug, Hole (SN 0300200802 through 0300224043)	
17	1001220486	2	Plug, Hole (SN 0300224044 to Present)	
18	3520035	1	Plug, Cap	
19	3790012	8	O-Ring	
20	3911018	2	Bolt #10-24 x 1-1/8	
21	4360387	1	Switch, Pushbutton	
22	4360407	1	Controller, Speed	
22	4460224	1	Receptacle, Female - 6 Position	
22	4460226	1	Socket, Female	
22	See Note	NSS	Gasket "Top Hat" (Included with Switch) (Note: Not Available - Purchase Complete Controller)	
22	70003784	1	Seal	
23	4360475	1	Switch, Emergency Stop	
23	7020175	1	Cap, Red	
23A	7020176	1	Contact Block	
24	4360476	1	Block, Contact	
25	4460466	1	Seal, Plug (Not Shown)	
26	4460234	3	Base, Mounting	
27	4460428	2	Connector, Strain Relief	
28	4460470	1	Nut	
29	4460471	1	Washer	
30	4460488	1	Base, Mounting	
31	4460708	1	Receptacle, Female - 15 Position	
32	4460933	1	Plug, Male - 12 Position	
33	4740397	8	Washer	
34	4751400	8	Washer 1/4	
35	8305919	4	Retainer M6	
36	1001107952	1	Decal - Display	
37	1001110434	1	Plug, Hole	
38	1001117174	1	Footswitch Assembly (Not Shown - See CONSOLE AND FOOTSWITCH INSTALLATION for Breakdown)	
39	1001118412	1	Module, Platform (Note: Re-calibration Required when Replaced)	

SECTION 5 - PLATFORM

ITEM	PART NUMBER	QTY	DESCRIPTION	REV
40	1001118415	1	Platform Console Harness Assembly (Not Shown - See ELECTRICAL SECTION for Breakdown)	
41	1001131168	1	Decal - Stop	
42	1001140525	1	Platform to Boom Valves Harness Assembly (Not Shown - See ELECTRICAL SECTION for Breakdown)	
43	1001155044	8	Nut 15/32-32	
44	1001155045	6	Switch, Toggle	
45	1001159256	1	Switch, Toggle	
46	1001161709	1	Switch, Toggle	
47	1001166538	NLA	Drive/Steer Controller Assembly (Use p/n 1001212415) (See DRIVE/STEER CONTROLLER ASSEMBLY for Breakdown)	
48	1001166539	NLA	Lift/Swing Controller Assembly (Use p/n 1001129555) (See LIFT/SWING CONTROLLER ASSEMBLY for Breakdown)	
49	1001172760	4	Bracket	
50	1001201886	1	Box, Console (See Items 101-105 for Breakdown)	
	1001201886	Ref	CONSOLE BOX ASSEMBLY	B
101	0630568	1	Capscrew 3/8-16 x 4-1/2	
102	3311601	1	Nut 3/8-16	
103	3430616	2	Pin, Clevis	
104	3470003	2	Pin, Cotter	
105	4711600	2	Washer 3/8	

SECTION 5 - PLATFORM

FIGURE 5-17. CONSOLE ASSEMBLY WITHOUT LSS OR WITH 4 CELL LSS - WITH SKYGUARD (SN 0300200802 through 0300219869)



ART_1001190081

SECTION 5 - PLATFORM

FIGURE 5-17. CONSOLE ASSEMBLY WITHOUT LSS OR WITH 4 CELL LSS - WITH SKYGUARD (SN 0300200802 through 0300219869)

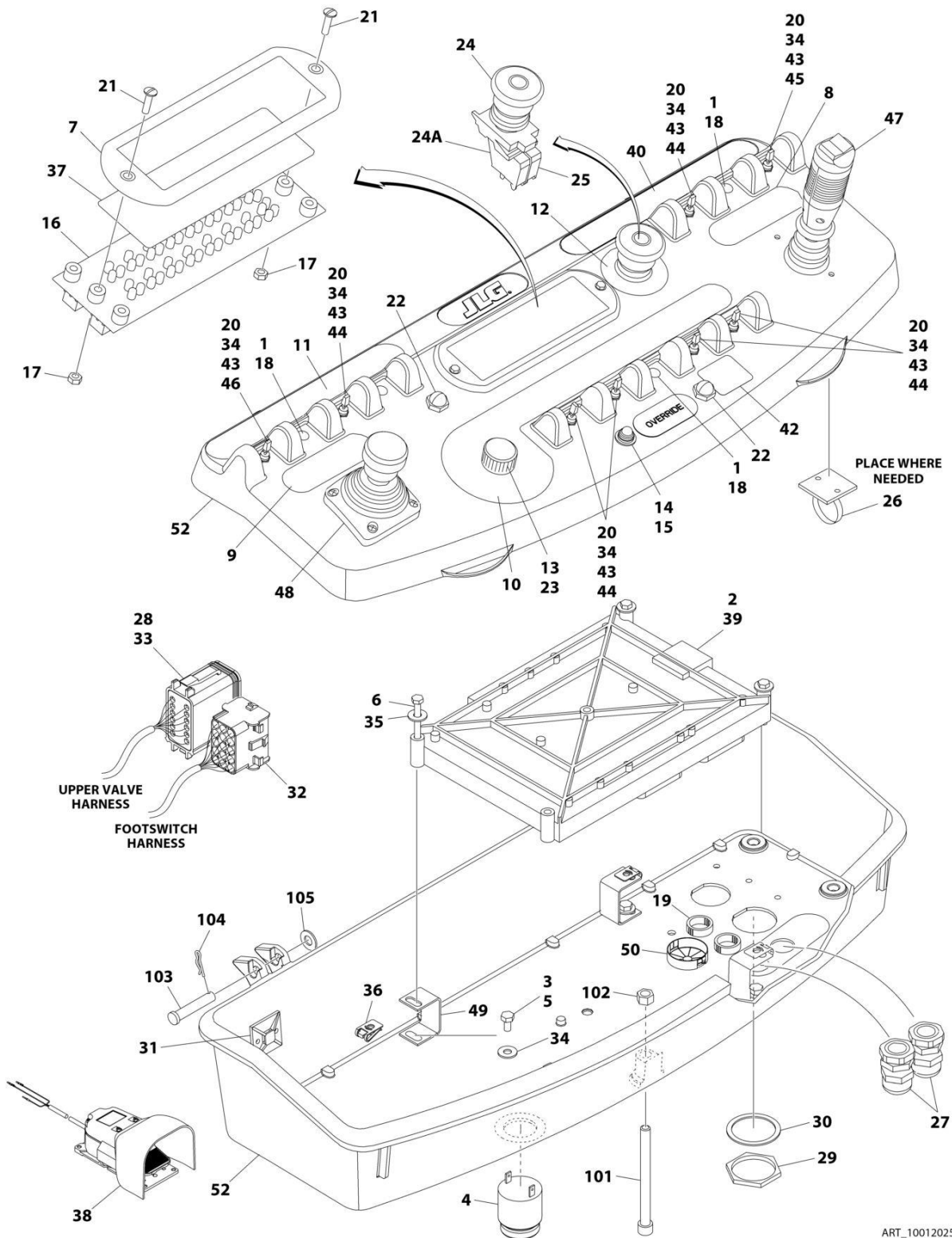
ITEM	PART NUMBER	QTY	DESCRIPTION	REV
	1001190081	Ref	CONSOLE ASSEMBLY WITHOUT LSS OR WITH 4 CELL LSS - WITH SKYGUARD (SN 0300200802 through 0300219869)	C
1	0100009	AR	Sealant	
2	0100048	AR	Grease, Dielectric	
3	0100081	AR	Adhesive	
4	0140011	1	Alarm	
5	0641404	4	Bolt 1/4 x 1/2	
6	0700617	4	Bolt M6 x 45	
7	1671176	1	Bezel	
8	1702565	1	Decal - Drive and Steer	
9	1702566	1	Decal - Lift and Swing	
10	1702567	1	Decal - Function Speed	
11	1702676	1	Decal - Horn	
12	1704260	1	Decal - EMS	
13	2560136	1	Handle, Knob	
14	2920028	1	Light, Indicator	
15	2920029	1	Bulb, Light	
16	2920154	1	Panel, LED	
17	3311005	2	Nut #10-24	
18	3520028	3	Plug, Hole	
19	3790012	8	O-Ring	
20	3911018	2	Bolt #10 x 1-1/8	
21	4360387	1	Switch, Pushbutton	
22	4360407	1	Controller, Speed	
22	4460224	1	Receptacle, Female - 6 Position	
22	4460226	1	Socket, Female	
22	See Note	NSS	Gasket "Top Hat" (Included with Switch) (Note: Not Available - Purchase Complete Controller)	
22	70003784	1	Seal	
23	4360475	1	Switch, Emergency Stop	
23	7020175	1	Cap, Red	
23A	7020176	1	Contact Block	
24	4360476	1	Block, Contact	
25	4460234	3	Base, Mounting	
26	4460428	2	Connector, Strain Relief	
27	4460466	7	Seal, Plug	
28	4460470	1	Nut	
29	4460471	1	Washer	
30	4460488	1	Base, Mounting	
31	4460708	1	Receptacle, Female - 15 Position	
32	4460933	1	Plug, Male - 12 Position	
33	4740397	8	Washer	
34	4751400	8	Washer 1/4	
35	8305919	4	Retainer M6	
36	1001107952	1	Decal - Display	
37	1001110434	1	Plug, Hole	
38	1001117174	1	Footswitch Assembly (Not Shown - See CONSOLE AND FOOTSWITCH INSTALLATION for Breakdown)	
39	1001118412	1	Module, Platform (Note: Re-calibration Required when Replaced)	

SECTION 5 - PLATFORM

ITEM	PART NUMBER	QTY	DESCRIPTION	REV
40	1001131168	1	Decal - Stop	
41	1001140525	1	Platform to Boom Valves Harness Assembly (Not Shown - See ELECTRICAL SECTION for Breakdown)	
42	1001144433	1	Decal - No Weight	
43	1001155044	8	Nut 15/32	
44	1001155045	6	Switch, Toggle	
45	1001159256	1	Switch, Toggle	
46	1001161709	1	Switch, Toggle	
47	1001166538	NLA	Drive/Steer Controller Assembly (Use p/n 1001212415) (See DRIVE/STEER CONTROLLER ASSEMBLY for Breakdown)	
48	1001166539	NLA	Lift/Swing Controller Assembly (Use p/n 1001129555) (See LIFT/SWING CONTROLLER ASSEMBLY for Breakdown)	
49	1001172760	4	Bracket	
50	1001185281	1	Plug	
51	1001186891	1	Platform Console Harness Assembly (Not Shown - See ELECTRICAL SECTION for Breakdown)	
52	1001190017	1	Box, Console (See Items 101-104 for Breakdown)	
	1001190017	Ref	CONSOLE BOX ASSEMBLY	D
101	0630568	1	Capscrew 3/8 x 4-1/2	
102	3311601	1	Nut 3/8	
103	3470003	2	Pin, Cotter	
104	1001200575	2	Bracket, Stop	
	1001120232	Ref	TURNTABLE FLOODLIGHTS SWITCH INSTALLATION	
301	1705170	1	Decal - Lights	
302	4360522	1	Switch, Push Button	
	1001149144	Ref	HEAD AND TAIL LIGHTS INSTALLATION	
401	1705170	1	Decal - Lights	
402	4360522	1	Switch, Push Button	

SECTION 5 - PLATFORM

FIGURE 5-18. CONSOLE ASSEMBLY WITHOUT LSS OR WITH 4 CELL LSS - WITH SKYGUARD (SN 0300219870 to Present)



ART_1001202566

SECTION 5 - PLATFORM

FIGURE 5-18. CONSOLE ASSEMBLY WITHOUT LSS OR WITH 4 CELL LSS - WITH SKYGUARD (SN 0300219870 to Present)

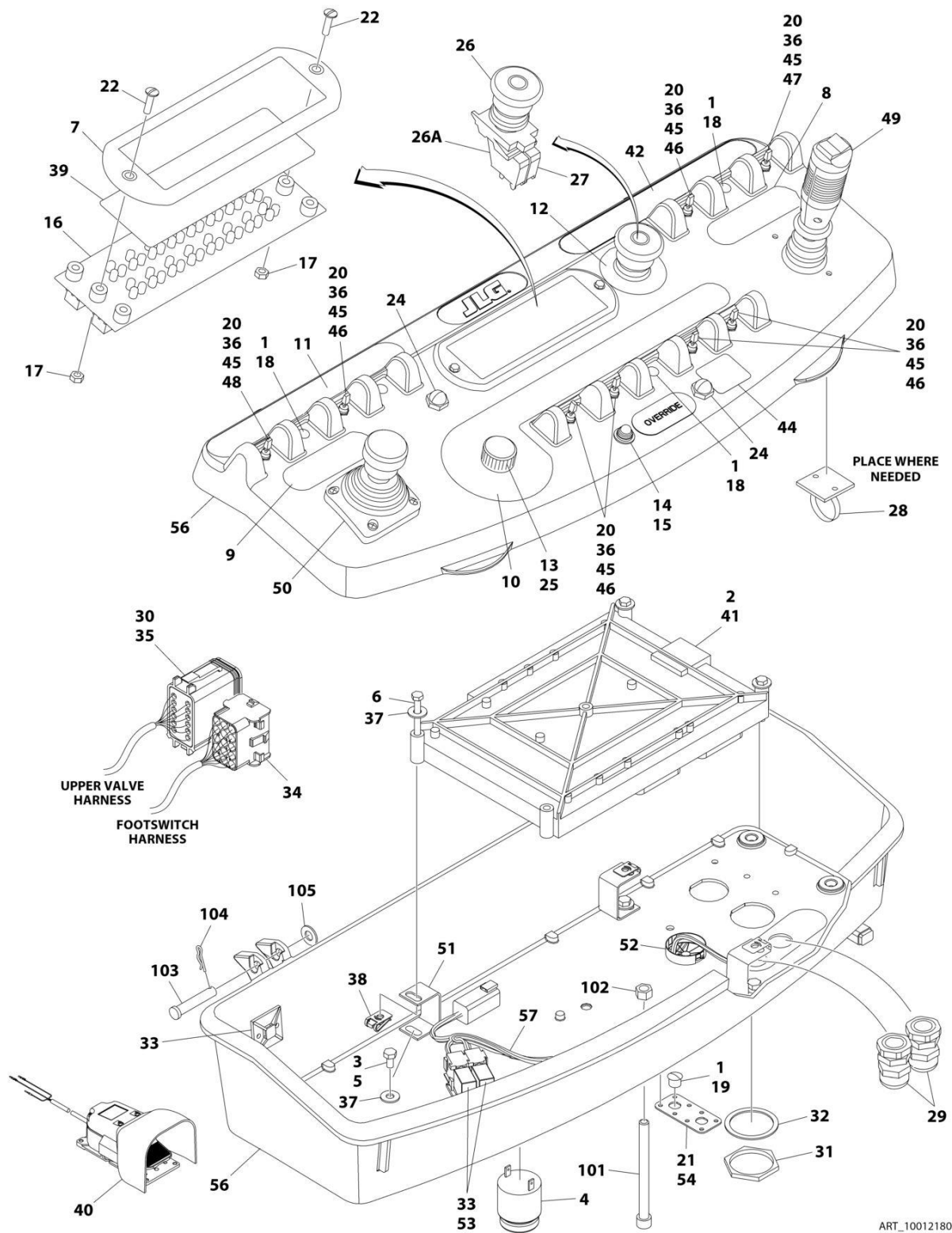
ITEM	PART NUMBER	QTY	DESCRIPTION	REV
	1001202566	Ref	CONSOLE ASSEMBLY WITHOUT LSS OR WITH 4 CELL LSS - WITH SKYGUARD (SN 0300219870 to Present)	C
1	0100009	AR	Sealant	
2	0100048	AR	Grease, Dielectric	
3	0100081	AR	Adhesive	
4	0140011	1	Alarm	
5	0641404	4	Bolt 1/4 x 1/2	
6	0700617	4	Bolt M6 x 45	
7	1671176	1	Bezel	
8	1702565	1	Decal - Drive and Steer	
9	1702566	1	Decal - Lift and Swing	
10	1702567	1	Decal - Function Speed	
11	1702676	1	Decal - Horn	
12	1704260	1	Decal - EMS	
13	2560136	1	Handle, Knob	
14	2920028	1	Light, Indicator	
15	2920029	1	Bulb, Light	
16	2920154	1	Panel, LED	
17	3311005	2	Nut #10-24	
18	3520028	4	Plug, Hole	
19	3520033	2	Plug, Hole (SN 0300200802 through 0300224043)	
19	1001220486	2	Plug, Hole (SN 0300224044 to Present)	
20	3790012	8	O-Ring	
21	3911018	2	Bolt #10 x 1-1/8	
22	4360387	2	Switch, Pushbutton	
23	4360407	1	Controller, Speed	
23	4460224	1	Receptacle, Female - 6 Position	
23	4460226	1	Socket, Female	
23	See Note	NSS	Gasket "Top Hat" (Included with Switch) (Note: Not Available - Purchase Complete Controller)	
23	70003784	1	Seal	
24	4360475	1	Switch, Emergency Stop	
24	7020175	1	Cap, Red	
24A	7020176	1	Contact Block	
25	4360476	1	Block, Contact	
26	4460234	3	Base, Mounting	
27	4460428	2	Connector, Strain Relief	
28	4460466	7	Seal, Plug	
29	4460470	1	Nut	
30	4460471	1	Washer	
31	4460488	1	Base, Mounting	
32	4460708	1	Receptacle, Female - 15 Position	
33	4460933	1	Plug, Male - 12 Position	
34	4740397	8	Washer	
35	4751400	8	Washer 1/4	
36	8305919	4	Retainer M6	
37	1001107952	1	Decal - Display	
38	1001117174	1	Footswitch Assembly (Not Shown - See CONSOLE AND FOOTSWITCH INSTALLATION for Breakdown)	

SECTION 5 - PLATFORM

ITEM	PART NUMBER	QTY	DESCRIPTION	REV
39	1001118412	1	Module, Platform (Note: Re-calibration Required when Replaced)	
40	1001131168	1	Decal - Stop	
41	1001140525	1	Platform to Boom Valves Harness Assembly (Not Shown - See ELECTRICAL SECTION for Breakdown)	
42	1001144433	1	Decal - No Weight	
43	1001155044	8	Nut 15/32	
44	1001155045	6	Switch, Toggle	
45	1001159256	1	Switch, Toggle	
46	1001161709	1	Switch, Toggle	
47	1001166538	NLA	Drive/Steer Controller Assembly (Use p/n 1001212415) (See DRIVE/STEER CONTROLLER ASSEMBLY for Breakdown)	
48	1001166539	NLA	Lift/Swing Controller Assembly (Use p/n 1001129555) (See LIFT/SWING CONTROLLER ASSEMBLY for Breakdown)	
49	1001172760	4	Bracket	
50	1001185281	1	Plug	
51	1001186891	1	Platform Console Harness Assembly (Not Shown - See ELECTRICAL SECTION for Breakdown)	
52	1001201887	1	Box, Console (See Items 101-105 for Breakdown)	
	1001201887	Ref	CONSOLE BOX ASSEMBLY	B
101	0630568	1	Capscrew 3/8 x 4-1/2	
102	3311601	1	Nut 3/8	
103	3430616	2	Pin, Clevis	
104	3470003	2	Pin, Cotter	
105	4711600	2	Washer 3/8	

SECTION 5 - PLATFORM

FIGURE 5-19. CONSOLE ASSEMBLY WITH 1 CELL LSS - WITH SKYGUARD (Prior to SN 0300257079)



ART_1001218067

SECTION 5 - PLATFORM

FIGURE 5-19. CONSOLE ASSEMBLY WITH 1 CELL LSS - WITH SKYGUARD (Prior to SN 0300257079)

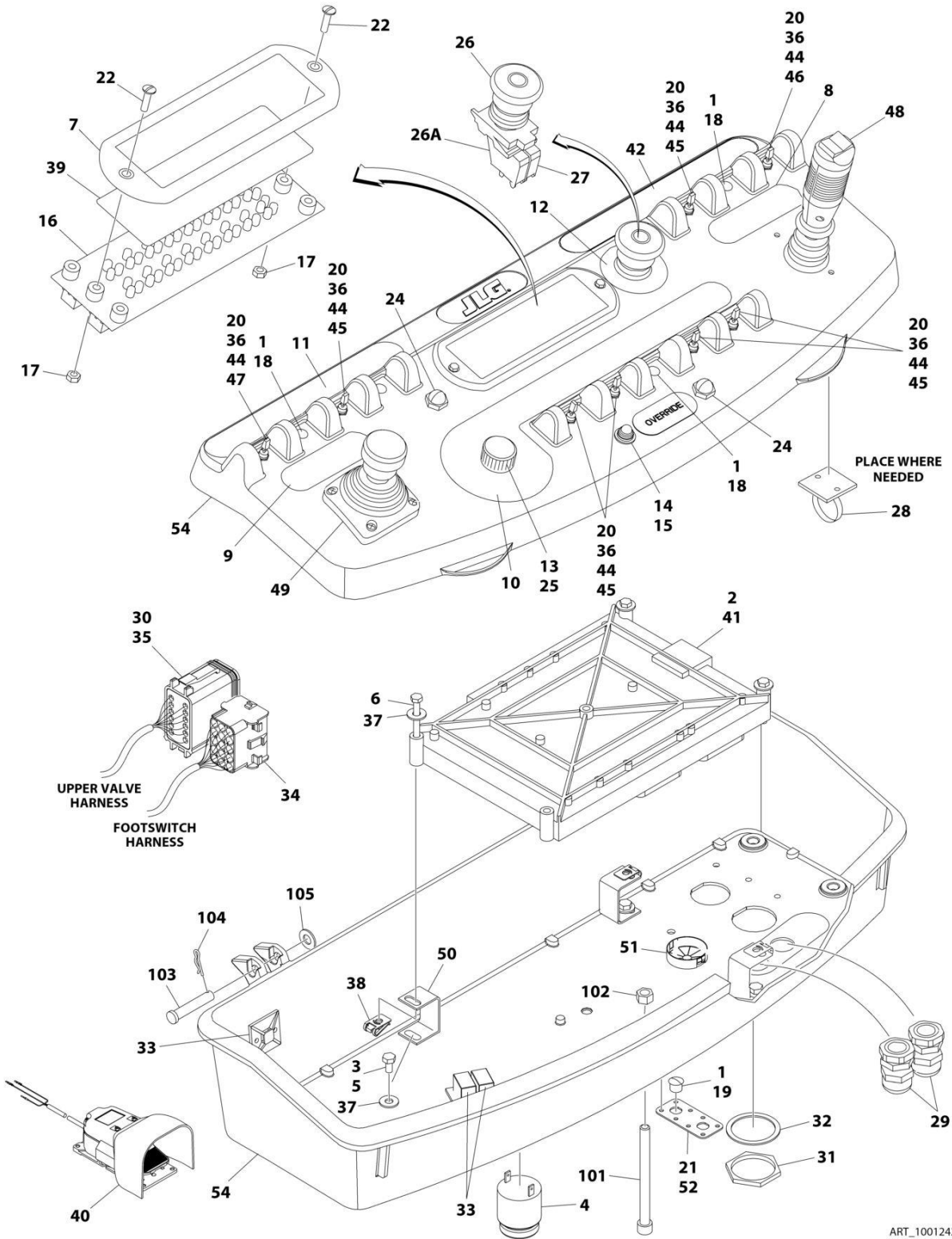
ITEM	PART NUMBER	QTY	DESCRIPTION	REV
	1001218067	Ref	CONSOLE ASSEMBLY WITH 1 CELL LSS - WITH SKYGUARD	D
1	0100009	AR	Sealant	
2	0100048	AR	Grease, Dielectric	
3	0100035	1	Compound, Locking	
4	0140011	1	Alarm	
5	0641404	4	Bolt 1/4 x 1/2	
6	0700617	4	Bolt M6 x 45	
7	1671176	1	Bezel	
8	1702565	1	Decal - Drive and Steer	
9	1702566	1	Decal - Lift and Swing	
10	1702567	1	Decal - Function Speed	
11	1702676	1	Decal - Horn	
12	1704260	1	Decal - EMS	
13	2560136	1	Handle, Knob	
14	2920028	1	Light, Indicator	
15	2920029	1	Bulb, Light	
16	2920154	1	Panel, LED	
17	3311005	2	Nut #10-24	
18	3520028	4	Plug, Hole	
19	3520054	1	Plug	
20	3790012	8	O-Ring	
21	3900349	8	Capscrew M2.5 x 8	
22	3911018	2	Screw #10 x 1-1/8	
23	4240032	AR	Tie-Strap (Not Shown)	
24	4360387	2	Switch, Push Button	
25	4360407	1	Controller, Speed	
25	4460224	1	Receptacle, Female - 6 Position	
25	4460226	1	Socket, Female	
25	See Note	NSS	Gasket "Top Hat" (Included with Switch) (Note: Not Available - Purchase Complete Controller)	
25	70003784	1	Seal	
26	4360475	1	Switch, Emergency Stop	
26	7020175	1	Cap, Red	
26A	7020176	1	Contact Block	
27	4360476	1	Block, Contact	
28	4460234	3	Base, Mounting	
29	4460428	2	Connector, Strain Relief	
30	4460466	7	Seal, Plug	
31	4460470	1	Nut	
32	4460471	1	Washer	
33	4460488	2	Base, Mounting	
34	4460708	1	Receptacle, Female - 15 Position	
35	4460933	1	Plug, Male - 12 Position	
36	4740397	8	Washer	
37	4751400	8	Washer 1/4	
38	8305919	4	Retainer M6	
39	1001107952	1	Decal - Display	
40	1001117174	1	Footswitch Assembly (Not Shown - See CONSOLE AND FOOTSWITCH INSTALLATION for Breakdown)	
41	1001118412	1	Module, Platform (Note: Re-calibration Required when Replaced)	

SECTION 5 - PLATFORM

ITEM	PART NUMBER	QTY	DESCRIPTION	REV
42	1001131168	1	Decal - Stop	
43	1001140525	1	Platform to Boom Valves Harness Assembly (Not Shown - See ELECTRICAL SECTION for Breakdown)	
44	1001144433	1	Decal - No Weight	
45	1001155044	8	Nut 15/32	
46	1001155045	6	Switch, Toggle	
47	1001159256	1	Switch, Toggle	
48	1001161709	1	Switch, Toggle	
49	1001166538	NLA	Drive/Steer Controller Assembly (Use p/n 1001212415) (See DRIVE/STEER CONTROLLER ASSEMBLY for Breakdown)	
50	1001166539	NLA	Lift/Swing Controller Assembly (Use p/n 1001129555) (See LIFT/SWING CONTROLLER ASSEMBLY for Breakdown)	
51	1001172760	4	Bracket	
52	1001185281	1	Plug	
53	1001186431	2	Relay	
54	1001213882	1	Mount, Connector	
55	1001217029	1	Platform Console Harness Assembly (Not Shown - See ELECTRICAL SECTION for Breakdown)	
56	1001218068	1	Box, Console (See Items 101-105 for Breakdown)	
57	1001225580	1	Generator to Platform Harness Assembly (See ELECTRICAL SECTION for Breakdown)	
	1001218068	Ref	CONSOLE BOX ASSEMBLY	C
101	0630568	1	Capscrew 3/8 x 4-1/2	
102	3311601	1	Nut 3/8	
103	3430616	2	Pin, Clevis	
104	3470003	2	Pin, Cotter	
105	4711600	2	Washer 3/8	

SECTION 5 - PLATFORM

FIGURE 5-20. CONSOLE ASSEMBLY WITH 1 CELL LSS - WITH SKYGUARD (SN 0300257079 to Present)



ART_1001242844

SECTION 5 - PLATFORM

FIGURE 5-20. CONSOLE ASSEMBLY WITH 1 CELL LSS - WITH SKYGUARD (SN 0300257079 to Present)

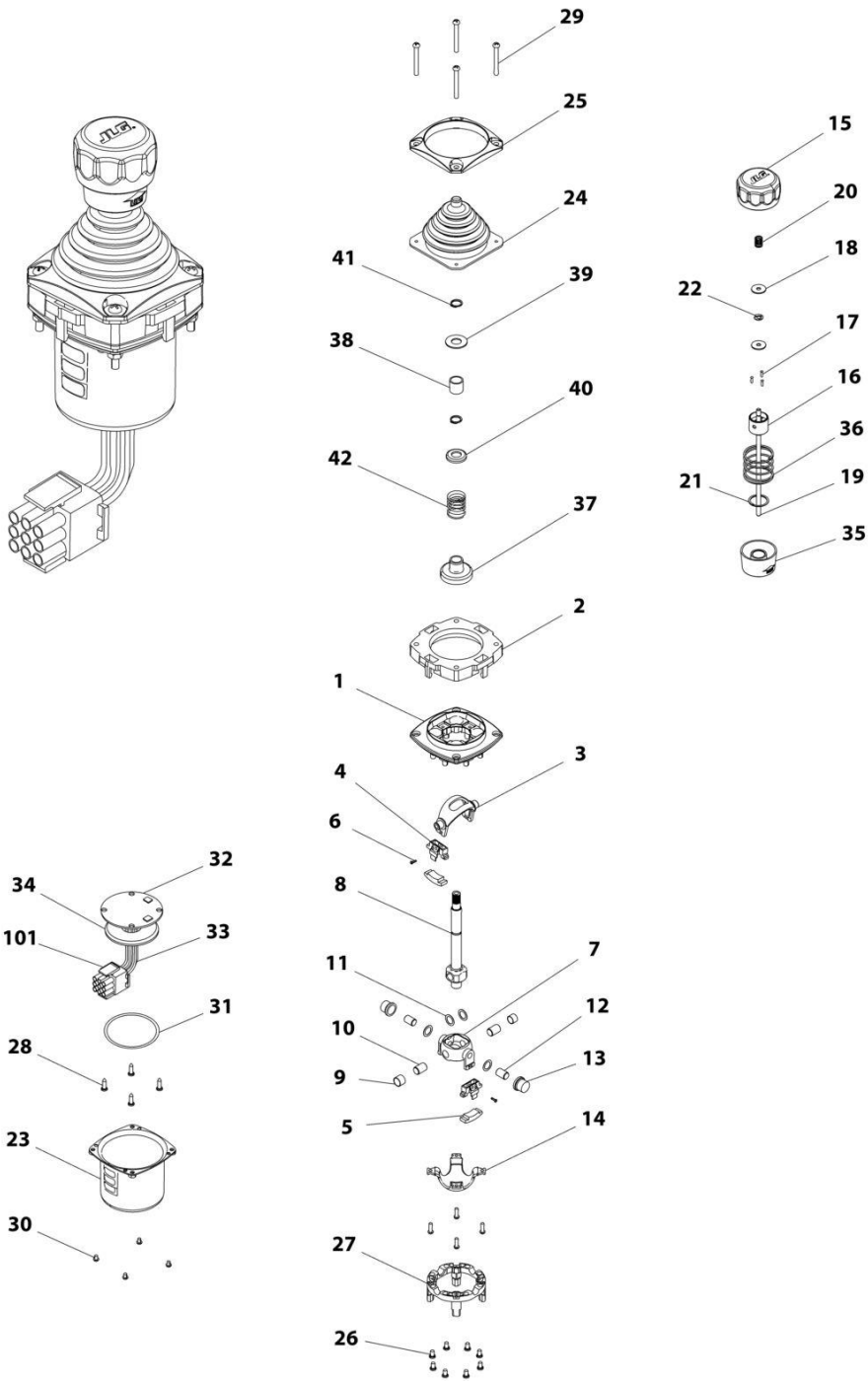
ITEM	PART NUMBER	QTY	DESCRIPTION	REV
	1001242844	Ref	CONSOLE ASSEMBLY WITH 1 CELL LSS - WITH SKYGUARD	C
1	0100009	AR	Sealant	
2	0100048	AR	Grease, Dielectric	
3	0100035	1	Compound, Locking	
4	0140011	1	Alarm	
5	0641404	4	Bolt 1/4 x 1/2	
6	0700617	4	Bolt M6 x 45	
7	1671176	1	Bezel	
8	1702565	1	Decal - Drive and Steer	
9	1702566	1	Decal - Lift and Swing	
10	1702567	1	Decal - Function Speed	
11	1702676	1	Decal - Horn	
12	1704260	1	Decal - EMS	
13	2560136	1	Handle, Knob	
14	2920028	1	Light, Indicator	
15	2920029	1	Bulb, Light	
16	2920154	1	Panel, LED	
17	3311005	2	Nut #10-24	
18	3520028	4	Plug, Hole	
19	3520054	1	Plug	
20	3790012	8	O-Ring	
21	3900349	8	Capscrew M2.5 x 8	
22	3911018	2	Screw #10 x 1-1/8	
23	4240032	AR	Tie-Strap (Not Shown)	
24	4360387	2	Switch, Push Button	
25	4360407	1	Controller, Speed	
25	4460224	1	Receptacle, Female - 6 Position	
25	4460226	1	Socket, Female	
25	See Note	NSS	Gasket "Top Hat" (Included with Switch) (Note: Not Available - Purchase Complete Controller)	
25	70003784	1	Seal	
26	4360475	1	Switch, Emergency Stop	
26	7020175	1	Cap, Red	
26A	7020176	1	Contact Block	
27	4360476	1	Block, Contact	
28	4460234	3	Base, Mounting	
29	4460428	2	Connector, Strain Relief	
30	4460466	7	Seal, Plug	
31	4460470	1	Nut	
32	4460471	1	Washer	
33	4460488	2	Base, Mounting	
34	4460708	1	Receptacle, Female - 15 Position	
35	4460933	1	Plug, Male - 12 Position	
36	4740397	8	Washer	
37	4751400	8	Washer 1/4	
38	8305919	4	Retainer M6	
39	1001107952	1	Decal - Display	
40	1001117174	1	Footswitch Assembly (Not Shown - See Separate Breakdown in this Section)	

SECTION 5 - PLATFORM

ITEM	PART NUMBER	QTY	DESCRIPTION	REV
41	1001118412	1	Module, Platform (Note: Re-calibration Required when Replaced)	
42	1001131168	1	Decal - Stop	
44	1001155044	8	Nut 15/32	
45	1001155045	6	Switch, Toggle	
46	1001159256	1	Switch, Toggle	
47	1001161709	1	Switch, Toggle	
48	1001166538	NLA	Drive/Steer Controller Assembly (Use p/n 1001212415) (See Separate Breakdown in this Section)	
49	1001166539	NLA	Lift/Swing Controller Assembly (Use p/n 1001129555) (See Separate Breakdown in this Section)	
50	1001172760	4	Bracket	
51	1001185281	1	Plug	
52	1001213882	1	Mount, Connector	
53	1001217029	1	Platform Console Harness Assembly (Not Shown - See Separate Breakdown in ELECTRICAL SECTION)	
54	1001218068	1	Box, Console (See Items 101-105 for Breakdown)	
55	1001140525	1	Harness, Platform to Boom (Not Shown - See Separate Breakdown in ELECTRICAL SECTION)	
	1001218068	Ref	CONSOLE BOX ASSEMBLY	C
101	0630568	1	Capscrew 3/8 x 4-1/2	
102	3311601	1	Nut 3/8	
103	3430616	2	Pin, Clevis	
104	3470003	2	Pin, Cotter	
105	4711600	2	Washer 3/8	

SECTION 5 - PLATFORM

FIGURE 5-21. LIFT/SWING CONTROLLER ASSEMBLY



ART_1001166539

SECTION 5 - PLATFORM

FIGURE 5-21. LIFT/SWING CONTROLLER ASSEMBLY

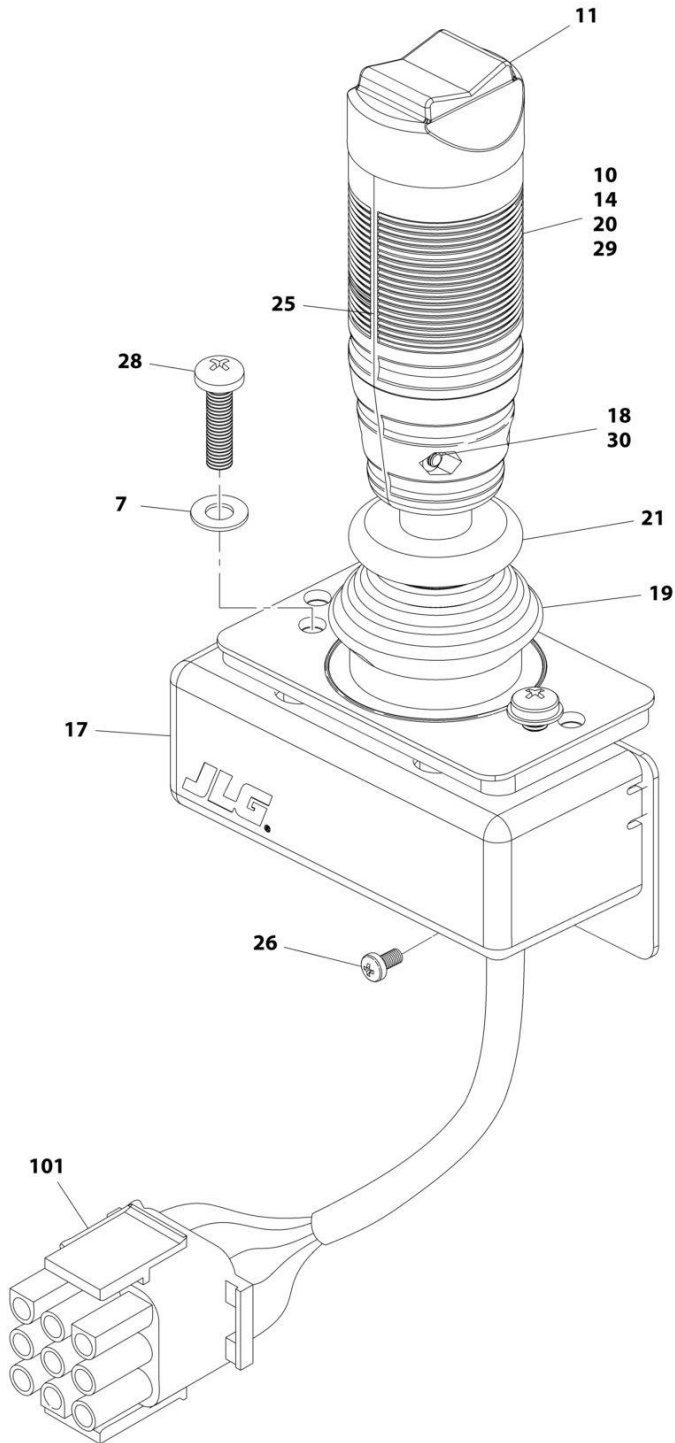
ITEM	PART NUMBER	QTY	DESCRIPTION	REV
	1001166539	Ref	LIFT/SWING CONTROLLER ASSEMBLY	D
		Ref	Note: Use p/n 1001129555 as replacement.	
1	See Note	1	Main Cast Body (Note: Not Available - Purchase Complete Assembly)	
2	70004752	1	Adapter	
3	See Note	1	Pivot Arm, Plastic (Note: Not Available - Purchase Complete Assembly)	
4	See Note	2	Holder, Magnet (Note: Not Available - Purchase Complete Assembly)	
5	See Note	2	Arc, Magnet (Note: Not Available - Purchase Complete Assembly)	
6	See Note	2	Screw (Note: Not Available for Purchase)	
7	See Note	1	Pivot Arm, Cast (Note: Not Available - Purchase Complete Assembly)	
8	See Note	1	Shaft, Main (Note: Not Available - Purchase Complete Assembly)	
9	See Note	2	Bearing (Note: Not Available - Purchase Complete Assembly)	
10	See Note	2	Pin (Note: Not Available - Purchase Complete Assembly)	
11	See Note	4	Shim (Note: Not Available - Purchase Complete Assembly)	
12	See Note	2	Pin (Note: Not Available - Purchase Complete Assembly)	
13	See Note	2	Bearing (Note: Not Available - Purchase Complete Assembly)	
14	See Note	1	Dome, Centering (Note: Not Available - Purchase Complete Assembly)	
15	70004753	1	Cap	
16	70004754	1	Insert, Cap	
17	70004755	3	Pin	
18	70004756	2	Washer	
19	70004757	1	Pin, Centering	
20	70004758	1	Spring	
21	70004759	1	Ring, Retaining	
22	70004760	1	E-Ring	
23	70004761	1	Can, Enclosure	
24	70004762	1	Boot	
25	70004763	1	Bezel	
26	See Note	8	Screw (Note: Not Available for Purchase)	
27	See Note	1	Base Mounting (Note: Not Available - Purchase Complete Assembly)	
28	See Note	4	Screw (Note: Not Available for Purchase)	
29	70004764	4	Screw	
30	70004765	4	Screw	
31	70004766	1	O-Ring	
32	See Note	1	Plate (Note: Not Available - Purchase Complete Assembly)	
33	See Note	1	Harness (Note: Not Available - Purchase Complete Assembly)	
34	70004767	1	Grommet, Rubber	
35	70004768	1	Housing	
36	70004769	1	Spring	
37	70004770	1	Stopper	
38	70004771	1	Spacer	
39	70004772	1	Washer	
40	70004773	1	Disc	
41	70004774	2	Ring, Retaining	
42	70004775	1	Spring	

SECTION 5 - PLATFORM

ITEM	PART NUMBER	QTY	DESCRIPTION	REV
101	4460265	1	Connector - 9 Position	
101	4460226	6	Socket, Female	

SECTION 5 - PLATFORM

FIGURE 5-22. DRIVE/STEER CONTROLLER ASSEMBLY



ART_1001166538

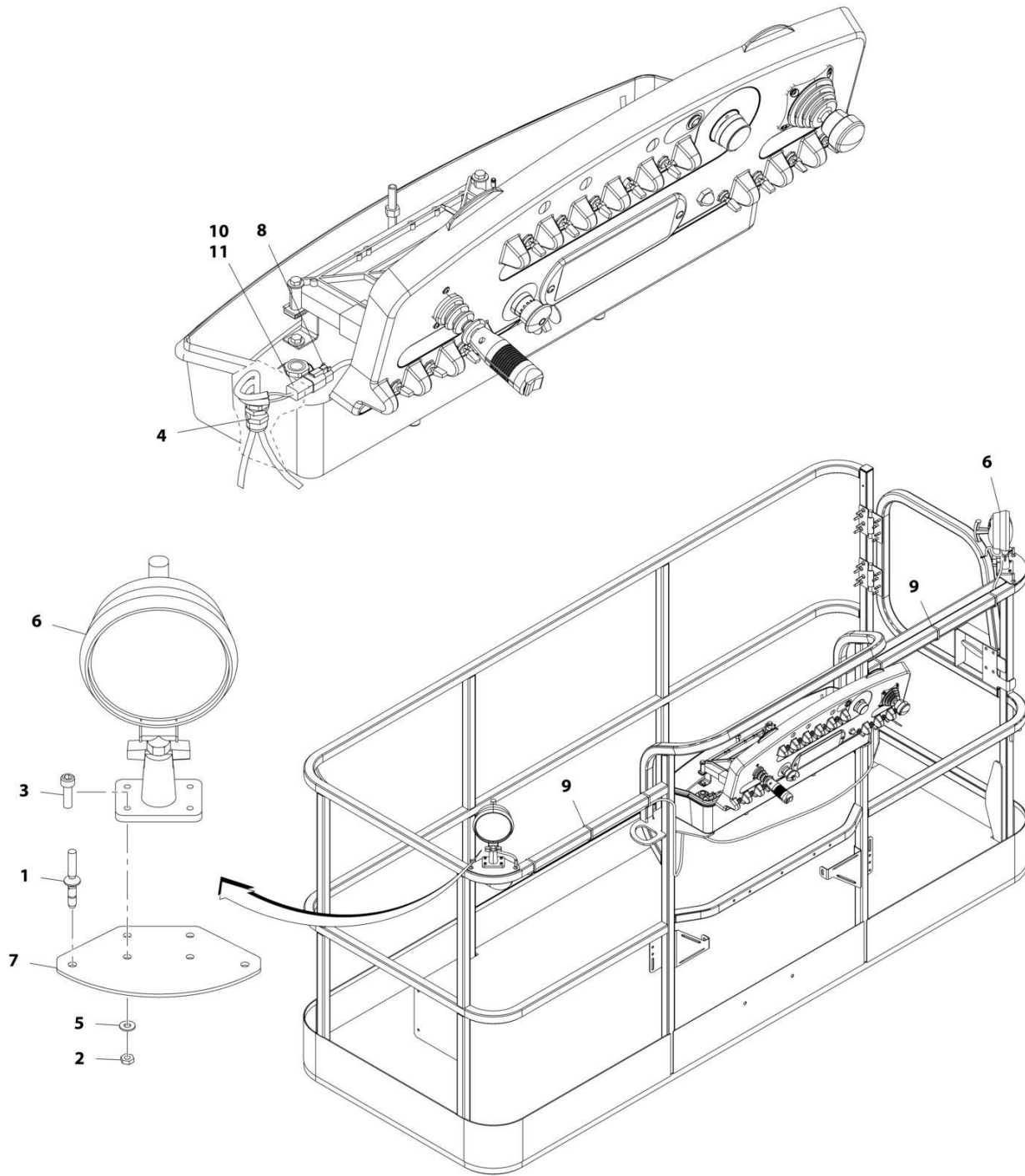
SECTION 5 - PLATFORM

FIGURE 5-22. DRIVE/STEER CONTROLLER ASSEMBLY

ITEM	PART NUMBER	QTY	DESCRIPTION	REV
	1001166538	Ref	DRIVE/STEER CONTROLLER ASSEMBLY	G
		Ref	Note: Use p/n 1001212415 Kit as Replacement.	
7	70004738	2	Washer	
10	70004739	1	Roller	
11	70004740	1	Boot, Switch	
14	70004741	2	Half, Handle	
17	70004742	1	Enclosure	
18	70004743	4	Nut	
19	70004744	NLA	Boot, Controller (Use p/n 70005230 Boot/Base Assembly)	
20	70004745	NLA	Tube, Locking (Use p/n 70005230 Boot/Base Assembly)	
21	70004746	NLA	Disc, Locking (Use p/n 70005230 Boot/Base Assembly)	
25	70004747	2	Seal, Rope	
26	70004748	1	Screw M3 x 6	
28	70004749	2	Screw M5 x 20	
29	70004750	1	Pin, Dowel	
30	70004751	4	Screw M3 x 16	
101	4460265	1	Connector - 9 Position	
101	4460226	7	Socket, Female	

SECTION 5 - PLATFORM

FIGURE 5-23. WORKLIGHTS INSTALLATION (OPTIONAL)



ART_1001120466

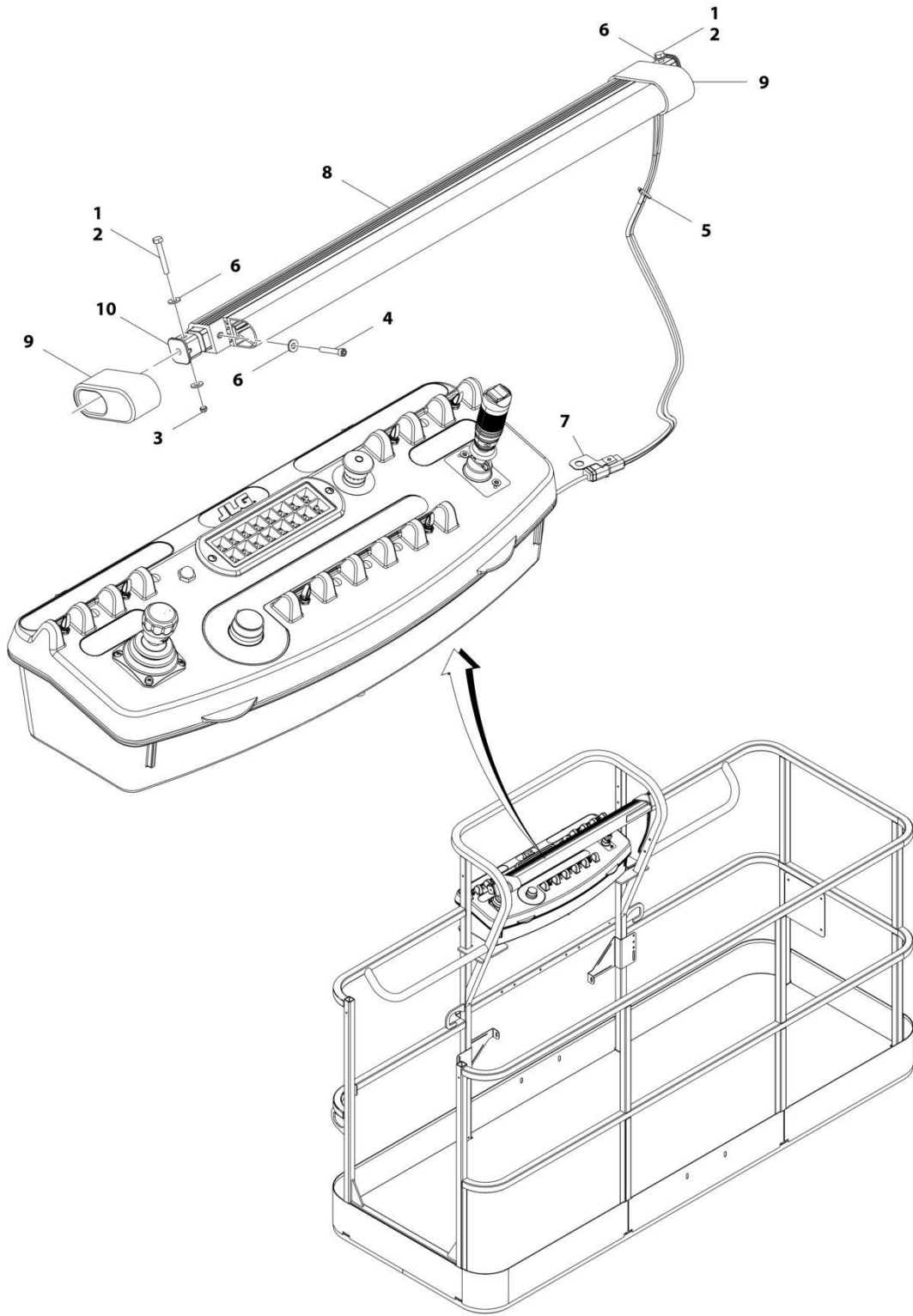
SECTION 5 - PLATFORM

FIGURE 5-23. WORKLIGHTS INSTALLATION (OPTIONAL)

ITEM	PART NUMBER	QTY	DESCRIPTION	REV
	1001120466	Ref	WORKLIGHTS INSTALLATION (OPTIONAL)	A
1	2080040	4	Fastener, Huck	
2	3311005	8	Nut #10-24	
3	3931010	8	Capscrew #10-24 x 5/8	
4	4460428	1	Connector, Strain Relief	
5	4751000	8	Washer #10	
6	1001120474	2	Worklight Assembly	
7	1001120476	2	Plate, Mounting	
8	1001120484	1	Harness, Worklight	
9	4240099	AR	Tie-Strap	
10	4460464	4	Pin, Male Deutsch 16Ga	
11	4460932	1	Receptacle, Female - 4 Position	

SECTION 5 - PLATFORM

FIGURE 5-24. SKYGUARD BAR INSTALLATION (Prior to SN 0300257079)



ART_1001187508

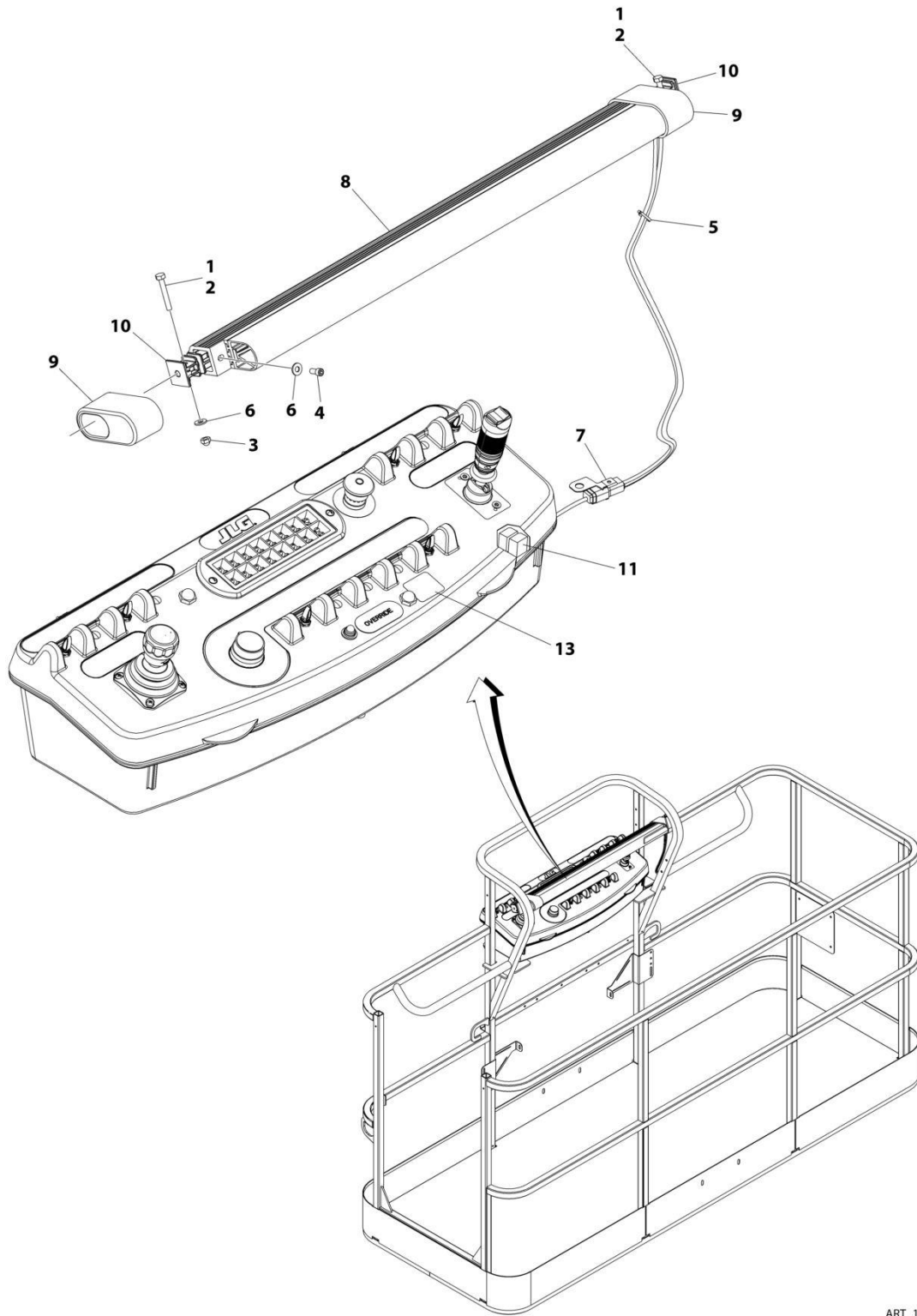
SECTION 5 - PLATFORM

FIGURE 5-24. SKYGUARD BAR INSTALLATION (Prior to SN 0300257079)

ITEM	PART NUMBER	QTY	DESCRIPTION	REV
	1001187508	Ref	SKYGUARD SYSTEM INSTALLATION	C
1	0100011	AR	Compound, Locking	
2	0641414	2	Bolt 1/4 x 1-3/4	
3	3300430	2	Nut 1/4	
4	3931424	2	Capscrew 1/4 x 1-1/2 (Prior to SN 0300246422)	
4	3931408	2	Capscrew 1/4 x 1/2 (SN 0300246422 through 0300257078)	
5	4240033	AR	Tie-Strap	
6	4711400	AR	Washer 1/4	
7	1001120328	1	Mount	
8	1001137673	1	SkyGuard Switch Assembly	
9	1001186517	2	Cover, Platform Sensor	
10	1001188889	2	Support, Block (Prior to SN 0300246422)	
10	1001209664	2	Support, Block (SN 0300246422 through 0300257078)	

SECTION 5 - PLATFORM

FIGURE 5-25. SKYGUARD BAR INSTALLATION (SN 0300257079 to Present)



ART_1001238495

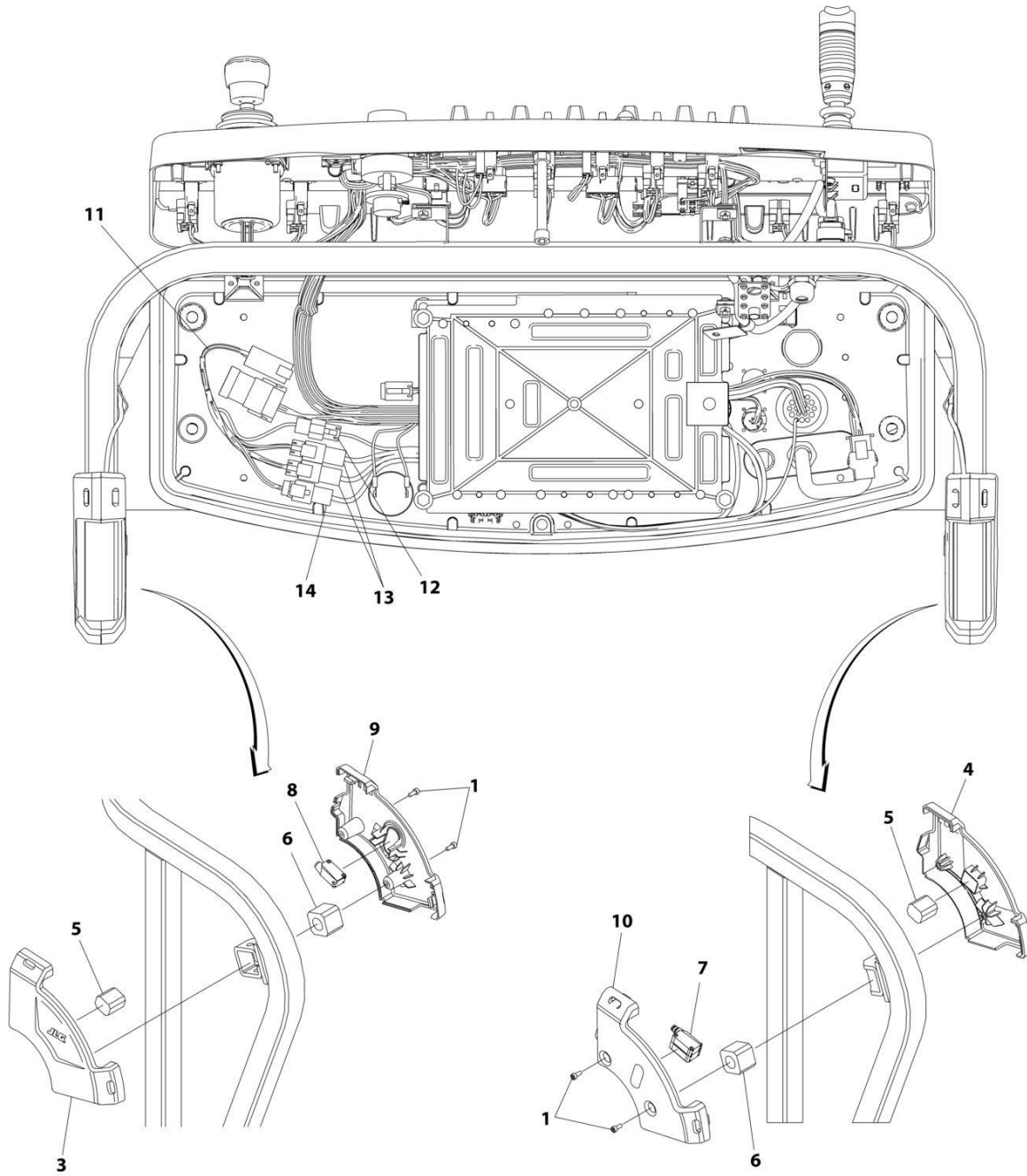
SECTION 5 - PLATFORM

FIGURE 5-25. SKYGUARD BAR INSTALLATION (SN 0300257079 to Present)

ITEM	PART NUMBER	QTY	DESCRIPTION	REV
	1001238495	Ref	SKYGUARD BAR INSTALLATION	A
1	0100011	AR	Compound, Locking	
2	0641414	2	Bolt 1/4 x 1-3/4	
3	3300430	2	Nut 1/4	
4	3931408	2	Capscrew 1/4 x 1/2	
5	4240033	8	Tie-Strap	
6	4711400	6	Washer 1/4	
7	1001120328	1	Mount	
8	1001137673	1	SkyGuard Switch Assembly	
9	1001186517	2	Cover, Platform Sensor	
10	1001209664	2	Support, Block	
11	1001186431	2	Relay	
12	1001225580	1	Interface Harness Assembly (Not Shown - Located Inside Console Box) (See Separate Breakdown in ELECTRICAL SECTION)	
13	1001144433	1	Decal - No Weight SkyGuard	

SECTION 5 - PLATFORM

FIGURE 5-26. SKYEYE INSTALLATION



ART_1001229341

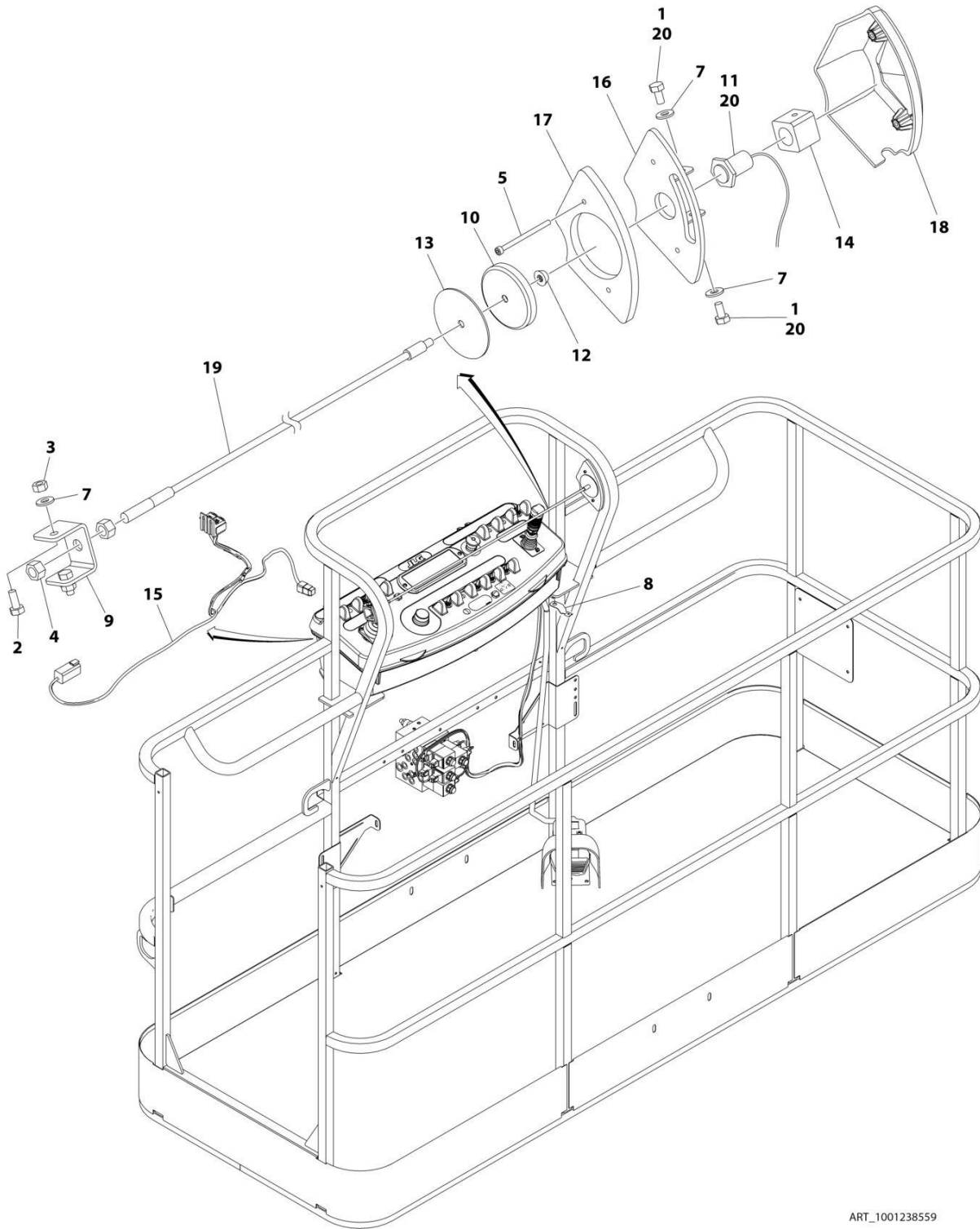
SECTION 5 - PLATFORM

FIGURE 5-26. SKYEYE INSTALLATION

ITEM	PART NUMBER	QTY	DESCRIPTION	REV
	1001229341	Ref	SKYEYE INSTALLATION	A
1	4031505	4	Bolt M4 x 10	
2	4240033	AR	Tie-Strap (Not Shown)	
3	1001227633	1	Housing, LH Outer	
4	1001227634	1	Housing, RH Outer	
5	1001227985	2	Shim	
6	1001227987	2	Shim	
7	1001228224	2	Sensor, Receiver	
8	1001228225	1	Sensor, Emitter	
9	1001232164	1	Housing, LH Inner	
10	1001232165	1	Housing, RH Inner	
11	1001237865	1	Harness, Skyeeye Intermediate (See Separate Breakdown in ELECTRICAL SECTION)	
12	1001238319	1	Harness, Skyeeye Drain Jumper	
12	1001187674	1	Plug, Male - 2 Position	
12	4460942	1	Terminal	
12	4460466	1	Plug, Terminal	
12	4460508	1	Pin, Male	
13	1001237863	2	Harness, Skyeeye Receiver (See Separate Breakdown in ELECTRICAL SECTION)	
14	1001237864	1	Harness, Skyeeye Emitter (See Separate Breakdown in ELECTRICAL SECTION)	

SECTION 5 - PLATFORM

FIGURE 5-27. SKYLINE INSTALLATION



ART_1001238559

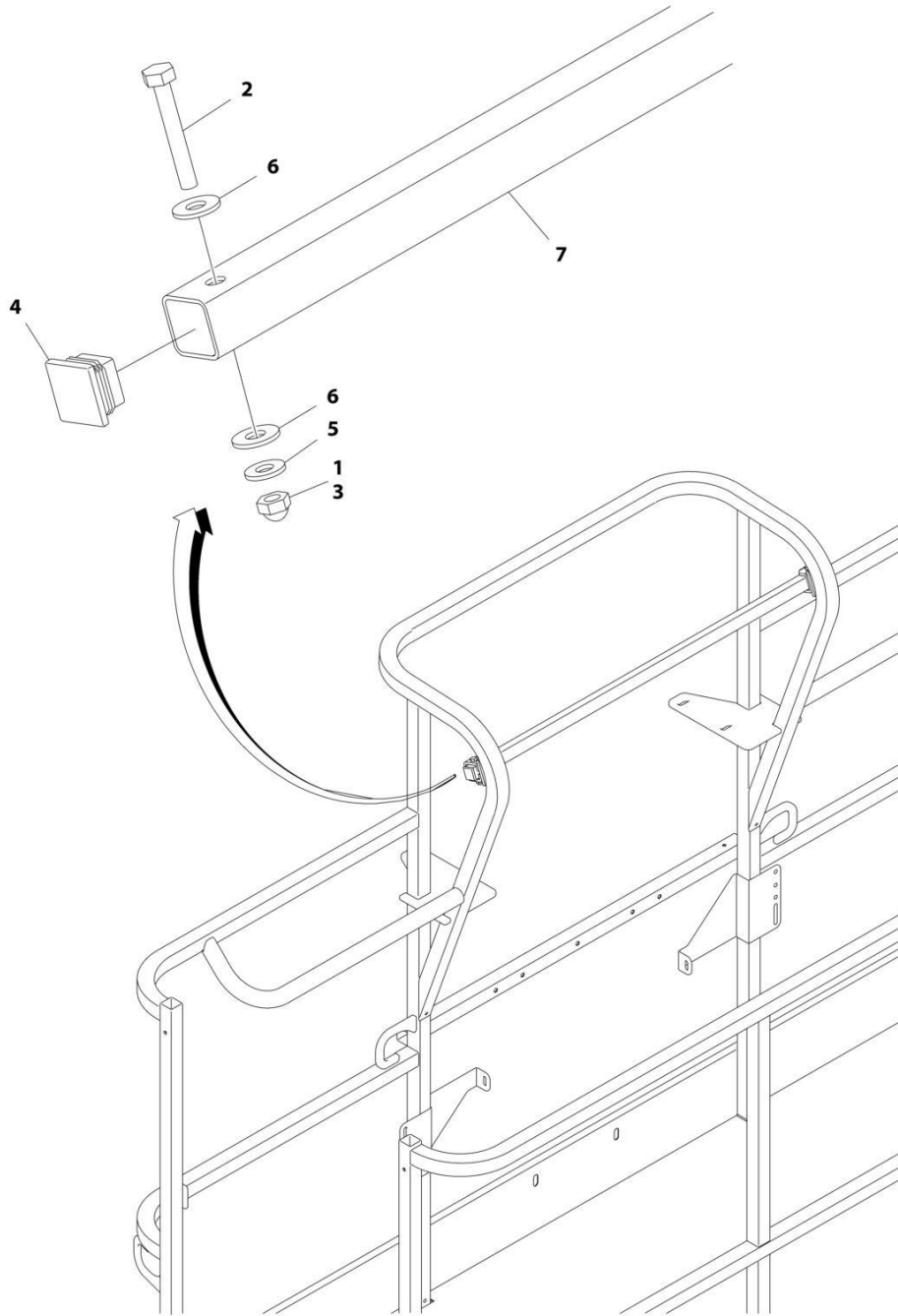
SECTION 5 - PLATFORM

FIGURE 5-27. SKYLINE INSTALLATION

ITEM	PART NUMBER	QTY	DESCRIPTION	REV
	1001238559	Ref	SKYLINE INSTALLATION	B
1	0641404	2	Bolt 1/4 x 1/2	
2	0641405	2	Bolt 1/4 x 5/8	
3	3311405	2	Nut 1/4	
4	3311601	2	Nut 3/8	
5	4031516	2	Capscrew M4 x 60	
6	4240033	AR	Tie-Strap (Not Shown)	
7	4711400	4	Washer 1/4	
8	1001120328	1	Mount	
9	1001232642	1	Bracket	
10	1001232650	1	Magnet	
11	1001232667	1	Sensor, Proximity	
12	1001235011	1	Nut	
13	1001235013	1	Washer	
14	1001236552	1	Block	
15	1001238418	1	Harness, Skyline (See Separate Breakdown in ELECTRICAL SECTION)	
16	1001238472	1	Mount	
17	1001238477	1	Housing, LH	
18	1001241965	1	Housing, RH	
19	1001238824	1	Rope	
20	0100011	AR	Compound, Locking	

SECTION 5 - PLATFORM

FIGURE 5-28. CROSS RAIL INSTALLATION



ART_1001182138

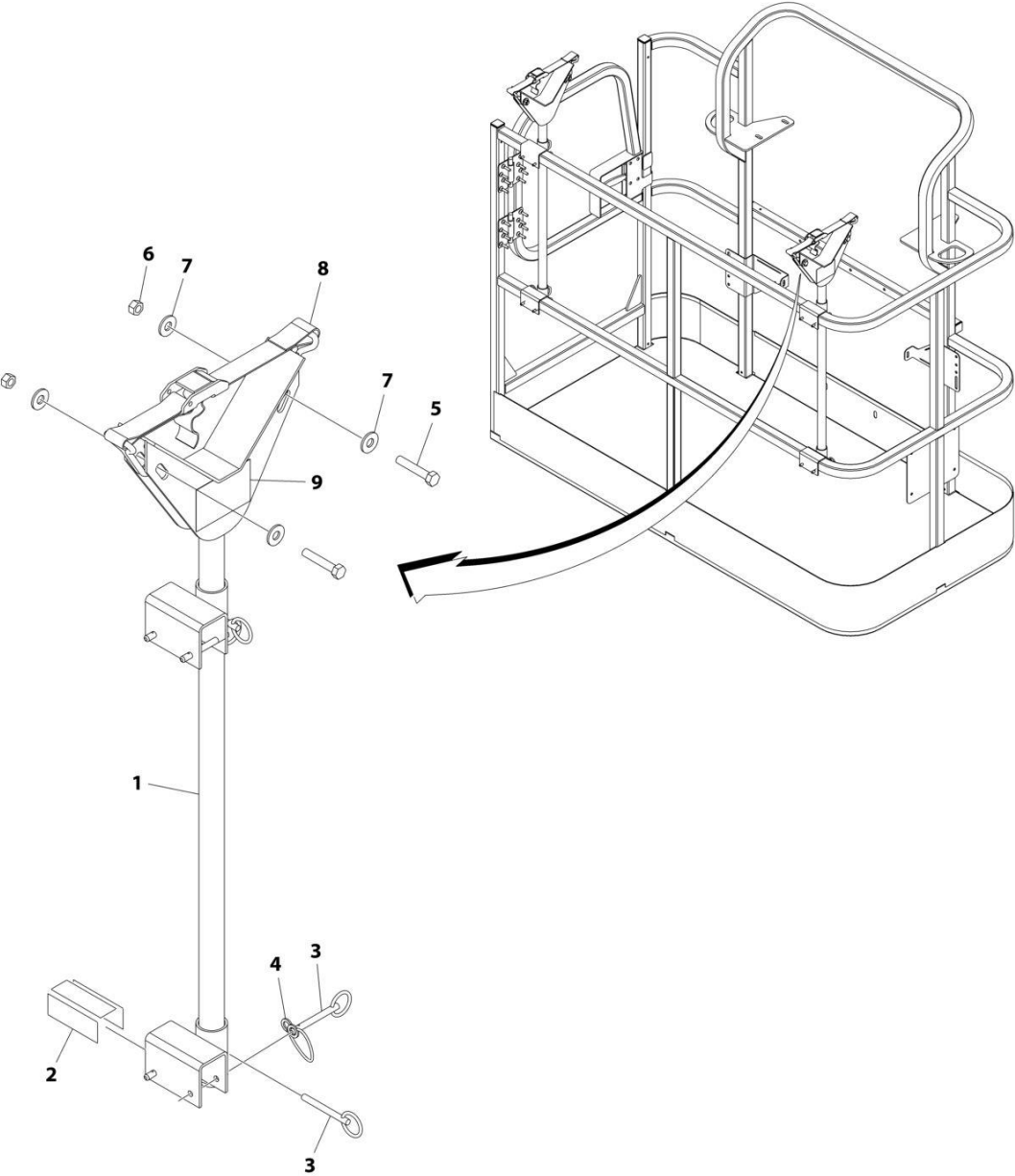
SECTION 5 - PLATFORM

FIGURE 5-28. CROSS RAIL INSTALLATION

ITEM	PART NUMBER	QTY	DESCRIPTION	REV
	1001182138	Ref	CROSS RAIL INSTALLATION	A
1	0100071	AR	Compound, Locking	
2	0641414	2	Bolt 1/4 x 1-3/4	
3	3300430	2	Nut 1/4	
4	3520182	2	Plug	
5	4711400	2	Washer 1/4	
6	4751400	4	Washer 1/4	
7	1001191708	1	Bar	

SECTION 5 - PLATFORM

FIGURE 5-29. PIPE RACK INSTALLATION (AUSTRALIAN SPEC)



ART_0274661

SECTION 5 - PLATFORM

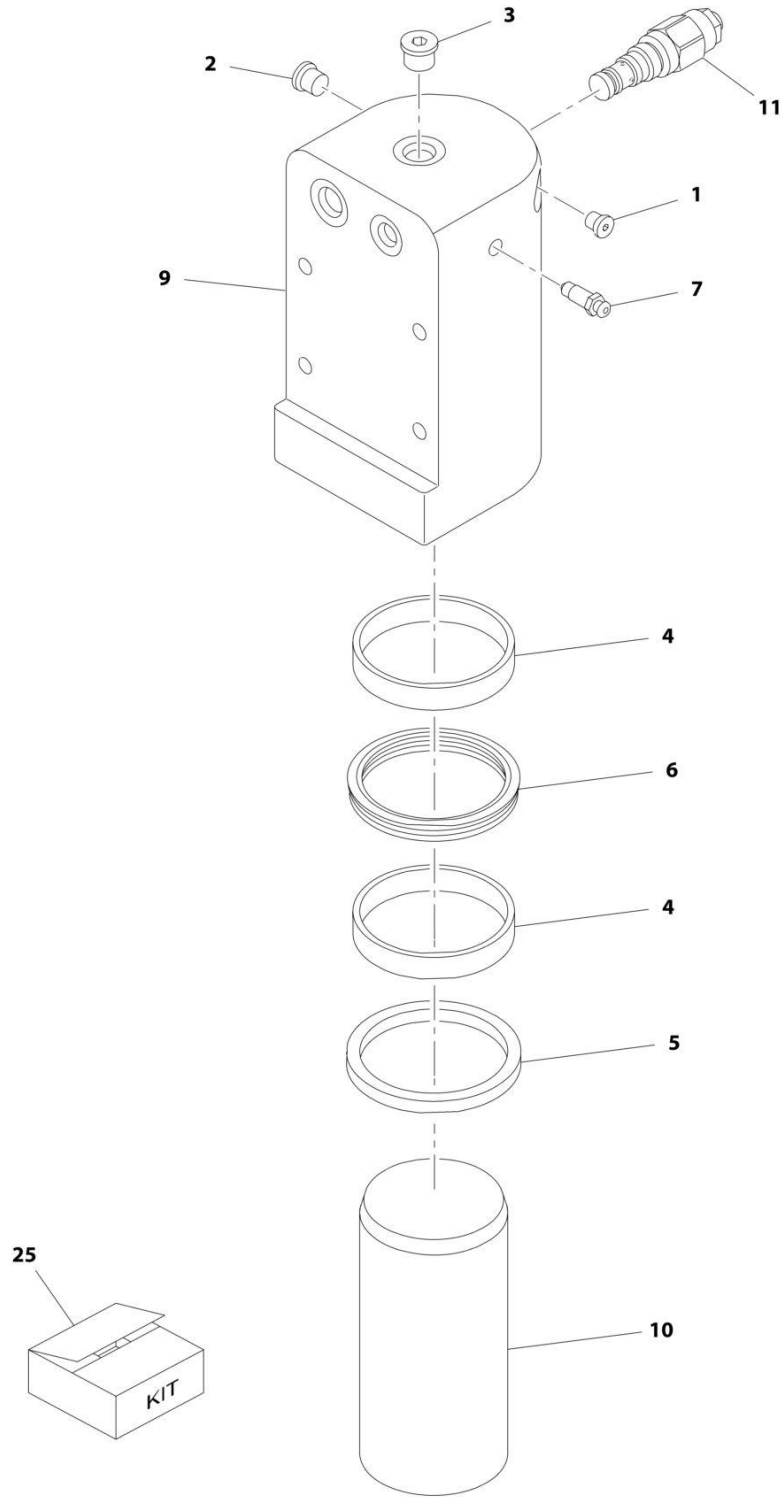
FIGURE 5-29. PIPE RACK INSTALLATION (AUSTRALIAN SPEC)

ITEM	PART NUMBER	QTY	DESCRIPTION	REV
	0274661	Ref	PIPE RACK INSTALLATION (AUSTRALIAN SPEC)	1/A
1	4845582	2	Rack, Pipe	
2	4420062	AR	Tape	
3	3422661	10	Pin	
4	1060379	4	Lanyard	
5	0641514	4	Bolt 5/16 x 1-3/4	
6	3311505	4	Nut 5/16	
7	4751500	8	Washer 5/16	
8	0480100	2	Tie-Down	
9	1706510	2	Decal - Capacity	

SECTION 6 - CYLINDER

SECTION 6 - CYLINDER

FIGURE 6-1. AXLE LOCKOUT CYLINDER ASSEMBLY



ART_1001116361

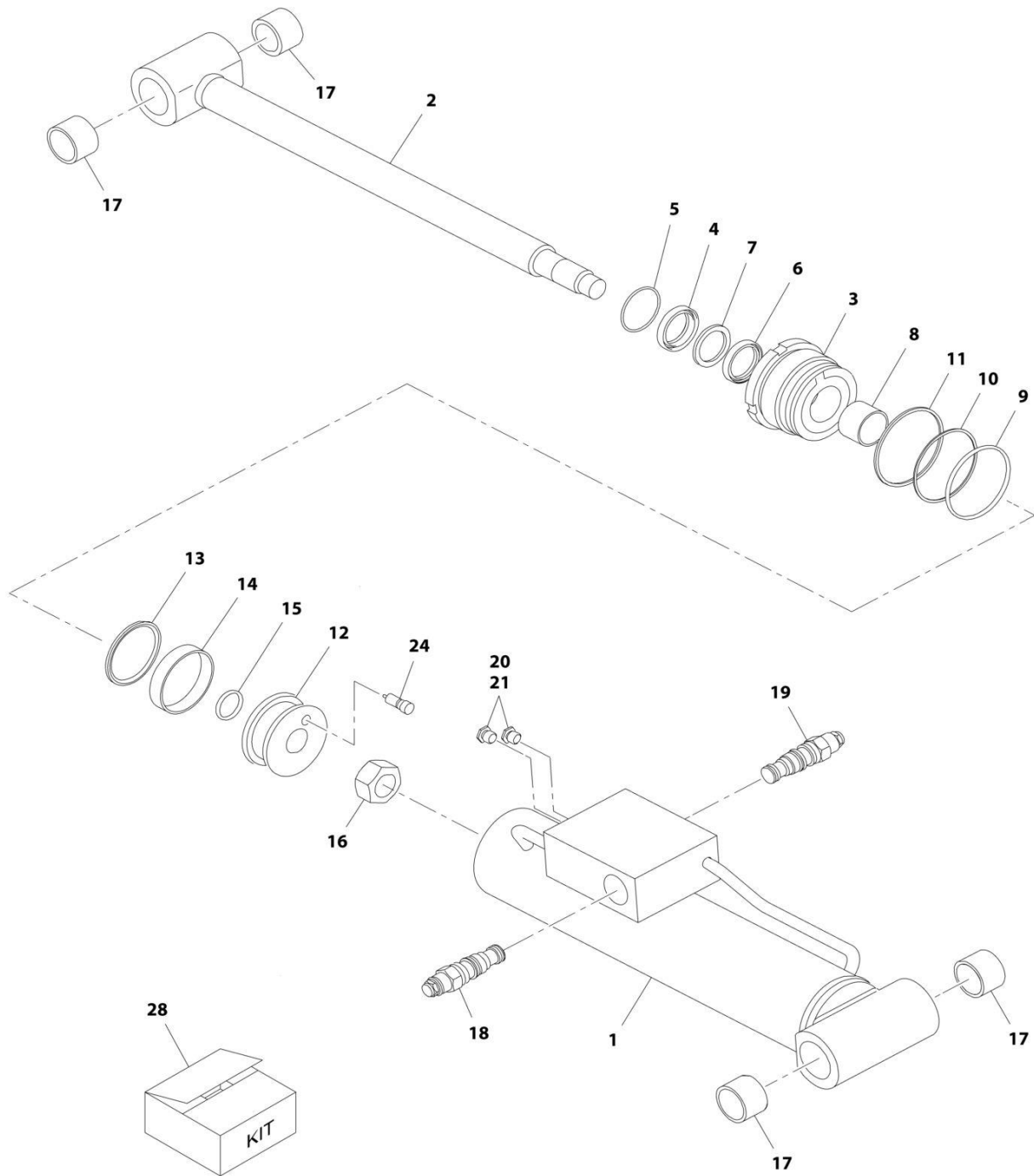
SECTION 6 - CYLINDER

FIGURE 6-1. AXLE LOCKOUT CYLINDER ASSEMBLY

ITEM	PART NUMBER	QTY	DESCRIPTION	REV
	1001116361	Ref	AXLE LOCKOUT CYLINDER ASSEMBLY	E
1	2220881	1	Plug, O-Ring	
2	2220883	1	Plug, O-Ring	
3	2220885	1	Plug, O-Ring	
4	See Note	NSS	Ring, Wear (Note: Use Item 25)	
5	See Note	NSS	Wiper (Note: Use Item 25)	
6	See Note	NSS	Seal, Rod (Note: Use Item 25)	
7	4640858	1	Bleeder	
9	1001117365	1	Barrel	
10	1001117366	1	Rod	
11	1001117372	1	Cartridge, Valve	
11	70002842	1	Seal Kit - 1001117372 Valve	
25	1001116378	1	Seal Kit (Includes Items 4-6)	

SECTION 6 - CYLINDER

FIGURE 6-2. LEVEL (PLATFORM SLAVE) CYLINDER ASSEMBLY (Prior to SN 0300238046)



ART_1001117375

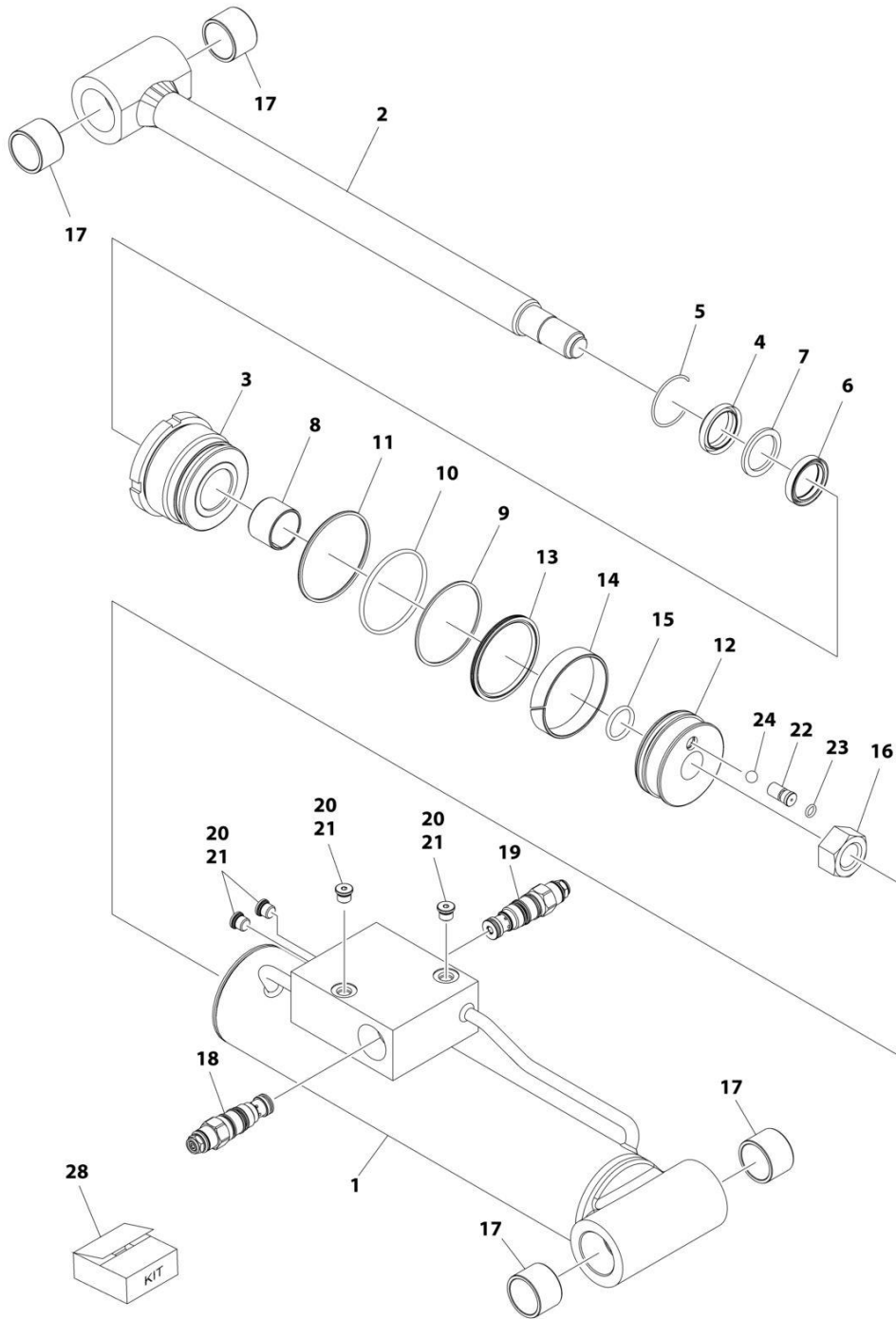
SECTION 6 - CYLINDER

FIGURE 6-2. LEVEL (PLATFORM SLAVE) CYLINDER ASSEMBLY (Prior to SN 0300238046)

ITEM	PART NUMBER	QTY	DESCRIPTION	REV
	1001117375	Ref	LEVEL (PLATFORM SLAVE) CYLINDER ASSEMBLY (Prior to SN 0300238046)	E
1	70003131	1	Barrel	
2	70003132	1	Rod	
3	70003085	1	Head	
4	See Note	NSS	Wiper (Note: Use Item 28)	
5	70002366	1	Ring, Retaining	
6	See Note	NSS	Seal, Rod (Note: Use Item 28)	
7	See Note	NSS	Ring, Back-up (Note: Use Item 28)	
8	70002352	1	Bearing	
9	See Note	NSS	O-Ring (Note: Use Item 28)	
10	See Note	NSS	Ring, Back-up (Note: Use Item 28)	
11	See Note	NSS	O-Ring (Note: Use Item 28)	
12	70003133	1	Piston	
13	See Note	NSS	Seal, Piston (Note: Use Item 28)	
14	See Note	NSS	Ring, Wear (Note: Use Item 28)	
15	See Note	NSS	O-Ring (Note: Use Item 28)	
16	70002335	1	Nut	
17	0961951	4	Bushing, Garmax (was p/n 70003087)	
18	70002413	1	Cartridge, Valve	
18	2900770	1	Seal Kit - 70002413 Valve	
19	70002388	1	Cartridge, Valve	
19	2900770	1	Seal Kit - 70002388 Valve	
20	70023370	2	Plug	
21	See Note	2	O-Ring (Note: Not Available - Purchase Locally)	
24	70002357	1	Valve, Phase	
28	70003134	1	Seal Kit (Includes Items 4, 6, 7, 9, 10, 11, 13, 14 & 15)	
100		Ref	REPAIR TOOLS (NOT SHOWN)	
100	70003089	1	Press, Wiper	
100	70003090	1	Press, Bushing (Use with Rod Bearing)	
100	70003091	1	Tool, Bushing Removal (Use with Rod Bearing)	
100	70003092	1	Tool, Head Seal Protection	
100	70003081	1	Tool, Piston Seal Protection	
100	70003093	1	Press, Bushing (Use with Pin Mounting Bushings)	
100	70003094	1	Tool, Bushing Removal (Use with Pin Mounting Bushings)	

SECTION 6 - CYLINDER

FIGURE 6-3. LEVEL (PLATFORM SLAVE) CYLINDER ASSEMBLY (SN 0300238046 to Present)



ART_1001225990

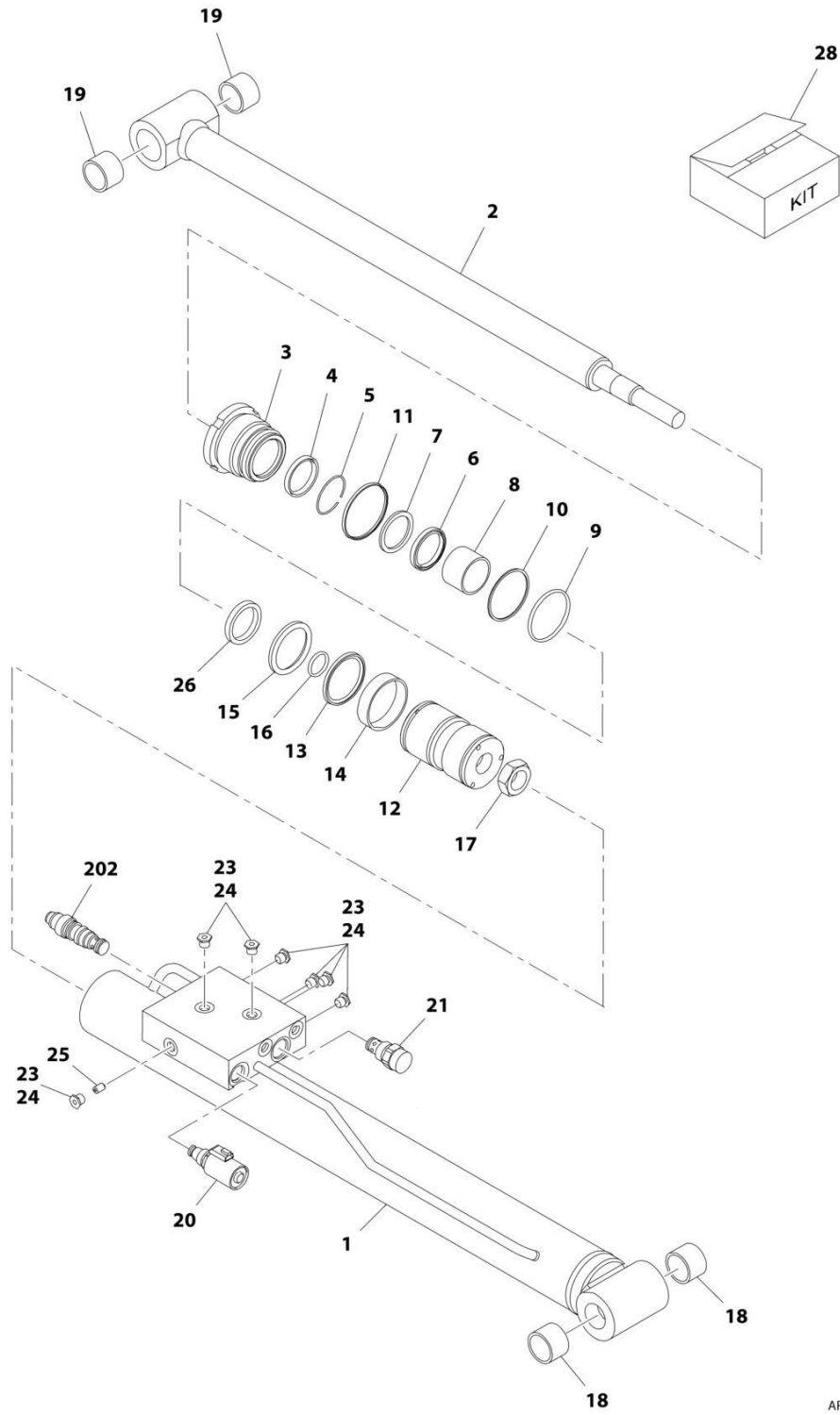
SECTION 6 - CYLINDER

FIGURE 6-3. LEVEL (PLATFORM SLAVE) CYLINDER ASSEMBLY (SN 0300238046 to Present)

ITEM	PART NUMBER	QTY	DESCRIPTION	REV
	1001225990	Ref	LEVEL (PLATFORM SLAVE) CYLINDER ASSEMBLY (SN 0300238046 to Present)	A
1	70003131	1	Barrel	
2	70003132	1	Rod	
3	70003085	1	Head	
4	See Note	NSS	Wiper (Note: Use Item 28)	
5	70002366	1	Ring, Retaining	
6	See Note	NSS	Seal, Rod (Note: Use Item 28)	
7	See Note	NSS	Ring, Back-up (Note: Use Item 28)	
8	70005695	1	Bearing	
9	See Note	NSS	O-Ring (Note: Use Item 28)	
10	See Note	NSS	Ring, Back-up (Note: Use Item 28)	
11	See Note	NSS	O-Ring (Note: Use Item 28)	
12	70003133	1	Piston	
13	See Note	NSS	Seal, Piston (Note: Use Item 28)	
14	See Note	NSS	Ring, Wear (Note: Use Item 28)	
15	See Note	NSS	Ring, Wear (Note: Use Item 28)	
16	70002335	1	Nut	
17	0961951	4	Bushing, Garmax	
18	70002413	1	Cartridge, Valve	
18	2900770	1	Seal Kit - 70002413 Valve	
19	1001168210	1	Cartridge, Valve	
19	2900770	1	Seal Kit - 1001168210 Valve	
20	2220883	4	Plug	
21	See Note	NSS	O-Ring (Note: Not Available - Purchase Locally)	
22	70005973	1	Valve Seat	
23	70005974	1	O-Ring	
24	70006353	1	Steel Ball	
28	70003134	1	Seal Kit (Includes Items 4, 6, 7, 9, 10, 11, 13, 14 & 15)	
100		Ref	REPAIR TOOLS (NOT SHOWN)	
100	70003089	1	Press, Wiper	
100	70003090	1	Press, Bushing (Use with Rod Bearing)	
100	70003091	1	Tool, Bushing Removal (Use with Rod Bearing)	
100	70003092	1	Tool, Head Seal Protection	
100	70003081	1	Tool, Piston Seal Protection	
100	70003093	1	Press, Bushing (Use with Pin Mounting Bushings)	
100	70003094	1	Tool, Bushing Removal (Use with Pin Mounting Bushings)	

SECTION 6 - CYLINDER

FIGURE 6-4. LIFT (JIB) CYLINDER ASSEMBLY



ART_1001123004

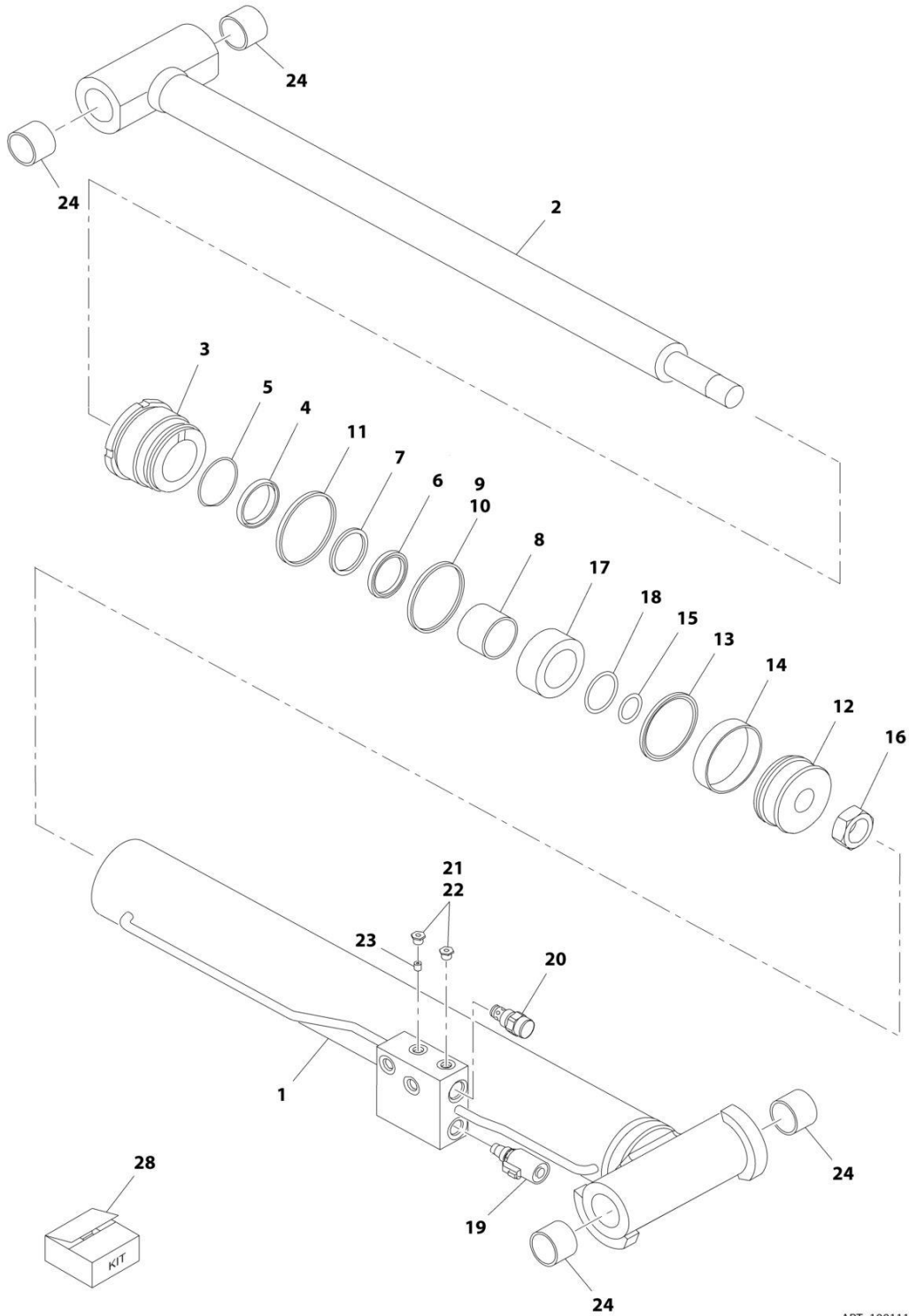
SECTION 6 - CYLINDER

FIGURE 6-4. LIFT (JIB) CYLINDER ASSEMBLY

ITEM	PART NUMBER	QTY	DESCRIPTION	REV
	1001123004	Ref	LIFT (JIB) CYLINDER ASSEMBLY	D
1	70003122	1	Barrel	
2	70002375	1	Rod	
3	70003123	1	Head	
4	See Note	NSS	Wiper (Note: Use Item 28)	
5	70002373	1	Ring, Retaining	
6	See Note	NSS	Seal, Rod (Note: Use Item 28)	
7	See Note	NSS	Ring, Back-up (Note: Use Item 28)	
8	70002372	1	Bearing	
9	See Note	NSS	O-Ring (Note: Use Item 28)	
10	See Note	NSS	Ring, Back-up (Note: Use Item 28)	
11	See Note	NSS	O-Ring (Note: Use Item 28)	
12	70003124	1	Piston	
13	70003125	1	Seal, Piston	
14	See Note	NSS	Ring, Wear (Note: Use Item 28)	
15	See Note	NSS	O-Ring (Note: Use Item 28)	
16	See Note	NSS	Ring, Piston (Note: Use Item 28)	
17	70002335	1	Nut	
18	70003118	2	Bushing	
19	0961951	2	Bushing, Garmax (was p/n 70003087)	
20	7024884	1	Cartridge, Solenoid Valve	
20	7012967	1	Seal Kit - 7024884 Valve	
20	70002386	1	Coil	
21	70003076	1	Cartridge, Check Valve	
21	7017496	1	Seal Kit - 70003076 Valve	
23	70023370	7	Plug	
24	See Note	7	O-Ring (Note: Not Available - Purchase Locally)	
25	70002334	1	Orifice	
26	70003453	1	Spacer	
28	70003125	1	Seal Kit (Includes Items 4, 6, 7, 9, 10, 11, 13, 14, 15 & 16)	
100		Ref	REPAIR TOOLS (NOT SHOWN)	
100	70003126	1	Press, Wiper	
100	70003127	1	Press, Bushing (Use with Rod Bearing)	
100	70003128	1	Tool, Bushing Removal (Use with Rod Bearing)	
100	70003129	1	Tool, Head Seal Protection	
100	70003130	1	Tool, Piston Seal Protection	
100	70003093	1	Press, Bushing (Use with Pin Mounting Bushings)	
100	70003094	1	Tool, Bushing Removal (Use with Pin Mounting Bushings)	
	1001199460	Ref	JIB LIFT CYLINDER ASSEMBLY	A
202	1001199306	1	Cartridge, Counter Balance Valve	
202	2900770	1	Seal Kit - 1001199306 Valve	

SECTION 6 - CYLINDER

FIGURE 6-5. LIFT (MAIN BOOM) CYLINDER ASSEMBLY



ART_1001117640

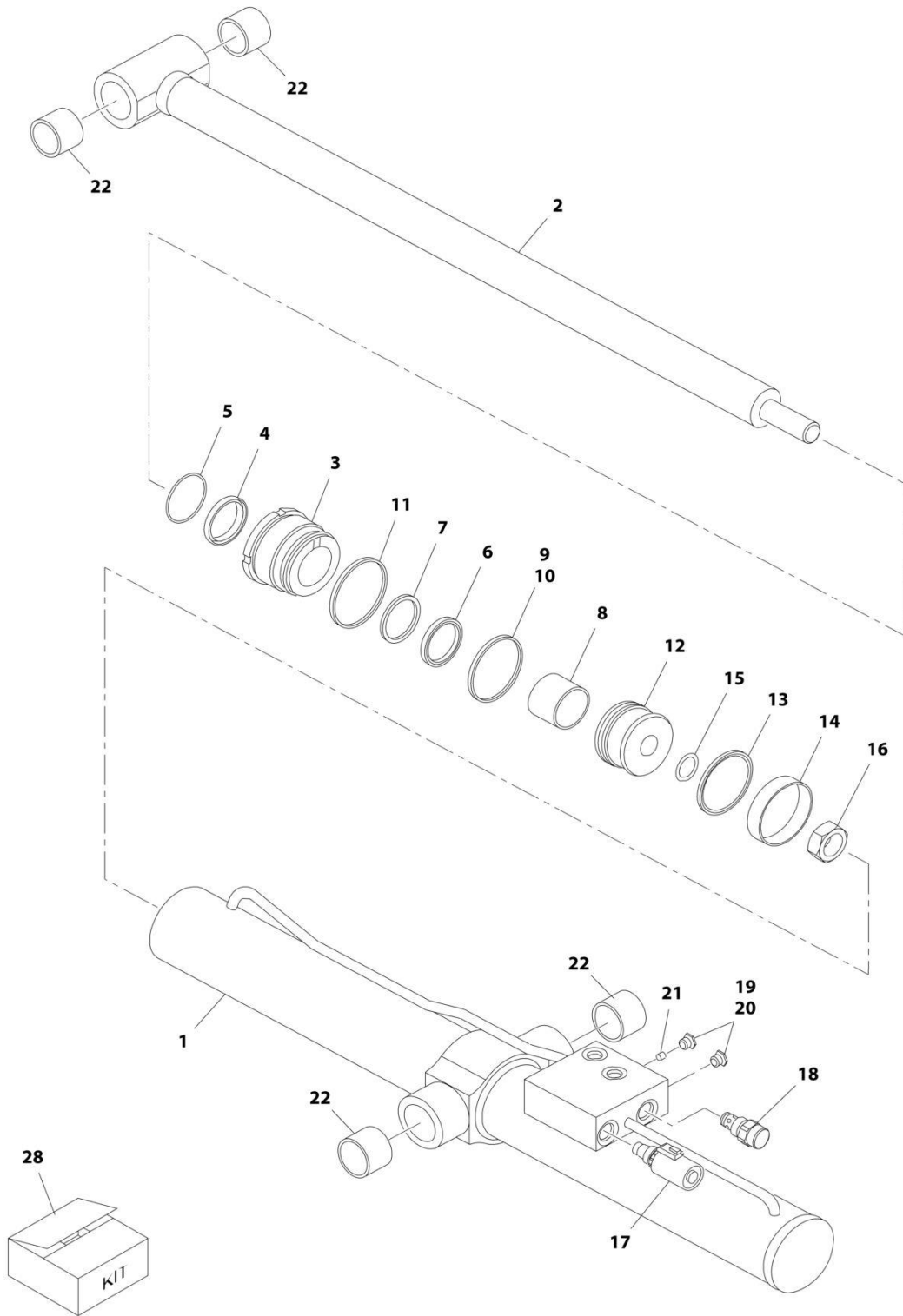
SECTION 6 - CYLINDER

FIGURE 6-5. LIFT (MAIN BOOM) CYLINDER ASSEMBLY

ITEM	PART NUMBER	QTY	DESCRIPTION	REV
	1001117640	Ref	LIFT (MAIN BOOM) CYLINDER ASSEMBLY	H
1	70003103	1	Barrel	
2	70003104	1	Rod	
3	70003105	1	Head	
4	See Note	NSS	Wiper (Note: Use Item 28)	
5	70002412	1	Ring, Retaining	
6	See Note	NSS	Seal, Rod (Note: Use Item 28)	
7	See Note	NSS	Ring, Back-up (Note: Use Item 28)	
8	70022565	1	Bearing	
9	See Note	NSS	O-Ring (Note: Use Item 28)	
10	See Note	NSS	Ring, Back-up (Note: Use Item 28)	
11	See Note	NSS	O-Ring (Note: Use Item 28)	
12	70003106	1	Piston	
13	See Note	NSS	Seal, Piston (Note: Use Item 28)	
14	See Note	NSS	Ring, Wear (Note: Use Item 28)	
15	See Note	NSS	O-Ring (Note: Use Item 28)	
16	70002335	1	Nut	
17	70002344	1	Spacer	
18	See Note	NSS	O-Ring (Note: Use Item 28)	
19	7024884	1	Cartridge, Solenoid Valve	
19	7012967	1	Seal Kit - 7024884 Valve	
19	70002386	1	Coil	
20	70003076	1	Cartridge, Check Valve	
20	7017496	1	Seal Kit - 70003076 Valve	
21	70023370	7	Plug	
22	See Note	7	O-Ring (Note: Not Available - Purchase Locally)	
23	70002334	1	Orifice	
24	0961948	2	Bushing, Garmax (was p/n 70003107)	
28	70003108	1	Seal Kit (Includes Items 4, 6, 7, 9, 10, 11, 13, 14, 15 & 18)	
100		Ref	REPAIR TOOLS (NOT SHOWN)	
100	70003109	1	Press, Wiper	
100	70003110	1	Press, Bushing (Use with Rod Bearing)	
100	70003111	1	Tool, Bushing Removal (Use with Rod Bearing)	
100	70003112	1	Tool, Head Seal Protection	
100	70003113	1	Tool, Piston Seal Protection	
100	70003082	1	Press, Bushing (Use with Pin Mounting Bushings)	
100	70003083	1	Tool, Bushing Removal (Use with Pin Mounting Bushings)	

SECTION 6 - CYLINDER

FIGURE 6-6. LIFT (TOWER BOOM) CYLINDER ASSEMBLY



ART_1001122527

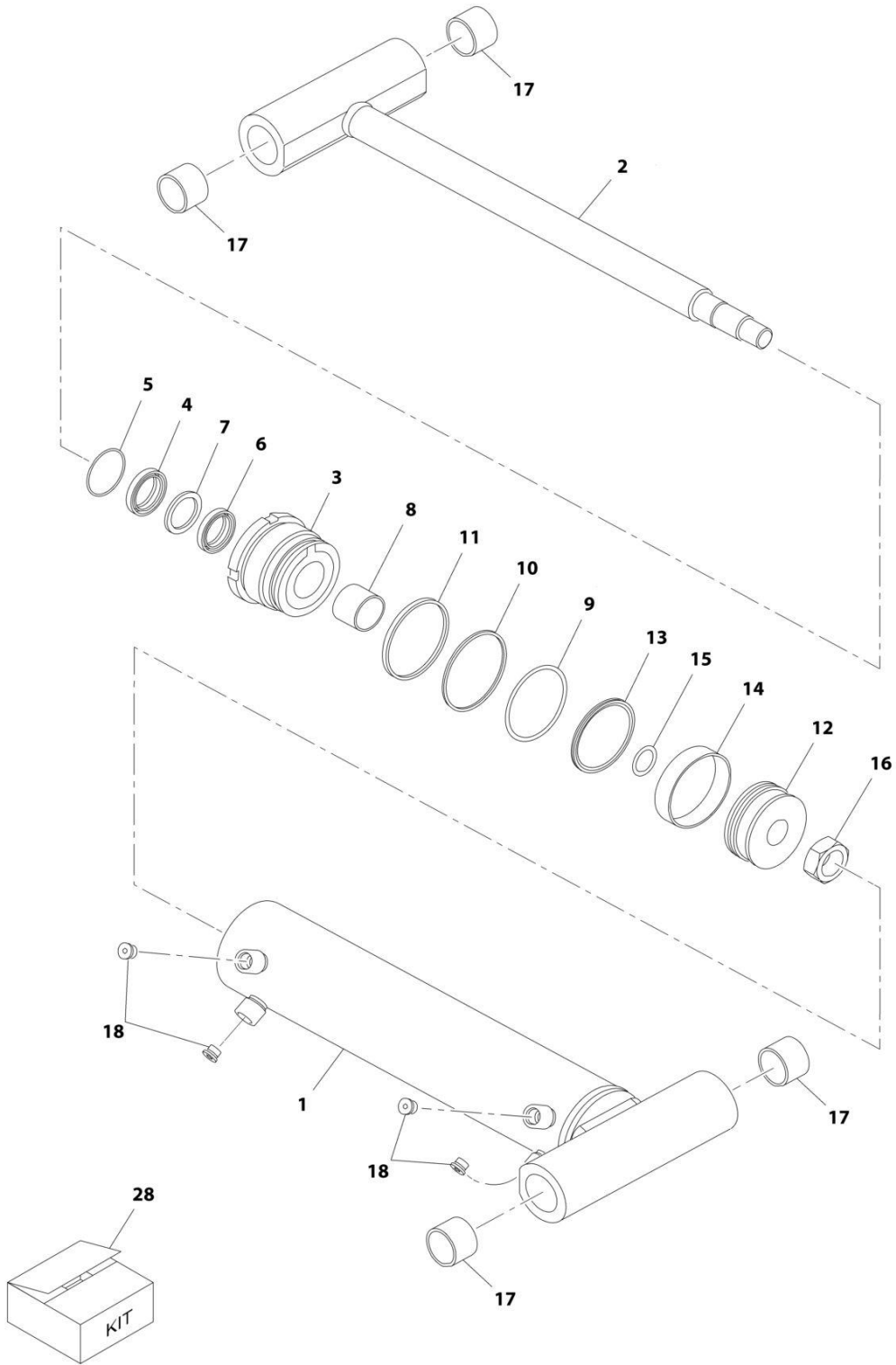
SECTION 6 - CYLINDER

FIGURE 6-6. LIFT (TOWER BOOM) CYLINDER ASSEMBLY

ITEM	PART NUMBER	QTY	DESCRIPTION	REV
	1001122527	Ref	LIFT (TOWER BOOM) CYLINDER ASSEMBLY	D
1	70003071	1	Barrel	
2	70003072	1	Rod	
3	70003073	1	Head	
4	See Note	NSS	Wiper (Note: Use Item 28)	
5	70002410	1	Ring, Retaining	
6	See Note	NSS	Seal, Rod (Note: Use Item 28)	
7	See Note	NSS	Ring, Back-up (Note: Use Item 28)	
8	70002337	1	Bearing	
9	See Note	NSS	O-Ring (Note: Use Item 28)	
10	See Note	NSS	Ring, Back-up (Note: Use Item 28)	
11	See Note	NSS	O-Ring (Note: Use Item 28)	
12	70003074	1	Piston	
13	See Note	NSS	Seal, Piston (Note: Use Item 28)	
14	See Note	NSS	Ring, Wear (Note: Use Item 28)	
15	See Note	NSS	O-Ring (Note: Use Item 28)	
16	70002335	1	Nut	
17	7024884	1	Cartridge, Solenoid Valve	
17	7012967	1	Seal Kit - 7024884 Valve	
17	70002386	1	Coil	
18	70003076	1	Cartridge, Check Valve	
18	7017496	1	Seal Kit - 70003076 Valve	
19	70023370	2	Plug	
20	See Note	2	O-Ring (Note: Not Available - Purchase Locally)	
21	70002334	1	Orifice	
22	0961948	4	Bushing, Garmax (was p/n 70003107)	
28	70003075	1	Seal Kit (Includes Items 4, 6, 7, 9, 10, 11, 13, 14 & 15)	
100		Ref	REPAIR TOOLS (NOT SHOWN)	
100	70003077	1	Press, Wiper	
100	70003078	1	Press, Bushing (Use with Rod Bearing)	
100	70003079	1	Tool, Bushing Removal (Use with Rod Bearing)	
100	70003080	1	Tool, Head Seal Protection	
100	70003081	1	Tool, Piston Seal Protection	
100	70003082	1	Press, Bushing (Use with Pin Mounting Bushings)	
100	70003083	1	Tool, Bushing Removal (Use with Pin Mounting Bushings)	

SECTION 6 - CYLINDER

FIGURE 6-7. MASTER CYLINDER ASSEMBLY



ART_1001120976

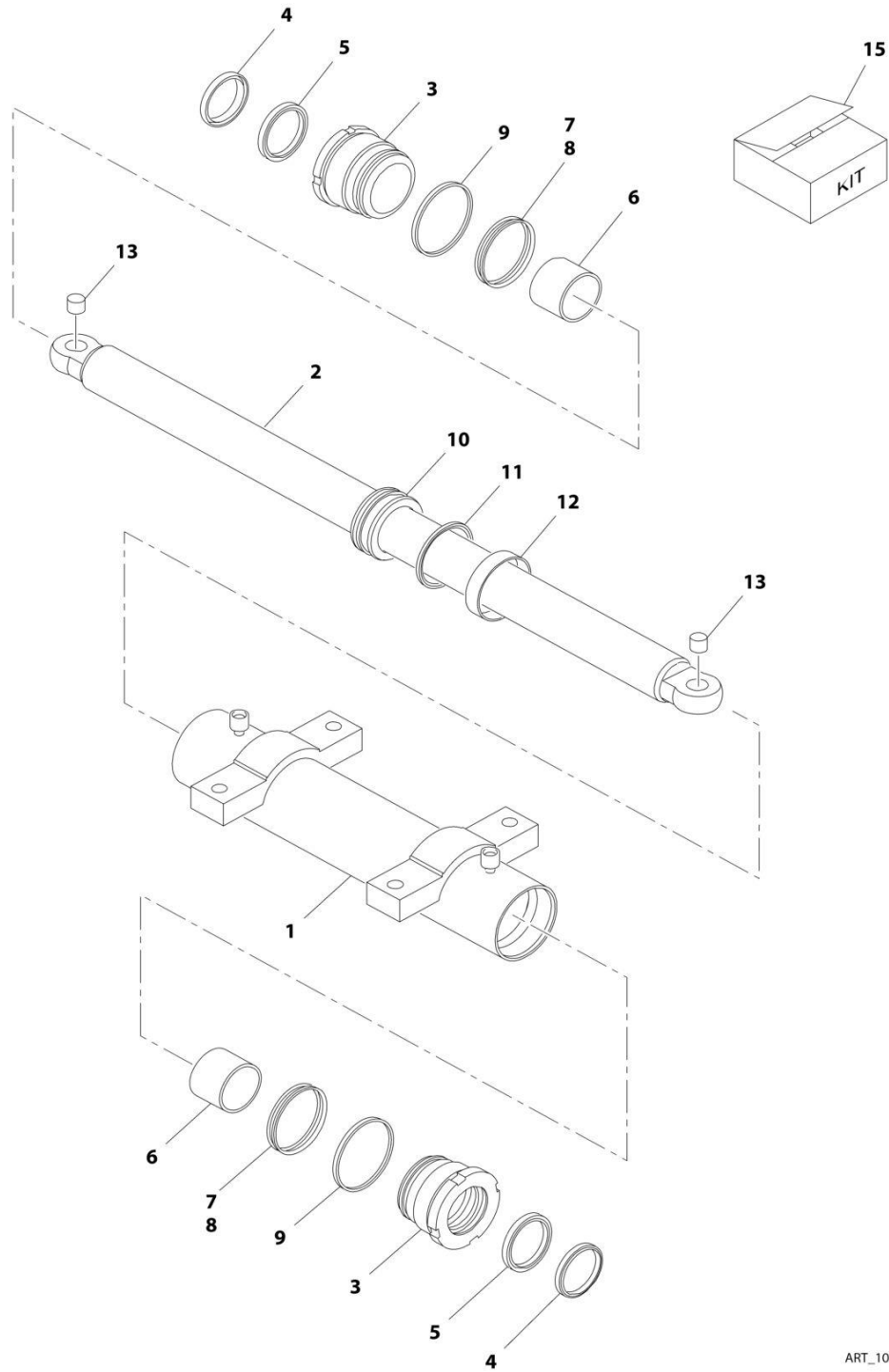
SECTION 6 - CYLINDER

FIGURE 6-7. MASTER CYLINDER ASSEMBLY

ITEM	PART NUMBER	QTY	DESCRIPTION	REV
	1001120976	Ref	MASTER CYLINDER ASSEMBLY	B
1	70003084	1	Barrel	
2	70002354	1	Rod	
3	70003085	1	Head	
4	See Note	NSS	Wiper (Note: Use Item 28)	
5	70002366	1	Ring, Retaining	
6	See Note	NSS	Seal, Rod (Note: Use Item 28)	
7	See Note	NSS	Ring, Back-up (Note: Use Item 28)	
8	70002352	1	Bearing	
9	See Note	NSS	O-Ring (Note: Use Item 28)	
10	See Note	NSS	Ring, Back-up (Note: Use Item 28)	
11	See Note	NSS	O-Ring (Note: Use Item 28)	
12	70003086	1	Piston	
13	See Note	NSS	Seal, Piston (Note: Use Item 28)	
14	See Note	NSS	Ring, Wear (Note: Use Item 28)	
15	See Note	NSS	O-Ring (Note: Use Item 28)	
16	70002335	1	Nut	
17	0961951	4	Bushing, Garmax (was p/n 70003087)	
18	70023371	4	Plug	
28	70003088	1	Seal Kit (Includes Items 4, 6, 7, 9, 10, 11, 13, 14 & 15)	
100		Ref	REPAIR TOOLS (NOT SHOWN)	
100	70003089	1	Press, Wiper	
100	70003090	1	Press, Bushing (Use with Rod Bearing)	
100	70003091	1	Tool, Bushing Removal (Use with Rod Bearing)	
100	70003092	1	Tool, Head Seal Protection	
100	70003081	1	Tool, Piston Seal Protection	
100	70003093	1	Press, Bushing (Use with Pin Mounting Bushings)	
100	70003094	1	Tool, Bushing Removal (Use with Pin Mounting Bushings)	

SECTION 6 - CYLINDER

FIGURE 6-8. STEER CYLINDER ASSEMBLY



ART_1001116788

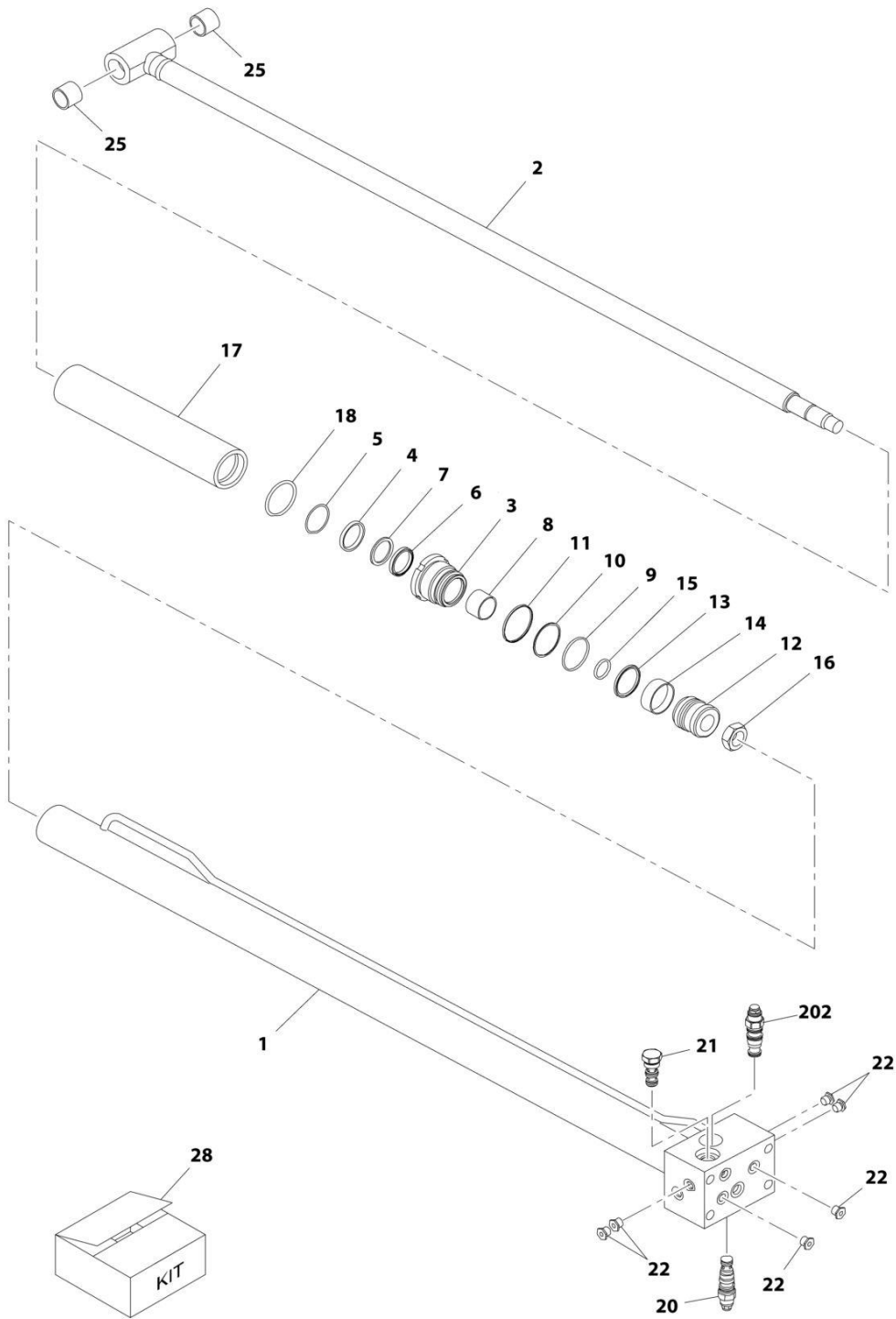
SECTION 6 - CYLINDER

FIGURE 6-8. STEER CYLINDER ASSEMBLY

ITEM	PART NUMBER	QTY	DESCRIPTION	REV
	1001116788	Ref	STEER CYLINDER ASSEMBLY	C
1	70003095	1	Barrel	
2	70003096	1	Rod	
3	70003098	2	Head	
4	See Note	NSS	Wiper (Note: Use Item 15)	
5	See Note	NSS	Seal, Rod (Note: Use Item 15)	
6	70002337	2	Bearing	
7	See Note	NSS	O-Ring (Note: Use Item 15)	
8	See Note	NSS	Ring, Back-up (Note: Use Item 15)	
9	See Note	NSS	O-Ring (Note: Use Item 15)	
10	70003097	1	Piston	
11	See Note	NSS	Seal, Piston (Note: Use Item 15)	
12	See Note	NSS	Ring, Wear (Note: Use Item 15)	
13	70002380	4	Bushing, Garmax	
15	70003099	1	Seal Kit (Includes Items 4, 5, 7, 8, 9, 11 & 12)	
100		Ref	REPAIR TOOLS (NOT SHOWN)	
100	70003077	1	Press, Wiper	
100	70003078	1	Press, Bushing (Use with Rod Bearing)	
100	70003079	1	Tool, Bushing Removal (Use with Rod Bearing)	
100	70003080	1	Tool, Head Seal Protection	
100	70003100	1	Tool, Piston Seal Protection	
100	70003101	1	Press, Bushing (Use with Pin Mounting Bushings)	
100	70003102	1	Tool, Bushing Removal (Use with Pin Mounting Bushings)	

SECTION 6 - CYLINDER

FIGURE 6-9. TELESCOPE CYLINDER ASSEMBLY



ART_1001120974

SECTION 6 - CYLINDER

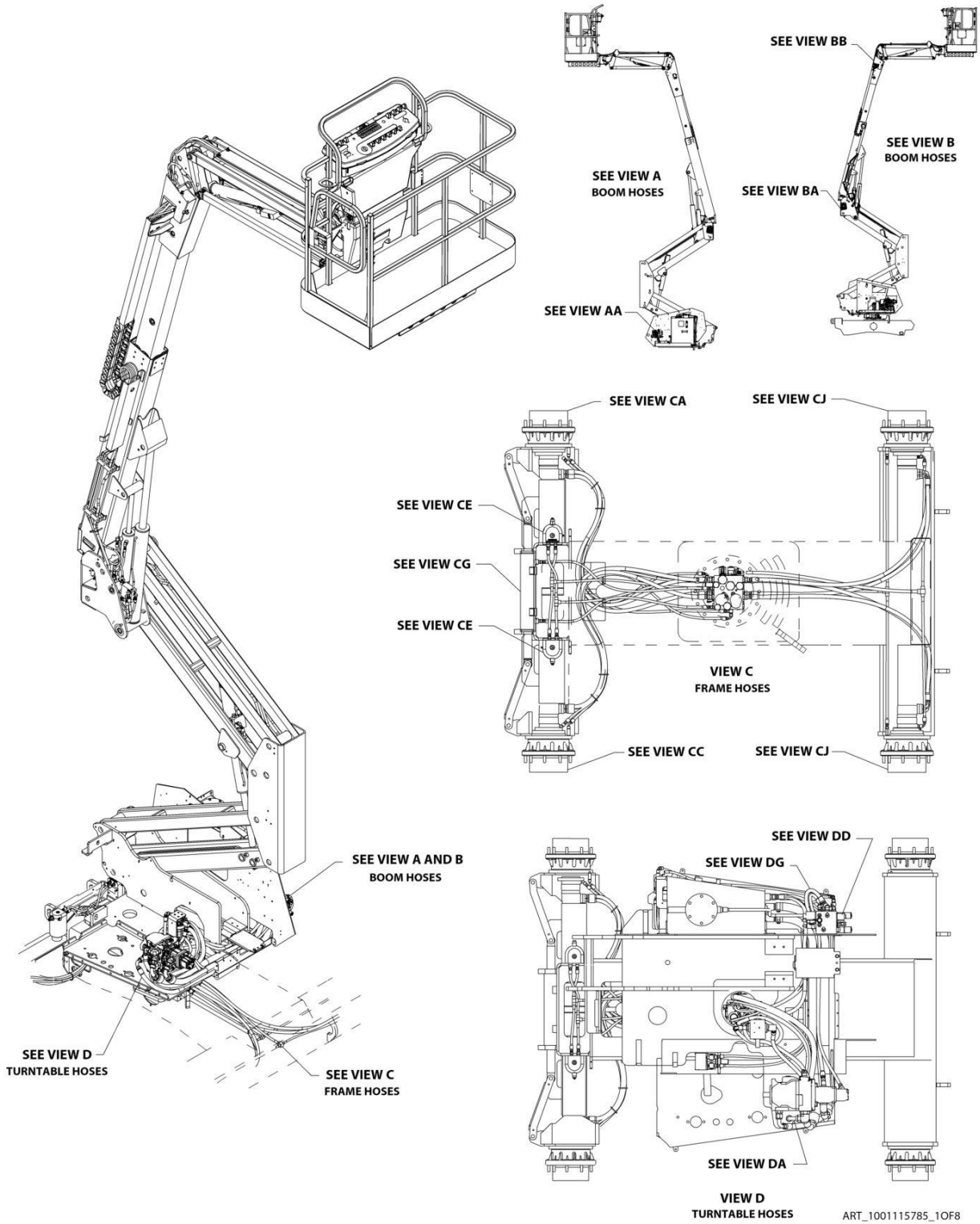
FIGURE 6-9. TELESCOPE CYLINDER ASSEMBLY

ITEM	PART NUMBER	QTY	DESCRIPTION	REV
	1001120974	Ref	TELESCOPE CYLINDER ASSEMBLY	C
1	70003114	1	Barrel	
2	70003115	1	Rod	
3	70003116	1	Head	
4	See Note	NSS	Wiper (Note: Use Item 28)	
5	70002366	1	Ring, Retaining	
6	See Note	NSS	Seal, Rod (Note: Use Item 28)	
7	See Note	NSS	Ring, Back-up (Note: Use Item 28)	
8	70002352	1	Bearing	
9	See Note	NSS	O-Ring (Note: Use Item 28)	
10	See Note	NSS	Ring, Back-up (Note: Use Item 28)	
11	See Note	NSS	O-Ring (Note: Use Item 28)	
12	70003117	1	Piston	
13	See Note	NSS	Seal, Piston (Note: Use Item 28)	
14	See Note	NSS	Ring, Wear (Note: Use Item 28)	
15	See Note	NSS	O-Ring (Note: Use Item 28)	
16	70002335	1	Nut	
17	70002364	1	Spacer	
18	See Note	NSS	O-Ring (Note: Use Item 28)	
20	70002389	1	Cartridge, Counterbalance Valve	
20	2900770	1	Seal Kit - 70002389 Valve	
21	10837580	1	Cartridge, Load Shuttle Valve	
21	7010543	1	Seal Kit - 10837580 Valve	
22	70023370	6	Plug	
25	70003118	2	Bushing	
28	70003119	1	Seal Kit (Includes Items 4, 6, 7, 9, 10, 11, 13, 14, 15 & 18)	
100		Ref	REPAIR TOOLS (NOT SHOWN)	
100	70003089	1	Press, Wiper	
100	70003090	1	Press, Bushing (Use with Rod Bearing)	
100	70003091	1	Tool, Bushing Removal (Use with Rod Bearing)	
100	70003092	1	Tool, Head Seal Protection	
100	70003120	1	Press, Bushing (Use with Pin Mounting Bushings)	
100	70003121	1	Tool, Bushing Removal (Use with Pin Mounting Bushings)	
	1001199461	Ref	TELESCOPE CYLINDER ASSEMBLY	A
202	1001199306	1	Cartridge, Counter Balance Valve	
202	2900770	1	Seal Kit - 1001199306 Valve	

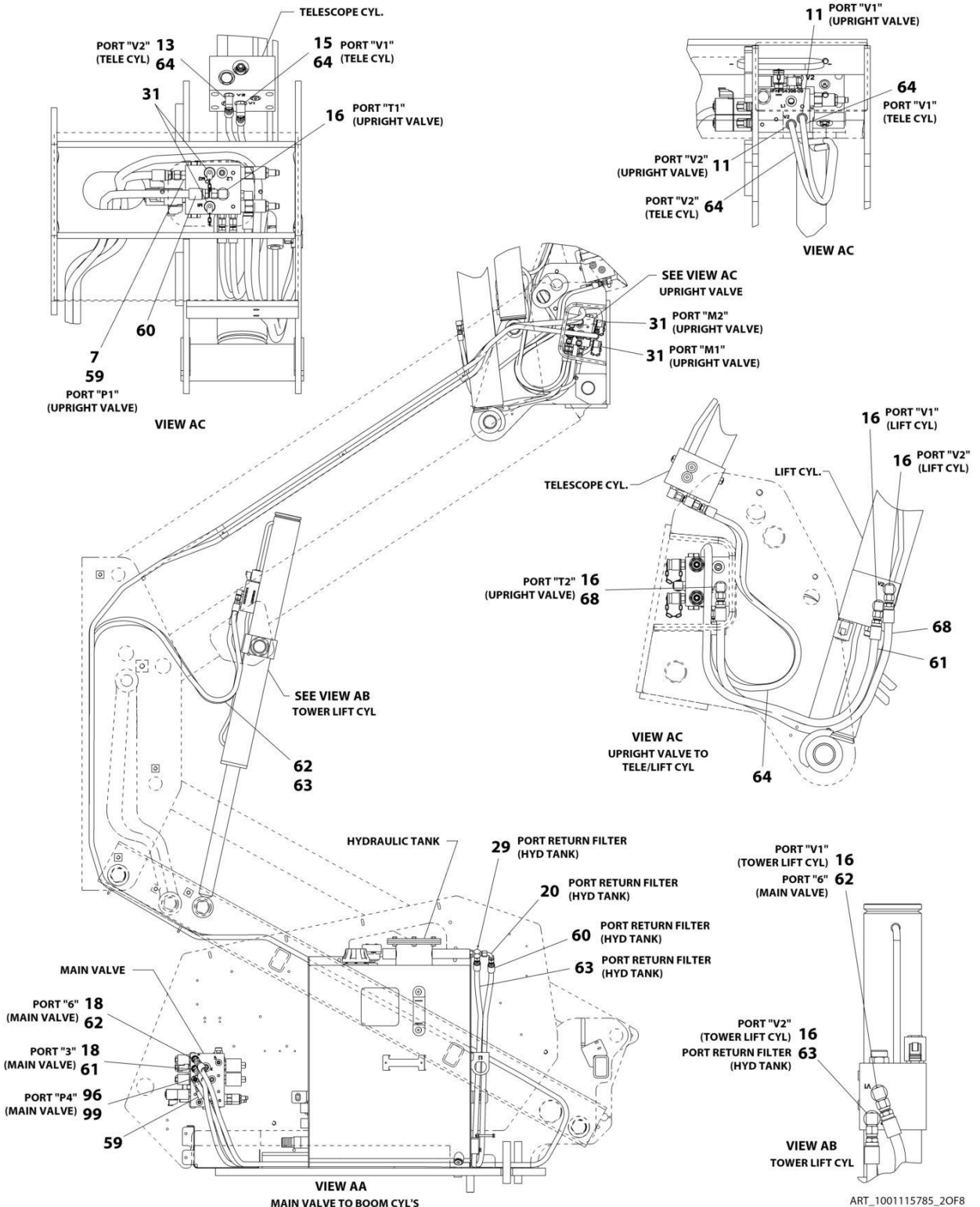
SECTION 7 - HYDRAULIC

SECTION 7 - HYDRAULIC

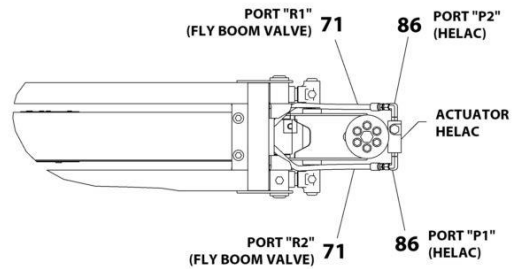
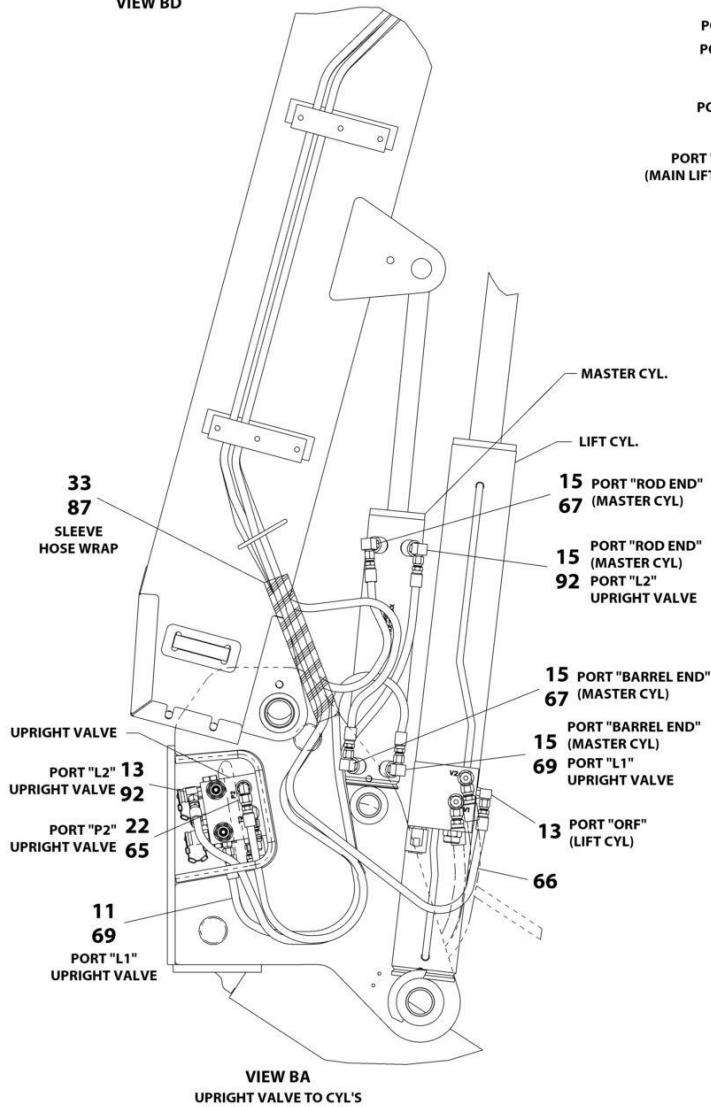
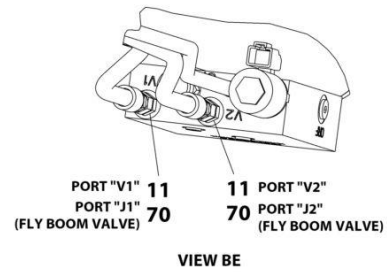
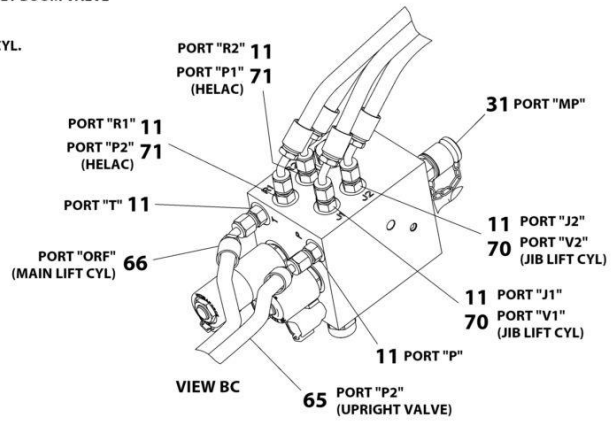
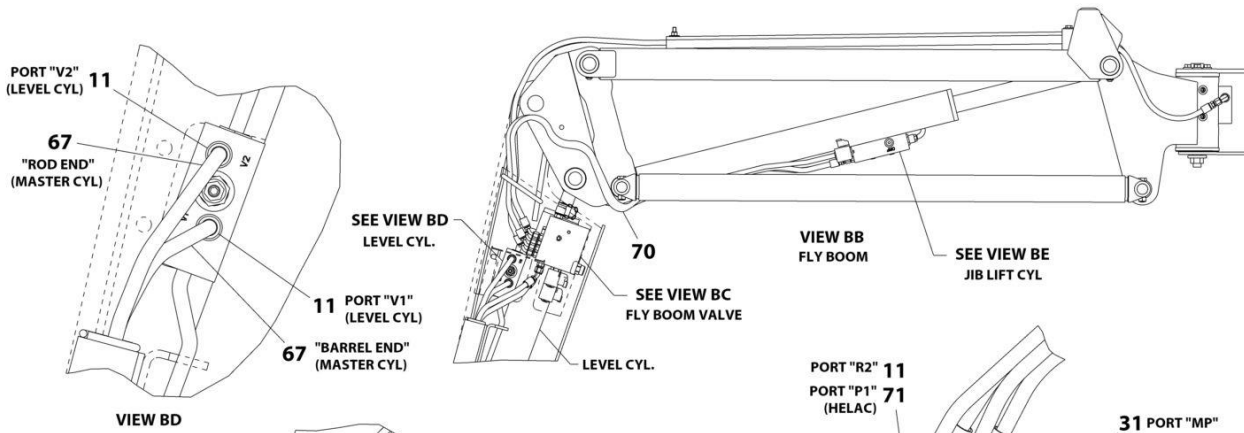
FIGURE 7-1. HYDRAULIC INSTALLATION - WITHOUT ARCTIC PACKAGE



SECTION 7 - HYDRAULIC

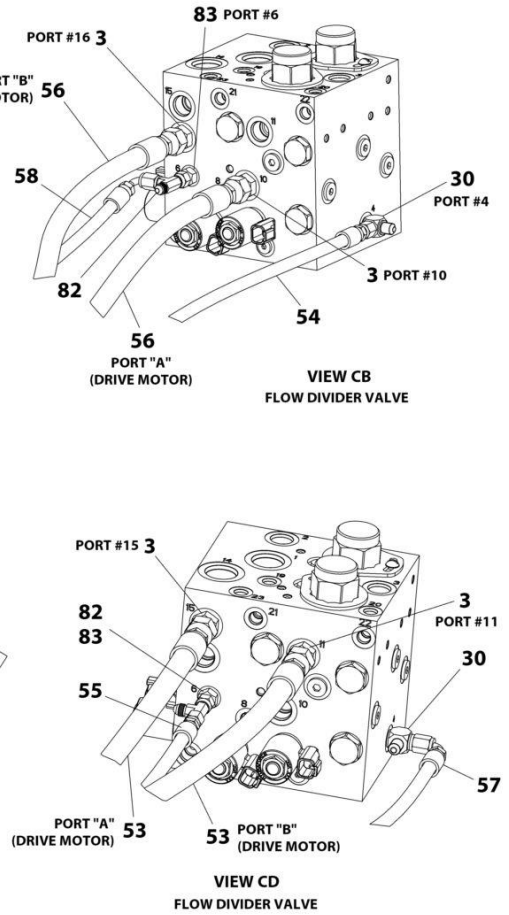
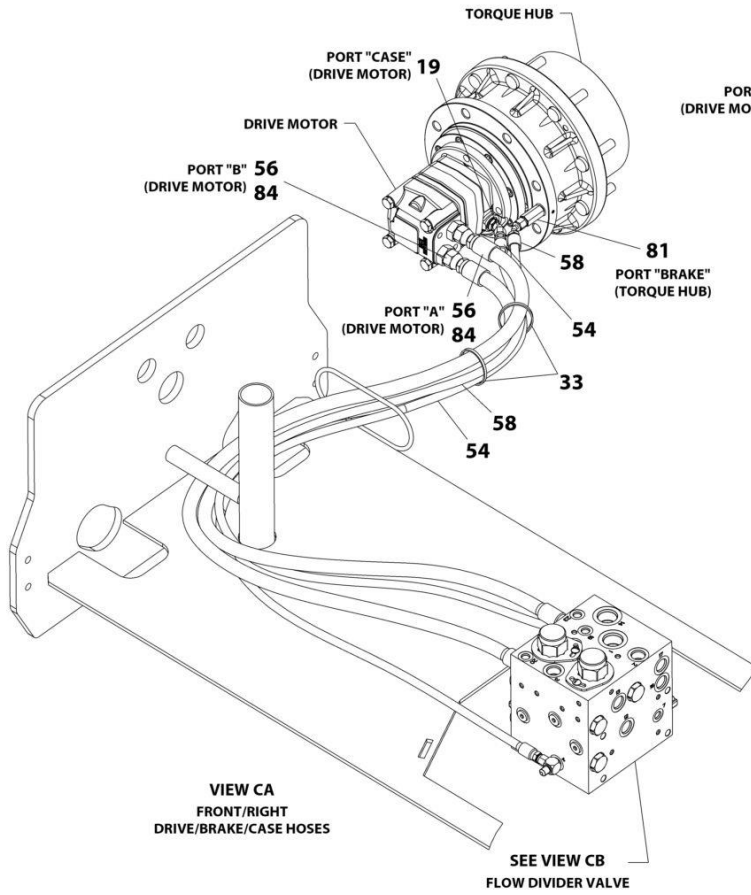


SECTION 7 - HYDRAULIC



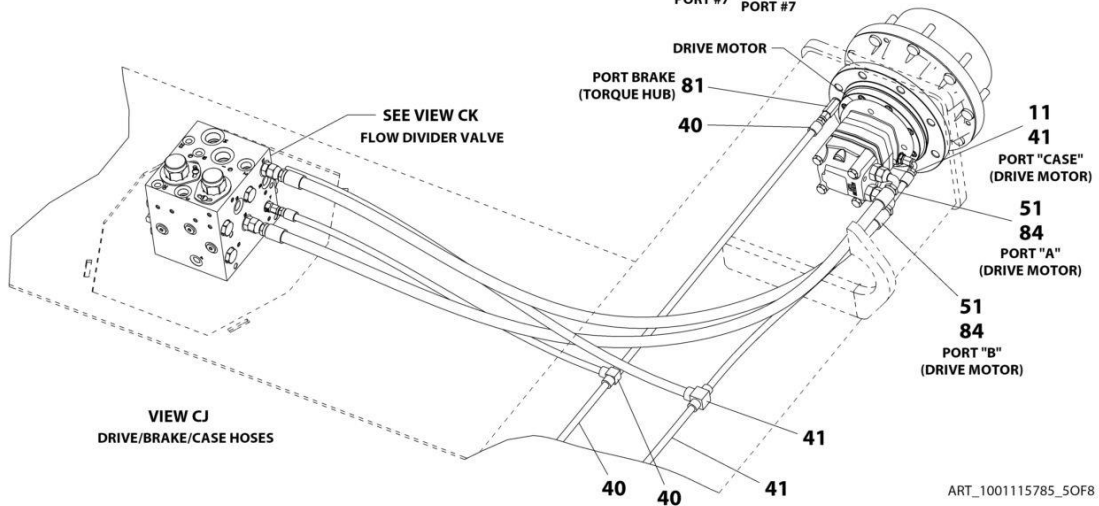
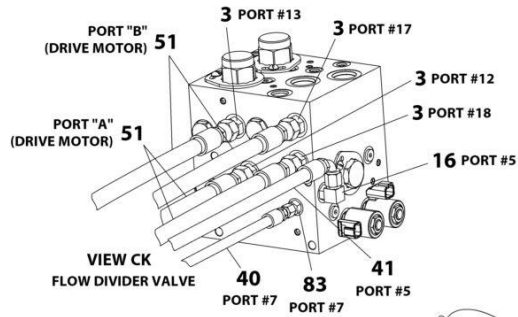
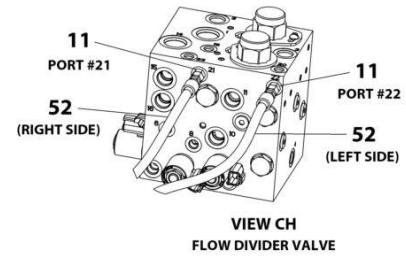
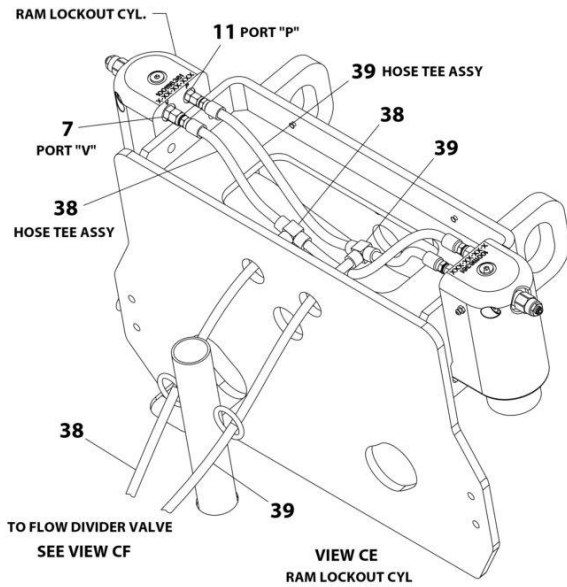
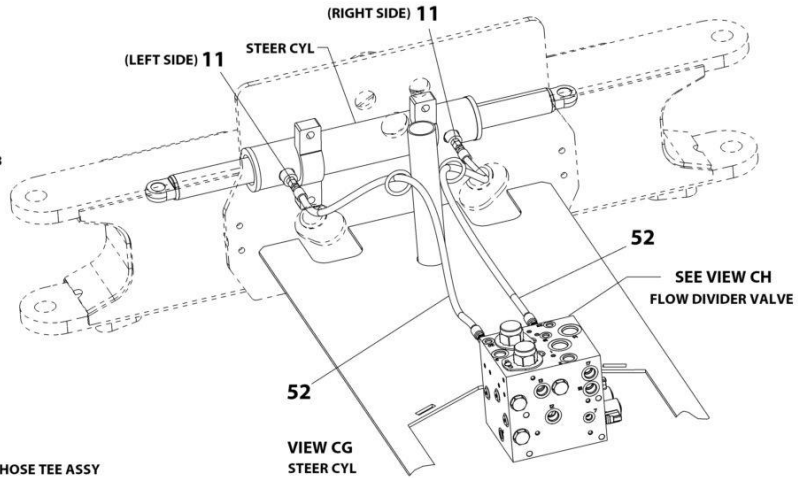
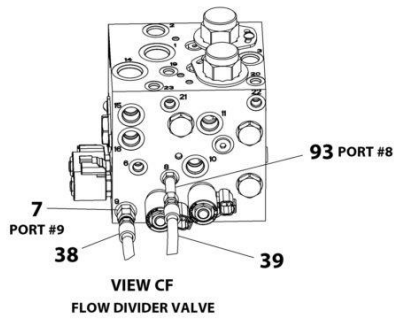
ART_100115785_30F8

SECTION 7 - HYDRAULIC



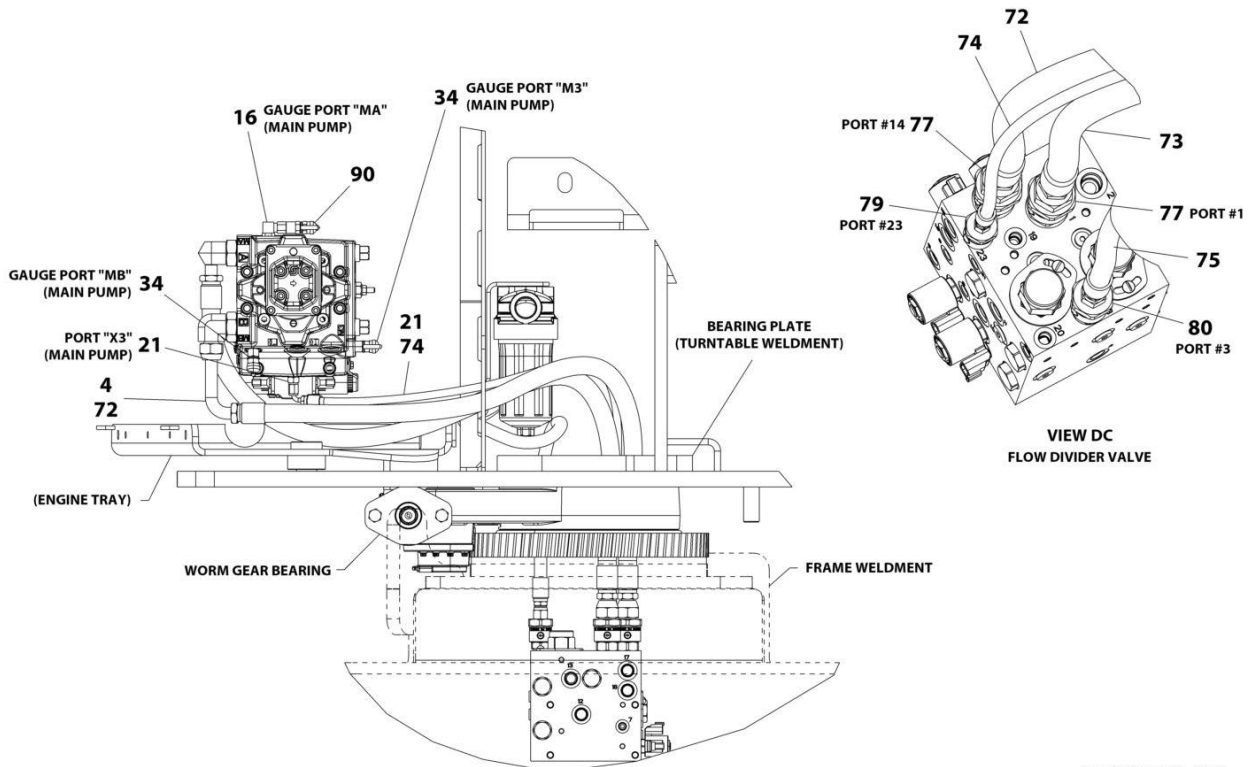
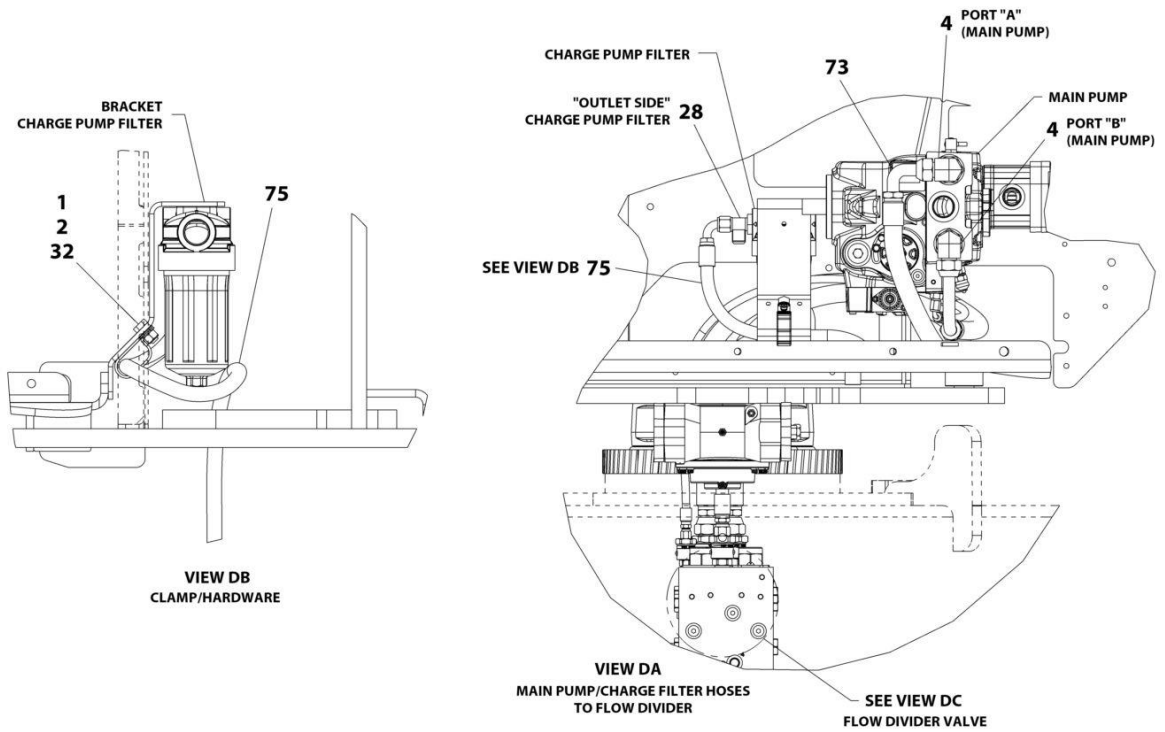
ART_1001115785_40F8

SECTION 7 - HYDRAULIC



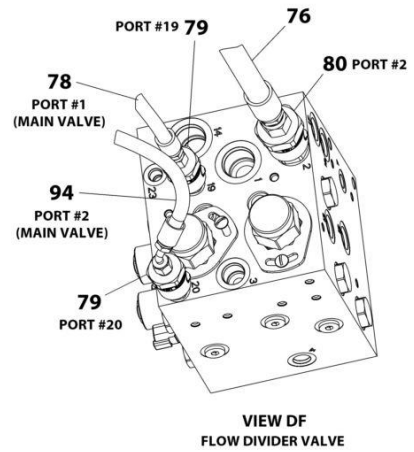
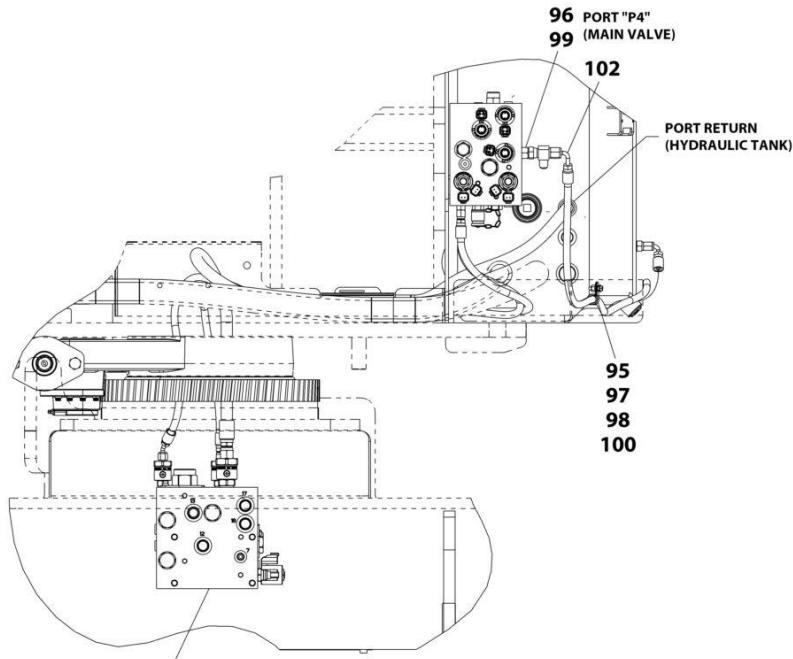
ART_1001115785_SOF8

SECTION 7 - HYDRAULIC

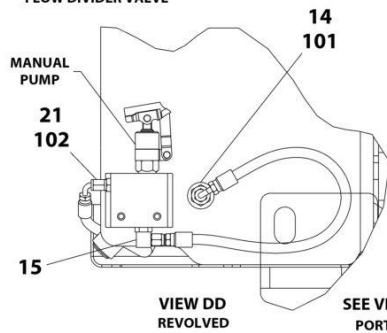


ART_100115785_60F8

SECTION 7 - HYDRAULIC



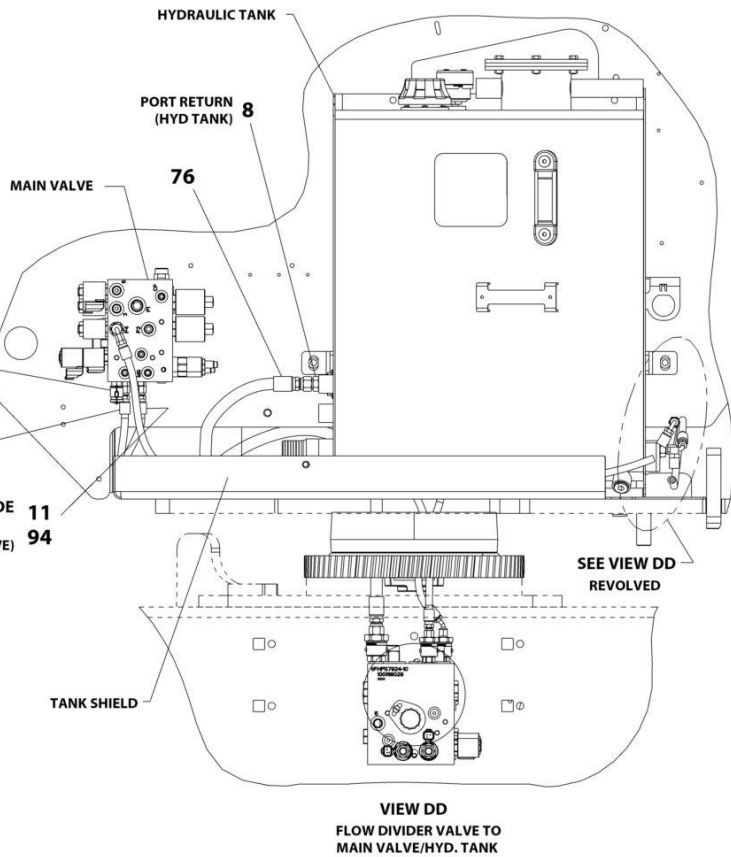
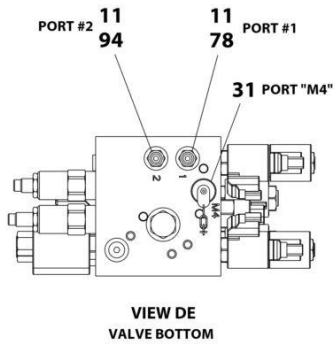
SEE VIEW DF
FLOW DIVIDER VALVE



SEE VIEW DE
PORT "M4"
(MAIN VALVE)
31

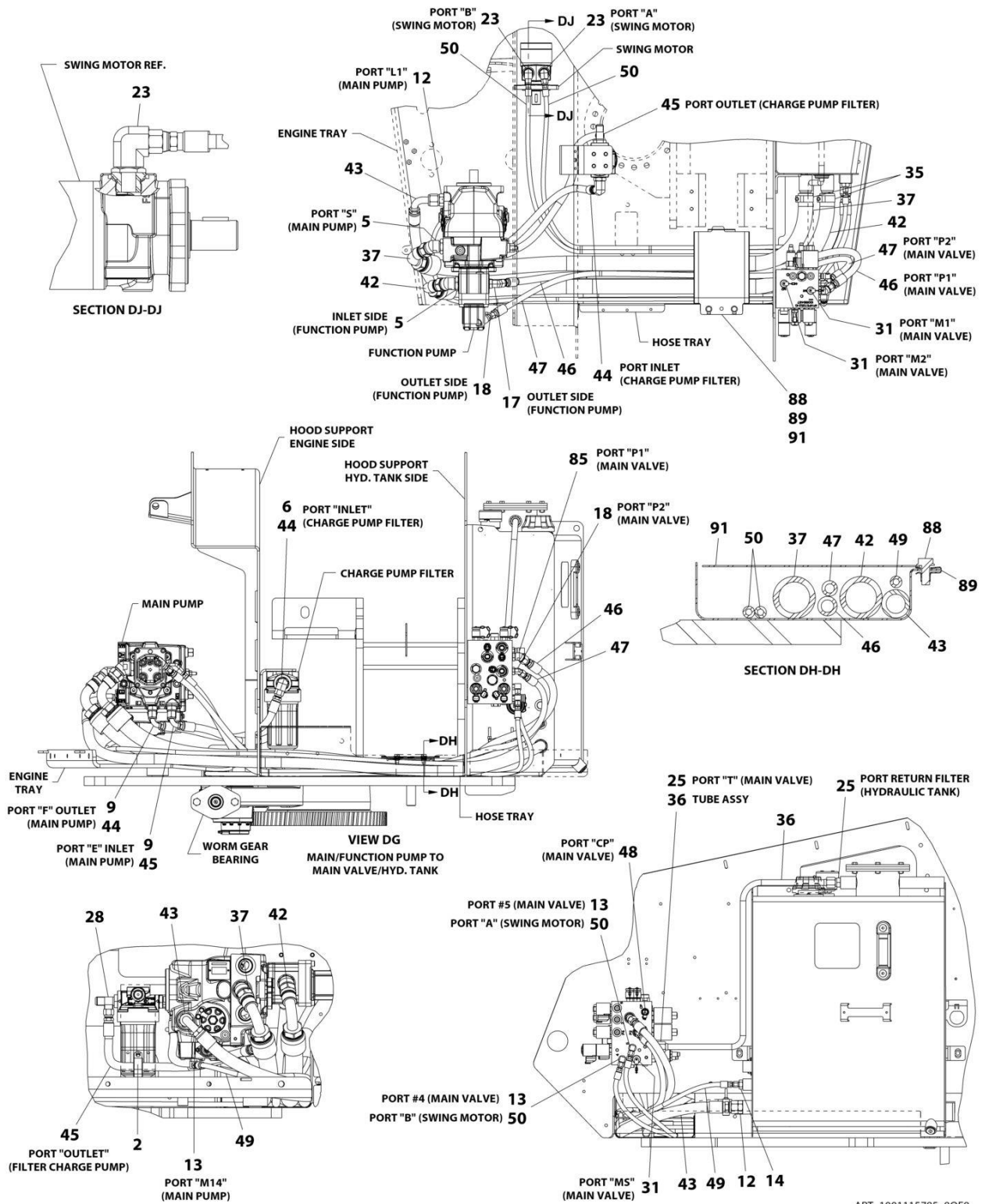
SEE VIEW DE
PORT #1
(MAIN VALVE)
78

SEE VIEW DE
PORT #2
(MAIN VALVE)
94



ART_1001115785_7OF8

SECTION 7 - HYDRAULIC



SECTION 7 - HYDRAULIC

FIGURE 7-1. HYDRAULIC INSTALLATION - WITHOUT ARCTIC PACKAGE

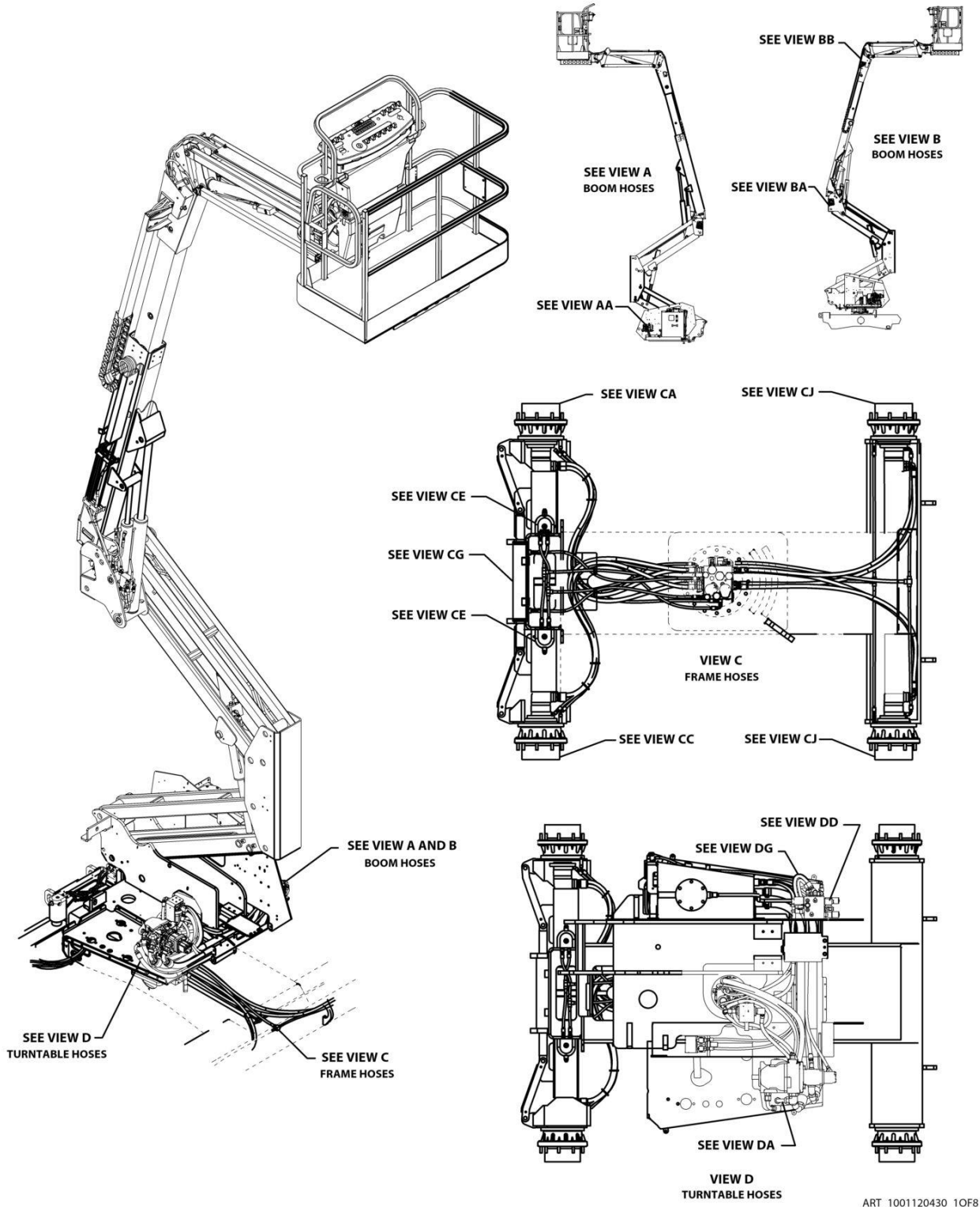
ITEM	PART NUMBER	QTY	DESCRIPTION	REV
	1001115785	Ref	HYDRAULIC INSTALLATION - WITHOUT ARCTIC PACKAGE	H
1	0761012	1	Bolt M10 x 25	
2	1321716	1	Clamp	
3	2110808	8	Fitting, Straight ORFS/ORB	
4	2131216	2	Fitting, 90 ORFS/ORB	
5	2220365	2	Fitting, 45 JIC/ORB	
6	2220366	1	Fitting, 90 JIC/ORB	
7	2220371	4	Fitting, Straight JIC/ORB	
8	2220373	1	Fitting, Straight JIC/ORB	
9	2220374	2	Fitting, Straight JIC/ORB	
11	2220415	23	Fitting, Straight JIC/ORB	
12	2220451	2	Fitting, Straight JIC/ORB	
13	2220466	6	Fitting, 90 JIC/ORB	
14	2220468	2	Fitting, Straight JIC/ORB	
15	2220472	6	Fitting, 90 JIC/ORB	
16	2220473	8	Fitting, 90 JIC/ORB	
17	2220499	1	Fitting, 45 JIC/ORB	
18	2220501	4	Fitting, 45 JIC/ORB	
19	2220502	2	Fitting, 45 JIC/ORB	
20	2220507	1	Fitting, 90 JIC/FSJIC	
21	2220582	2	Fitting, Straight JIC/ORB	
22	2220819	1	Fitting, 90 JIC/ORB	
23	2220828	2	Fitting, 90 JIC/ORB	
25	2220947	2	Fitting, Straight JIC/ORB	
28	2221041	1	Fitting, Tee	
29	2221053	1	Fitting, Run Tee	
30	2221060	1	Fitting, Run Tee JIC	
31	2221086	7	Fitting, Test Port	
32	3291005	1	Nut M10	
33	4240018	7	Tie-Strap	
34	77133089	2	Mini Check	
35	80633030	2	Clamp, Hose	
36	1001116905	1	Tube, Steel	
37	1001119035	1	Hose	
38	1001119068	1	Hose	
39	1001119069	1	Hose	
40	1001119070	1	Hose	
41	1001119071	1	Hose	
42	1001119143	1	Hose	
43	1001119237	1	Hose	
44	1001119324	1	Hose	
45	1001119365	1	Hose	
46	1001119404	1	Hose	
47	1001119449	1	Hose	
48	1001119455	1	Valve, Oil Sampling	
49	1001119489	1	Hose	
50	1001119525	2	Hose	
51	1001119546	4	Hose	
52	1001119547	2	Hose	
53	1001119548	2	Hose	

SECTION 7 - HYDRAULIC

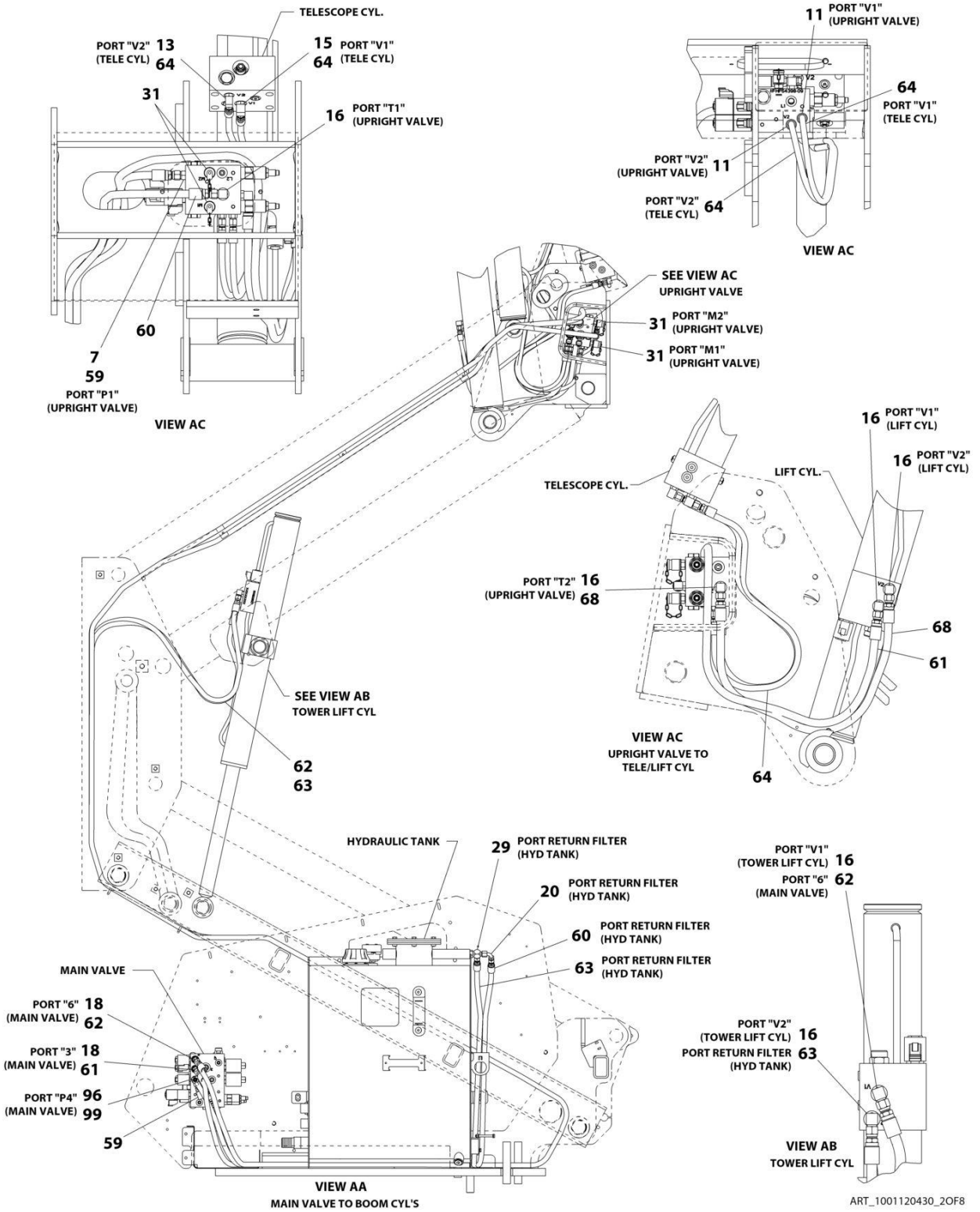
ITEM	PART NUMBER	QTY	DESCRIPTION	REV
54	1001119550	1	Hose	
55	1001119552	1	Hose	
56	1001119568	2	Hose	
57	1001119569	1	Hose	
58	1001119570	1	Hose	
59	1001119572	1	Hose	
60	1001119577	1	Hose	
61	1001119593	1	Hose	
62	1001119594	1	Hose	
63	1001119595	1	Hose	
64	1001119596	2	Hose	
65	1001119597	1	Hose	
66	1001119598	1	Hose	
67	1001119600	2	Hose	
68	1001119602	1	Hose	
69	1001119603	1	Hose	
70	1001119604	2	Hose	
71	1001119605	2	Hose	
72	1001119606	1	Hose	
73	1001119607	1	Hose	
74	1001119608	1	Hose	
75	1001119610	1	Hose	
76	1001119611	1	Hose	
77	1001119612	2	Fitting, Straight ORB/ORFS	
78	1001119613	1	Hose	
79	1001119626	3	Fitting, Straight JIC/ORB	
80	1001119627	2	Fitting, Straight JIC/ORB	
81	1001119630	4	Fitting, Straight JIC/MPP	
82	2220605	1	Fitting, Tee JIC/FSJIC/JIC	
83	4641284	2	Valve, Orifice Check	
84	2110810	8	Fitting, Straight ORFS/ORB	
85	2220500	1	Fitting, 45 JIC/ORB	
86	2220940	2	Fitting, 90 JIC/ORB	
87	4100066	1	Sleeve, Hose Wrap	
88	5250810	2	Bolt M8 x 20	
89	8310686	2	Retainer M8	
90	91143172	1	Coupling	
91	1001121221	1	Cover, Tray	
92	1001121966	1	Hose	
93	1001125108	1	Fitting, Straight JIC/ORB	
94	1001125249	1	Hose	
95	0700510	1	Bolt M5 x 20	
96	2220635	1	Fitting, Tee JIC/FSJIC/JIC	
97	3290605	1	Nut M6	
98	4811700	2	Washer M6	
99	80233041	1	Fitting, Check	
100	85941016	1	Clamp	
101	1001127703	1	Hose	
102	1001127705	1	Hose	

SECTION 7 - HYDRAULIC

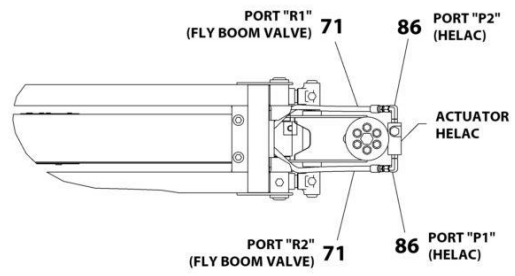
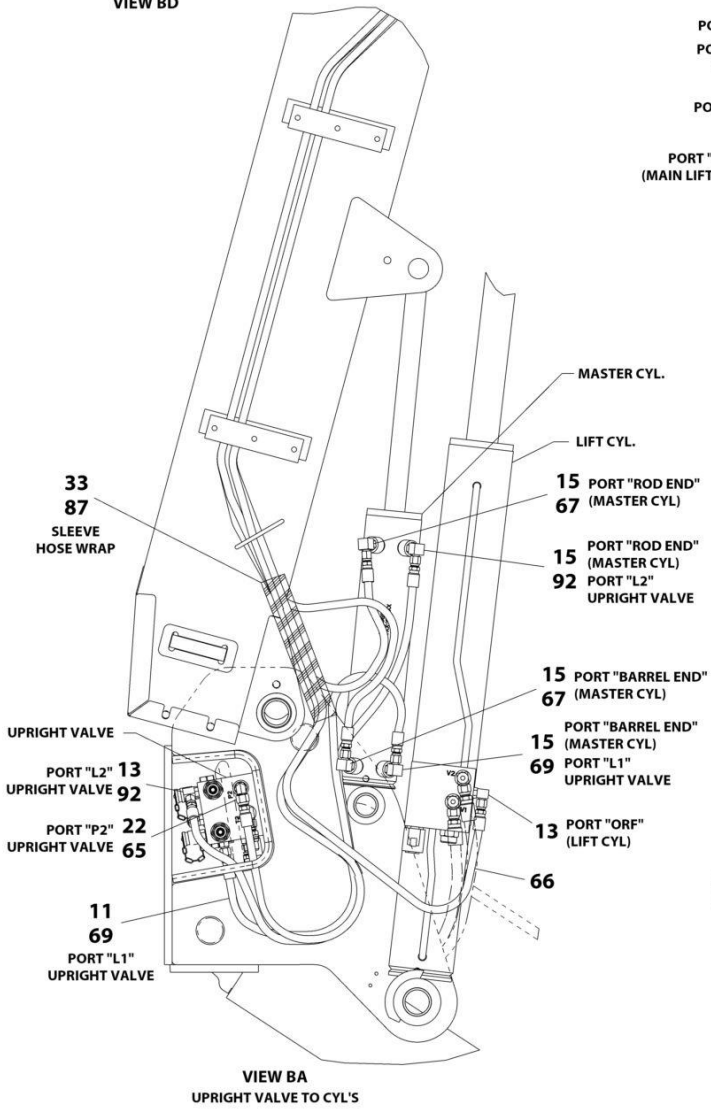
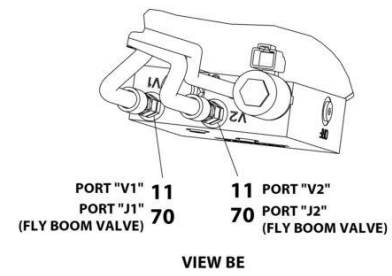
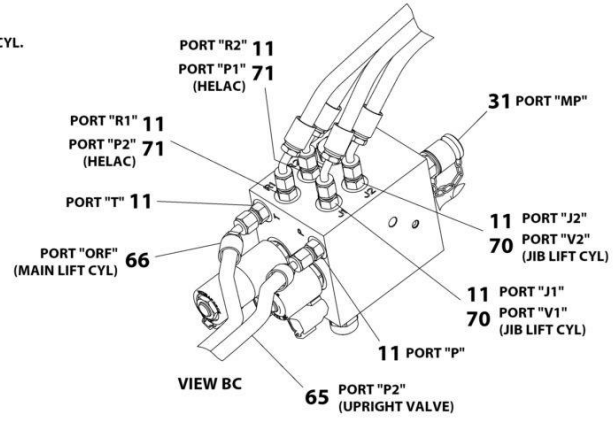
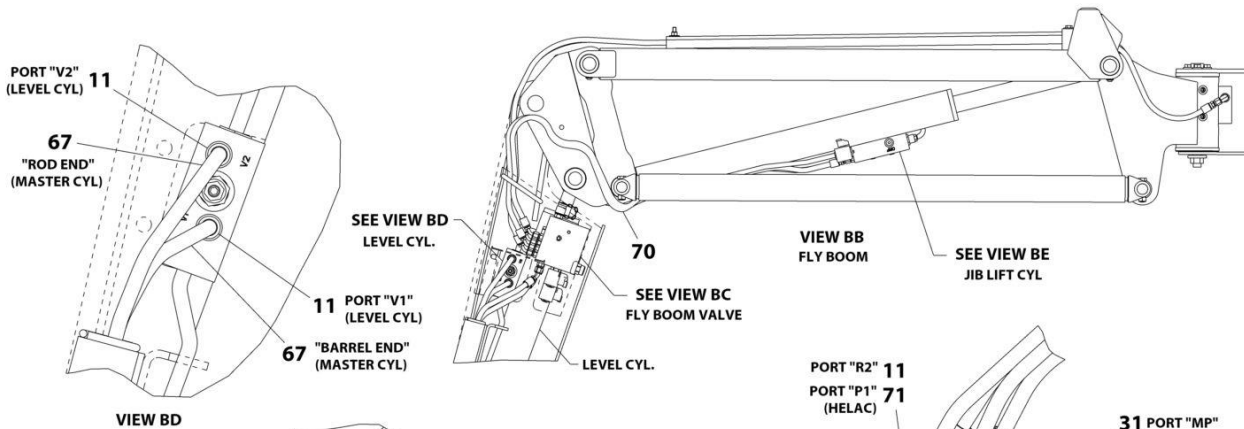
FIGURE 7-2. HYDRAULIC INSTALLATION - WITH ARCTIC PACKAGE



SECTION 7 - HYDRAULIC

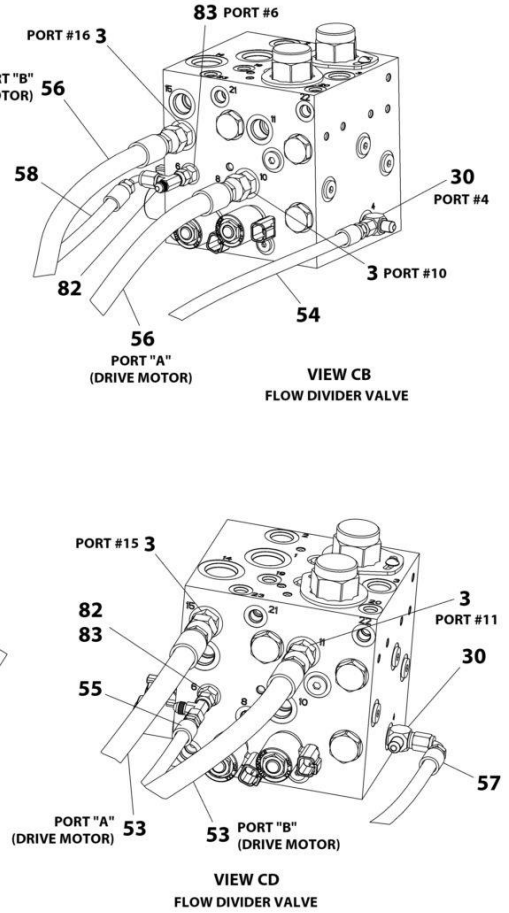
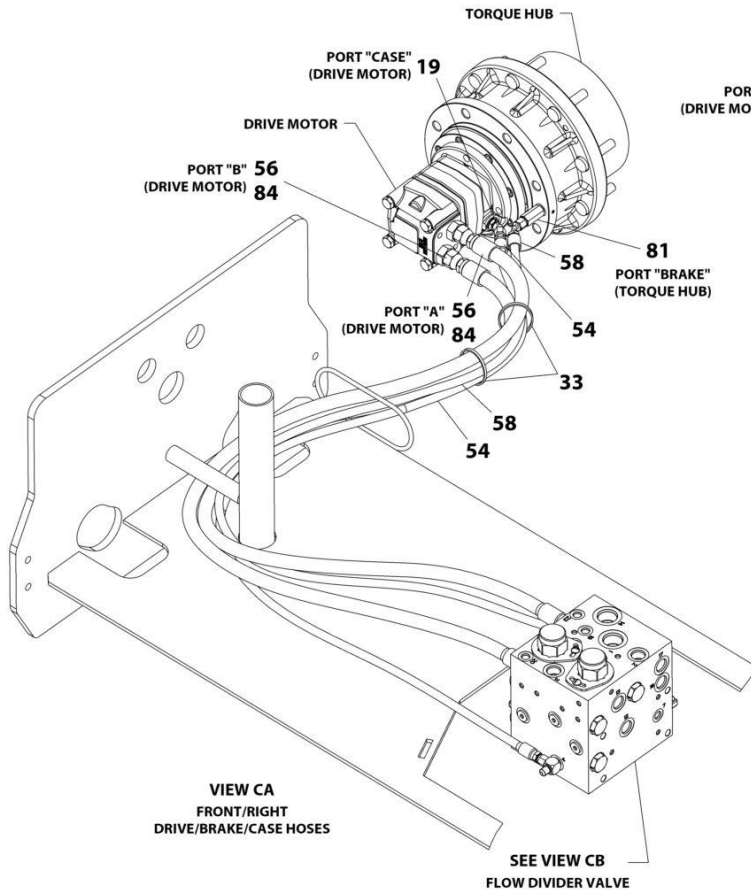


SECTION 7 - HYDRAULIC



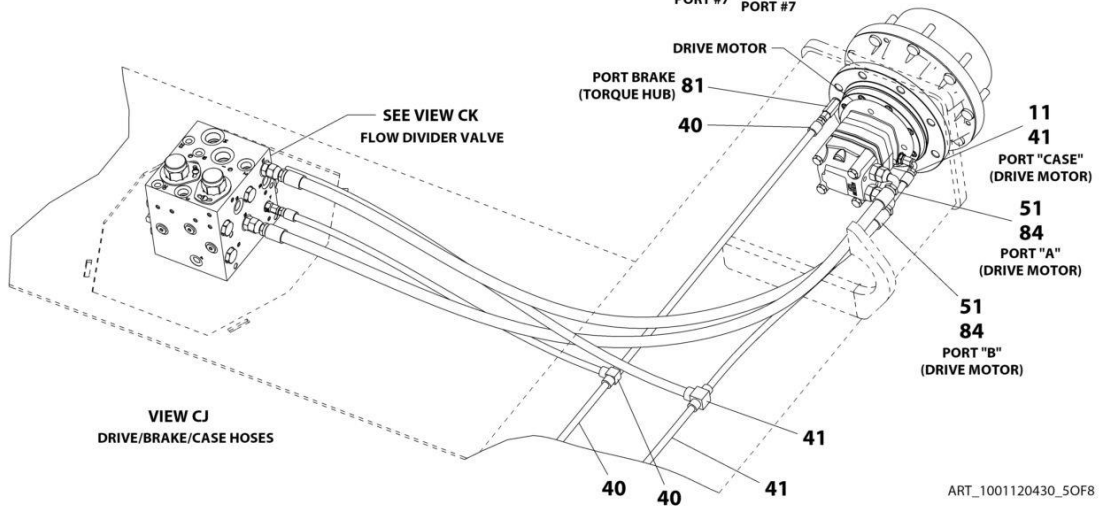
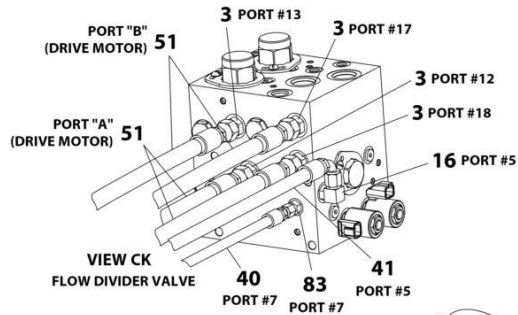
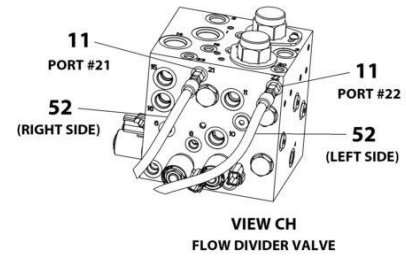
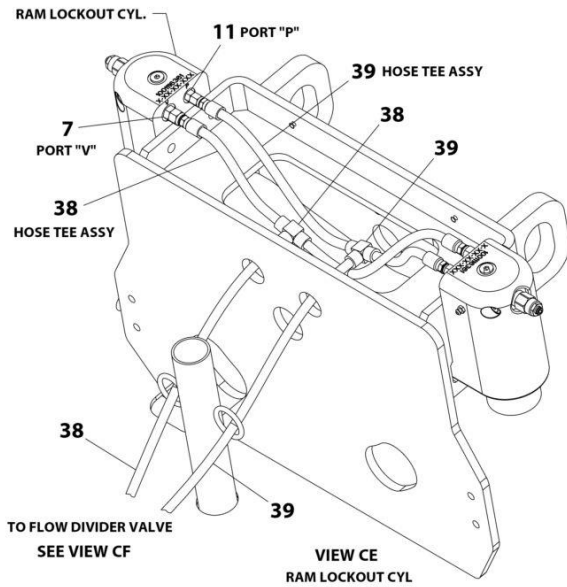
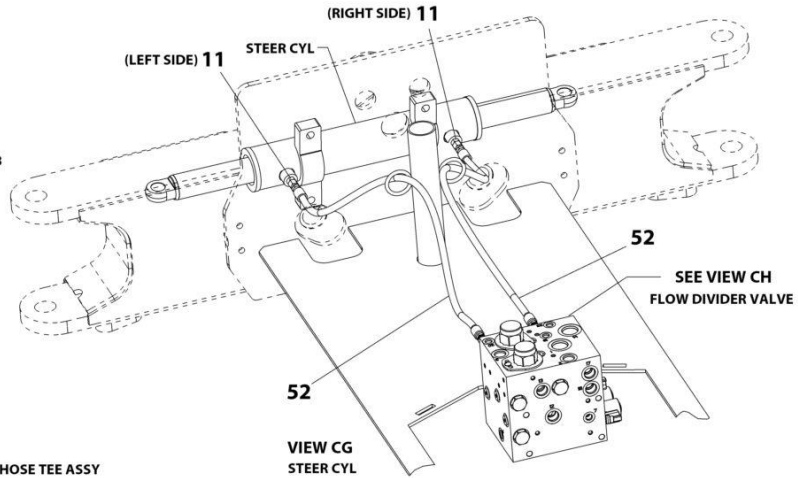
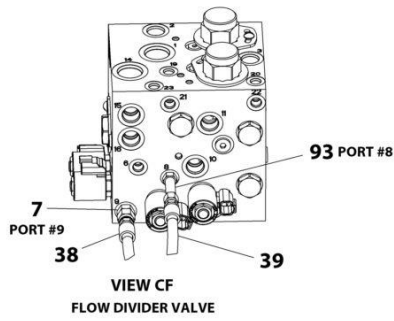
ART_1001120430_30F8

SECTION 7 - HYDRAULIC



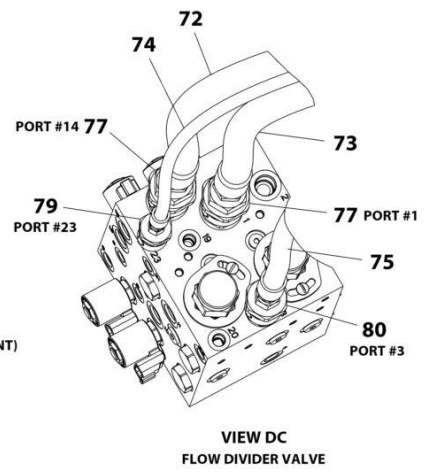
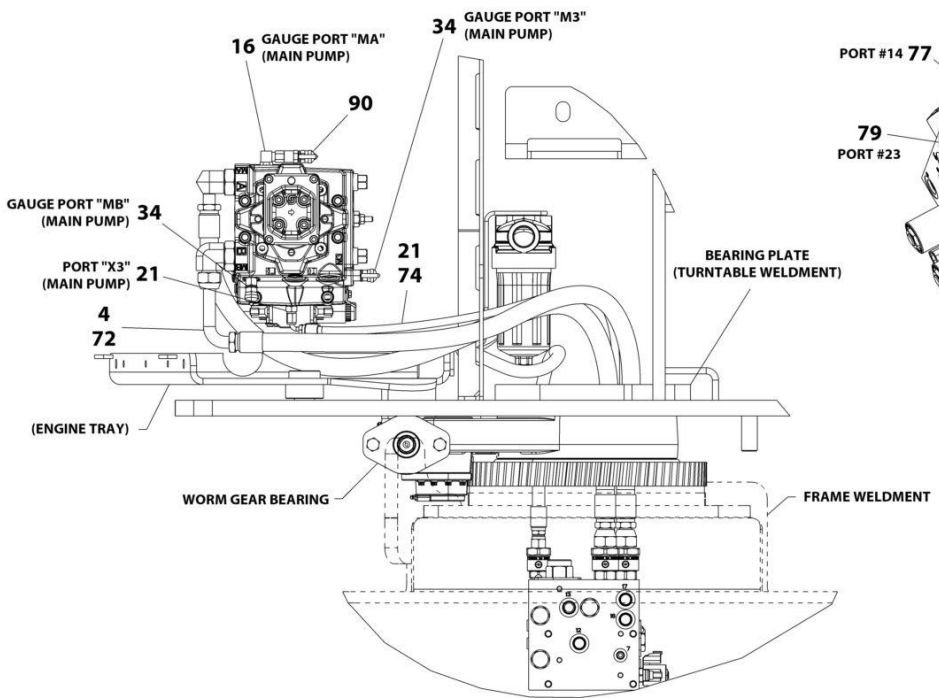
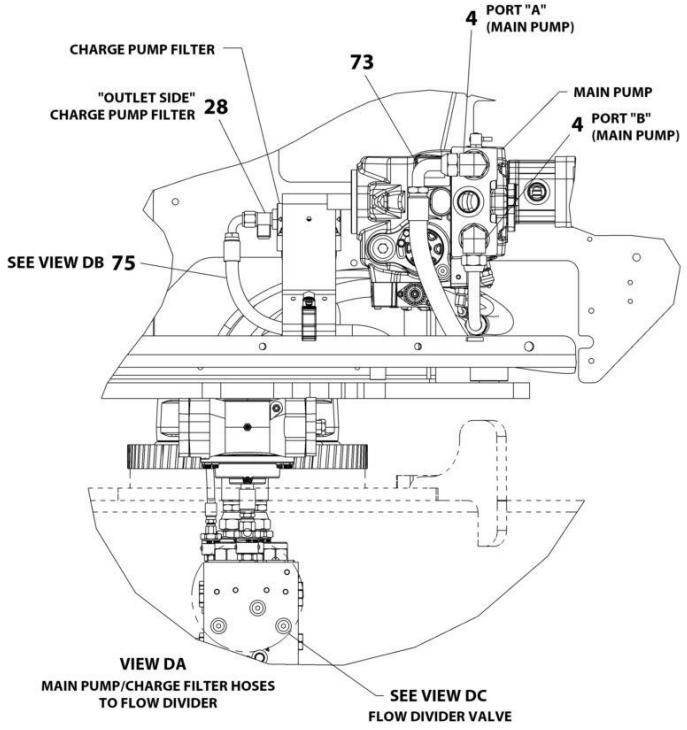
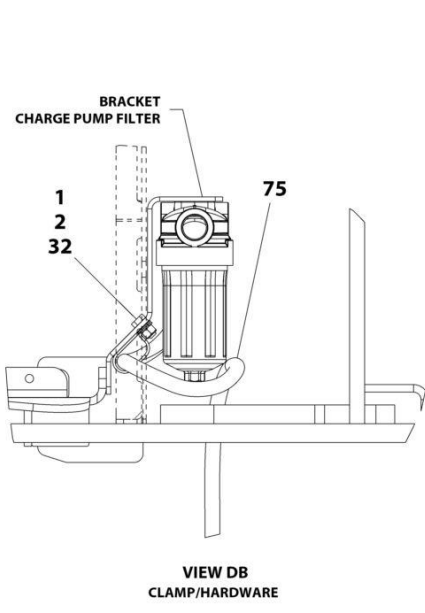
ART_1001120430_40F8

SECTION 7 - HYDRAULIC



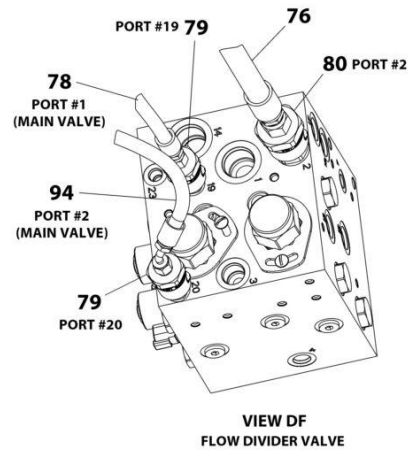
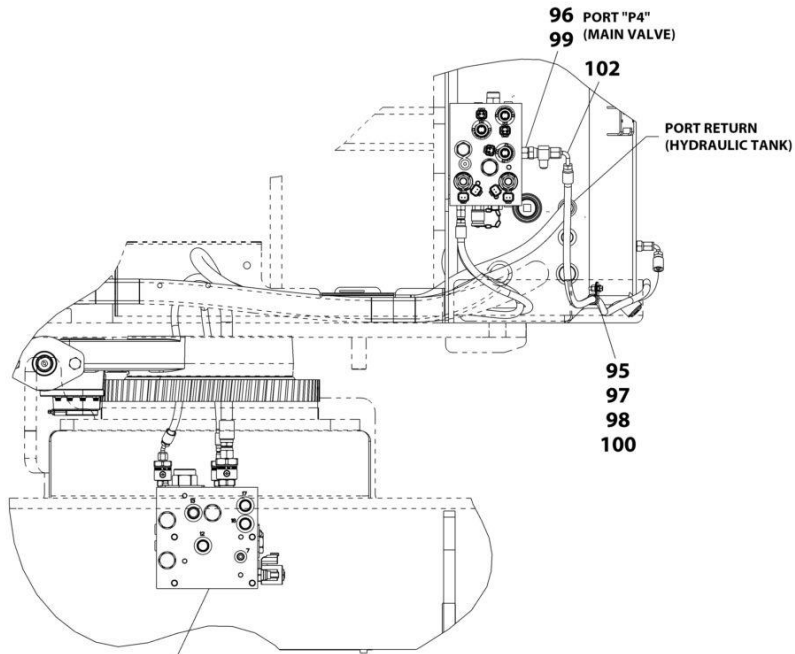
ART_1001120430_SOF8

SECTION 7 - HYDRAULIC

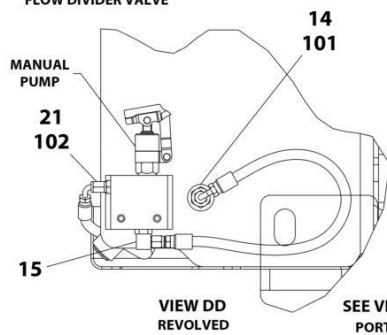


ART_1001120430_60F8

SECTION 7 - HYDRAULIC



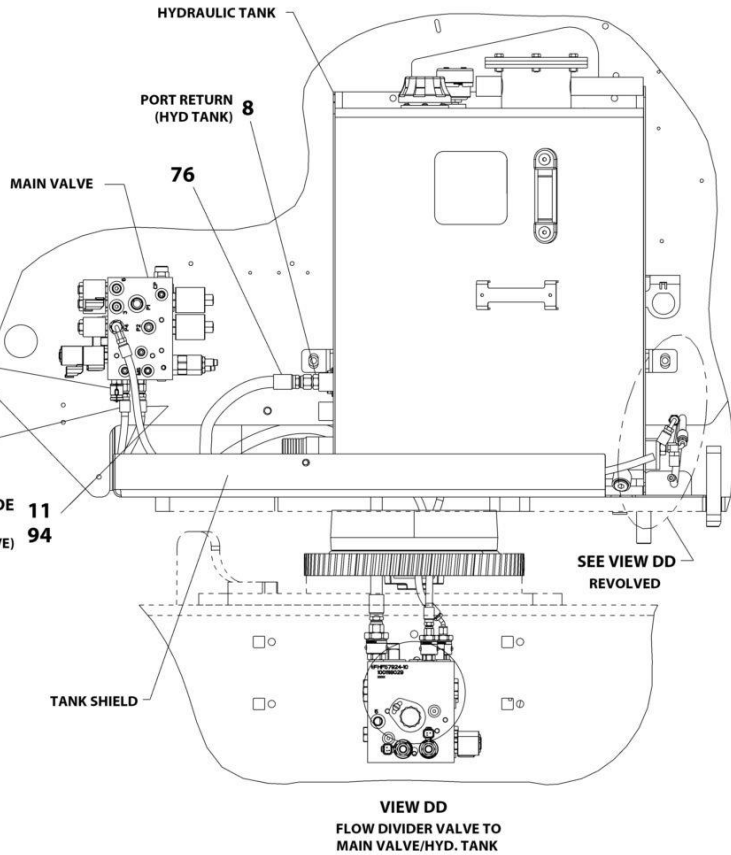
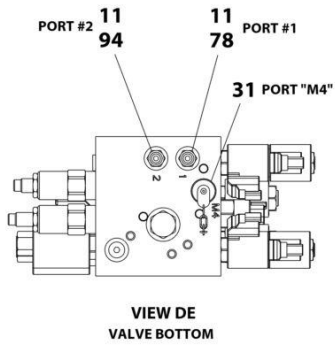
SEE VIEW DF
FLOW DIVIDER VALVE



SEE VIEW DE
PORT "M4"
(MAIN VALVE)
31

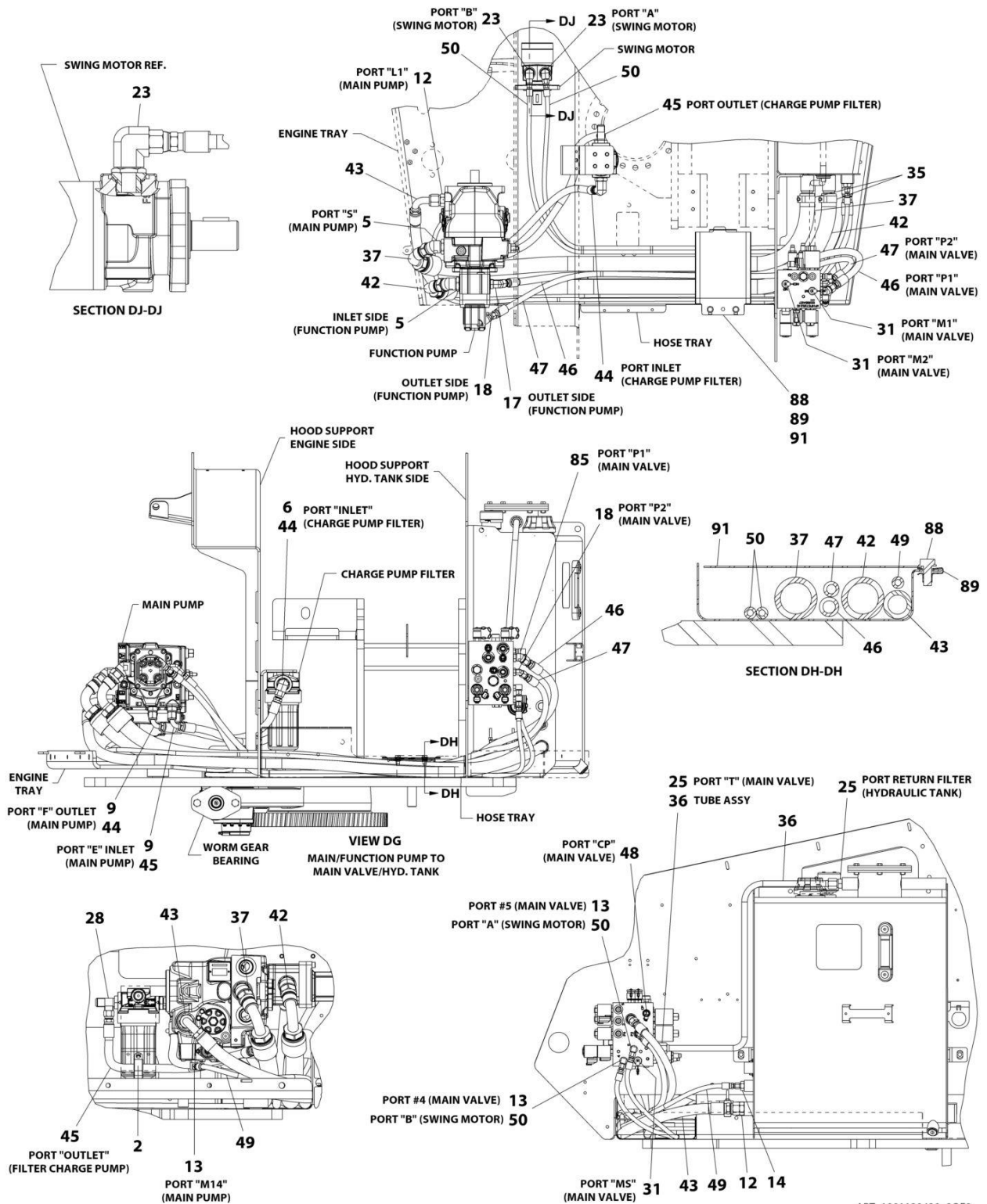
SEE VIEW DE
PORT #1
(MAIN VALVE)
78

SEE VIEW DE
PORT #2
(MAIN VALVE)
94



ART_1001120430_70F8

SECTION 7 - HYDRAULIC



SECTION 7 - HYDRAULIC

FIGURE 7-2. HYDRAULIC INSTALLATION - WITH ARCTIC PACKAGE

ITEM	PART NUMBER	QTY	DESCRIPTION	REV
	1001120430	Ref	HYDRAULIC INSTALLATION - WITH ARCTIC PACKAGE	F
1	0761012	1	Bolt M10 x 25	
2	1321716	1	P-Clamp	
3	2110808	8	Fitting, Straight ORFS/ORB	
4	2131216	2	Fitting, 90 ORFS/ORB	
5	2220365	2	Fitting, 45 JIC/ORB	
6	2220366	1	Fitting, 90 JIC/ORB	
7	2220371	4	Fitting, Straight JIC/ORB	
8	2220373	1	Fitting, Straight JIC/ORB	
9	2220374	2	Fitting, Straight JIC/ORB	
11	2220415	23	Fitting, Straight JIC/ORB	
12	2220451	2	Fitting, Straight JIC/ORB	
13	2220466	6	Fitting, 90 JIC/ORB	
14	2220468	2	Fitting, Straight JIC/ORB	
15	2220472	6	Fitting, 90 JIC/ORB	
16	2220473	8	Fitting, 90 JIC/ORB	
17	2220499	1	Fitting, 45 JIC/ORB	
18	2220501	4	Fitting, 45 JIC/ORB	
19	2220502	2	Fitting, 45 JIC/ORB	
20	2220507	1	Fitting, 90 JIC/FSJIC	
21	2220582	2	Fitting, Straight JIC/ORB	
22	2220819	1	Fitting, 90 JIC/ORB	
23	2220828	2	Fitting, 90 JIC/ORB	
25	2220947	2	Fitting, Straight JIC/ORB	
28	2221041	1	Fitting, Tee	
29	2221053	1	Fitting, Run Tee	
30	2221060	1	Fitting, Run Tee JIC	
31	2221086	7	Fitting, Test Port	
32	3291005	1	Nut M10	
33	4240018	7	Tie-Strap	
34	77133089	2	Mini Check	
35	80633030	2	Clamp, Hose	
36	1001116905	1	Tube, Steel	
37	1001119035	1	Hose	
38	1001119068	1	Hose	
39	1001119069	1	Hose	
40	1001119070	1	Hose	
41	1001119071	1	Hose	
42	1001119143	1	Hose	
43	1001119237	1	Hose	
44	1001119324	1	Hose	
45	1001119365	1	Hose	
46	1001119404	1	Hose	
47	1001119449	1	Hose	
48	1001119455	1	Valve, Oil Sampling	
49	1001119489	1	Hose	
50	1001119525	2	Hose	
51	1001119546	4	Hose	
52	1001119547	2	Hose	
53	1001120424	2	Hose	

SECTION 7 - HYDRAULIC

ITEM	PART NUMBER	QTY	DESCRIPTION	REV
54	1001120425	1	Hose	
55	1001120426	1	Hose	
56	1001120427	2	Hose	
57	1001120428	1	Hose	
58	1001120429	1	Hose	
59	1001119572	1	Hose	
60	1001119577	1	Hose	
61	1001119593	1	Hose	
62	1001119594	1	Hose	
63	1001119595	1	Hose	
64	1001119596	2	Hose	
65	1001119597	1	Hose	
66	1001119598	1	Hose	
67	1001119600	2	Hose	
68	1001119602	1	Hose	
69	1001119603	1	Hose	
70	1001119604	2	Hose	
71	1001119605	2	Hose	
72	1001119606	1	Hose	
73	1001119607	1	Hose	
74	1001119608	1	Hose	
75	1001119610	1	Hose	
76	1001119611	1	Hose	
77	1001119612	2	Fitting, Straight ORB/ORFS	
78	1001119613	1	Hose	
79	1001119626	3	Fitting, Straight JIC/ORB	
80	1001119627	2	Fitting, Straight JIC/ORB	
81	1001119630	4	Fitting, Straight JIC/MPP	
82	2220605	1	Fitting, Tee JIC/FSJIC/JIC	
83	4641284	2	Valve, Orifice Check	
84	2110810	8	Fitting, Straight ORFS/ORB	
85	2220500	1	Fitting, 45 JIC/ORB	
86	2220940	2	Fitting, 90 JIC/ORB	
87	4100066	1	Sleeve, Hose Wrap	
88	5250810	2	Bolt M8 x 20	
89	8310686	2	Retainer M8	
90	91143172	1	Coupling	
91	1001121221	1	Cover, Tray	
92	1001121966	1	Hose	
93	1001125108	1	Fitting, Straight JIC/ORB	
94	1001125249	1	Hose	
95	0700510	1	Bolt M5 x 20	
96	2220635	1	Fitting, Tee JIC/FSJIC/JIC	
97	3290605	1	Nut M6	
98	4811700	2	Washer M6	
99	80233041	1	Fitting, Check	
100	85941016	1	Clamp	
101	1001127703	1	Hose	
102	1001127705	1	Hose	

SECTION 7 - HYDRAULIC

FIGURE 7-3. HYDRAULIC DIAGRAM LIST

ITEM	PART NUMBER	QTY	DESCRIPTION	REV
		Ref	Note: Diagrams not shown are available from JLG Service/Parts Departments.	
		Ref	HYDRAULIC DIAGRAM LIST	
		Ref	Hydraulic Diagram Installation	
	1001115785	Ref	Hydraulic Diagram Installation - Without Arctic Package	
	1001120430	Ref	Hydraulic Diagram Installation - With Arctic Package	
	1001120020	Ref	Standard Hydraulic Schematic	

SECTION 8 - ELECTRICAL

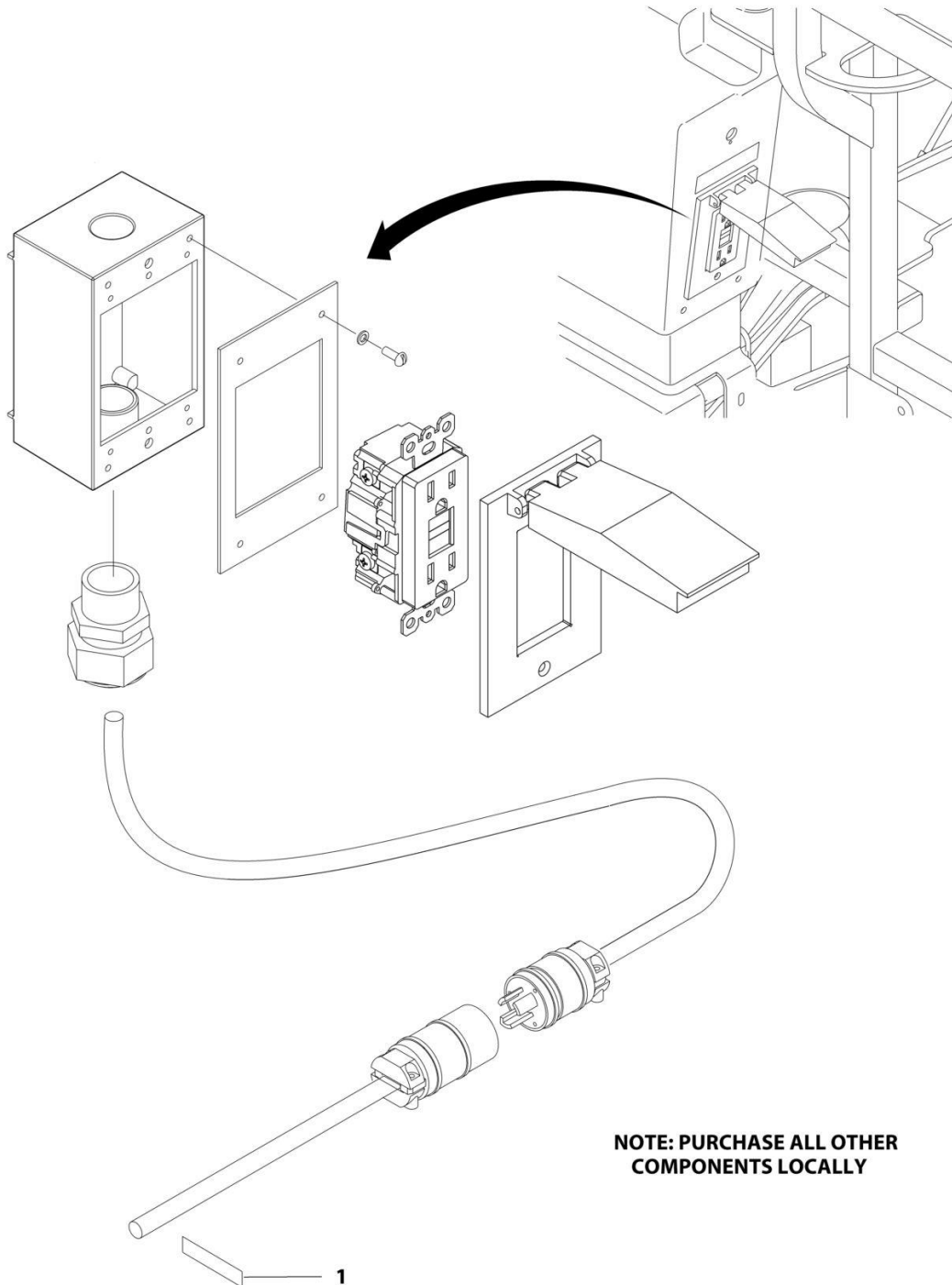
SECTION 8 - ELECTRICAL

FIGURE 8-1. ELECTRICAL DIAGRAM LIST

ITEM	PART NUMBER	QTY	DESCRIPTION	REV
		Ref	Note: Diagrams not shown are available from the JLG Service Department.	
		Ref	ELECTRICAL DIAGRAM LIST	
	1001195160	Ref	Generator Electrical Diagram - 4000W/50Hz (ANSI Export, China and Japanese Specs)	
	1001169769	Ref	Generator Electrical Diagram - 4000W/50Hz (Australian Specs)	
	1001169771	Ref	Generator Electrical Diagram - 4000W/50Hz (CE Specs)	
	1001169770	Ref	Generator Electrical Diagram - 4000W/50Hz (UK Specs)	
	1001169768	Ref	Generator Electrical Diagram - 4000W/60Hz (ANSI, ANSI Export, China, CSA and Japanese Specs)	
	1001119638	Ref	Standard Electrical Schematic	

SECTION 8 - ELECTRICAL

FIGURE 8-2. AC BOX AT PLATFORM INSTALLATION - LOCALLY SUPPLIED COMPONENTS (ANSI EXPORT, AUSTRALIAN AND CHINA SPECS)



NOTE: PURCHASE ALL OTHER COMPONENTS LOCALLY

ART_1001119870

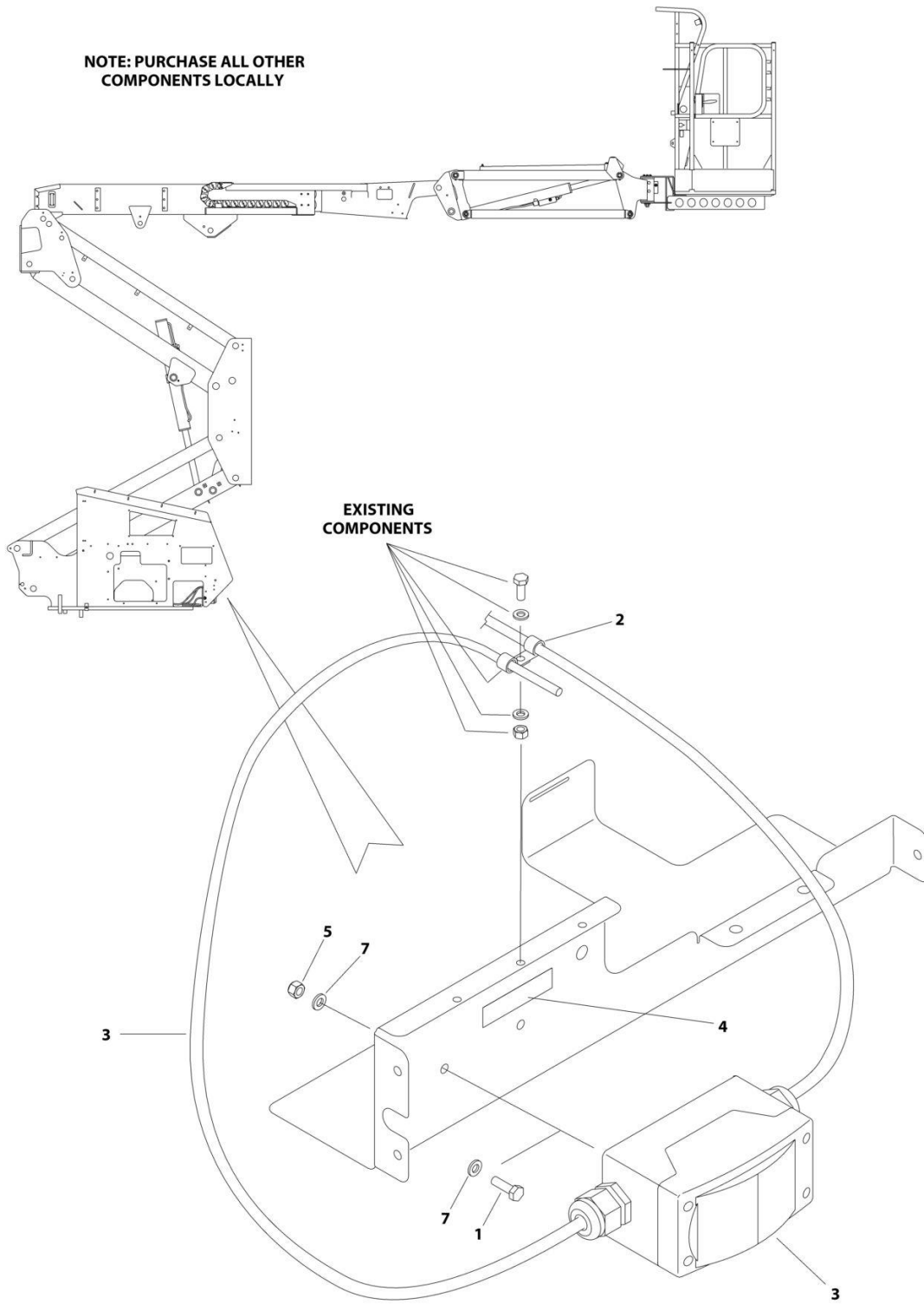
SECTION 8 - ELECTRICAL

FIGURE 8-2. AC BOX AT PLATFORM INSTALLATION - LOCALLY SUPPLIED COMPONENTS (ANSI EXPORT, AUSTRALIAN AND CHINA SPECS)

ITEM	PART NUMBER	QTY	DESCRIPTION	REV
	1001119870	Ref	AC BOX AT PLATFORM INSTALLATION - LOCALLY SUPPLIED COMPONENTS (ANSI EXPORT, AUSTRALIAN AND CHINA SPECS)	A
1	3251243	1	Decal - 120V-60Hz	

SECTION 8 - ELECTRICAL

FIGURE 8-3. AC BOX AT PLATFORM INSTALLATION - LOCALLY SUPPLIED (CE SPEC)



ART_1001130588

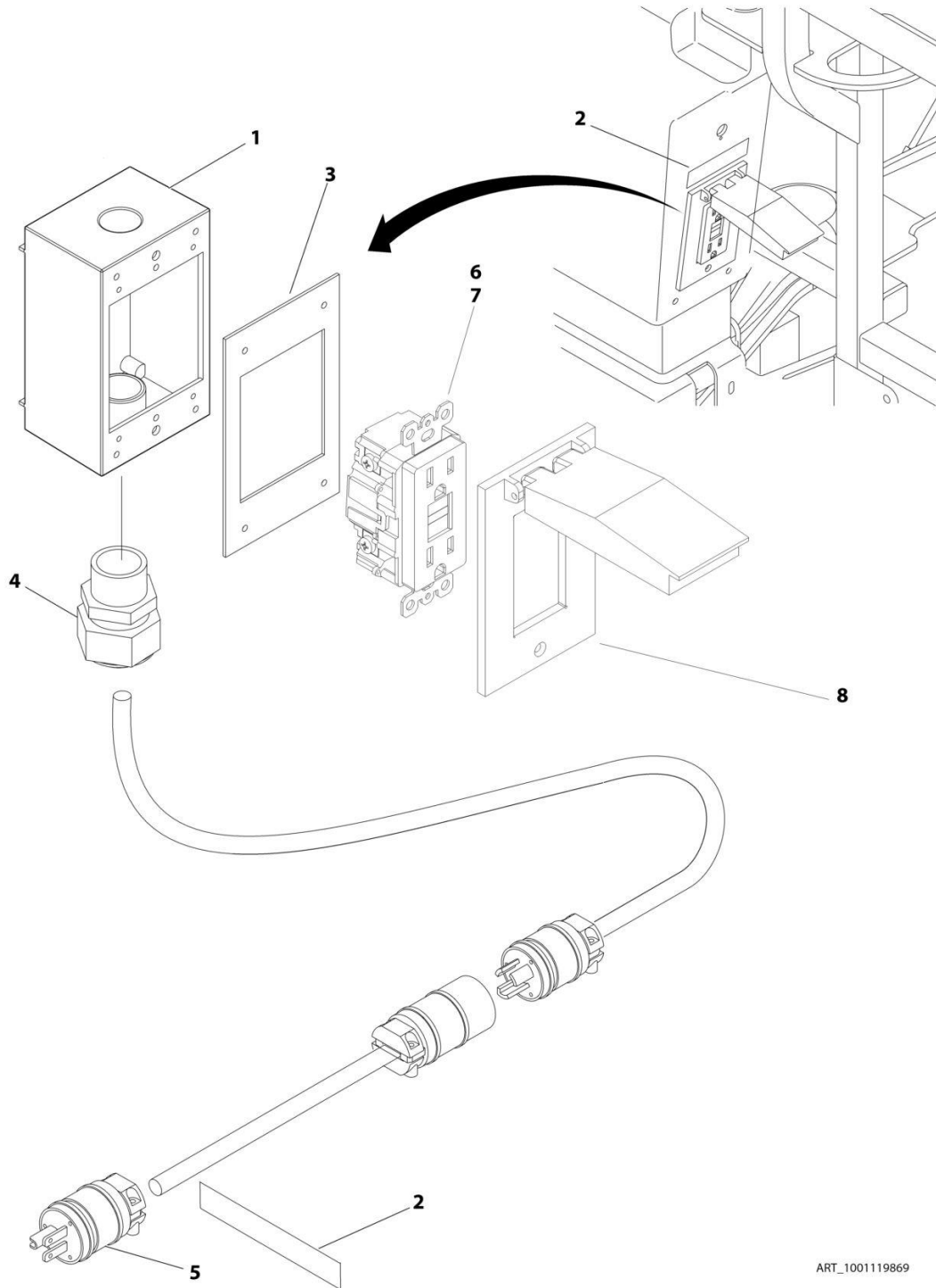
SECTION 8 - ELECTRICAL

FIGURE 8-3. AC BOX AT PLATFORM INSTALLATION - LOCALLY SUPPLIED (CE SPEC)

ITEM	PART NUMBER	QTY	DESCRIPTION	REV
	1001130588	Ref	AC BOX AT PLATFORM INSTALLATION - LOCALLY SUPPLIED (CE SPEC)	A
1	0760610	2	Bolt M6 x 20	
2	1320043	1	Clamp	
3	2902549	1	Breaker Box Kit (See BREAKER BOX KIT (CE SPEC) for Breakdown)	
4	3252507	1	Decal - 220V-50/60Hz	
5	3290605	2	Nut M6	
6	4460121	3	Cap, Wire (Not Shown - Located inside Receptacle Box)	
7	4811700	4	Washer M6	

SECTION 8 - ELECTRICAL

FIGURE 8-4. AC BOX AT PLATFORM INSTALLATION - 110V (ANSI, ANSI EXPORT, CHINA, CSA AND JAPANESE SPECS)



ART_1001119869

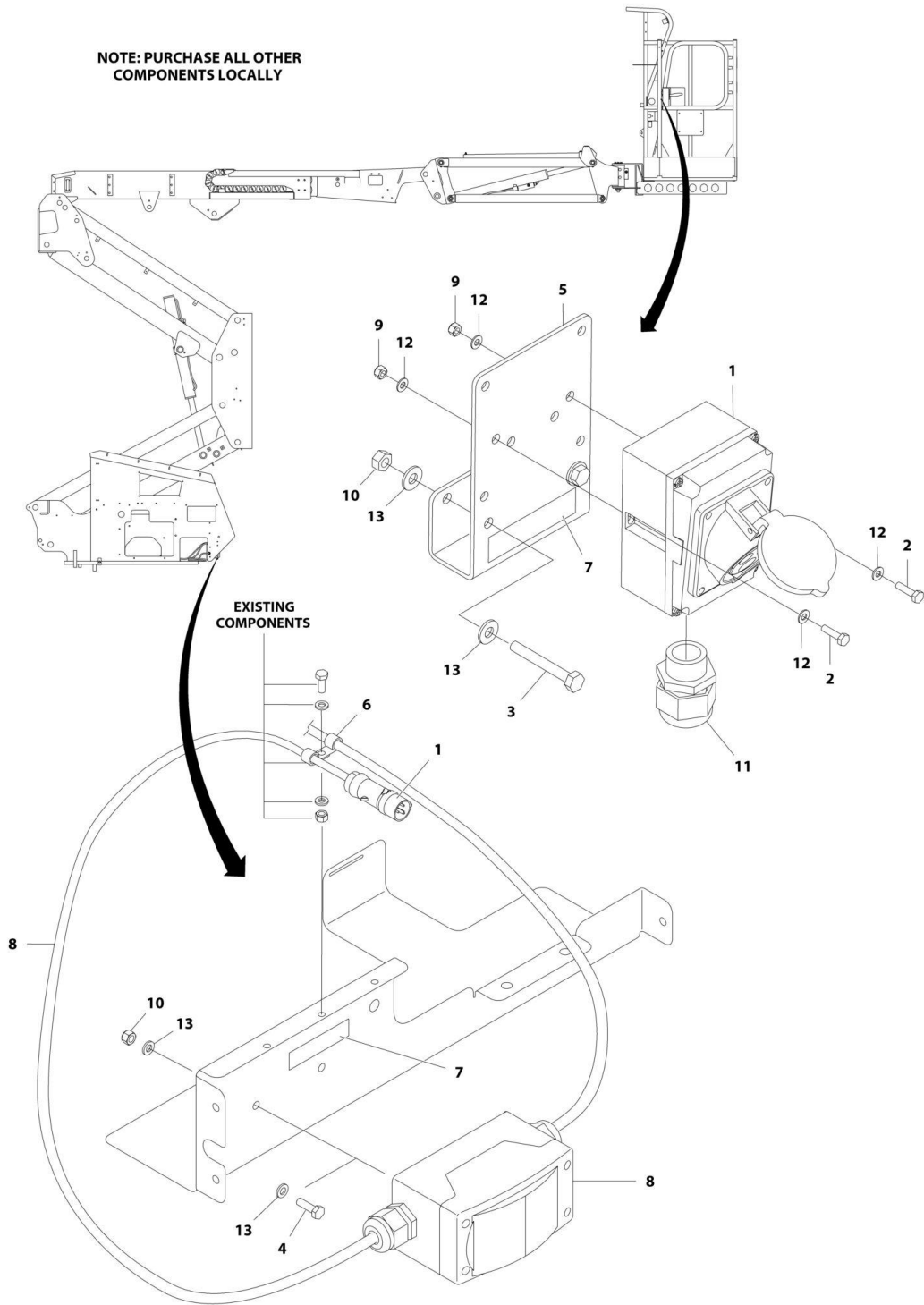
SECTION 8 - ELECTRICAL

FIGURE 8-4. AC BOX AT PLATFORM INSTALLATION - 110V (ANSI, ANSI EXPORT, CHINA, CSA AND JAPANESE SPECS)

ITEM	PART NUMBER	QTY	DESCRIPTION	REV
	1001119869	Ref	AC BOX AT PLATFORM INSTALLATION - 110V (ANSI, ANSI EXPORT, CHINA, CSA AND JAPANESE SPECS)	A
1	0860038	1	Box, Switch	
2	3251243	2	Decal - 120V-60Hz	
3	3960422	1	Gasket	
4	4460071	1	Connector, Strain Relief	
5	4460205	1	Plug, Male	
6	4460315	3	Terminal, Spade	
7	4460346	1	Receptacle	
8	1001110873	1	Shield, Cover	

SECTION 8 - ELECTRICAL

FIGURE 8-5. AC BOX AT PLATFORM INSTALLATION - 110V IEC YELLOW WITHOUT 4000W GENERATOR (CE SPEC)



ART_100119875

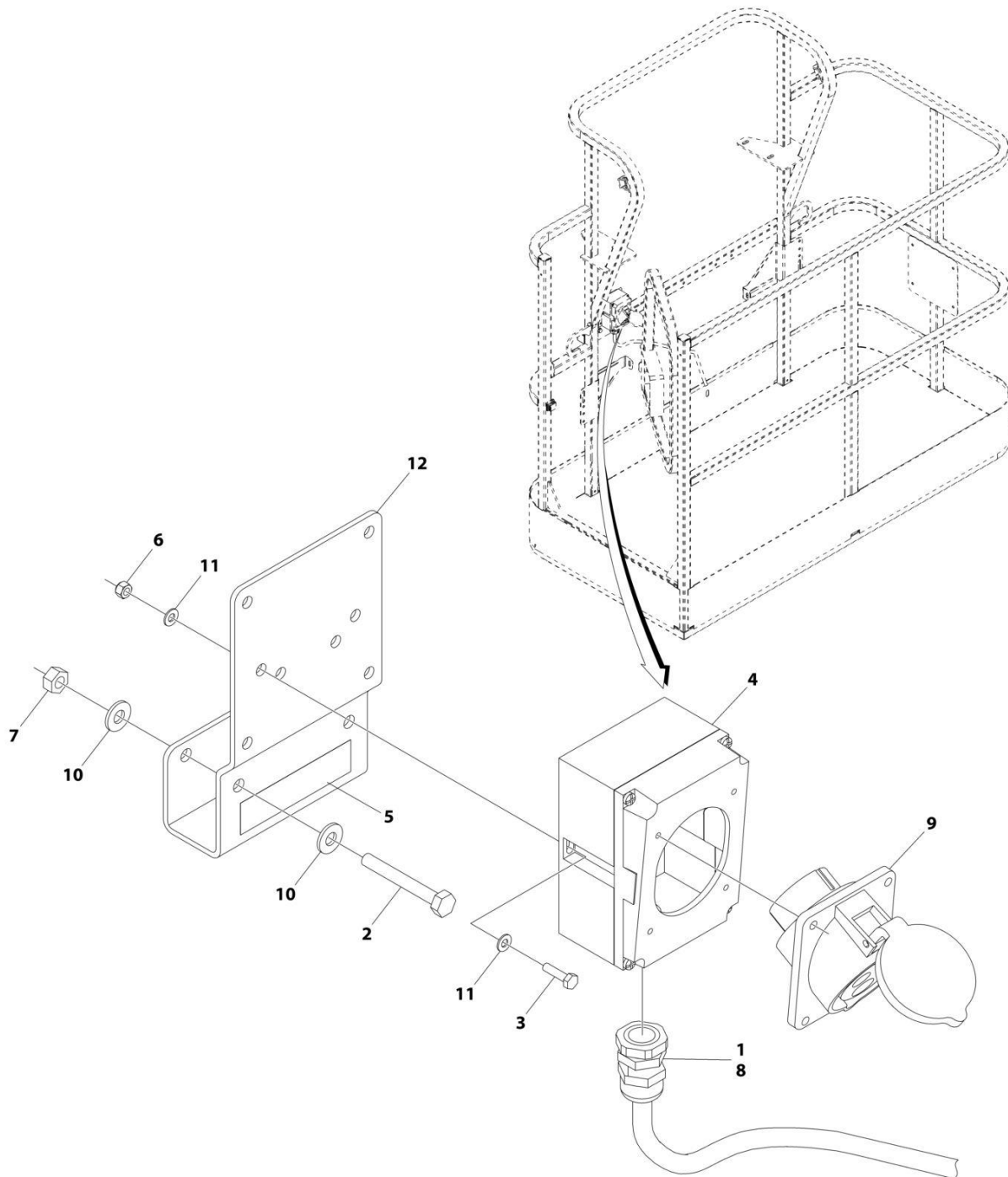
SECTION 8 - ELECTRICAL

FIGURE 8-5. AC BOX AT PLATFORM INSTALLATION - 110V IEC YELLOW WITHOUT 4000W GENERATOR (CE SPEC)

ITEM	PART NUMBER	QTY	DESCRIPTION	REV
	1001119875	Ref	AC BOX AT PLATFORM INSTALLATION - 110V IEC YELLOW WITHOUT 4000W GENERATOR (CE SPEC)	B
1	0275216	1	Receptacle Box Kit (See RECEPTACLE BOX KIT - 110V IEC YELLOW (CE SPEC) for Breakdown)	
2	0700408	2	Bolt M4 x 16	
3	0700618	2	Bolt M6 x 50	
4	0760610	2	Bolt M6 x 20	
5	1001193018	1	Bracket	
6	1320043	1	Clamp	
7	1705325	2	Decal - 120V-50Hz	
8	2902549	1	Breaker Box Kit (See BREAKER BOX KIT (CE SPEC) for Breakdown)	
9	3290405	2	Nut M4	
10	3290605	4	Nut M6	
11	4460968	1	Connector, Strain Relief	
12	4811400	4	Washer M4	
13	4811700	8	Washer M6	

SECTION 8 - ELECTRICAL

FIGURE 8-6. AC BOX AT PLATFORM INSTALLATION - 110V IEC YELLOW WITH 4000W GENERATOR (CE SPECS)



ART_1001194203

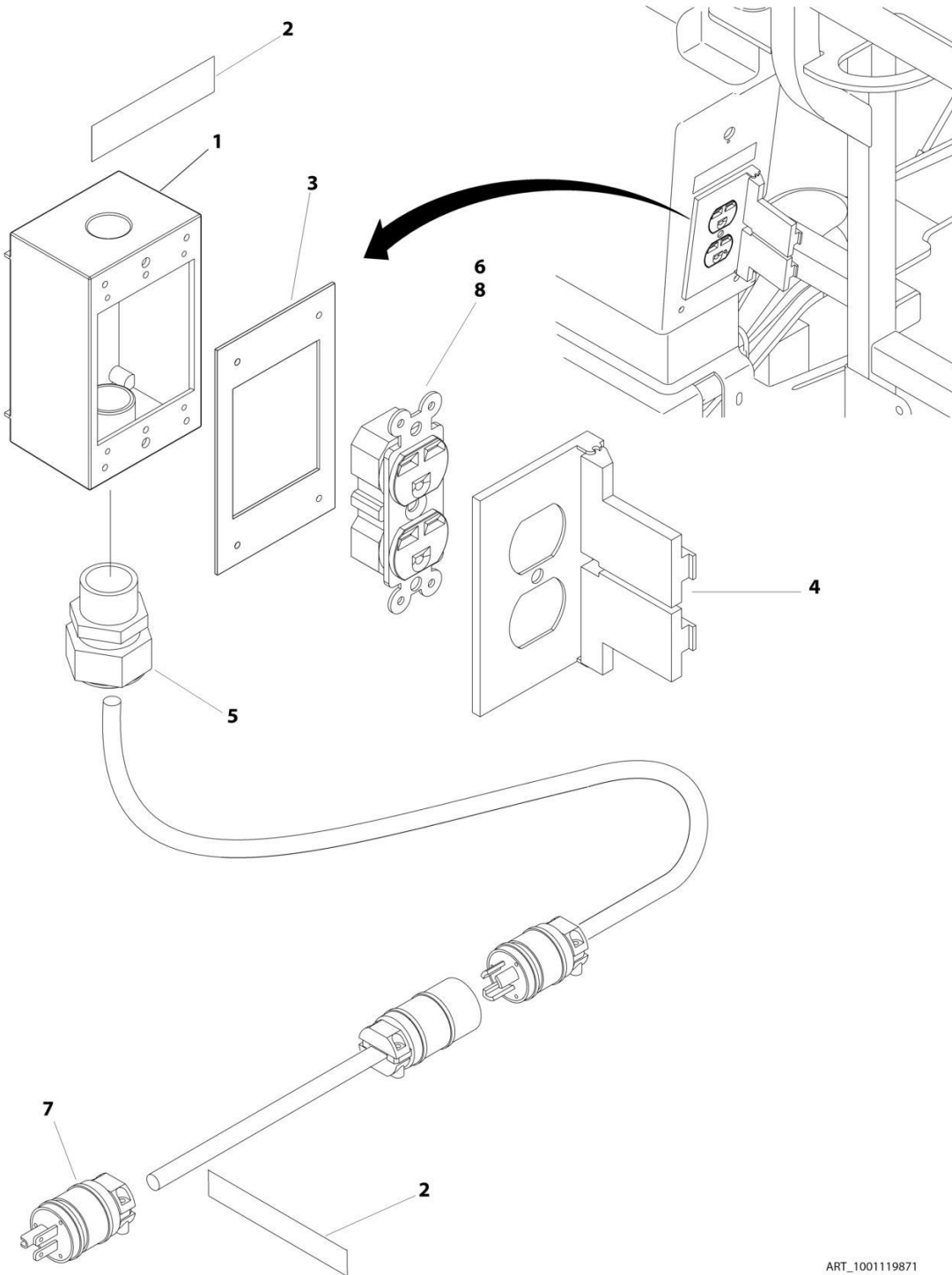
SECTION 8 - ELECTRICAL

**FIGURE 8-6. AC BOX AT PLATFORM INSTALLATION - 110V IEC YELLOW WITH 4000W GENERATOR
(CE SPECS)**

ITEM	PART NUMBER	QTY	DESCRIPTION	REV
	1001194203	Ref	AC BOX AT PLATFORM INSTALLATION - 110V IEC YELLOW WITH 4000W GENERATOR (CE SPECS)	B
1	0100020	AR	Sealant, Pipe	
2	0641416	2	Bolt 1/4 x 2	
3	0700408	2	Bolt M4 x 16	
4	0861781	1	Box, Switch	
5	1705325	1	Decal - 110V	
6	3290405	2	Nut M4	
7	3311405	2	Nut 1/4	
8	4460968	1	Connector, Strain Relief	
9	4461198	1	Receptacle	
10	4711400	4	Washer 1/4	
11	4811400	4	Washer M4	
12	1001193018	1	Bracket, AC Receptacle	

SECTION 8 - ELECTRICAL

FIGURE 8-7. AC BOX AT PLATFORM INSTALLATION - 220V (CSA SPEC)



ART_1001119871

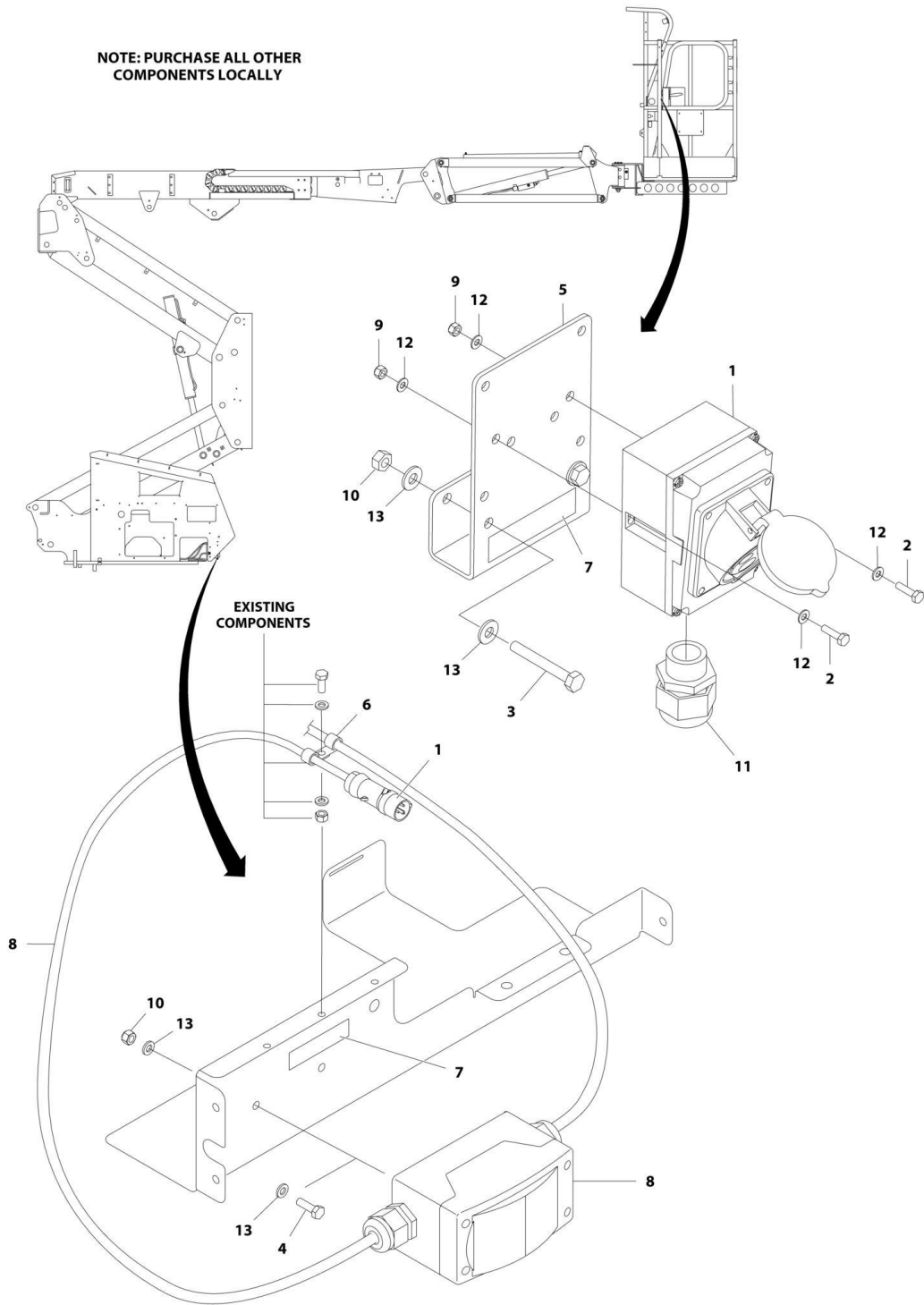
SECTION 8 - ELECTRICAL

FIGURE 8-7. AC BOX AT PLATFORM INSTALLATION - 220V (CSA SPEC)

ITEM	PART NUMBER	QTY	DESCRIPTION	REV
	1001119871	Ref	AC BOX AT PLATFORM INSTALLATION - 220V (CSA SPEC)	A
1	0860038	1	Box, Switch	
2	3252507	2	Decal - 220V-50/60Hz	
3	3960422	1	Gasket	
4	4060092	1	Shield, Weather	
5	4460071	1	Connector, Strain Relief	
6	4460125	1	Receptacle	
7	4460233	1	Plug, Male	
8	4460315	3	Terminal, Spade	

SECTION 8 - ELECTRICAL

FIGURE 8-8. AC BOX AT PLATFORM INSTALLATION - 220V IEC BLUE WITHOUT 4000W GENERATOR (CE SPEC)



ART_100119876

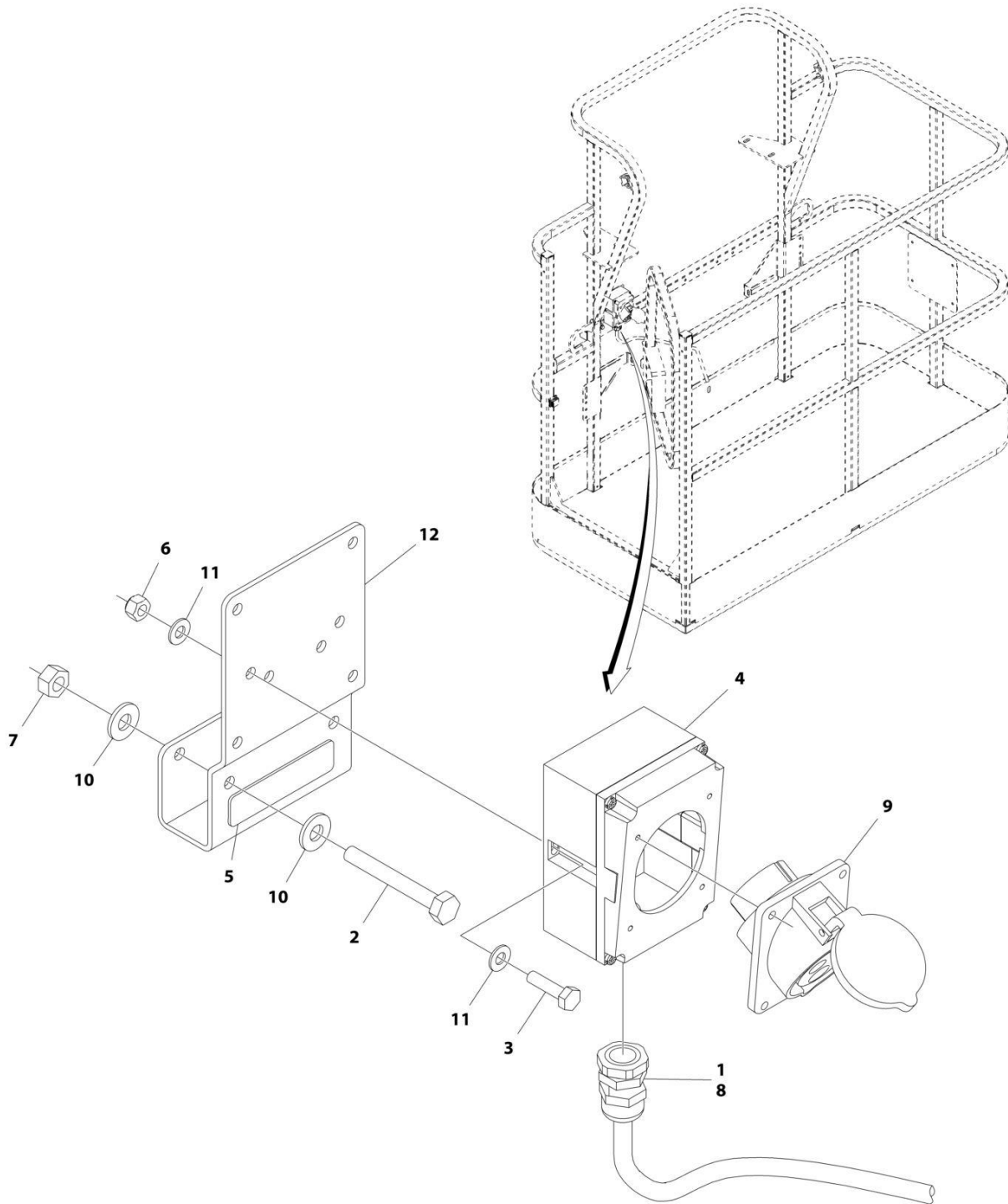
SECTION 8 - ELECTRICAL

FIGURE 8-8. AC BOX AT PLATFORM INSTALLATION - 220V IEC BLUE WITHOUT 4000W GENERATOR (CE SPEC)

ITEM	PART NUMBER	QTY	DESCRIPTION	REV
	1001119876	Ref	AC BOX AT PLATFORM INSTALLATION - 220V IEC BLUE WITHOUT 4000W GENERATOR (CE SPEC)	B
1	0275217	1	Receptacle Box Kit (See RECEPTACLE BOX KIT - 220V IEC BLUE (CE SPEC) for Breakdown)	
2	0700408	2	Bolt M4 x 16	
3	0700618	2	Bolt M6 x 50	
4	0760610	2	Bolt M6 x 20	
5	1001193018	1	Bracket	
6	1320043	1	Clamp	
7	3252507	2	Decal - 220V-50/60Hz	
8	2902549	1	Breaker Box Kit (See BREAKER BOX KIT (CE SPEC) for Breakdown)	
9	3290405	2	Nut M4	
10	3290605	4	Nut M6	
11	4460968	1	Connector, Strain Relief	
12	4811400	4	Washer M4	
13	4811700	8	Washer M6	

SECTION 8 - ELECTRICAL

FIGURE 8-9. AC BOX AT PLATFORM INSTALLATION - 220V IEC BLUE WITH 4000W GENERATOR (CE SPECS)



ART_1001194204

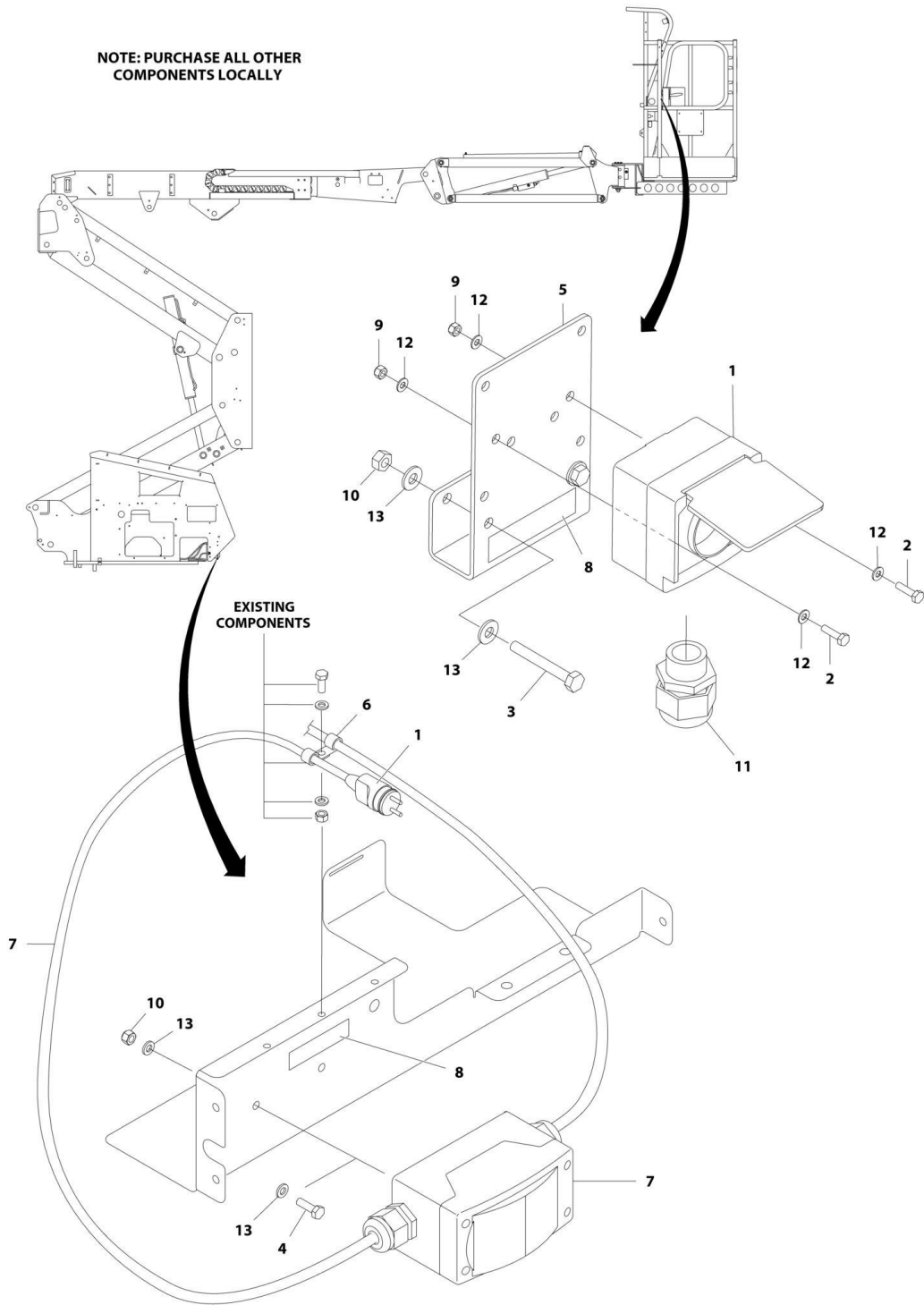
SECTION 8 - ELECTRICAL

**FIGURE 8-9. AC BOX AT PLATFORM INSTALLATION - 220V IEC BLUE WITH 4000W GENERATOR
(CE SPECS)**

ITEM	PART NUMBER	QTY	DESCRIPTION	REV
	1001194204	Ref	AC BOX AT PLATFORM INSTALLATION - 220V IEC BLUE WITH 4000W GENERATOR (CE SPECS)	B
1	0100020	AR	Sealant, Pipe	
2	0641416	2	Bolt 1/4 x 2	
3	0700408	2	Bolt M4 x 16	
4	0861781	1	Box, Switch	
5	3251242	1	Decal - 240V-50Hz	
6	3290405	2	Nut M4	
7	3311405	2	Nut 1/4	
8	4460968	1	Connector, Strain Relief	
9	4461201	1	Receptacle	
10	4711400	4	Washer 1/4	
11	4811400	4	Washer M4	
12	1001193018	1	Bracket, AC Receptacle	

SECTION 8 - ELECTRICAL

FIGURE 8-10. AC BOX AT PLATFORM INSTALLATION - 220V CEE7 POST GROUND 70 X 70 BOX (CE SPEC)



ART_1001115788

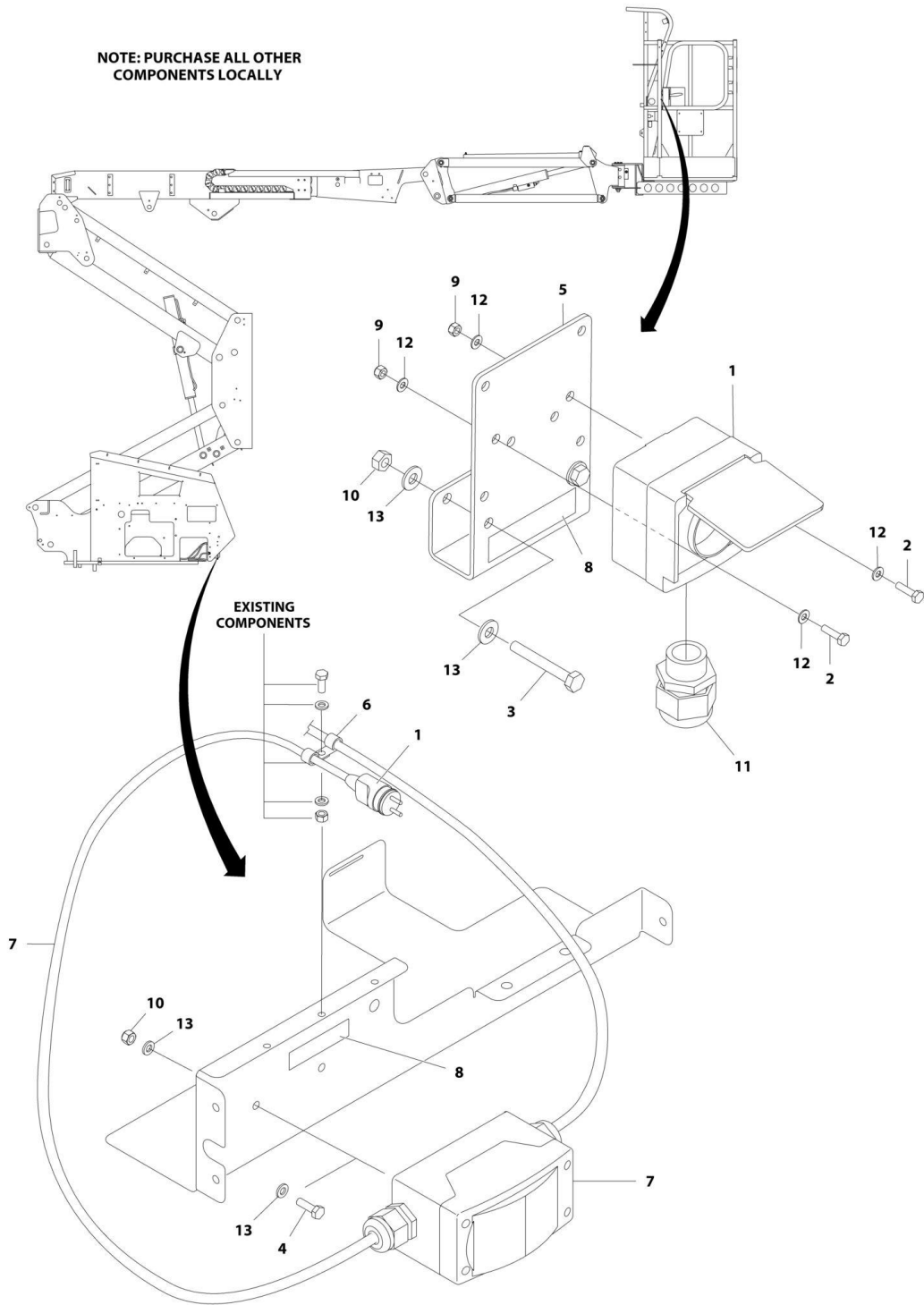
SECTION 8 - ELECTRICAL

FIGURE 8-10. AC BOX AT PLATFORM INSTALLATION - 220V CEE7 POST GROUND 70 X 70 BOX (CE SPEC)

ITEM	PART NUMBER	QTY	DESCRIPTION	REV
	1001115788	Ref	AC BOX AT PLATFORM INSTALLATION - 220V CEE7 POST GROUND 70 X 70 BOX (CE SPEC)	B
1	0275218	1	Receptacle Box Kit (See RECEPTACLE BOX KIT - 220V CEE7 POST GROUND 70 X 70 BOX (CE SPEC) for Breakdown)	
2	0700408	2	Bolt M4 x 16	
3	0700618	2	Bolt M6 x 50	
4	0760610	2	Bolt M6 x 20	
5	1001193018	1	Bracket	
6	1320043	1	Clamp	
7	2902549	1	Breaker Box Kit (See BREAKER BOX KIT (CE SPEC) for Breakdown)	
8	3252507	2	Decal - 220V-50/60Hz	
9	3290405	2	Nut M4	
10	3290605	4	Nut M6	
11	4460968	1	Connector, Strain Relief	
12	4811400	4	Washer M4	
13	4811700	8	Washer M6	

SECTION 8 - ELECTRICAL

FIGURE 8-11. AC BOX AT PLATFORM INSTALLATION - 220V CEE7 SIDE GROUND 70 X 70 BOX (CE SPEC)



ART_100119877

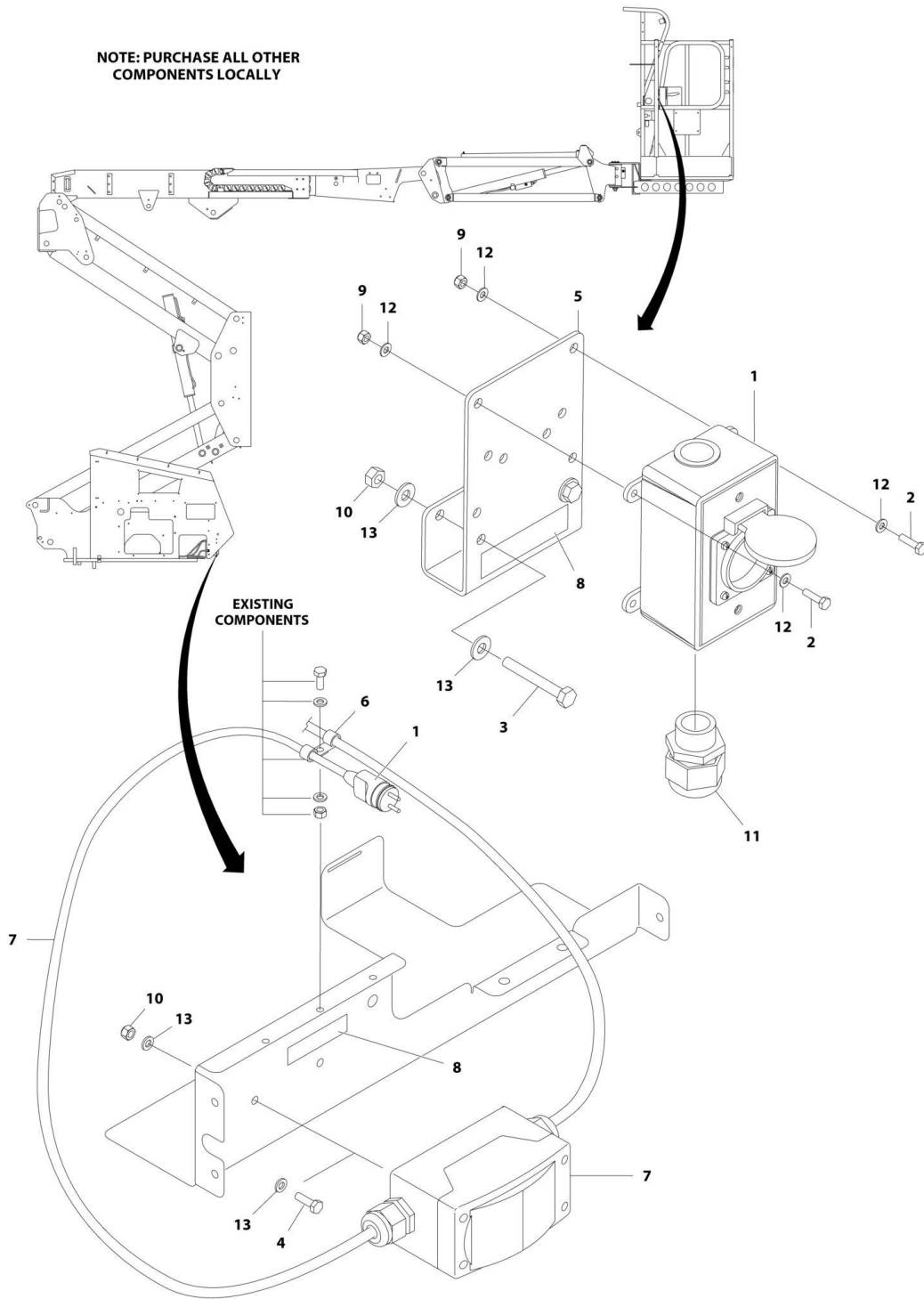
SECTION 8 - ELECTRICAL

FIGURE 8-11. AC BOX AT PLATFORM INSTALLATION - 220V CEE7 SIDE GROUND 70 X 70 BOX (CE SPEC)

ITEM	PART NUMBER	QTY	DESCRIPTION	REV
	1001119877	Ref	AC BOX AT PLATFORM INSTALLATION - 220V CEE7 SIDE GROUND 70 X 70 BOX (CE SPEC)	B
1	0275219	1	Receptacle Box Kit (See RECEPTACLE BOX KIT - 220V CEE7 SIDE GROUND 70 X 70 BOX (CE SPEC) for Breakdown)	
2	0700408	2	Bolt M4 x 16	
3	0700618	2	Bolt M6 x 50	
4	0760610	2	Bolt M6 x 20	
5	1001193018	1	Bracket	
6	1320043	1	Clamp	
7	2902549	1	Breaker Box Kit (See BREAKER BOX KIT (CE SPEC) for Breakdown)	
8	3252507	2	Decal - 220V-50/60Hz	
9	3290405	2	Nut M4	
10	3290605	4	Nut M6	
11	4460968	1	Connector, Strain Relief	
12	4811400	4	Washer M4	
13	4811700	8	Washer M6	

SECTION 8 - ELECTRICAL

FIGURE 8-12. AC BOX AT PLATFORM INSTALLATION - 220V CEE7 POST GROUND 2 X 4 BOX WITHOUT 4000W GENERATOR (CE SPEC)



ART_100119872

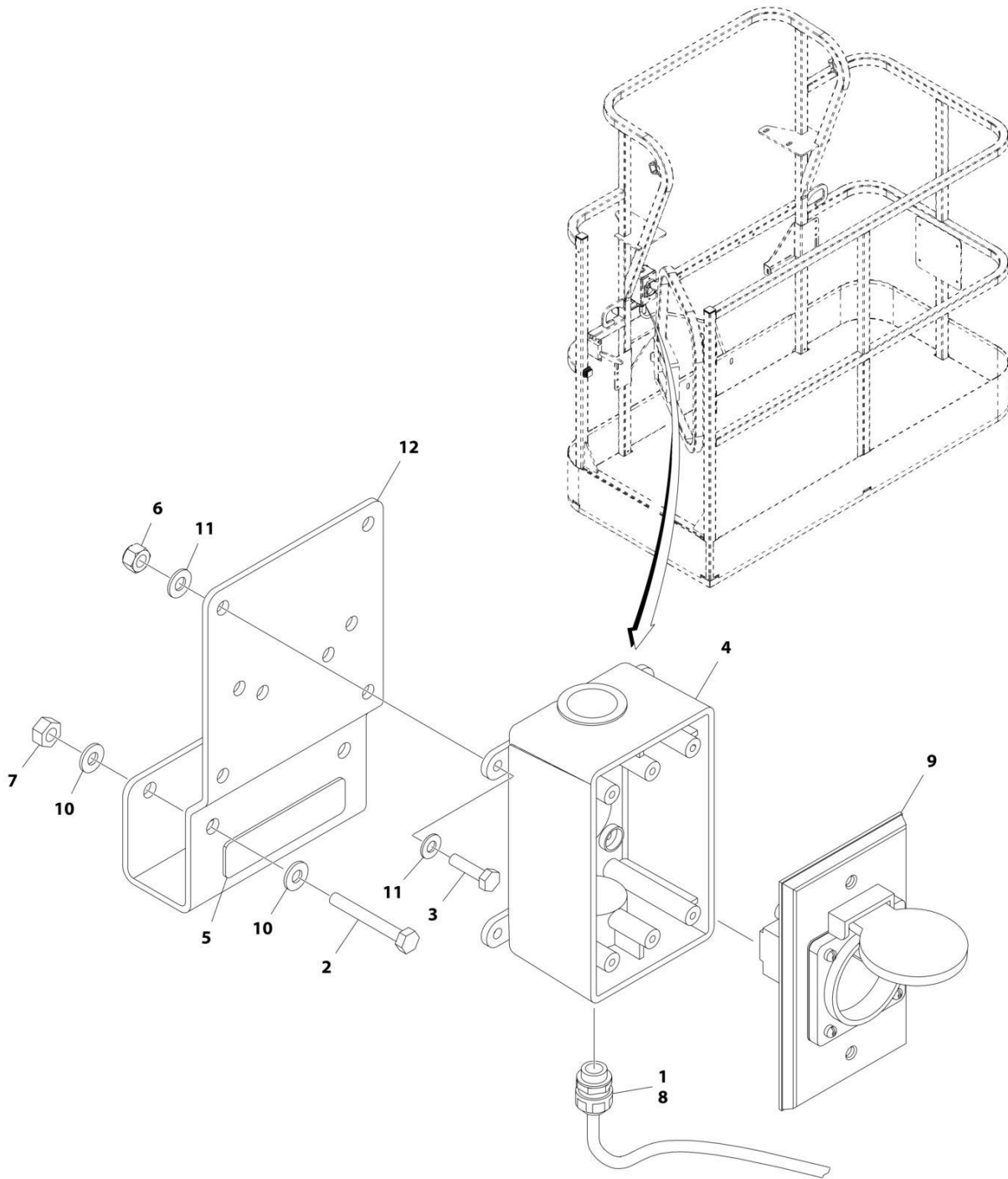
SECTION 8 - ELECTRICAL

FIGURE 8-12. AC BOX AT PLATFORM INSTALLATION - 220V CEE7 POST GROUND 2 X 4 BOX WITHOUT 4000W GENERATOR (CE SPEC)

ITEM	PART NUMBER	QTY	DESCRIPTION	REV
	1001119872	Ref	AC BOX AT PLATFORM INSTALLATION - 220V CEE7 POST GROUND 2 X 4 BOX WITHOUT 4000W GENERATOR (CE SPEC)	C
1	0275452	1	Receptacle Box Kit (See RECEPTACLE BOX KIT - 220V CEE7 POST GROUND 2 X 4 BOX (CE SPEC) for Breakdown)	
2	0700408	4	Bolt M4 x 16	
3	0700618	2	Bolt M6 x 50	
4	0760610	2	Bolt M6 x 20	
5	1001193018	1	Bracket	
6	1320043	1	Clamp	
7	2902549	1	Breaker Box Kit (See BREAKER BOX KIT (CE SPEC) for Breakdown)	
8	3252507	2	Decal - 220V-50/60Hz	
9	3290405	4	Nut M4	
10	3290605	4	Nut M6	
11	4460968	1	Connector, Strain Relief (SN 0300200802 through 0200222942)	
11	4460662	1	Connector, Strain Relief (SN 0300222943 to Present)	
12	4811400	8	Washer M4	
13	4811700	8	Washer M6	

SECTION 8 - ELECTRICAL

FIGURE 8-13. AC BOX AT PLATFORM INSTALLATION - 220V CEE7 POST GROUND 2 X 4 BOX WITH 4000W GENERATOR (CE SPECS)



ART_1001194197

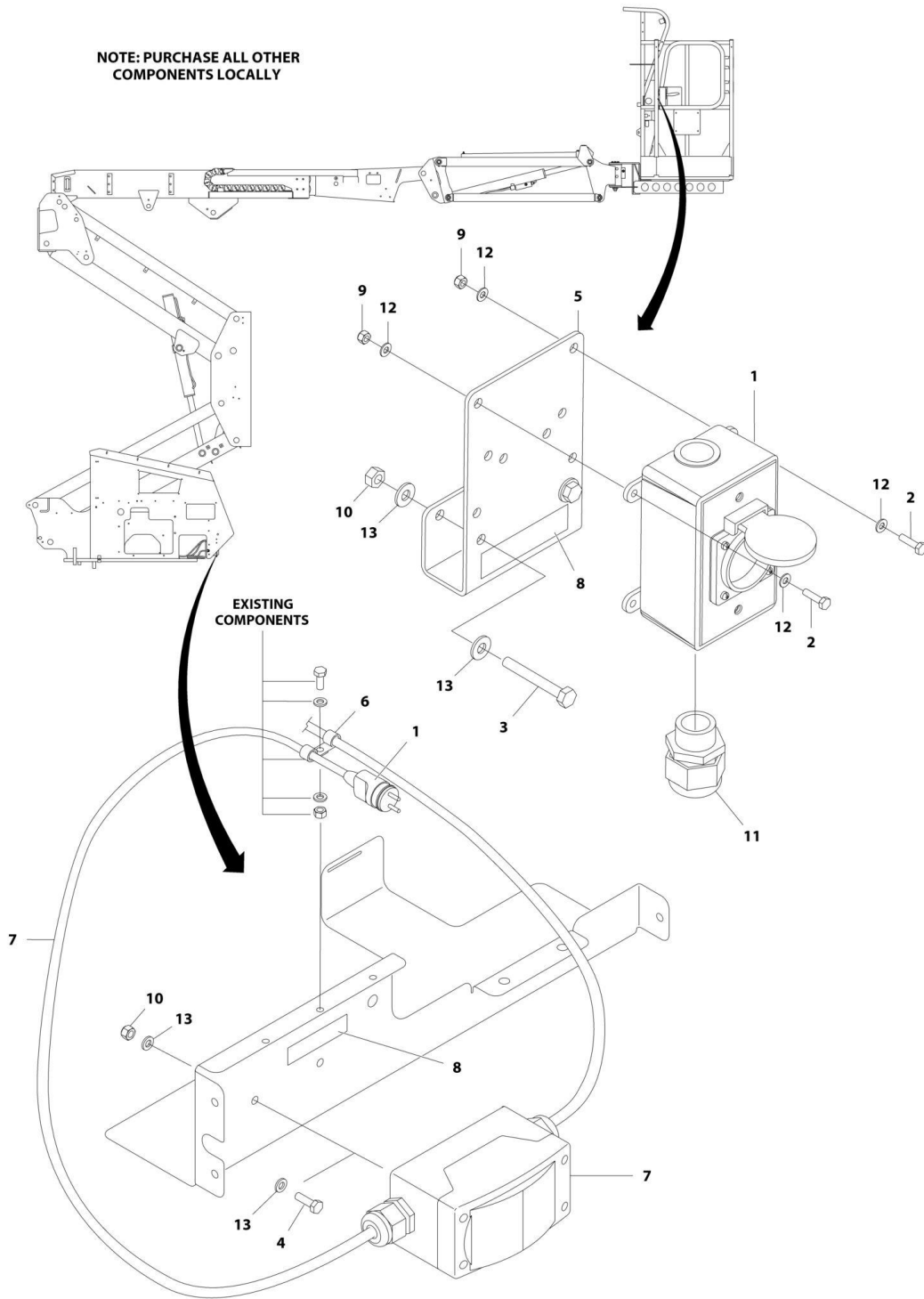
SECTION 8 - ELECTRICAL

FIGURE 8-13. AC BOX AT PLATFORM INSTALLATION - 220V CEE7 POST GROUND 2 X 4 BOX WITH 4000W GENERATOR (CE SPECS)

ITEM	PART NUMBER	QTY	DESCRIPTION	REV
	1001194197	Ref	AC BOX AT PLATFORM INSTALLATION - 220V CEE7 POST GROUND 2 X 4 BOX WITH 4000W GENERATOR (CE SPECS)	B
1	0100020	AR	Sealant, Pipe	
2	0641416	2	Bolt 1/4 x 2	
3	0700408	4	Bolt M4 x 16	
4	0861731	1	Box, Switch	
5	3251242	1	Decal - 240V-50Hz	
6	3290405	4	Nut M4	
7	3311405	2	Nut 1/4	
8	4460662	1	Connector, Strain Relief	
9	4461244	1	Receptacle	
10	4711400	4	Washer 1/4	
11	4811400	8	Washer M4	
12	1001193018	1	Bracket, AC Receptacle	
13	4460806	2	Terminal, Fork (Not Shown)	
14	1001205958	1	Terminal (Not Shown)	

SECTION 8 - ELECTRICAL

FIGURE 8-14. AC BOX AT PLATFORM INSTALLATION - 220V CEE7 SIDE GROUND 2 X 4 BOX WITHOUT 4000W GENERATOR (CE SPEC)



ART_100119873

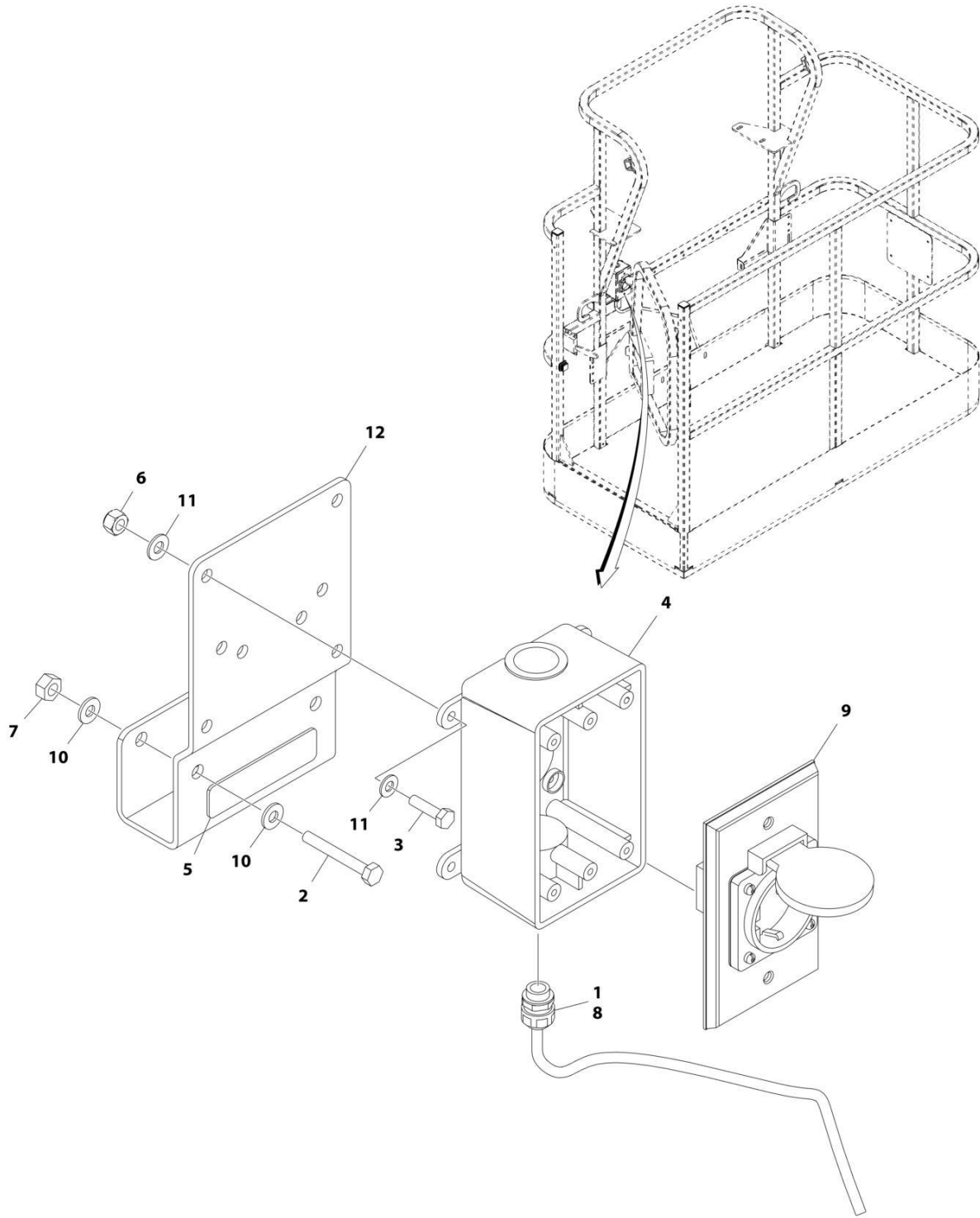
SECTION 8 - ELECTRICAL

FIGURE 8-14. AC BOX AT PLATFORM INSTALLATION - 220V CEE7 SIDE GROUND 2 X 4 BOX WITHOUT 4000W GENERATOR (CE SPEC)

ITEM	PART NUMBER	QTY	DESCRIPTION	REV
	1001119873	Ref	AC BOX AT PLATFORM INSTALLATION - 220V CEE7 SIDE GROUND 2 X 4 BOX WITHOUT 4000W GENERATOR (CE SPEC)	B
1	0275453	1	Receptacle Box Kit (See RECEPTACLE BOX KIT - 220V CEE7 SIDE GROUND 2 X 4 BOX (CE SPEC) for Breakdown)	
2	0700408	4	Bolt M4 x 16	
3	0700618	2	Bolt M6 x 50	
4	0760610	2	Bolt M6 x 20	
5	1001193018	1	Bracket	
6	1320043	1	Clamp	
7	2902549	1	Breaker Box Kit (See BREAKER BOX KIT (CE SPEC) for Breakdown)	
8	3252507	2	Decal - 220V-50/60Hz	
9	3290405	4	Nut M4	
10	3290605	4	Nut M6	
11	4460968	1	Connector, Strain Relief	
12	4811400	8	Washer M4	
13	4811700	8	Washer M6	

SECTION 8 - ELECTRICAL

FIGURE 8-15. AC BOX AT PLATFORM INSTALLATION - 220V CEE7 SIDE GROUND 2 X 4 BOX WITH 4000W GENERATOR (CE SPECS)



ART_1001194198

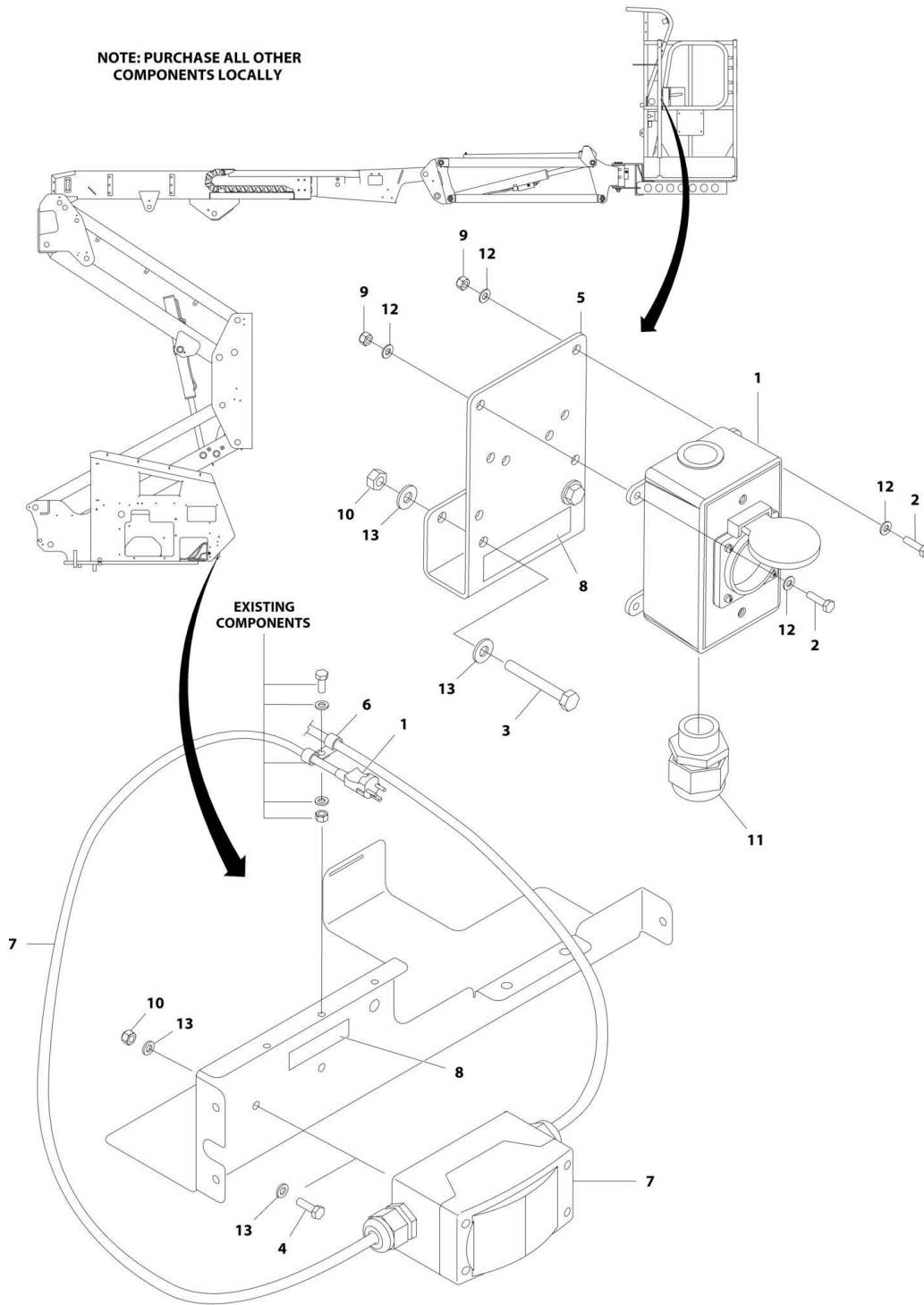
SECTION 8 - ELECTRICAL

FIGURE 8-15. AC BOX AT PLATFORM INSTALLATION - 220V CEE7 SIDE GROUND 2 X 4 BOX WITH 4000W GENERATOR (CE SPECS)

ITEM	PART NUMBER	QTY	DESCRIPTION	REV
	1001194198	Ref	AC BOX AT PLATFORM INSTALLATION - 220V CEE7 SIDE GROUND 2 X 4 BOX WITH 4000W GENERATOR (CE SPECS)	B
1	0100020	AR	Sealant, Pipe	
2	0641416	2	Bolt 1/4 x 2	
3	0700408	4	Bolt M4 x 16	
4	0861731	1	Box, Switch	
5	3251242	1	Decal - 240V-50Hz	
6	3290405	4	Nut M4	
7	3311405	2	Nut 1/4	
8	4460662	1	Connector, Strain Relief	
9	4461245	1	Receptacle	
10	4711400	4	Washer 1/4	
11	4811400	8	Washer M4	
12	1001193018	1	Bracket, AC Receptacle	
13	4460806	2	Terminal, Fork (Not Shown)	
14	1001205958	1	Terminal (Not Shown)	

SECTION 8 - ELECTRICAL

FIGURE 8-16. AC BOX AT PLATFORM INSTALLATION - 220V AFSINT 107 KEYED GROUND WITHOUT 4000W GENERATOR (CE SPEC)



ART_100119874

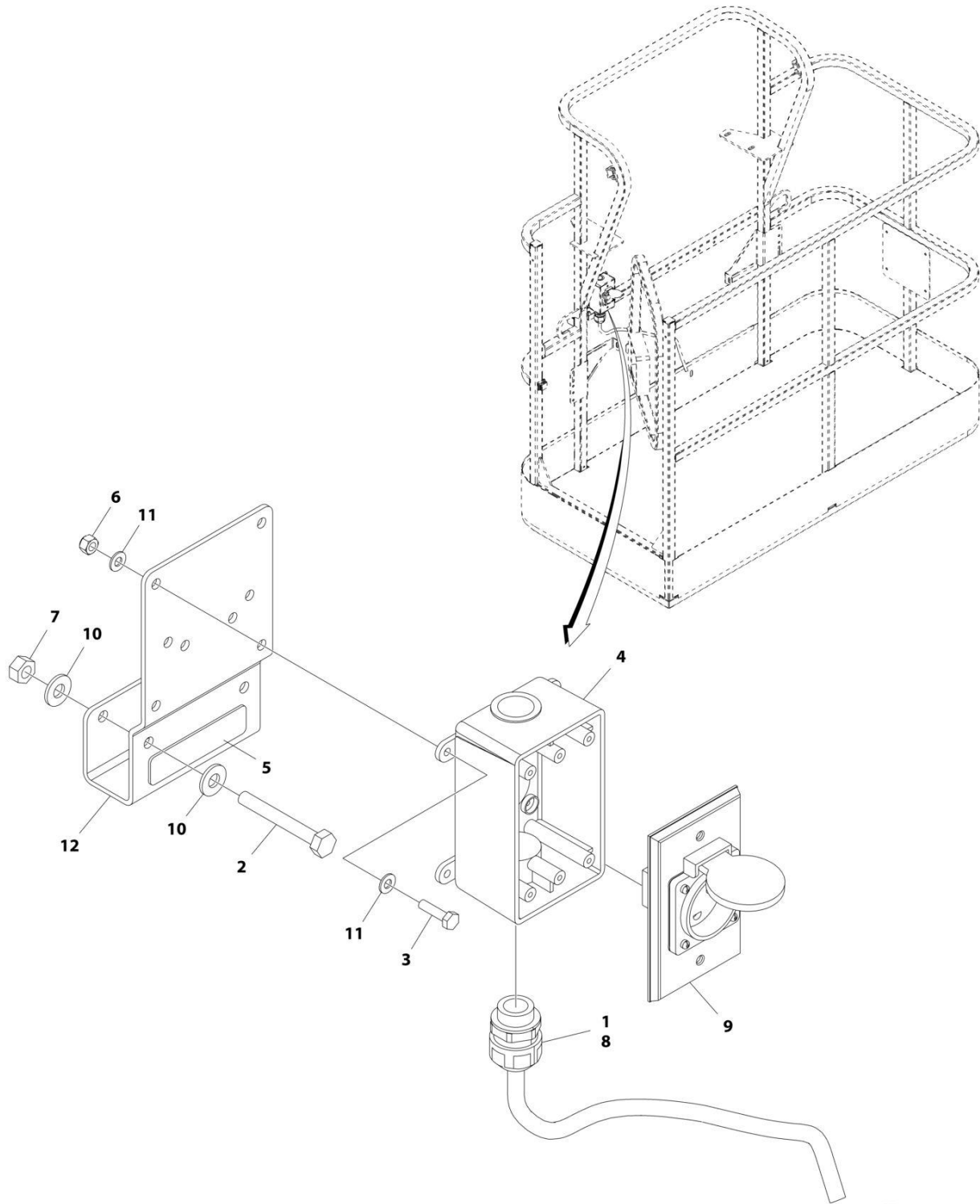
SECTION 8 - ELECTRICAL

FIGURE 8-16. AC BOX AT PLATFORM INSTALLATION - 220V AFSINT 107 KEYED GROUND WITHOUT 4000W GENERATOR (CE SPEC)

ITEM	PART NUMBER	QTY	DESCRIPTION	REV
	1001119874	Ref	AC BOX AT PLATFORM INSTALLATION - 220V AFSINT 107 KEYED GROUND WITHOUT 4000W GENERATOR (CE SPEC)	C
1	0275454	1	Receptacle Box Kit (See RECEPTACLE BOX KIT - 220V AFSINT 107 (CE SPEC) for Breakdown)	
2	0700408	4	Bolt M4 x 16	
3	0700618	2	Bolt M6 x 50	
4	0760610	2	Bolt M6 x 20	
5	1001193018	1	Bracket	
6	1320043	1	Clamp	
7	2902549	1	Breaker Box Kit (See BREAKER BOX KIT (CE SPEC) for Breakdown)	
8	3252507	2	Decal - 220V-50/60Hz	
9	3290405	4	Nut M4	
10	3290605	4	Nut M6	
11	4460968	1	Connector, Strain Relief (SN 0300200802 through 0200222942)	
11	4460662	1	Connector, Strain Relief (SN 0300222943 to Present)	
12	4811400	8	Washer M4	
13	4811700	8	Washer M6	

SECTION 8 - ELECTRICAL

FIGURE 8-17. AC BOX AT PLATFORM INSTALLATION - 220V AFSINT 107 KEYED GROUND WITH 4000W GENERATOR (CE SPECS)



ART_1001194200

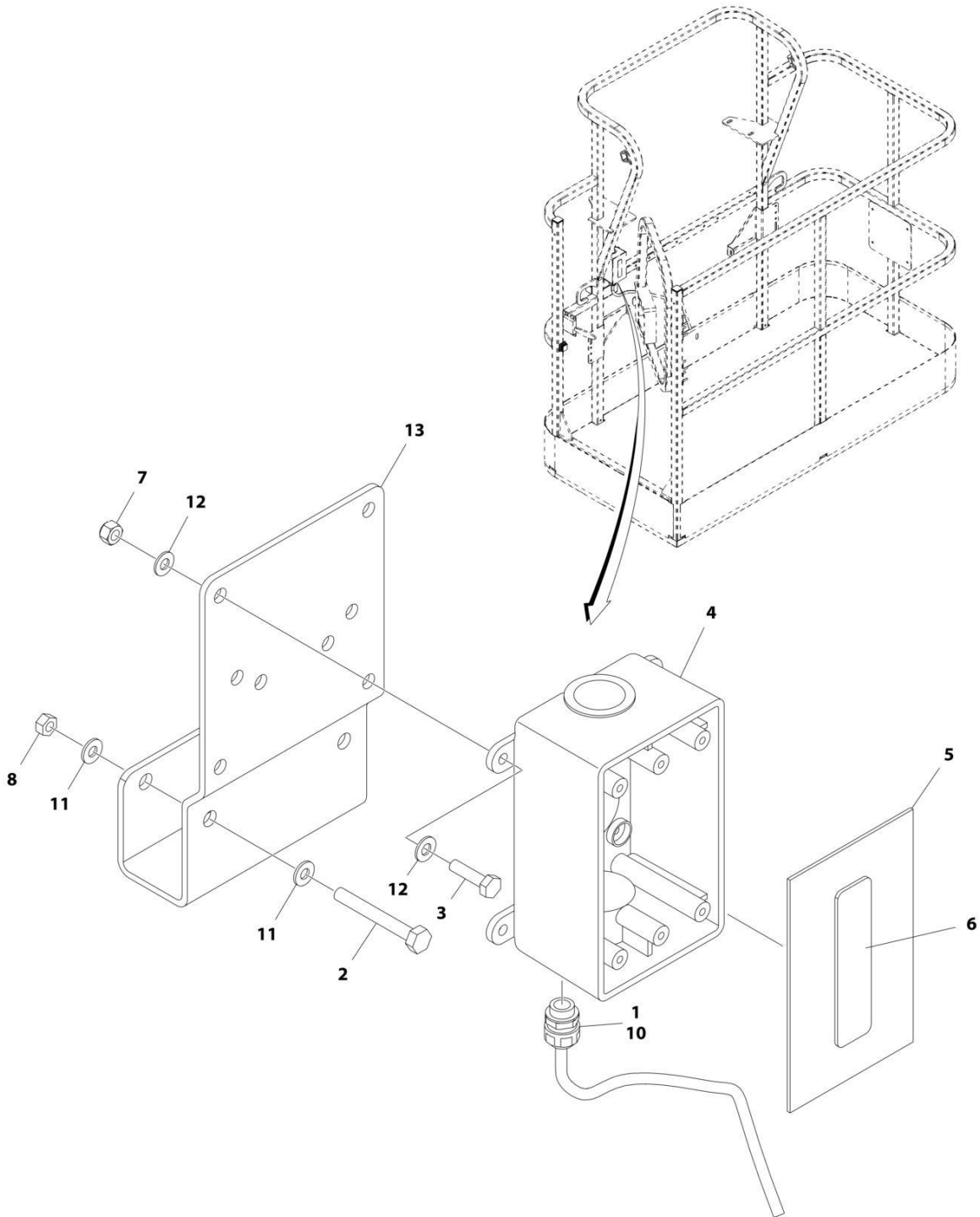
SECTION 8 - ELECTRICAL

FIGURE 8-17. AC BOX AT PLATFORM INSTALLATION - 220V AFSINT 107 KEYED GROUND WITH 4000W GENERATOR (CE SPECS)

ITEM	PART NUMBER	QTY	DESCRIPTION	REV
	1001194200	Ref	AC BOX AT PLATFORM INSTALLATION - 220V AFSINT 107 KEYED GROUND WITH 4000W GENERATOR (CE SPECS)	B
1	0100020	AR	Sealant, Pipe	
2	0641416	2	Bolt 1/4 x 2	
3	0700408	4	Bolt M4 x 16	
4	0861731	1	Box, Switch	
5	3251242	1	Decal - 240V-50Hz	
6	3290405	4	Nut M4	
7	3311405	2	Nut 1/4	
8	4460662	1	Connector, Strain Relief	
9	4461246	1	Receptacle	
10	4711400	4	Washer 1/4	
11	4811400	8	Washer M4	
12	1001193018	1	Bracket, AC Receptacle	
13	1001205958	3	Terminal (Not Shown)	

SECTION 8 - ELECTRICAL

FIGURE 8-18. AC BOX AT PLATFORM INSTALLATION - BOX WITH COVER WITH 4000W GENERATOR (ANSI EXPORT, AUSTRALIAN, CHINA AND JAPANESE SPECS)



ART_1001194365

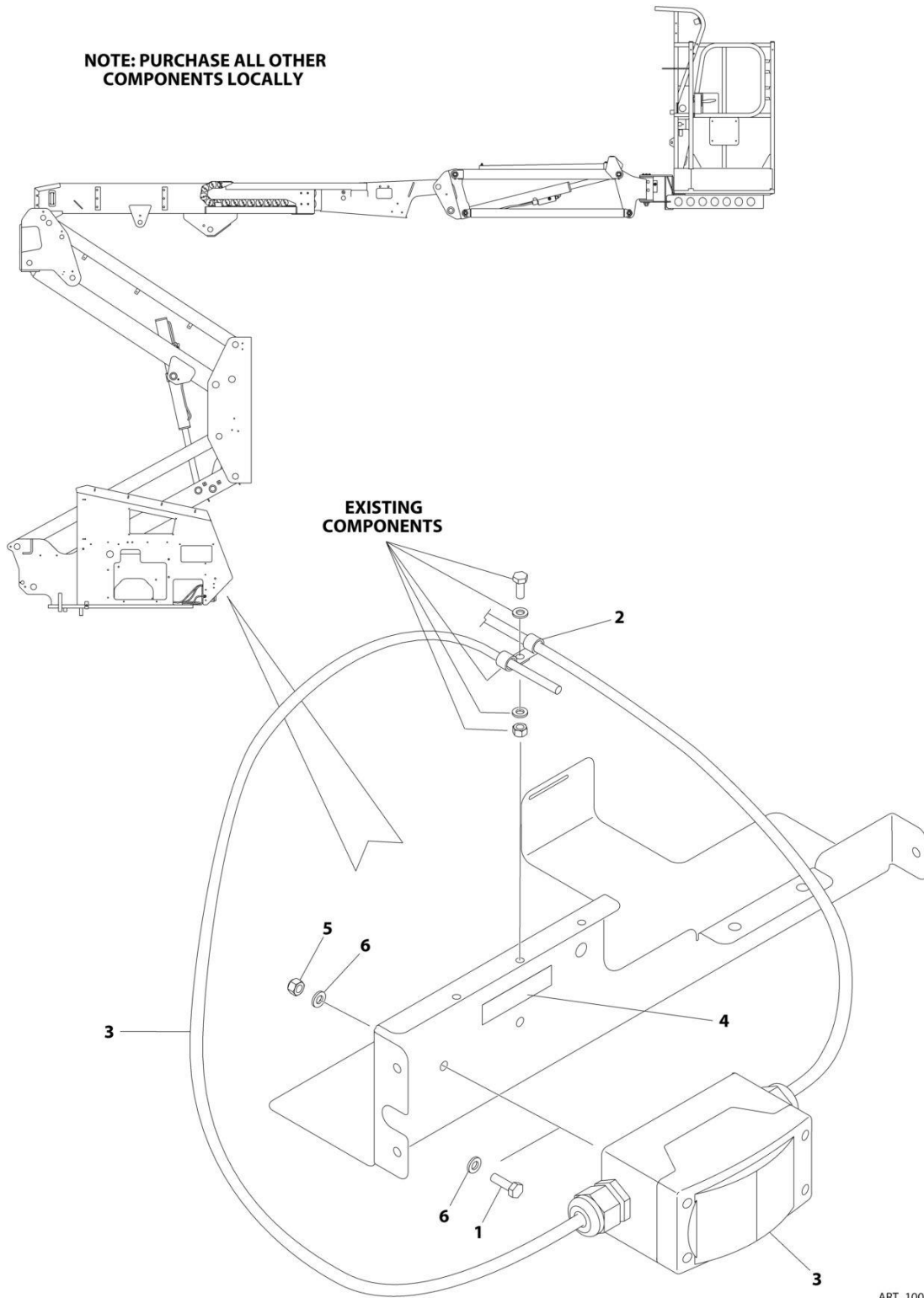
SECTION 8 - ELECTRICAL

FIGURE 8-18. AC BOX AT PLATFORM INSTALLATION - BOX WITH COVER WITH 4000W GENERATOR (ANSI EXPORT, AUSTRALIAN, CHINA AND JAPANESE SPECS)

ITEM	PART NUMBER	QTY	DESCRIPTION	REV
	1001194365	Ref	AC BOX AT PLATFORM INSTALLATION - BOX WITH COVER WITH 4000W GENERATOR (ANSI EXPORT, AUSTRALIAN, CHINA AND JAPANESE SPECS)	A
1	0100020	AR	Sealant, Pipe	
2	0641416	2	Bolt 1/4 x 2	
3	0700408	4	Bolt M4 x 16	
4	0861731	1	Box, Switch	
5	1670603	1	Cover	
6	3251242	1	Decal - 240V-50Hz	
7	3290405	4	Nut M4	
8	3311405	2	Nut 1/4	
9	4460384	3	Terminal (Not Shown)	
10	4460662	1	Connector, Strain Relief	
11	4711400	4	Washer 1/4	
12	4811400	8	Washer M4	
13	1001193018	1	Bracket, AC Receptacle	

SECTION 8 - ELECTRICAL

FIGURE 8-19. AC CIRCUIT BREAKER INSTALLATION



ART_1001188322

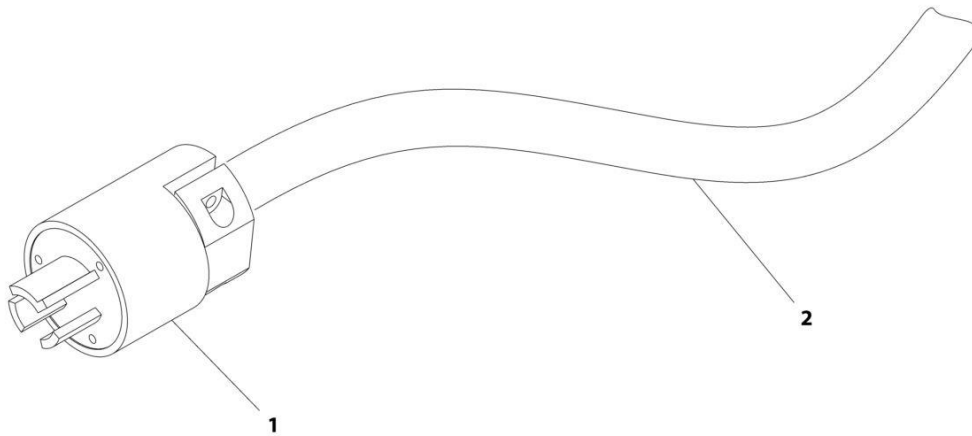
SECTION 8 - ELECTRICAL

FIGURE 8-19. AC CIRCUIT BREAKER INSTALLATION

ITEM	PART NUMBER	QTY	DESCRIPTION	REV
	1001188322	Ref	AC CIRCUIT BREAKER INSTALLATION	A
1	0760610	2	Bolt M6 x 20	
2	1320043	1	Clamp	
3	2902549	1	Breaker Box Kit (See BREAKER BOX KIT (CE SPEC) for Breakdown)	
4	3252507	1	Decal - 220V-50/60Hz	
5	3290605	2	Nut M6	
6	4811700	4	Washer M6	

SECTION 8 - ELECTRICAL

FIGURE 8-20. AC POWER TO PLATFORM CABLE - MAIN BOOM (WITHOUT ARCTIC PACKAGE)
(50HZ)



ART_1001119140

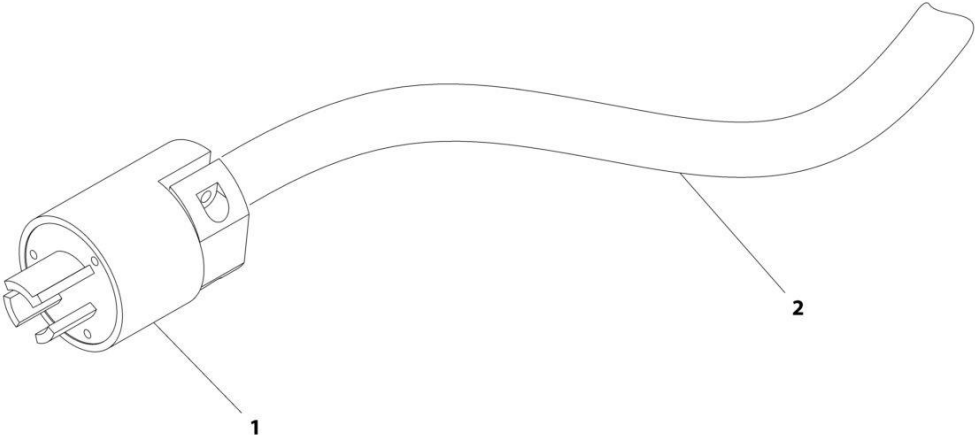
SECTION 8 - ELECTRICAL

**FIGURE 8-20. AC POWER TO PLATFORM CABLE - MAIN BOOM (WITHOUT ARCTIC PACKAGE)
(50HZ)**

ITEM	PART NUMBER	QTY	DESCRIPTION	REV
	1001119140	Ref	AC POWER TO PLATFORM CABLE - MAIN BOOM (WITHOUT ARCTIC PACKAGE) (50Hz)	C
1	1001120204	1	Plug, Male	
2	4923505	1	Cable, 14/3	

SECTION 8 - ELECTRICAL

FIGURE 8-21. AC POWER TO PLATFORM CABLE - MAIN BOOM (WITH ARCTIC PACKAGE) (50HZ)



ART_1001119955

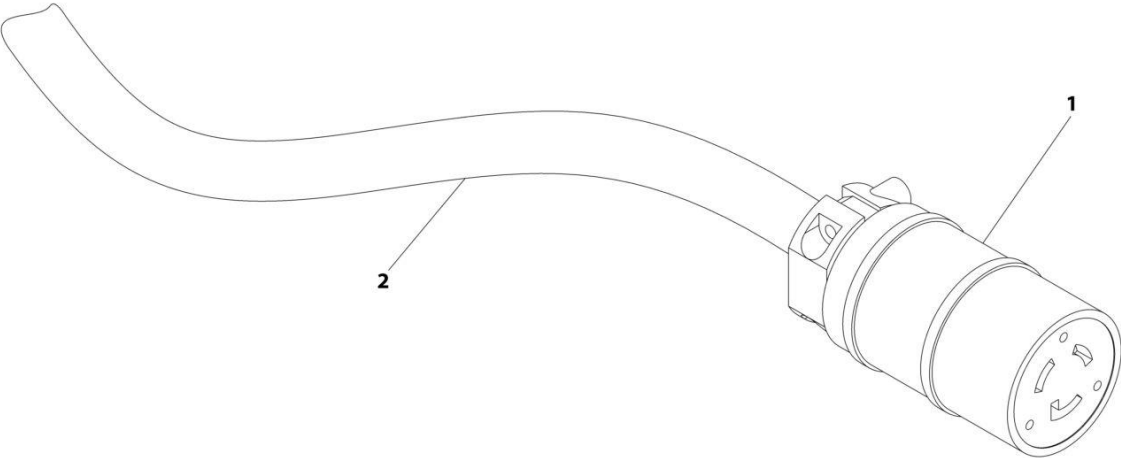
SECTION 8 - ELECTRICAL

FIGURE 8-21. AC POWER TO PLATFORM CABLE - MAIN BOOM (WITH ARCTIC PACKAGE) (50HZ)

ITEM	PART NUMBER	QTY	DESCRIPTION	REV
	1001119955	Ref	AC POWER TO PLATFORM CABLE - MAIN BOOM (WITH ARCTIC PACKAGE) (50Hz)	B
1	1001120204	1	Plug, Male	
2	4923463	1	Cable, 12/3	

SECTION 8 - ELECTRICAL

**FIGURE 8-22. AC POWER TO PLATFORM CABLE - TOWER BOOM (WITHOUT ARCTIC PACKAGE)
(50HZ)**



ART_1001119139

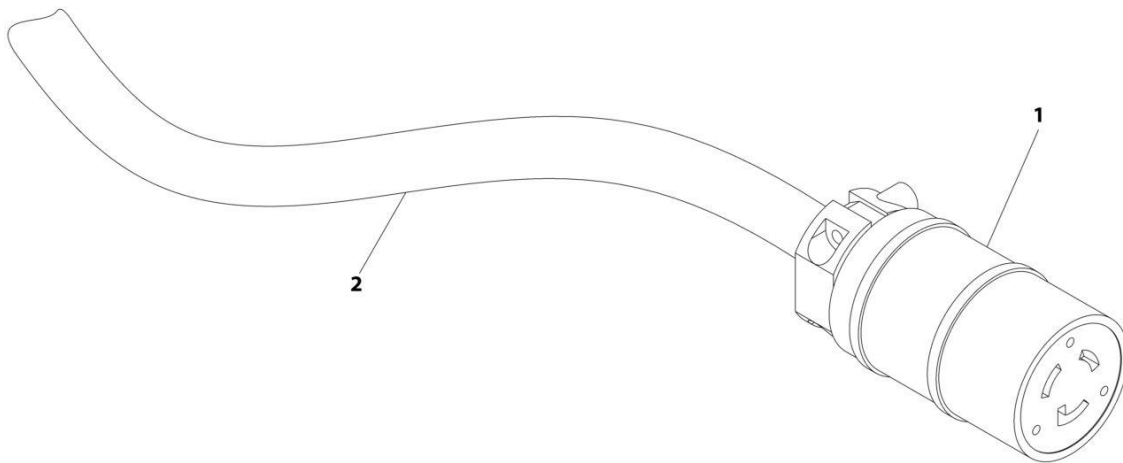
SECTION 8 - ELECTRICAL

**FIGURE 8-22. AC POWER TO PLATFORM CABLE - TOWER BOOM (WITHOUT ARCTIC PACKAGE)
(50HZ)**

ITEM	PART NUMBER	QTY	DESCRIPTION	REV
	1001119139	Ref	AC POWER TO PLATFORM CABLE - TOWER BOOM (WITHOUT ARCTIC PACKAGE) (50Hz)	B
1	1001120205	1	Connector, Female	
2	4923505	1	Cable, 14/3	

SECTION 8 - ELECTRICAL

FIGURE 8-23. AC POWER TO PLATFORM CABLE - TOWER BOOM (WITH ARCTIC PACKAGE) (50HZ)



ART_1001119956

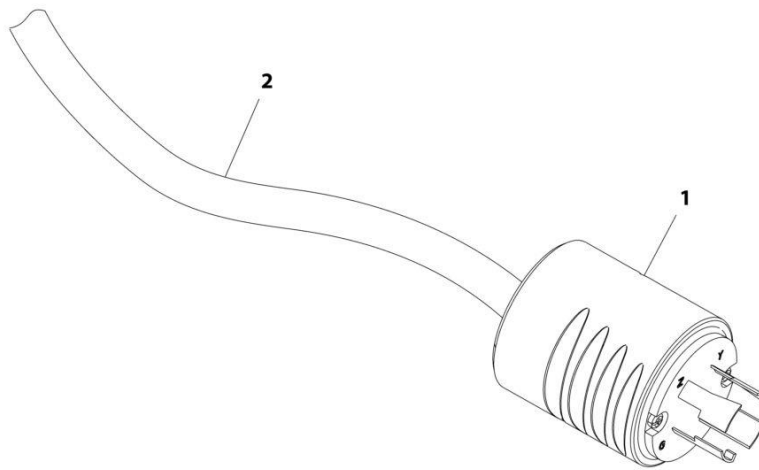
SECTION 8 - ELECTRICAL

FIGURE 8-23. AC POWER TO PLATFORM CABLE - TOWER BOOM (WITH ARCTIC PACKAGE) (50HZ)

ITEM	PART NUMBER	QTY	DESCRIPTION	REV
	1001119956	Ref	AC POWER TO PLATFORM CABLE - TOWER BOOM (WITH ARCTIC PACKAGE) (50Hz)	A
1	1001120205	1	Connector, Female	
2	4923463	1	Cable, 12/3	

SECTION 8 - ELECTRICAL

FIGURE 8-24. AC POWER TO PLATFORM CABLE - MAIN BOOM (60HZ)



ART_1001157311

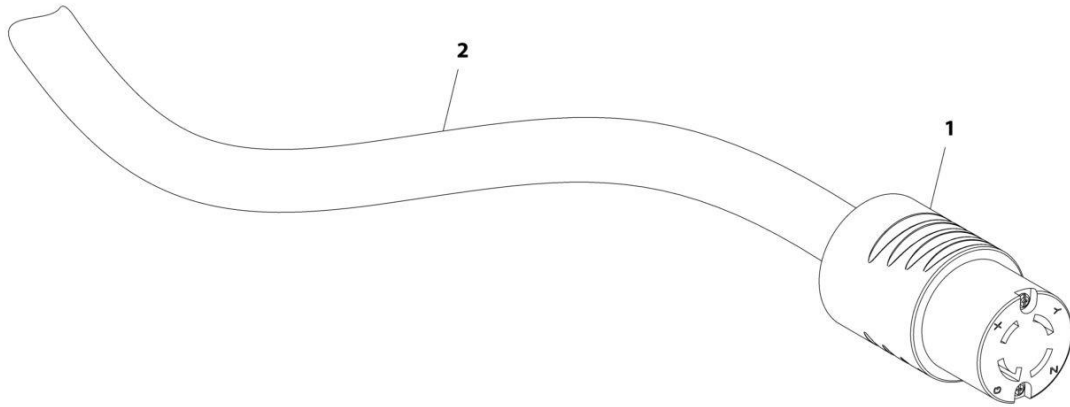
SECTION 8 - ELECTRICAL

FIGURE 8-24. AC POWER TO PLATFORM CABLE - MAIN BOOM (60HZ)

ITEM	PART NUMBER	QTY	DESCRIPTION	REV
1	1001157311 4460962	Ref 1	AC POWER TO PLATFORM CABLE - MAIN BOOM (60Hz) Terminal	A
2	1001131968	22.2 ft /6.8m	Cable, 10/4	

SECTION 8 - ELECTRICAL

FIGURE 8-25. AC POWER TO PLATFORM CABLE - TOWER BOOM (60HZ)



ART_1001157310

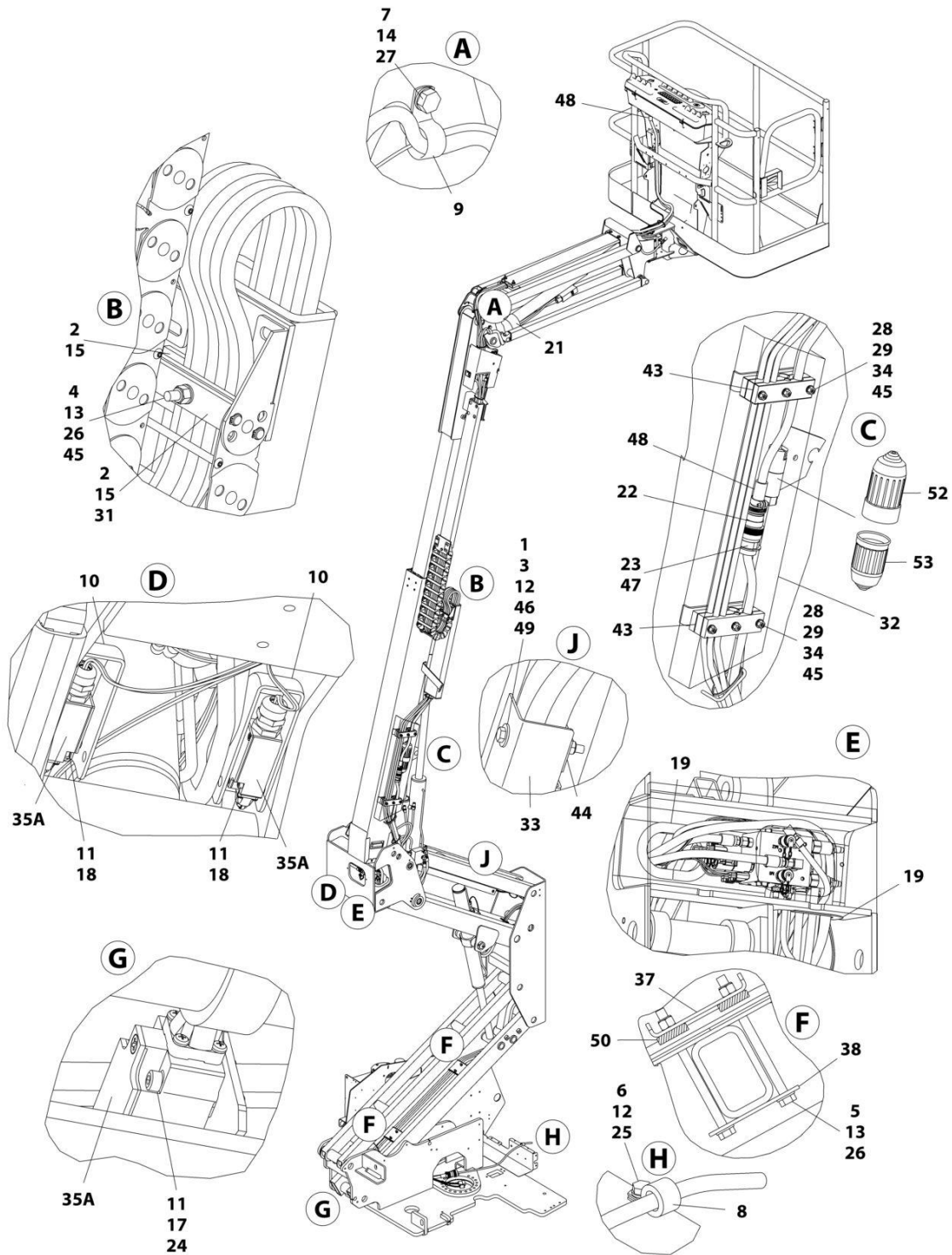
SECTION 8 - ELECTRICAL

FIGURE 8-25. AC POWER TO PLATFORM CABLE - TOWER BOOM (60HZ)

ITEM	PART NUMBER	QTY	DESCRIPTION	REV
1	1001157310	Ref	AC POWER TO PLATFORM CABLE - TOWER BOOM (60Hz)	A
2	4460963	1	Terminal	
	1001131968	29.1 ft /8.9m	Cable, 10/4	

SECTION 8 - ELECTRICAL

FIGURE 8-26. BOOM CABLES, HARNESSES AND CLAMPS INSTALLATION - WITHOUT ARCTIC PACKAGE



ART_1001115784

SECTION 8 - ELECTRICAL

FIGURE 8-26. BOOM CABLES, HARNESSSES AND CLAMPS INSTALLATION - WITHOUT ARCTIC PACKAGE

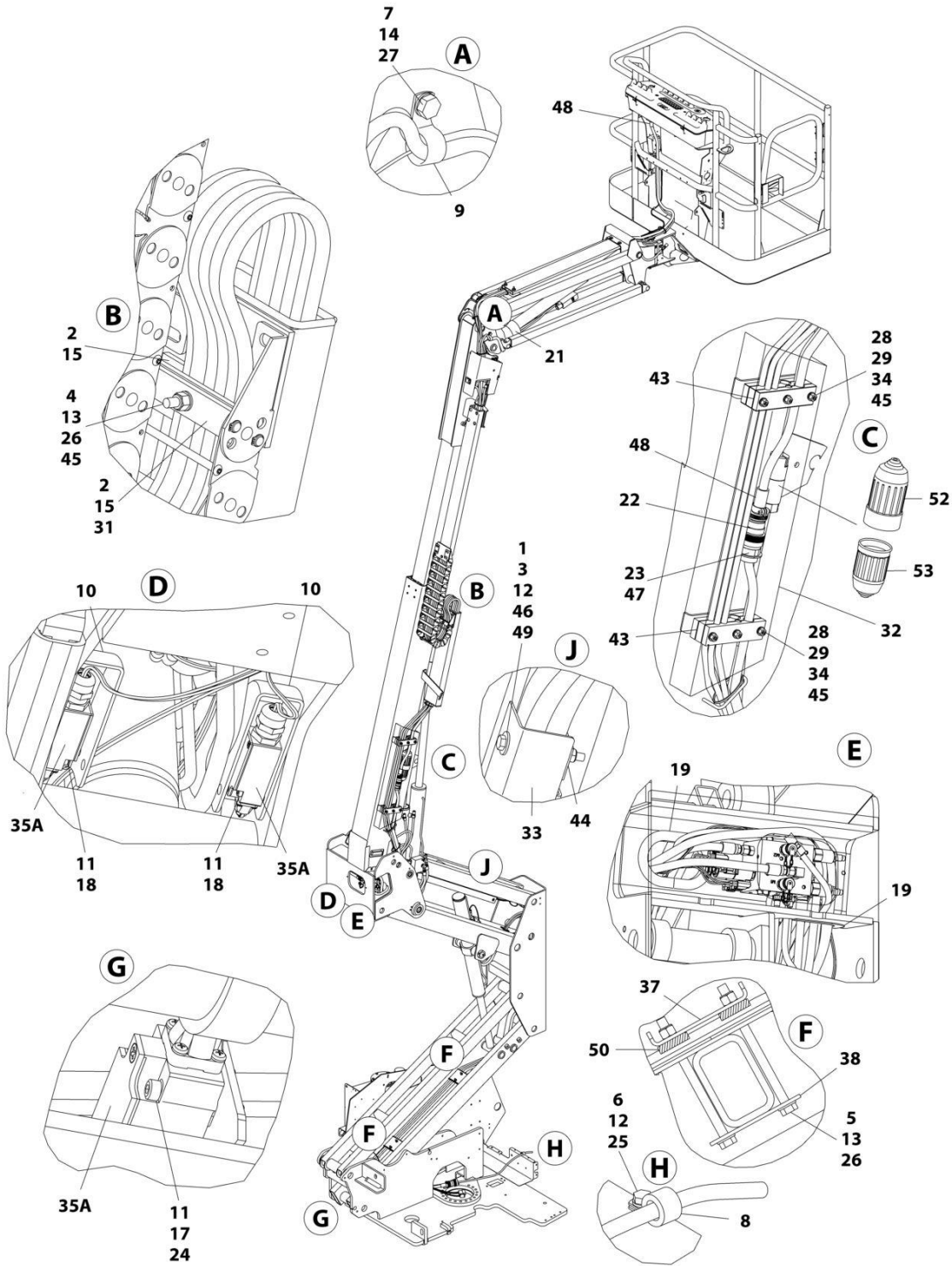
ITEM	PART NUMBER	QTY	DESCRIPTION	REV
	1001115784	Ref	BOOM CABLES, HARNESSSES AND CLAMPS INSTALLATION - WITHOUT ARCTIC PACKAGE	G
1	0100011	AR	Compound, Locking	
2	0100081	1	Adhesive	
3	0760621	4	Bolt M6 x 65	
4	0700820	2	Bolt M8 x 60	
5	0700829	4	Bolt M8 x 120	
6	0760608	1	Bolt M6 x 16 (Not Shown - Use with Item 8)	
7	0761012	1	Bolt M10 x 25	
8	1320043	1	Clamp (Not Shown - Located at Rear of T/T)	
9	1320130	1	Clamp	
10	1670899	2	Cover, Switch	
11	3290405	6	Nut M4	
12	3290605	5	Nut M6	
13	3290805	6	Nut M8	
14	3291005	1	Nut M10	
15	3340939	4	Pad, Rubber	
17	4031510	2	Capscrew M4 x 30	
18	4031512	4	Capscrew M4 x 40	
19	4060808	1.8 ft /55cm	Flex-Trim	
20	4240018	AR	Tie-Strap (Not Shown)	
21	4240156	1	Strap, Cinch	
22	4460865	1	Connector - 19 Position	
23	4460866	1	Connector - 19 Position	
24	4811400	2	Washer M4	
25	4811700	2	Washer M6 (Not Shown - Use with Item 8)	
26	4811900	8	Washer M8	
27	4812000	2	Washer M10	
28	5260800	6	Nut M8	
29	5281920	6	Screw M8 x 80	
31	1001106757	2	Plate	
32	1001107152	1	Plate	
33	1001116433	2	Guard, Hose	
34	1001118274	6	Nut M8	
35	1001118292	1	Tower Boom Harness Assembly (Not Shown - See BOOM HARNESS - LIMIT SWITCHES AND UPRIGHT VALVE for Breakdown)	
35A	4360548	3	Switch, Limit	
37	1001118592	2	Plate, Hose Clamp	
38	1001118593	2	Plate, Hose Clamp	
39	1001119018	1	Ground to Platform Cable - Main (Not Shown - See GROUND TO PLATFORM CABLE - MAIN BOOM (WITHOUT ARCTIC PACKAGE) for Breakdown)	
40	1001119019	1	Ground to Platform Cable - Tower (Not Shown - See GROUND TO PLATFORM CABLE - TOWER BOOM (WITHOUT ARCTIC PACKAGE) for Breakdown)	
41	1001119139	1	AC Power to Platform Cable - Tower Boom (Not Shown - See AC POWER TO PLATFORM CABLE - TOWER BOOM (WITHOUT ARCTIC PACKAGE) (50Hz) for Breakdown)	
42	1001119140	1	AC Power to Platform Cable - Main Boom (Not Shown - See AC	

SECTION 8 - ELECTRICAL

ITEM	PART NUMBER	QTY	DESCRIPTION	REV
			POWER TO PLATFORM CABLE - MAIN BOOM (WITHOUT ARCTIC PACKAGE) (50Hz) for Breakdown)	
43	1001119194	2	Clamp	
44	1001119197	4	Clamp	
45	1001119228	8	Nut M8	
46	0760605	2	Bolt M6 x 10	
47	2820031	AR	Heat Shrink	
48	4460473	1	Clamp, Cable	
49	4811702	10	Washer M6	
50	3340901	4	Pad, Rubber	
51	1001140524	1	Main Boom Harness Assembly (Not Shown - See BOOM HARNESS - MAIN for Breakdown)	
52	1671092	1	Cover, Connection	
53	1671093	1	Cover, Plug	

SECTION 8 - ELECTRICAL

FIGURE 8-27. BOOM CABLES, HARNESSES AND CLAMPS INSTALLATION - WITH ARCTIC PACKAGE



ART_1001119937

SECTION 8 - ELECTRICAL

FIGURE 8-27. BOOM CABLES, HARNESSES AND CLAMPS INSTALLATION - WITH ARCTIC PACKAGE

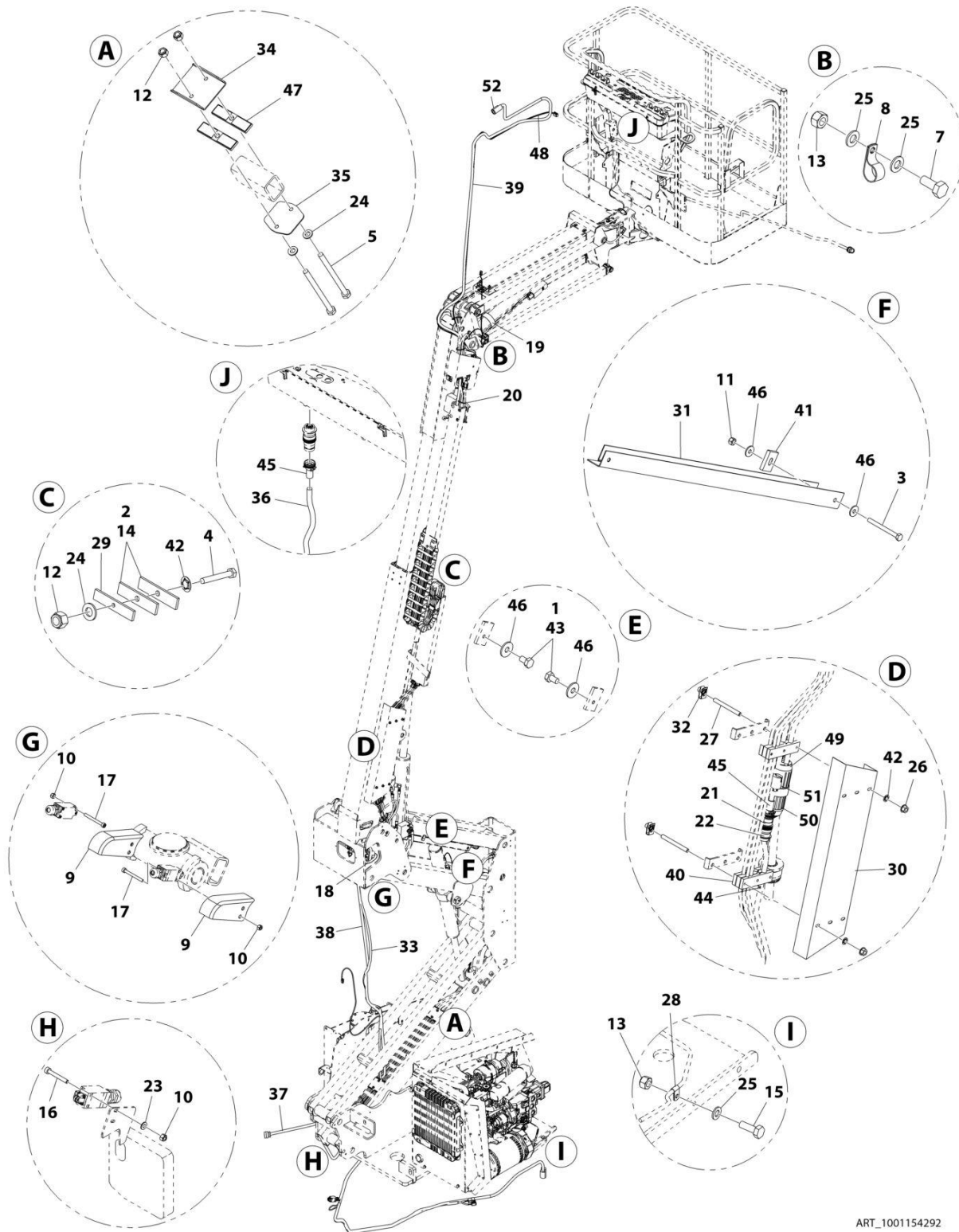
ITEM	PART NUMBER	QTY	DESCRIPTION	REV
	1001119937	Ref	BOOM CABLES, HARNESSES AND CLAMPS INSTALLATION - WITH ARCTIC PACKAGE	G
1	0100011	AR	Compound, Locking	
2	0100081	1	Adhesive	
3	0760621	4	Bolt M6 x 65	
4	0700820	2	Bolt M8 x 60	
5	0700829	4	Bolt M8 x 120	
6	0760608	1	Bolt M6 x 16 (Not Shown - Use with Item 8)	
7	0761012	1	Bolt M10 x 25	
8	1320041	1	Clamp	
9	1320130	1	Clamp	
10	1670899	2	Cover, Switch	
11	3290405	6	Nut M4	
12	3290605	5	Nut M6	
13	3290805	6	Nut M8	
14	3291005	1	Nut M10	
15	3340939	4	Pad, Rubber	
17	4031510	2	Capscrew M4 x 30	
18	4031512	4	Capscrew M4 x 40	
19	4060808	1.8 ft /55cm	Flex-Trim	
20	4240018	AR	Tie-Strap (Not Shown)	
21	4240156	1	Strap, Cinch	
22	4460865	1	Connector - 19 Position	
23	4460866	1	Connector - 19 Position	
24	4811400	2	Washer M4	
25	4811700	2	Washer M6 (Not Shown - Use with Item 8)	
26	4811900	8	Washer M8	
27	4812000	2	Washer M10	
28	5260800	6	Nut M8	
29	5281920	6	Screw M8 x 80	
31	1001106757	2	Plate	
32	1001107152	1	Plate	
33	1001116433	2	Guard, Hose	
34	1001118274	6	Nut M8	
35	1001118292	1	Tower Boom Harness Assembly (Not Shown - See BOOM HARNESS - LIMIT SWITCHES AND UPRIGHT VALVE for Breakdown)	
35A	4360548	3	Switch, Limit	
37	1001118592	2	Plate, Hose Clamp	
38	1001118593	2	Plate, Hose Clamp	
39	1001119953	1	Ground to Platform Cable - Main (Not Shown - See GROUND TO PLATFORM CABLE - MAIN BOOM (WITH ARCTIC PACKAGE) for Breakdown)	
40	1001119954	1	Ground to Platform Cable - Tower (Not Shown - See GROUND TO PLATFORM CABLE - TOWER BOOM (WITH ARCTIC PACKAGE) for Breakdown)	
41	1001119955	1	AC Power to Platform Cable - Main Boom (Not Shown - See AC POWER TO PLATFORM CABLE - MAIN BOOM (WITH ARCTIC PACKAGE) (50Hz) for Breakdown)	
42	1001119956	1	AC Power to Platform Cable - Tower Boom (Not Shown - See AC	

SECTION 8 - ELECTRICAL

ITEM	PART NUMBER	QTY	DESCRIPTION	REV
			POWER TO PLATFORM CABLE - TOWER BOOM (WITH ARTIC PACKAGE) (50Hz) for Breakdown)	
43	1001119195	2	Clamp	
44	1001119197	4	Clamp	
45	1001119228	8	Nut M8	
46	0760605	2	Bolt M6 x 10	
47	2820031	AR	Heat Shrink	
48	4460473	1	Clamp, Cable	
49	4811702	10	Washer M6	
50	3340901	4	Pad, Rubber	
51	1001140524	1	Main Boom Harness Assembly (Not Shown - See BOOM HARNESS - MAIN for Breakdown)	
52	1671092	1	Cover, Connection	
53	1671093	1	Cover, Plug	

SECTION 8 - ELECTRICAL

FIGURE 8-28. BOOM CABLES AND CLAMPS INSTALLATION - 4000W, 50HZ - WITHOUT ARCTIC PACKAGE



ART_1001154292

SECTION 8 - ELECTRICAL

FIGURE 8-28. BOOM CABLES AND CLAMPS INSTALLATION - 4000W, 50HZ - WITHOUT ARCTIC PACKAGE

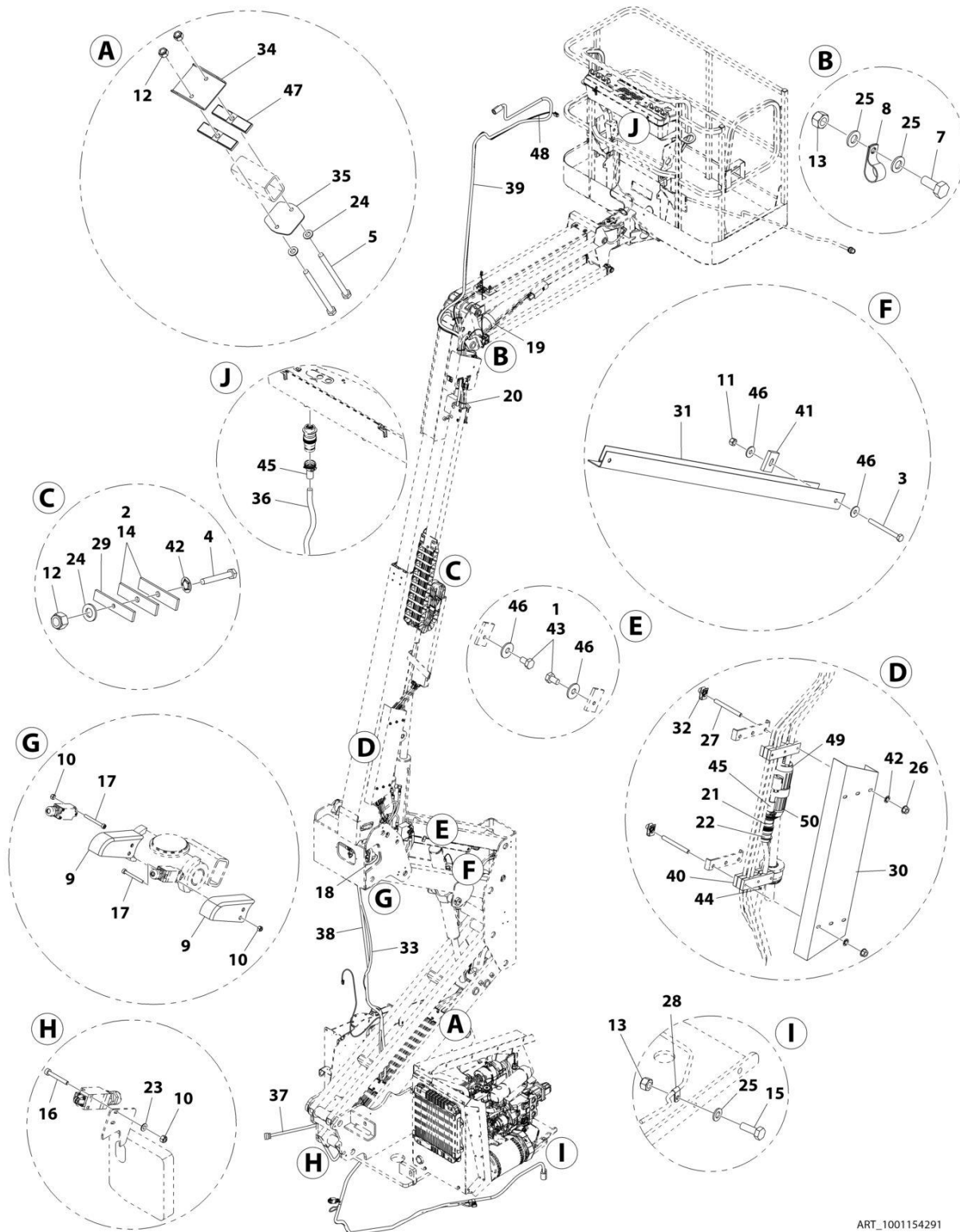
ITEM	PART NUMBER	QTY	DESCRIPTION	REV
	1001154292	Ref	BOOM CABLES AND CLAMPS INSTALLATION - 4000W, 50HZ - WITHOUT ARCTIC PACKAGE	B
1	0100011	AR	Compound, Locking	
2	0100081	AR	Adhesive	
3	0760621	4	Bolt M6 x 65	
4	0700820	2	Bolt M8 x 60	
5	0700829	4	Bolt M8 x 120	
7	0761012	1	Bolt M10 x 25	
8	1320130	1	Clamp	
9	1670899	2	Cover, Switch	
10	3290405	6	Nut M4	
11	3290605	4	Nut M6	
12	3290805	6	Nut M8	
13	3291005	2	Nut M10	
14	3340939	4	Pad, Rubber	
15	0761014	1	Bolt M10 x 30	
16	4031510	2	Capscrew M4 x 30	
17	4031512	4	Capscrew M4 x 40	
18	4060808	1.8 ft /55cm	Flex-Trim	
19	4240156	1	Strap, Cinch	
20	4240018	AR	Tie-Strap	
21	4460865	1	Connector - 19 Position	
22	4460866	1	Connector - 19 Position	
23	4811400	2	Washer M4	
24	4811900	8	Washer M8	
25	4812000	4	Washer M10	
26	5260800	6	Nut M8 Class 10	
27	5281920	6	Capscrew, Cup Point M8 x 80	
28	1320263	1	Clamp	
29	1001106757	2	Plate, Clamp	
30	1001107152	1	Plate, Shield	
31	1001116433	2	Guard, Hose	
32	1001118274	6	Nut M8	
33	1001118292	1	Harness, Tower Boom (See BOOM HARNESS - LIMIT SWITCHES AND UPRIGHT VALVE for Breakdown)	
34	1001118592	2	Plate, Hose Clamp	
35	1001118593	2	Plate, Hose Clamp	
36	1001119018	1	Harness Assembly - Main Boom (See GROUND TO PLATFORM CABLE - MAIN BOOM (WITHOUT ARCTIC PACKAGE) for Breakdown)	
37	1001119019	1	Harness Assembly - Tower Boom (See GROUND TO PLATFORM CABLE - TOWER BOOM (WITHOUT ARCTIC PACKAGE) for Breakdown)	
38	1001119139	1	Cable, AC Tower Boom (See AC POWER TO PLATFORM CABLE - TOWER BOOM (WITHOUT ARCTIC PACKAGE) (50Hz) for Breakdown)	
39	1001119140	1	Cable, AC Main Boom (see AC POWER TO PLATFORM CABLE - MAIN BOOM (WITHOUT ARCTIC PACKAGE) (50Hz) for Breakdown)	
40	1001119194	2	Plate, Hose Clamp	

SECTION 8 - ELECTRICAL

ITEM	PART NUMBER	QTY	DESCRIPTION	REV
41	1001119197	4	Clamp, Hose	
42	1001119228	8	Pushnut M8	
43	0760605	2	Bolt M6 x 10	
44	2820031	AR	Heat Shrink	
45	4460473	1	Clamp, Cable	
46	4811702	10	Washer M6	
47	3340901	4	Pad, Rubber	
48	1001140524	1	Main Boom Harness Assembly (Not Shown - See BOOM HARNESS - MAIN for Breakdown)	
49	1671092	1	Cover, Connector	
50	1671093	1	Cover, Plug	
51	4460709	1	Plug, Male - 250V	
52	4460710	1	Receptacle, Female - 250V	

SECTION 8 - ELECTRICAL

FIGURE 8-29. BOOM CABLES AND CLAMPS INSTALLATION - 4000W, 50HZ - WITH ARCTIC PACKAGE



ART_1001154291

SECTION 8 - ELECTRICAL

FIGURE 8-29. BOOM CABLES AND CLAMPS INSTALLATION - 4000W, 50HZ - WITH ARCTIC PACKAGE

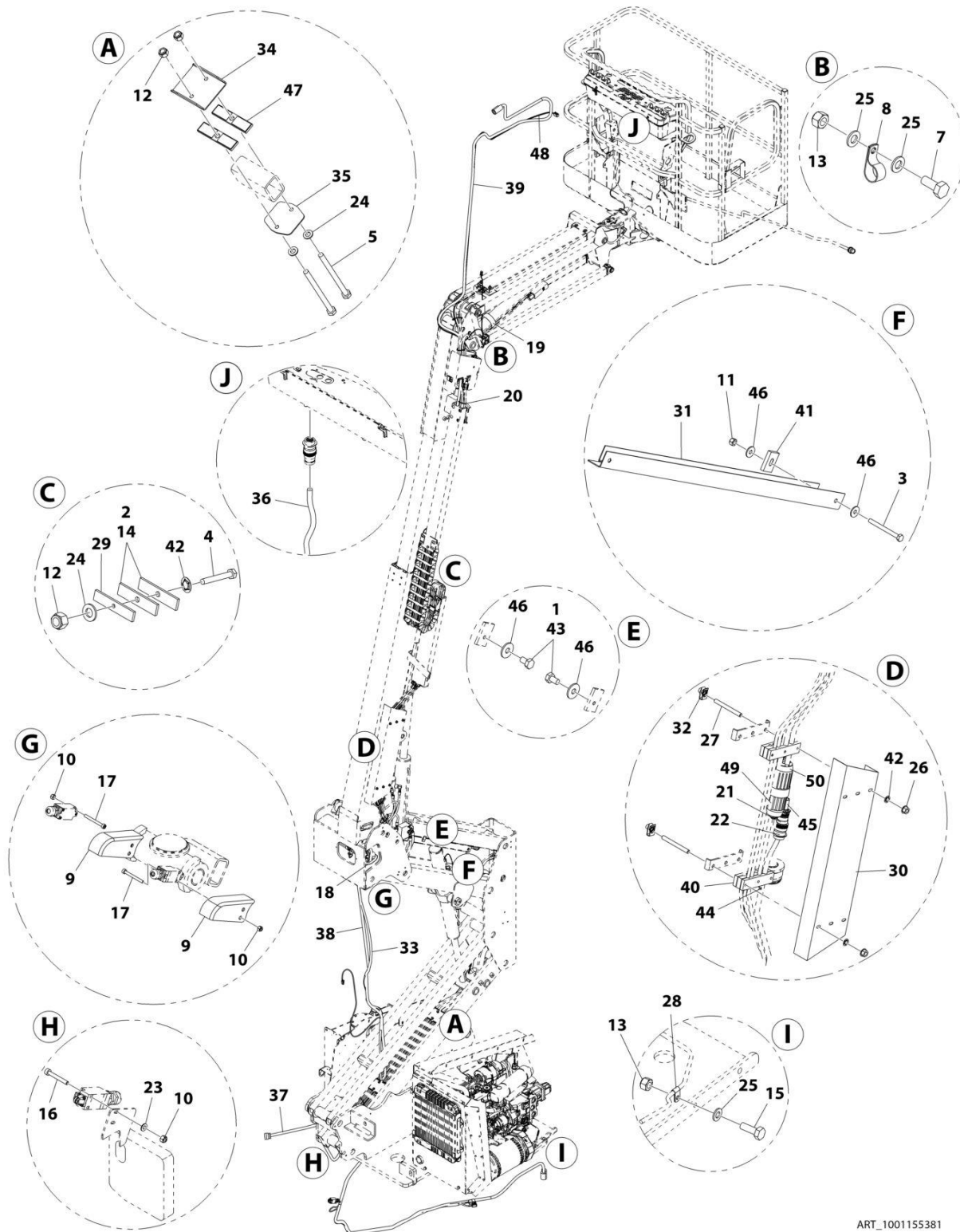
ITEM	PART NUMBER	QTY	DESCRIPTION	REV
	1001154291	Ref	BOOM CABLES AND CLAMPS INSTALLATION - 4000W, 50HZ - WITH ARCTIC PACKAGE	B
1	0100011	AR	Compound, Locking	
2	0100081	AR	Adhesive	
3	0760621	4	Bolt M6 x 65	
4	0700820	2	Bolt M8 x 60	
5	0700829	4	Bolt M8 x 120	
7	0761012	1	Bolt M10 x 25	
8	1320130	1	Clamp	
9	1670899	2	Cover, Switch	
10	3290405	6	Nut M4	
11	3290605	4	Nut M6	
12	3290805	6	Nut M8	
13	3291005	2	Nut M10	
14	3340939	4	Pad, Rubber	
15	0761014	1	Bolt M10 x 30	
16	4031510	2	Capscrew M4 x 30	
17	4031512	4	Capscrew M4 x 40	
18	4060808	1.8 ft /55cm	Flex-Trim	
19	4240156	1	Strap, Cinch	
20	4240018	AR	Tie-Strap	
21	4460865	1	Connector - 19 Position	
22	4460866	1	Connector - 19 Position	
23	4811400	2	Washer M4	
24	4811900	8	Washer M8	
25	4812000	4	Washer M10	
26	5260800	6	Nut M8 Class 10	
27	5281920	6	Capscrew, Cup Point M8 x 80	
28	1320263	1	Clamp	
29	1001106757	2	Plate, Clamp	
30	1001107152	1	Plate, Shield	
31	1001116433	2	Guard, Hose	
32	1001118274	6	Nut M8	
33	1001118292	1	Harness, Tower Boom (See BOOM HARNESS - LIMIT SWITCHES AND UPRIGHT VALVE for Breakdown)	
34	1001118592	2	Plate, Hose Clamp	
35	1001118593	2	Plate, Hose Clamp	
36	1001119953	1	Harness Assembly - Main Boom (See GROUND TO PLATFORM CABLE - MAIN BOOM (WITH ARCTIC PACKAGE) for Breakdown)	
37	1001119954	1	Harness Assembly - Tower Boom (See GROUND TO PLATFORM CABLE - TOWER BOOM (WITH ARCTIC PACKAGE) for Breakdown)	
38	1001119956	1	Cable, AC Tower Boom (See AC POWER TO PLATFORM CABLE - TOWER BOOM (WITH ARCTIC PACKAGE) (50Hz) for Breakdown)	
39	1001119955	1	Cable, AC Main Boom (See AC POWER TO PLATFORM CABLE - MAIN BOOM (WITH ARCTIC PACKAGE) (50Hz) for Breakdown)	
40	1001119195	2	Plate, Hose Clamp	
41	1001119197	4	Clamp, Hose	

SECTION 8 - ELECTRICAL

ITEM	PART NUMBER	QTY	DESCRIPTION	REV
42	1001119228	8	Pushnut M8	
43	0760605	2	Bolt M6 x 10	
44	2820031	AR	Heat Shrink	
45	4460473	1	Clamp, Cable	
46	4811702	10	Washer M6	
47	3340901	4	Pad, Rubber	
48	1001140524	1	Main Boom Harness Assembly (Not Shown - See BOOM HARNESS - MAIN for Breakdown)	
49	1001156351	1	Cover, Connector	
50	1001156352	1	Cover, Plug	

SECTION 8 - ELECTRICAL

FIGURE 8-30. BOOM CABLES AND CLAMPS INSTALLATION - 4000W, 60HZ - WITHOUT ARCTIC PACKAGE



ART_1001155381

SECTION 8 - ELECTRICAL

FIGURE 8-30. BOOM CABLES AND CLAMPS INSTALLATION - 4000W, 60HZ - WITHOUT ARCTIC PACKAGE

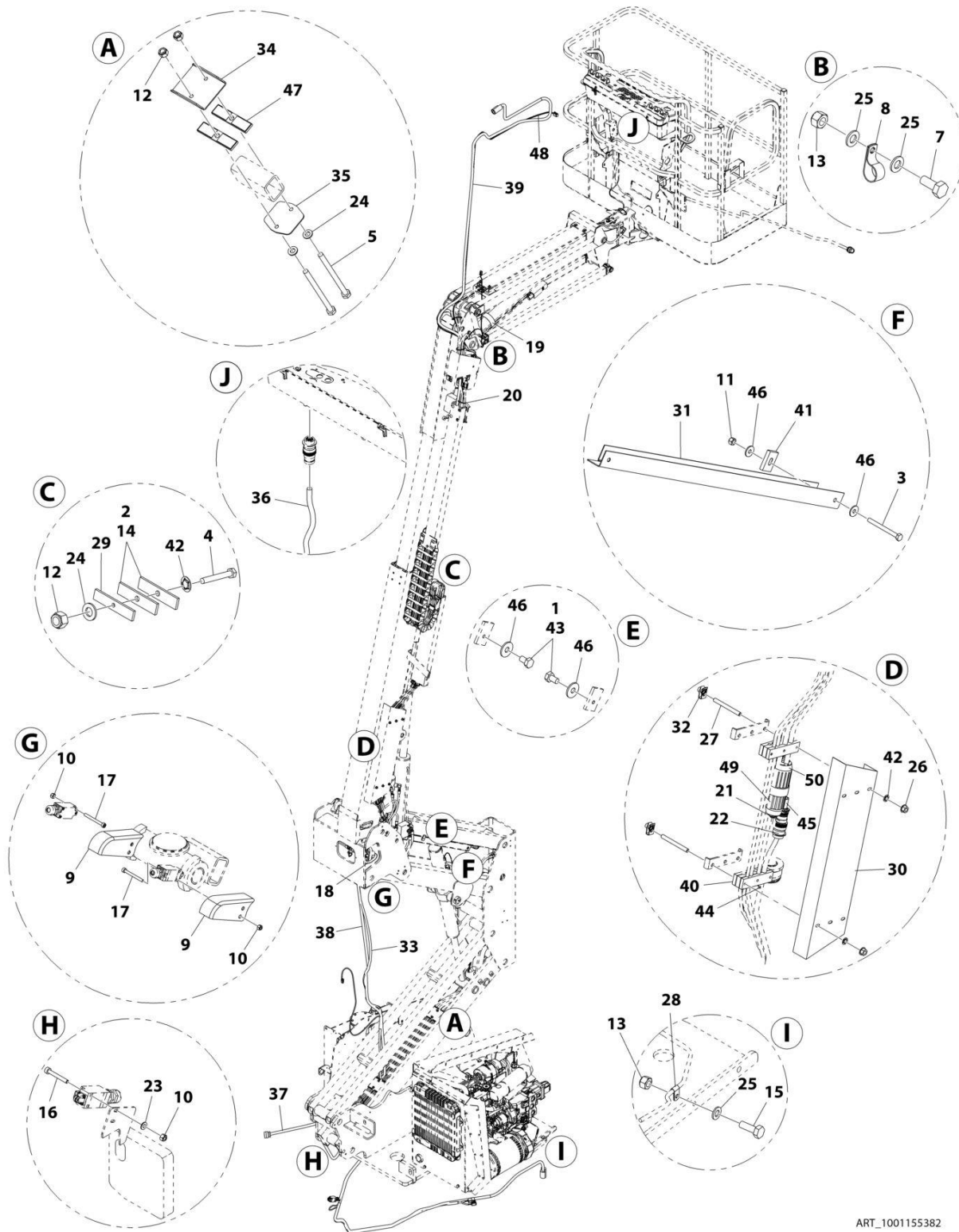
ITEM	PART NUMBER	QTY	DESCRIPTION	REV
	1001155381	Ref	BOOM CABLES AND CLAMPS INSTALLATION - 4000W, 60HZ - WITHOUT ARCTIC PACKAGE	B
1	0100011	AR	Compound, Locking	
2	0100081	AR	Adhesive	
3	0760621	4	Bolt M6 x 65	
4	0700820	2	Bolt M8 x 60	
5	0700829	4	Bolt M8 x 120	
7	0761012	1	Bolt M10 x 25	
8	1320130	1	Clamp	
9	1670899	2	Cover, Switch	
10	3290405	6	Nut M4	
11	3290605	4	Nut M6	
12	3290805	6	Nut M8	
13	3291005	2	Nut M10	
14	3340939	4	Pad, Rubber	
15	0761014	1	Bolt M10 x 30	
16	4031510	2	Capscrew M4 x 30	
17	4031512	4	Capscrew M4 x 40	
18	4060808	1.8 ft /55cm	Flex-Trim	
19	4240156	1	Strap, Cinch	
20	4240018	AR	Tie-Strap	
21	4460865	1	Connector - 19 Position	
22	4460866	1	Connector - 19 Position	
23	4811400	2	Washer M4	
24	4811900	8	Washer M8	
25	4812000	4	Washer M10	
26	5260800	6	Nut M8 Class 10	
27	5281920	6	Capscrew, Cup Point M8 x 80	
28	8406110	1	Clamp	
29	1001106757	2	Plate, Clamp	
30	1001107152	1	Plate, Shield	
31	1001116433	2	Guard, Hose	
32	1001118274	6	Nut M8	
33	1001118292	1	Harness, Tower Boom (See BOOM HARNESS - LIMIT SWITCHES AND UPRIGHT VALVE for Breakdown)	
34	1001118592	2	Plate, Hose Clamp	
35	1001118593	2	Plate, Hose Clamp	
36	1001119018	1	Harness Assembly - Main Boom (See GROUND TO PLATFORM CABLE - MAIN BOOM (WITHOUT ARCTIC PACKAGE) for Breakdown)	
37	1001119019	1	Harness Assembly - Tower Boom (See GROUND TO PLATFORM CABLE - TOWER BOOM (WITHOUT ARCTIC PACKAGE) for Breakdown)	
38	1001157310	1	Cable, AC Tower Boom	
39	1001157311	1	Cable, AC Main Boom	
40	1001119194	2	Plate, Hose Clamp	
41	1001119197	4	Clamp, Hose	
42	1001119228	8	Pushnut M8	
43	0760605	2	Bolt M6 x 10	

SECTION 8 - ELECTRICAL

ITEM	PART NUMBER	QTY	DESCRIPTION	REV
44	2820031	AR	Heat Shrink	
45	4460473	1	Clamp, Cable	
46	4811702	10	Washer M6	
47	3340901	4	Pad, Rubber	
48	1001140524	1	Main Boom Harness Assembly (Not Shown - See BOOM HARNESS - MAIN for Breakdown)	
49	1671092	1	Cover, Connector	
50	1671093	1	Cover, Plug	

SECTION 8 - ELECTRICAL

FIGURE 8-31. BOOM CABLES AND CLAMPS INSTALLATION - 4000W, 60HZ - WITH ARCTIC PACKAGE



ART_1001155382

SECTION 8 - ELECTRICAL

FIGURE 8-31. BOOM CABLES AND CLAMPS INSTALLATION - 4000W, 60HZ - WITH ARCTIC PACKAGE

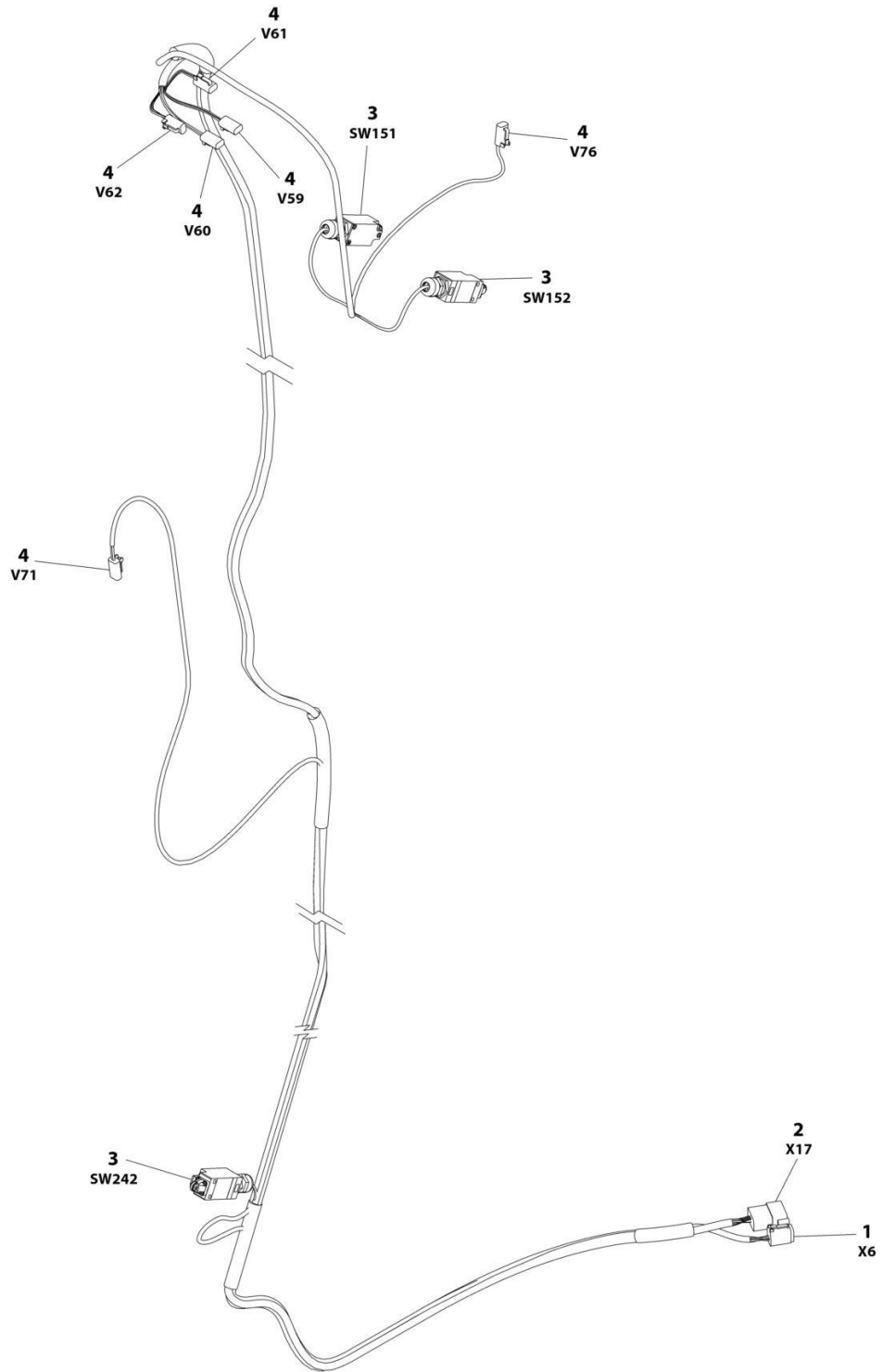
ITEM	PART NUMBER	QTY	DESCRIPTION	REV
	1001155382	Ref	BOOM CABLES AND CLAMPS INSTALLATION - 4000W, 60HZ - WITH ARCTIC PACKAGE	B
1	0100011	AR	Compound, Locking	
2	0100081	AR	Adhesive	
3	0760621	4	Bolt M6 x 65	
4	0700820	2	Bolt M8 x 60	
5	0700829	4	Bolt M8 x 120	
7	0761012	1	Bolt M10 x 25	
8	1320130	1	Clamp	
9	1670899	2	Cover, Switch	
10	3290405	6	Nut M4	
11	3290605	4	Nut M6	
12	3290805	6	Nut M8	
13	3291005	2	Nut M10	
14	3340939	4	Pad, Rubber	
15	0761014	1	Bolt M10 x 30	
16	4031510	2	Capscrew M4 x 30	
17	4031512	4	Capscrew M4 x 40	
18	4060808	1.8 ft /55cm	Flex-Trim	
19	4240156	1	Strap, Cinch	
20	4240018	AR	Tie-Strap	
21	4460865	1	Connector - 19 Position	
22	4460866	1	Connector - 19 Position	
23	4811400	2	Washer M4	
24	4811900	8	Washer M8	
25	4812000	4	Washer M10	
26	5260800	6	Nut M8 Class 10	
27	5281920	6	Capscrew, Cup Point M8 x 80	
28	8406110	1	Clamp	
29	1001106757	2	Plate, Clamp	
30	1001107152	1	Plate, Shield	
31	1001116433	2	Guard, Hose	
32	1001118274	6	Nut M8	
33	1001118292	1	Harness, Tower Boom (See BOOM HARNESS - LIMIT SWITCHES AND UPRIGHT VALVE for Breakdown)	
34	1001118592	2	Plate, Hose Clamp	
35	1001118593	2	Plate, Hose Clamp	
36	1001119953	1	Harness Assembly - Main Boom (See GROUND TO PLATFORM CABLE - MAIN BOOM (WITH ARCTIC PACKAGE) for Breakdown)	
37	1001119954	1	Harness Assembly - Tower Boom (See GROUND TO PLATFORM CABLE - TOWER BOOM (WITH ARCTIC PACKAGE) for Breakdown)	
38	1001157310	1	Cable, AC Tower Boom	
39	1001157311	1	Cable, AC Main Boom	
40	1001119195	2	Plate, Hose Clamp	
41	1001119197	4	Clamp, Hose	
42	1001119228	8	Pushnut M8	
43	0760605	2	Bolt M6 x 10	

SECTION 8 - ELECTRICAL

ITEM	PART NUMBER	QTY	DESCRIPTION	REV
44	2820031	AR	Heat Shrink	
45	4460473	1	Clamp, Cable	
46	4811702	10	Washer M6	
47	3340901	4	Pad, Rubber	
48	1001140524	1	Main Boom Harness Assembly (Not Shown - See BOOM HARNESS - MAIN for Breakdown)	
49	1671092	1	Cover, Connector	
50	1671093	1	Cover, Plug	

SECTION 8 - ELECTRICAL

FIGURE 8-32. BOOM HARNESS - LIMIT SWITCHES AND UPRIGHT VALVE



ART_1001118292

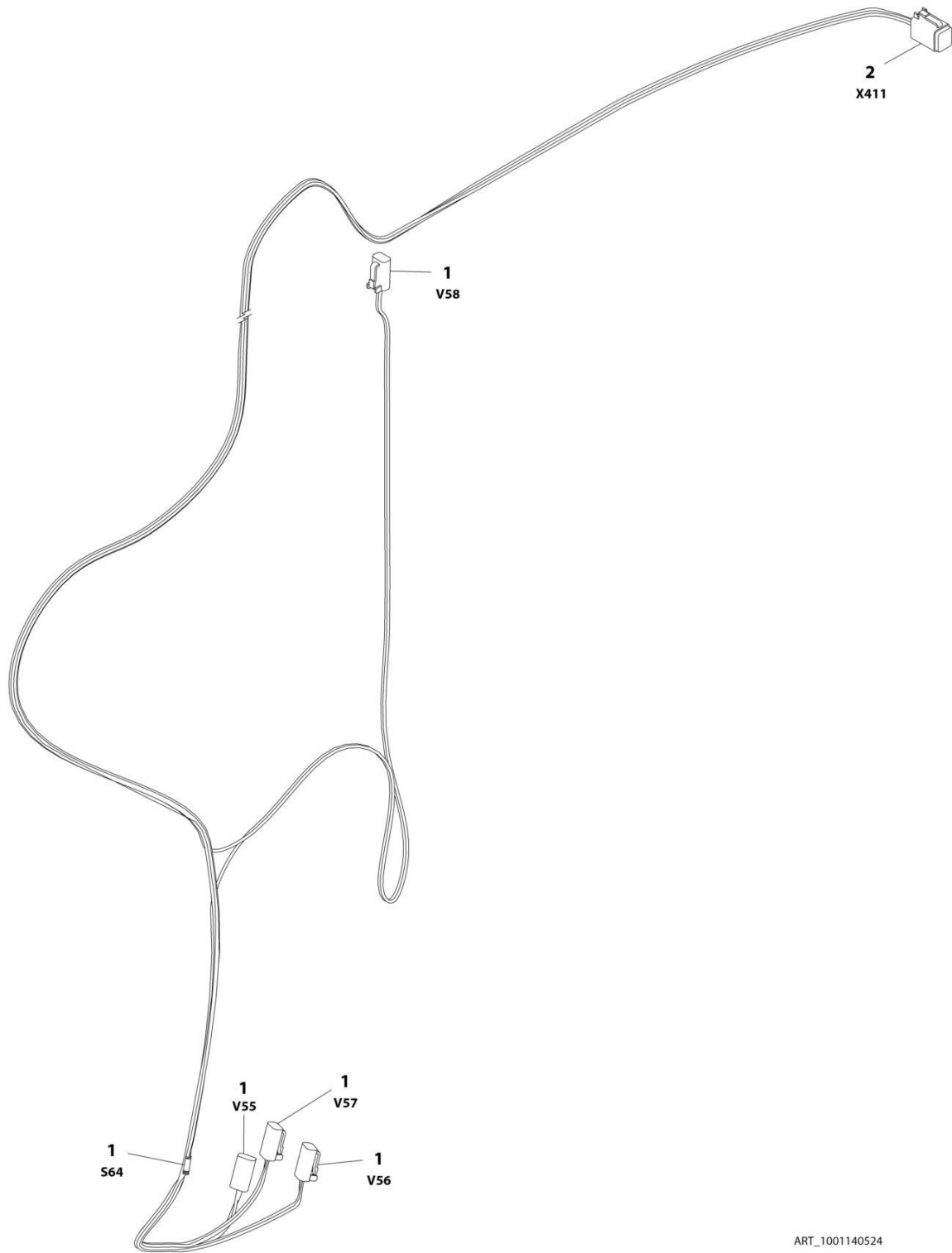
SECTION 8 - ELECTRICAL

FIGURE 8-32. BOOM HARNESS - LIMIT SWITCHES AND UPRIGHT VALVE

ITEM	PART NUMBER	QTY	DESCRIPTION	REV
	1001118292	Ref	BOOM HARNESS - LIMIT SWITCHES AND UPRIGHT VALVE	D
1	4460894	1	Plug, Male - 6 Position	
1	4460465	6	Socket, Female	
2	4460970	1	Receptacle, Female - 12 Position	
2	4460464	9	Pin, Male	
2	4460466	3	Plug, Terminal	
3	4360548	3	Switch, Limit	
3	4460968	3	Connector, Strain Relief	
3	0962449	3	Bushing	
4	4460891	6	Plug, Male - 2 Position	
4	4460465	12	Socket, Female	

SECTION 8 - ELECTRICAL

FIGURE 8-33. BOOM HARNESS - MAIN



ART_1001140524

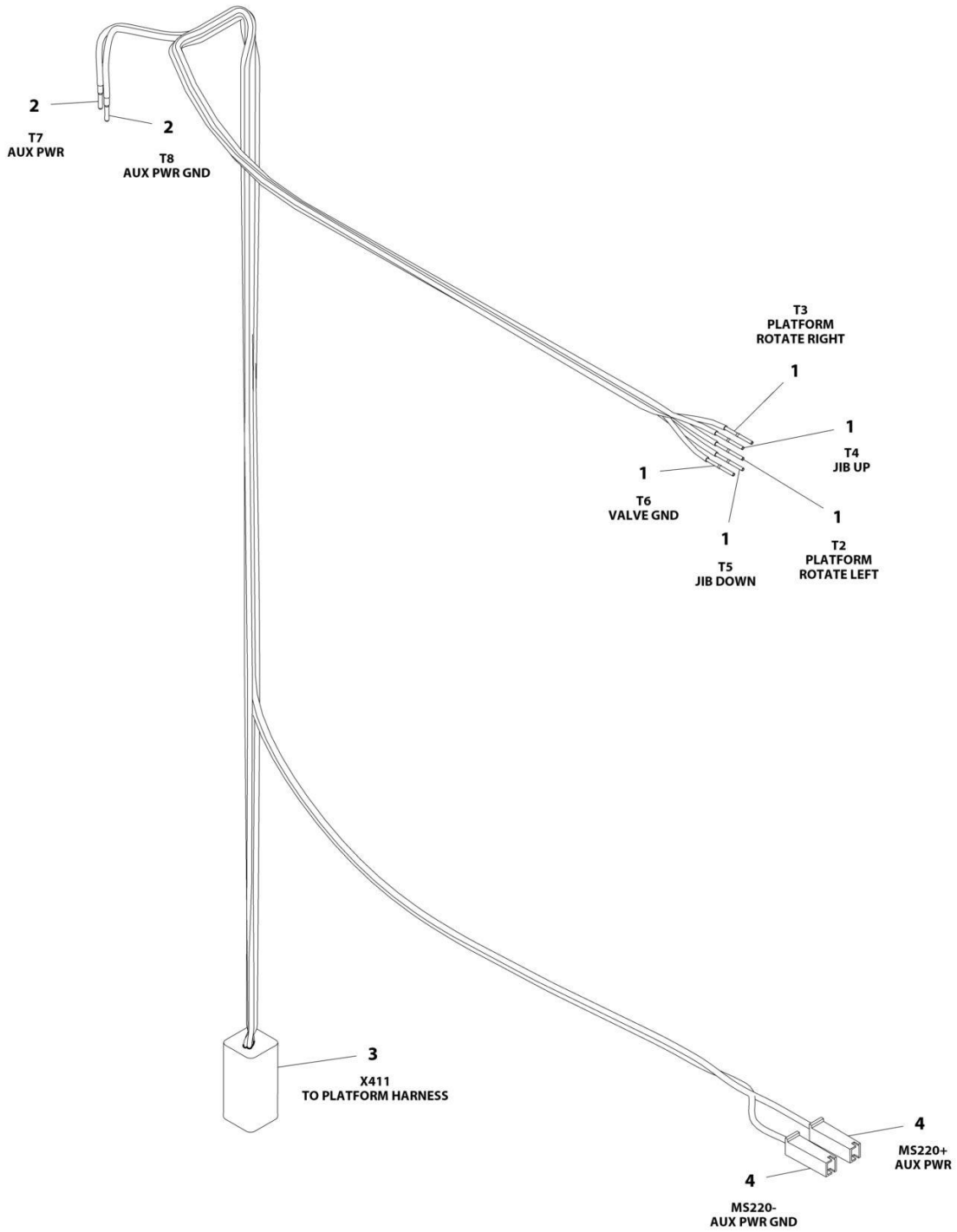
SECTION 8 - ELECTRICAL

FIGURE 8-33. BOOM HARNESS - MAIN

ITEM	PART NUMBER	QTY	DESCRIPTION	REV
	1001140524	Ref	BOOM HARNESS - MAIN	A
1	4460891	4	Plug, Male - 2 Position	
1	4460465	8	Socket, Female	
2	4460894	1	Plug, Male - 6 Position	
2	4460465	5	Socket, Female	
2	4460466	1	Plug, Terminal	

SECTION 8 - ELECTRICAL

FIGURE 8-34. BOOM HARNESS - UPPER BOOM VALVE



ART_1001140525

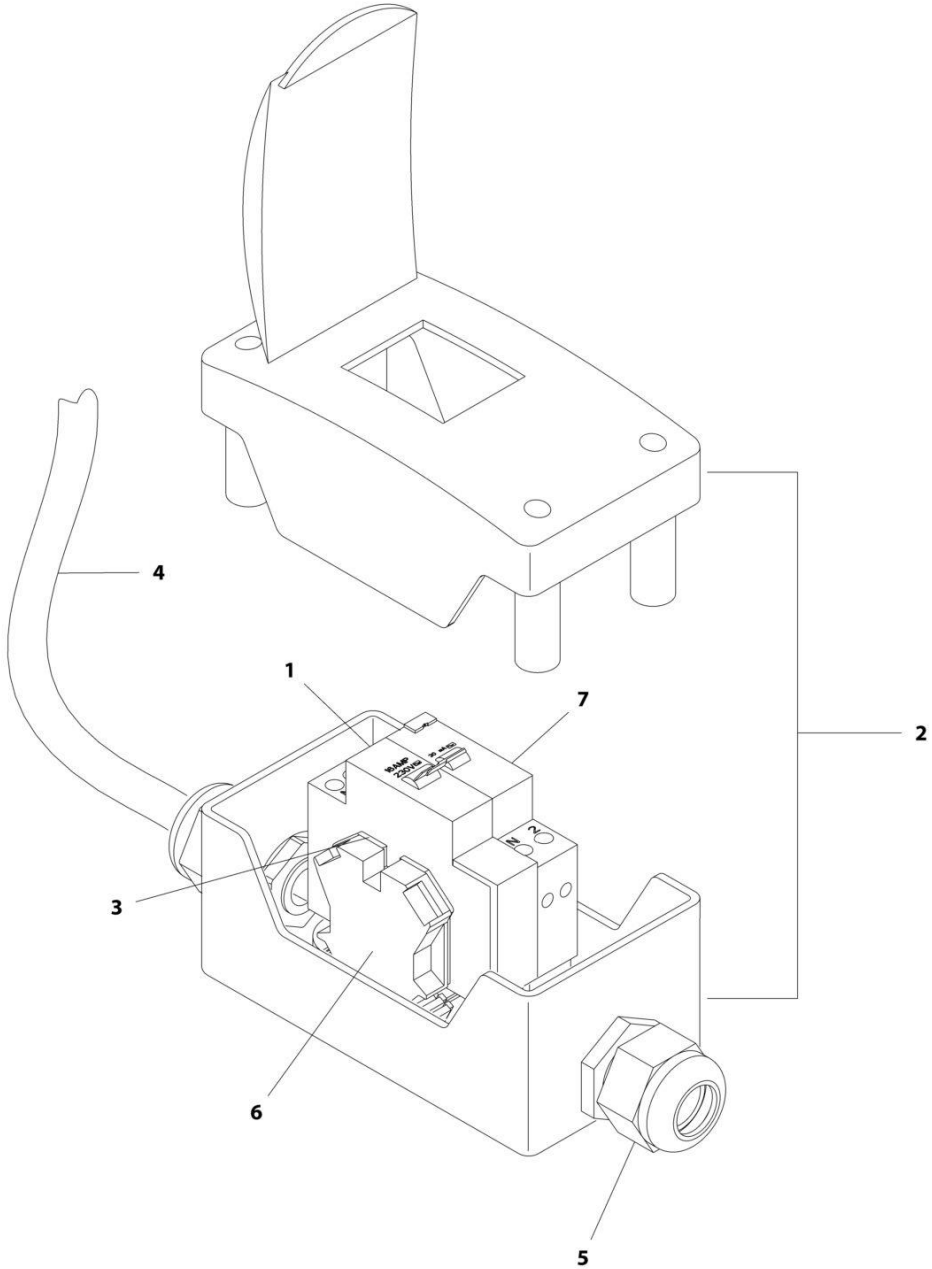
SECTION 8 - ELECTRICAL

FIGURE 8-34. BOOM HARNESS - UPPER BOOM VALVE

ITEM	PART NUMBER	QTY	DESCRIPTION	REV
	1001140525	Ref	BOOM HARNESS - UPPER BOOM VALVE	A
1	4460465	5	Socket, Female	
2	4460508	2	Pin, Male	
3	4460899	1	Connector - 6 Position	
3	4460464	5	Pin, Male	
3	4460466	1	Plug, Terminal	
4	4460260	2	Connector - 1 Position	
4	4460259	2	Terminal	

SECTION 8 - ELECTRICAL

FIGURE 8-35. BREAKER BOX KIT (CE SPEC)



ART_2902549

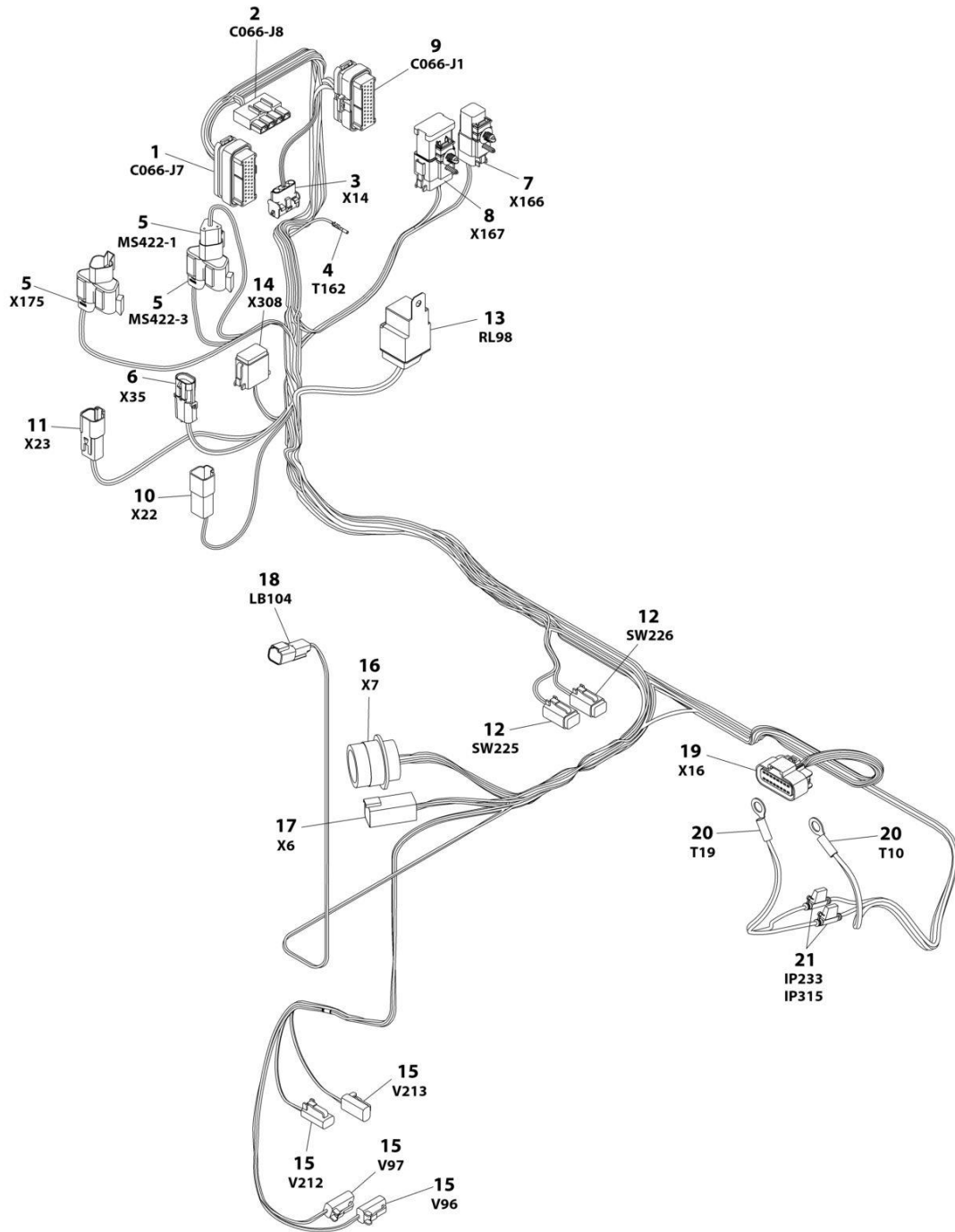
SECTION 8 - ELECTRICAL

FIGURE 8-35. BREAKER BOX KIT (CE SPEC)

ITEM	PART NUMBER	QTY	DESCRIPTION	REV
	2902549	Ref	BREAKER BOX KIT (CE SPEC)	D
1	1001109475	1	Breaker, 16Amp	
2	0861880	1	Box	
3	4460956	1	Barrier, Terminal	
4	1060908	6 ft/1.8m	Cable, 12/3	
5	1001097150	2	Connector, Strain Relief	
6	4460957	1	Block, Terminal	
7	1001109482	1	Breaker, 30mA	

SECTION 8 - ELECTRICAL

FIGURE 8-36. CHASSIS HARNESS ASSEMBLY



ART_1001188093

SECTION 8 - ELECTRICAL

FIGURE 8-36. CHASSIS HARNESS ASSEMBLY

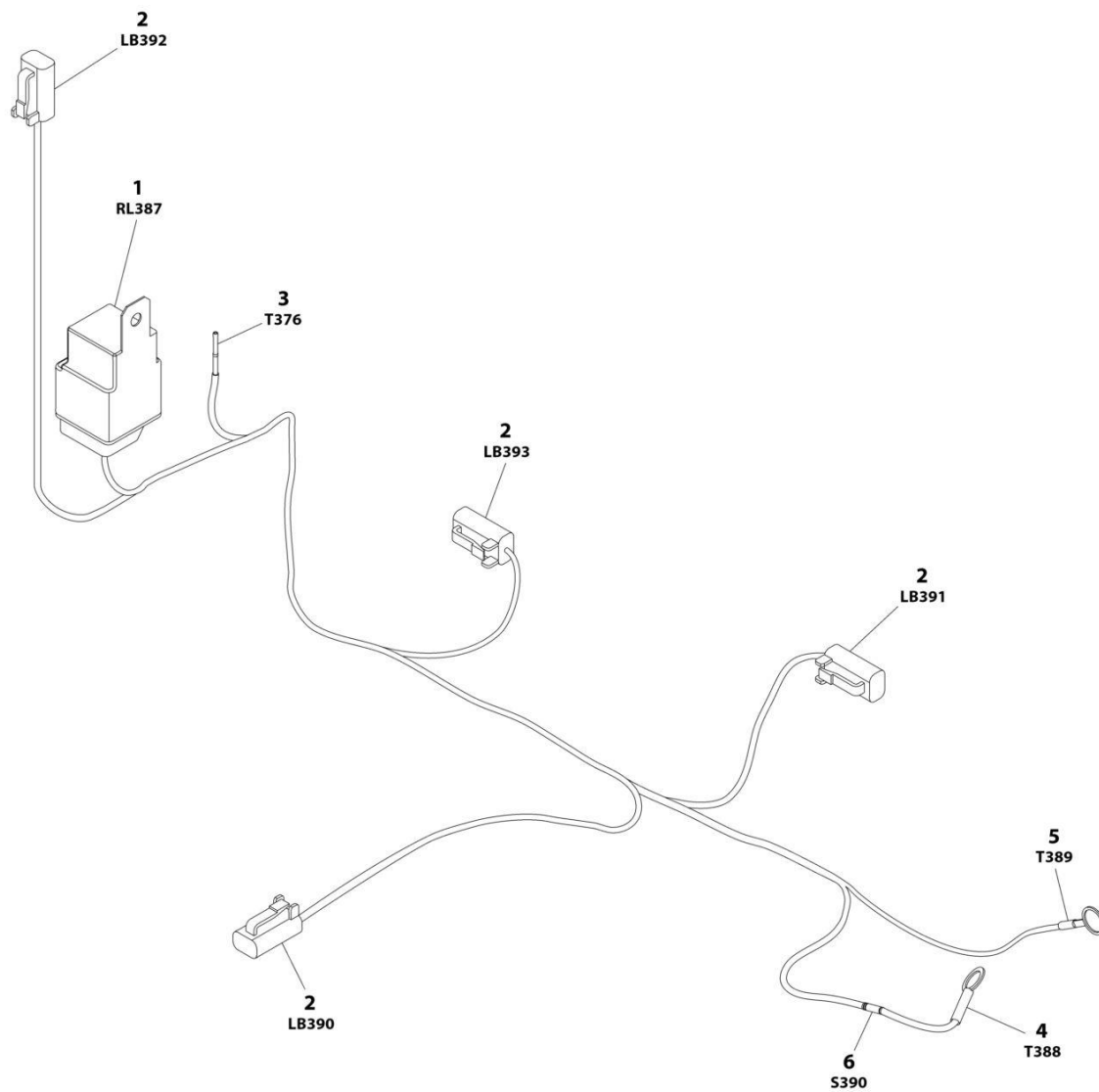
ITEM	PART NUMBER	QTY	DESCRIPTION	REV
	1001188093	Ref	CHASSIS HARNESS ASSEMBLY	D
1	4460873	1	Connector - 35 Position	
1	4460871	19	Socket, Female	
1	4460905	16	Seal, Plug	
2	4460878	1	Connector - 4 Position	
2	4460887	6	Terminal	
3	4460761	1	Connector - 4 Position	
3	4460227	4	Pin, Male	
4	4460871	1	Socket, Female	
5	1001116812	3	Plug, Male - 3 Position	
5	4460944	9	Socket, Female	
5	4460945	1	Receptacle, 3 Way	
6	4461157	1	Receptacle, Female - 2 Position	
6	4460979	1	Pin, Male	
6	1001116727	1	Seal, Plug	
7	4460894	1	Connector - 6 Position	
7	4460465	2	Socket, Female	
7	4460466	4	Plug, Terminal	
7	4460892	1	Connector - 6 Position Bussbar	
7	1001121172	1	Mount, Terminal	
8	4460836	1	Connector - 12 Position	
8	4460465	3	Socket, Female	
8	4460466	7	Plug, Terminal	
8	4460837	1	Connector	
8	1001121172	1	Mount, Terminal	
9	4460874	1	Connector - 35 Position	
9	4460871	21	Socket, Female	
9	4460905	14	Seal, Plug	
10	4460932	1	Receptacle, Female - 4 Position	
10	4460464	3	Pin, Female	
10	4460466	1	Plug, Terminal	
11	1001116811	1	Receptacle, Female - 4 Position	
11	4460508	3	Pin, Male	
11	4460466	1	Plug, Terminal	
12	4460884	2	Plug, Male - 4 Position	
12	4460465	6	Socket, Female	
12	4460466	2	Plug, Terminal	
13	1001117025	1	Relay and Connector Assembly	
13	1001116734	2	Terminal	
13	1001116732	2	Terminal	
14	4460930	1	Plug, Male - 8 Position	
14	4460465	2	Socket, Female	
14	4460466	6	Plug, Terminal	
15	4460891	4	Connector - 2 Position	
15	4460465	8	Socket, Female	
16	4460866	1	Connector - 19 Position	
16	4460943	3	Pin, Male	
16	4460464	6	Pin, Male	
16	4460508	4	Pin, Male	
16	4460466	6	Plug, Terminal	

SECTION 8 - ELECTRICAL

ITEM	PART NUMBER	QTY	DESCRIPTION	REV
17	4460899	1	Connector - 6 Position	
17	4460464	6	Pin, Male	
18	4460897	1	Connector - 2 Position	
18	4460464	2	Pin, Male	
19	4461110	1	Receptacle Female - 16 Position	
19	1001136231	1	Lock, Connector	
19	1001136232	1	Lock, Connector	
19	4461112	15	Terminal, Female	
19	4461113	15	Seal	
19	4461222	1	Plug	
20	8220164	2	Ring, Terminal	
21	2400066	2	Fuse Holder with Leads	

SECTION 8 - ELECTRICAL

FIGURE 8-37. CHASSIS LIGHT HARNESS



ART_1001120299

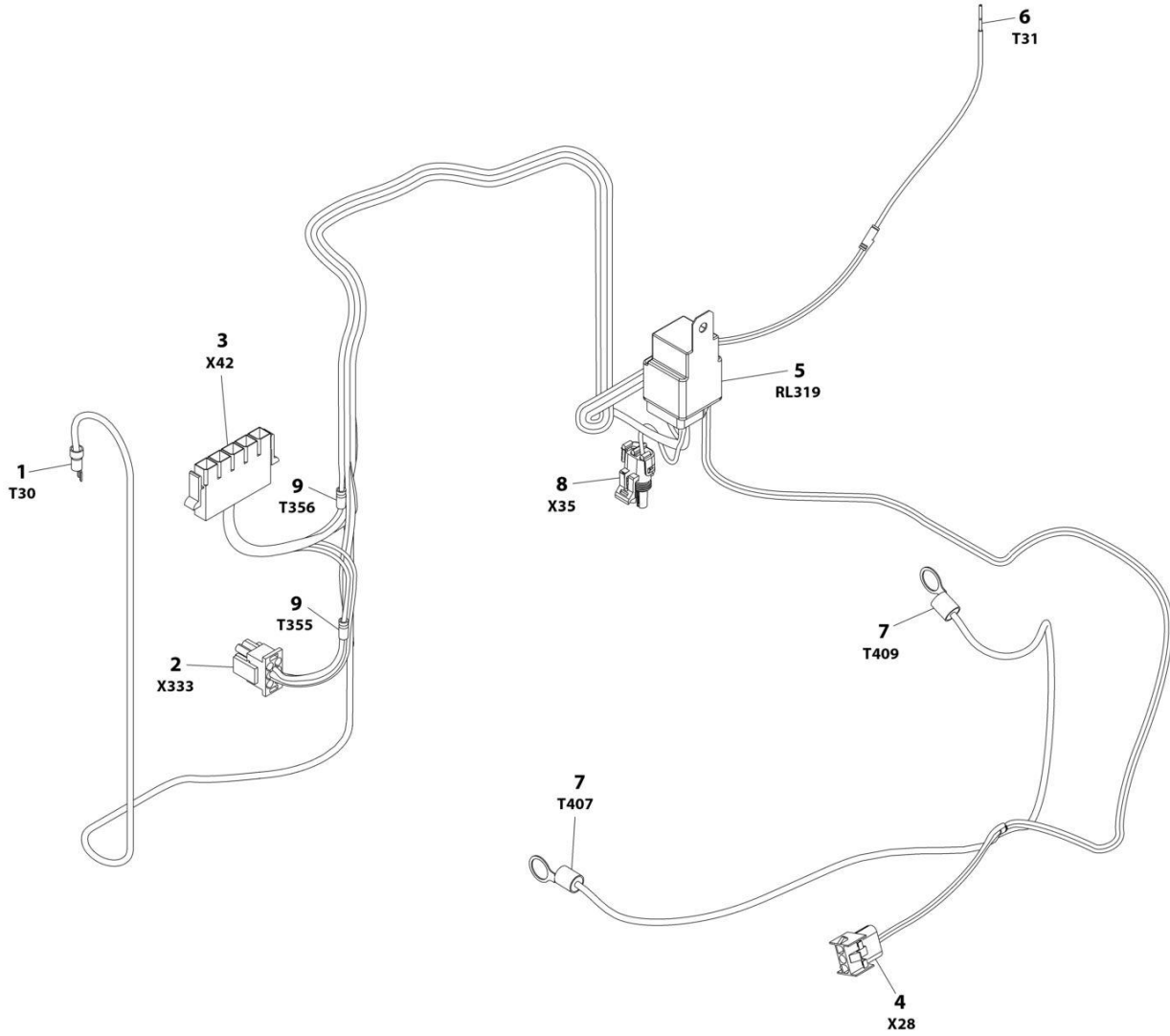
SECTION 8 - ELECTRICAL

FIGURE 8-37. CHASSIS LIGHT HARNESS

ITEM	PART NUMBER	QTY	DESCRIPTION	REV
	1001120299	Ref	CHASSIS LIGHT HARNESS	B
1	1001117025	1	Relay and Connector Assembly	
1	1001116734	2	Terminal	
1	1001116732	2	Terminal	
2	4460891	4	Plug, Male - 2 Position	
2	4460465	8	Socket, Female	
3	4460465	1	Socket, Female	
4	4460256	1	Ring, Terminal	
5	4460019	1	Ring, Terminal	
6	4460474	1	Terminal	

SECTION 8 - ELECTRICAL

FIGURE 8-38. GENERATOR HARNESS - 2500W



ART_1001119773

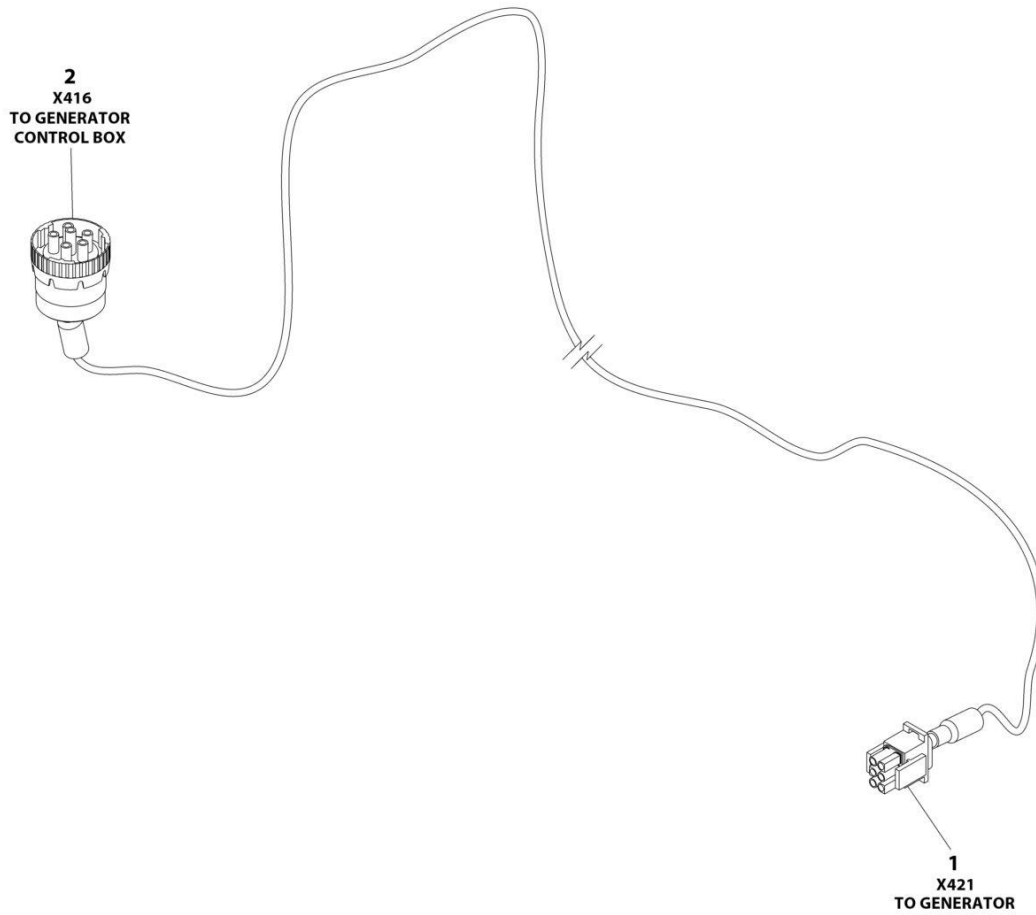
SECTION 8 - ELECTRICAL

FIGURE 8-38. GENERATOR HARNESS - 2500W

ITEM	PART NUMBER	QTY	DESCRIPTION	REV
	1001119773	Ref	GENERATOR HARNESS - 2500W	C
1	4460806	1	Terminal	
2	4460225	1	Plug, Male - 6 Position	
2	4460705	1	Pin, Male	
2	4460267	3	Pin, Male	
2	4460268	2	Socket, Female	
3	4460972	1	Plug, Male - 5 Position	
3	4460973	1	Terminal 12Ga	
3	4460974	4	Terminal 16Ga	
4	4460445	1	Receptacle, Female - 3 Position	
4	4460268	3	Socket, Female	
5	1001117025	1	Relay and Connector Assembly	
5	1001116734	2	Terminal	
5	1001116732	2	Terminal	
6	4460465	1	Socket, Female Deutsch 16Ga	
7	8220029	2	Terminal	
8	4460742	1	Plug, Male - 2 Position	
8	4460743	1	Socket, Female	
8	1001116727	1	Seal, Plug	
9	4460121	2	Cap, Wire	

SECTION 8 - ELECTRICAL

FIGURE 8-39. GENERATOR HARNESS - 4000W



ART_1001157916

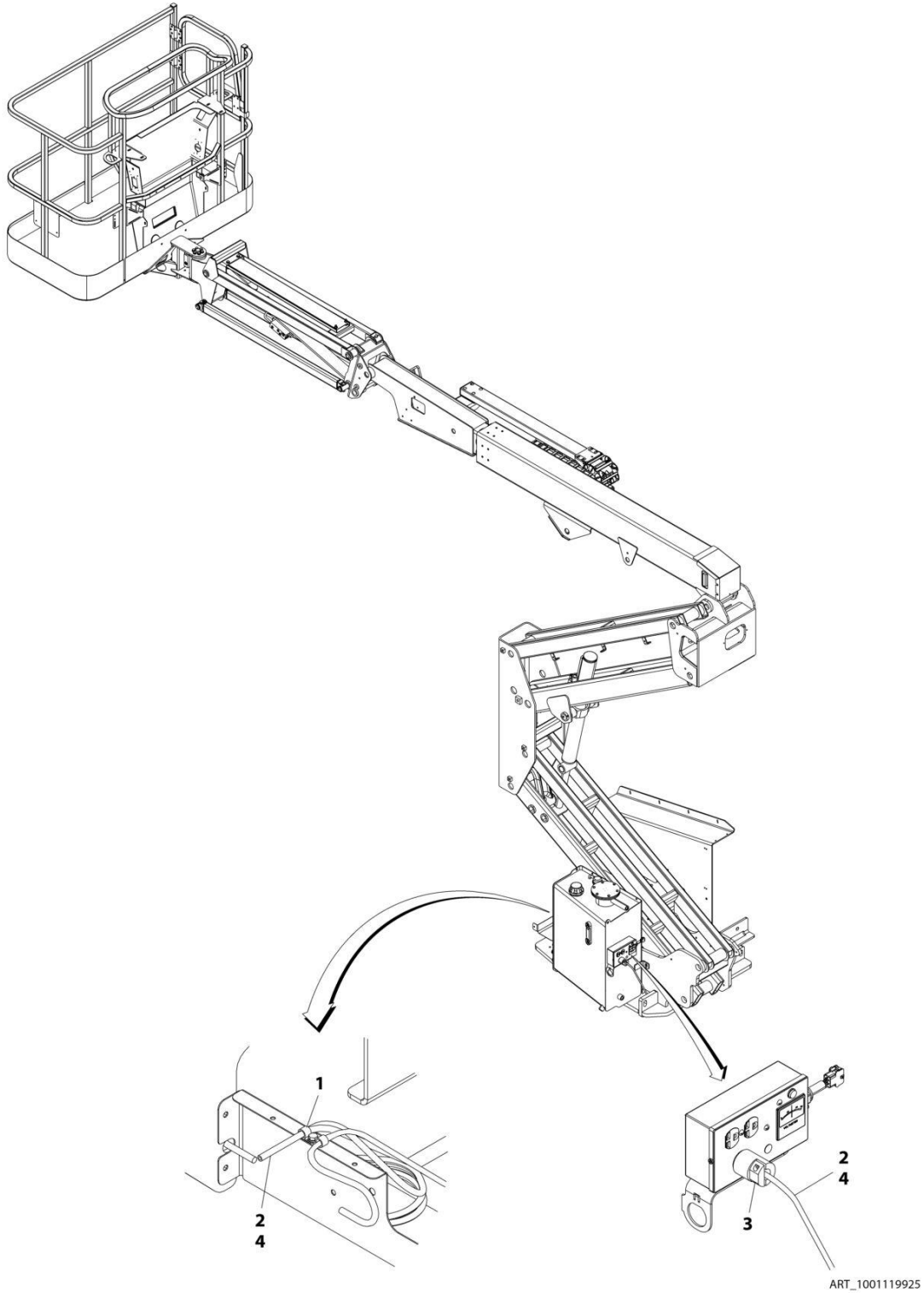
SECTION 8 - ELECTRICAL

FIGURE 8-39. GENERATOR HARNESS - 4000W

ITEM	PART NUMBER	QTY	DESCRIPTION	REV
	1001157916	Ref	GENERATOR HARNESS - 4000W	B
1	4460225	1	Plug, Male - 6 Position	
1	4460268	2	Socket, Female	
2	77363233	1	Connector	
2	4460465	2	Socket, Female	
2	4460466	4	Plug, Terminal	

SECTION 8 - ELECTRICAL

FIGURE 8-40. GENERATOR TO AC PLUG HARNESS - 2800W GENERATOR 220/50HZ (ANSI EXPORT, AUSTRALIAN, CE AND CHINA SPECS)



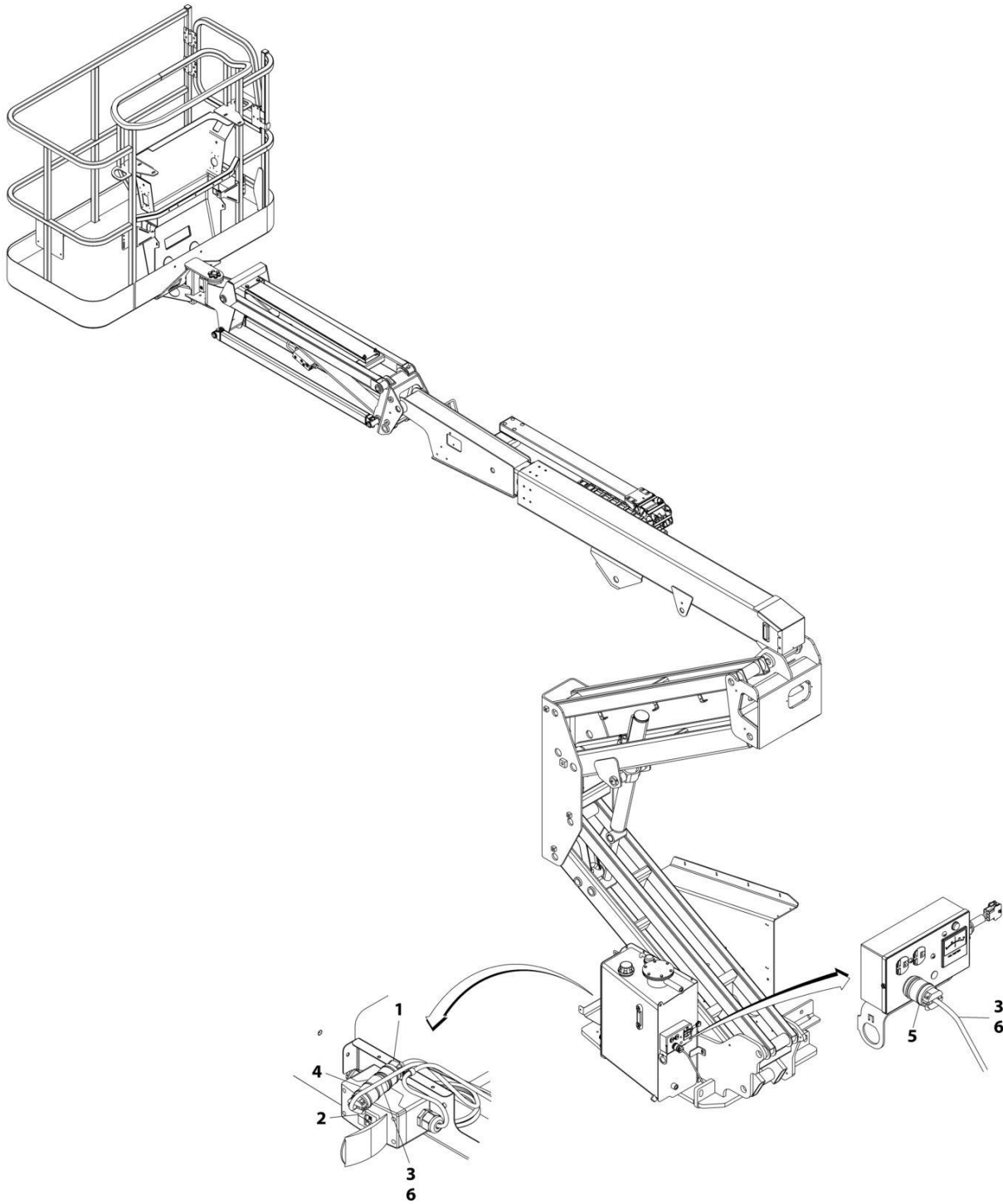
SECTION 8 - ELECTRICAL

FIGURE 8-40. GENERATOR TO AC PLUG HARNESS - 2800W GENERATOR 220/50HZ (ANSI EXPORT, AUSTRALIAN, CE AND CHINA SPECS)

ITEM	PART NUMBER	QTY	DESCRIPTION	REV
	1001119925	Ref	GENERATOR TO AC PLUG HARNESS - 2800W GENERATOR 220/50HZ (ANSI EXPORT, AUSTRALIAN, CE AND CHINA SPECS)	A
1	1320043	1	Clamp	
2	1001119922	1	Harness, Generator to AC Plug	B
3	4460709	1	Plug, Male	
4	4923505	7 ft/2.13m	Cable, 14/3	

SECTION 8 - ELECTRICAL

FIGURE 8-41. GENERATOR TO AC PLUG HARNESS - 2800W GENERATOR 110/50HZ (CE SPECS ONLY)



ART_1001119927

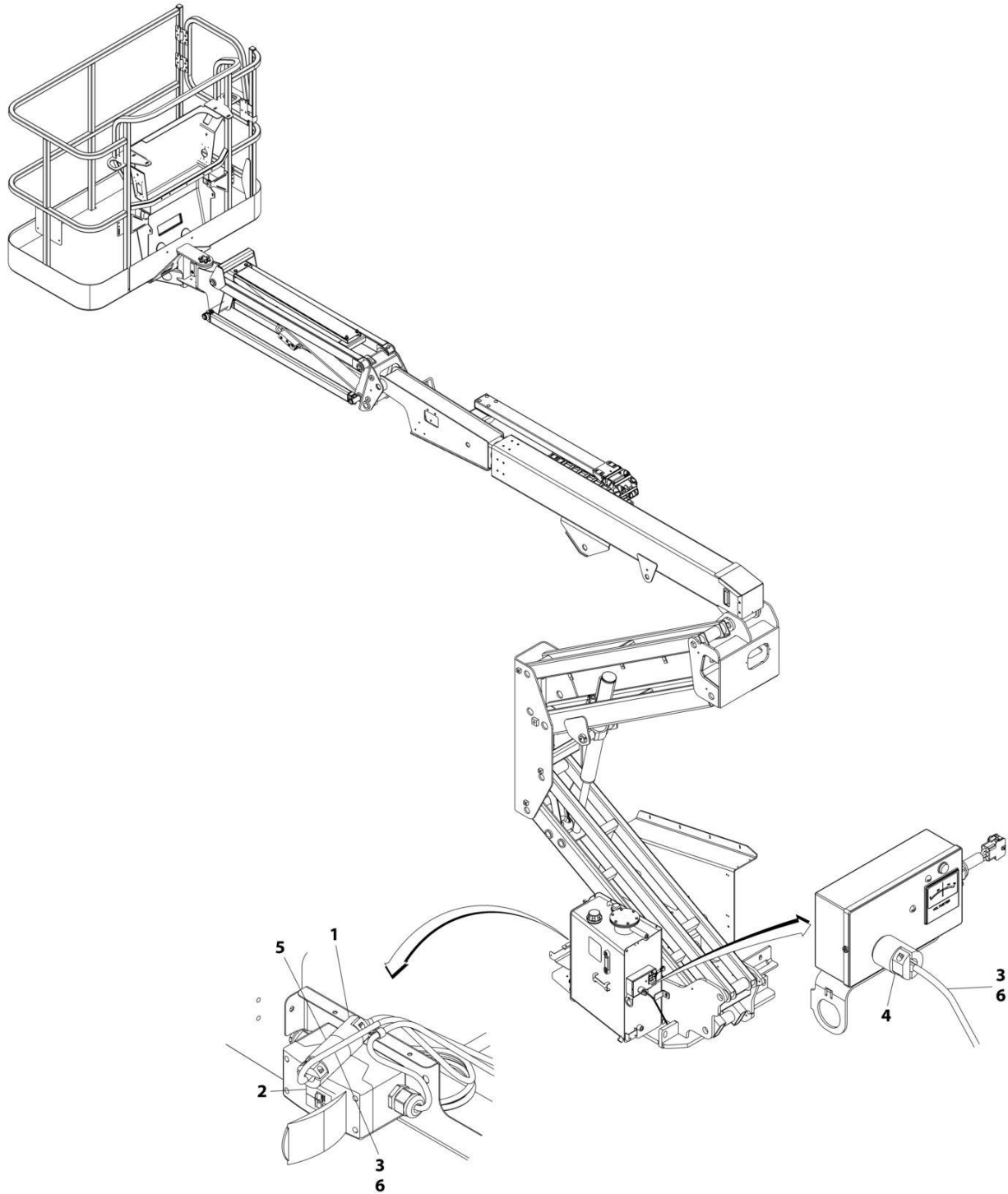
SECTION 8 - ELECTRICAL

FIGURE 8-41. GENERATOR TO AC PLUG HARNESS - 2800W GENERATOR 110/50HZ (CE SPECS ONLY)

ITEM	PART NUMBER	QTY	DESCRIPTION	REV
	1001119927	Ref	GENERATOR TO AC PLUG HARNESS - 2800W GENERATOR 110/50HZ (CE SPECS ONLY)	A
1	4460205	1	Plug, Male	
2	1001109477	1	Breaker 10Amp	
3	1001119919	1	Harness, Generator to AC Plug	B
4	4460134	1	Plug, Female	
5	4460205	1	Plug, Male	
6	4923505	7 ft/2.13m	Cable, 14/3	

SECTION 8 - ELECTRICAL

FIGURE 8-42. GENERATOR TO AC PLUG HARNESS - 2800W GENERATOR 220/50HZ (ANSI EXPORT, AUSTRALIAN, CE AND CHINA SPECS)



ART_1001119928

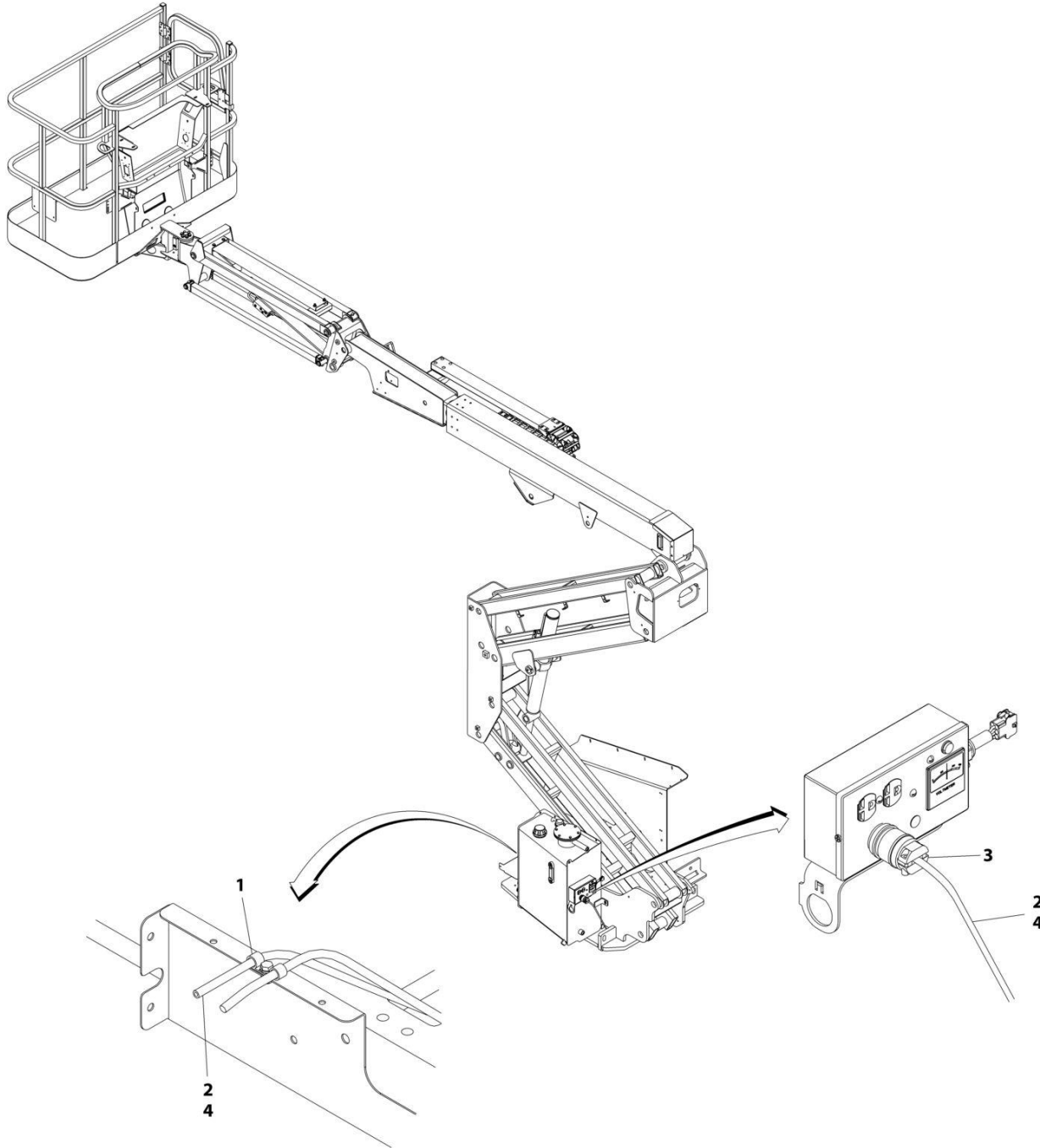
SECTION 8 - ELECTRICAL

FIGURE 8-42. GENERATOR TO AC PLUG HARNESS - 2800W GENERATOR 220/50HZ (ANSI EXPORT, AUSTRALIAN, CE AND CHINA SPECS)

ITEM	PART NUMBER	QTY	DESCRIPTION	REV
	1001119928	Ref	GENERATOR TO AC PLUG HARNESS - 2800W GENERATOR 220/50HZ (ANSI EXPORT, AUSTRALIAN, CE AND CHINA SPECS)	B
1	4460709	1	Plug, Male	
2	1001109477	1	Breaker 10 Amp	
3	1001119920	1	Harness, Generator to AC Plug	A
4	4460709	1	Plug, Male	
5	4460710	1	Plug, Female	
6	4923505	6.8 ft/ 2.06m	Cable, 14/3	

SECTION 8 - ELECTRICAL

FIGURE 8-43. GENERATOR TO AC PLUG HARNESS - 3500W GENERATOR 220/60HZ (ANSI EXPORT, CHINA AND CSA SPECS)



ART_1001119924

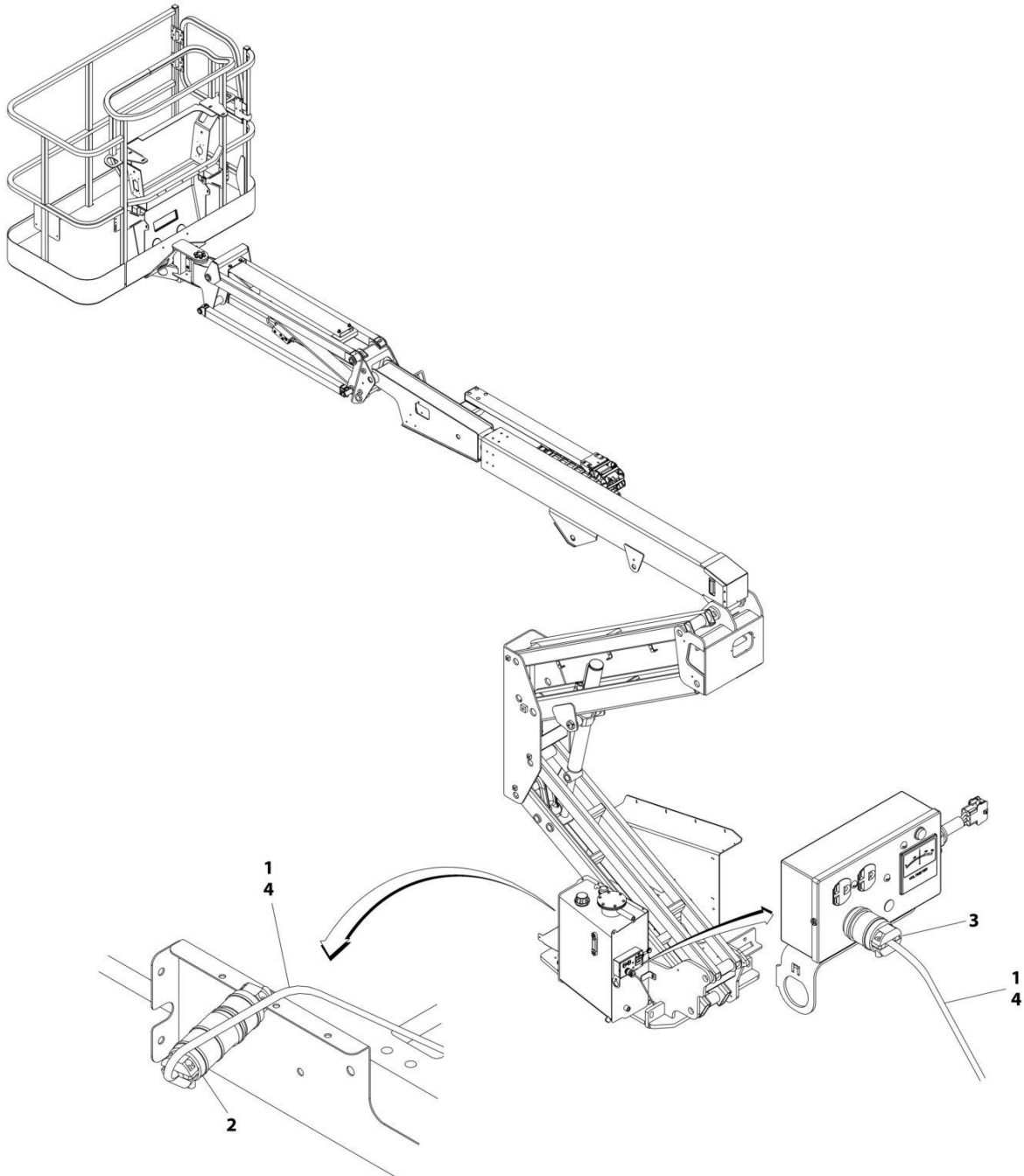
SECTION 8 - ELECTRICAL

FIGURE 8-43. GENERATOR TO AC PLUG HARNESS - 3500W GENERATOR 220/60HZ (ANSI EXPORT, CHINA AND CSA SPECS)

ITEM	PART NUMBER	QTY	DESCRIPTION	REV
	1001119924	Ref	GENERATOR TO AC PLUG HARNESS - 3500W GENERATOR 220/60HZ (ANSI EXPORT, CHINA AND CSA SPECS)	A
1	1320043	1	Clamp	
2	1001119921	1	Harness, Generator to AC Plug	A
3	4460205	1	Plug, Male	
4	4923505	7 ft/2.13m	Cable, 14/3	

SECTION 8 - ELECTRICAL

FIGURE 8-44. GENERATOR TO AC PLUG HARNESS - 3500W GENERATOR 110/60HZ (ANSI, ANSI EXPORT, CHINA, CSA AND JAPANESE SPECS)



ART_1001119923

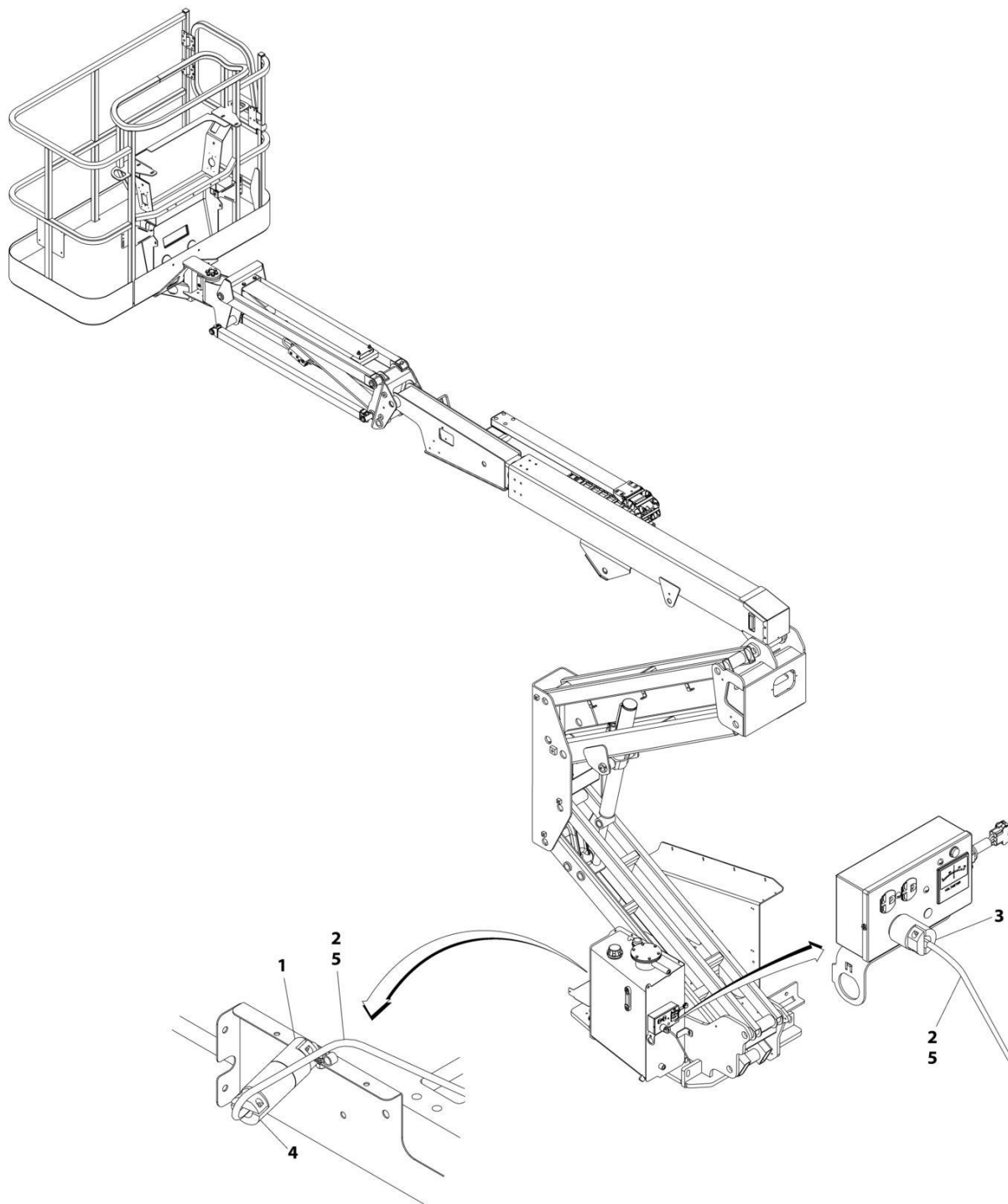
SECTION 8 - ELECTRICAL

FIGURE 8-44. GENERATOR TO AC PLUG HARNESS - 3500W GENERATOR 110/60HZ (ANSI, ANSI EXPORT, CHINA, CSA AND JAPANESE SPECS)

ITEM	PART NUMBER	QTY	DESCRIPTION	REV
	1001119923	Ref	GENERATOR TO AC PLUG HARNESS - 3500W GENERATOR 110/60HZ (ANSI, ANSI EXPORT, CHINA, CSA AND JAPANESE SPECS)	A
1	1001119919	1	Harness, Generator to AC Plug	B
2	4460134	1	Plug, Female	
3	4460205	1	Plug, Male	
4	4923505	7 ft/2.13m	Cable, 14/3	

SECTION 8 - ELECTRICAL

FIGURE 8-45. GENERATOR TO AC PLUG HARNESS - 3500W GENERATOR 220/60HZ (ANSI EXPORT, CHINA AND CSA SPECS)



ART_1001119926

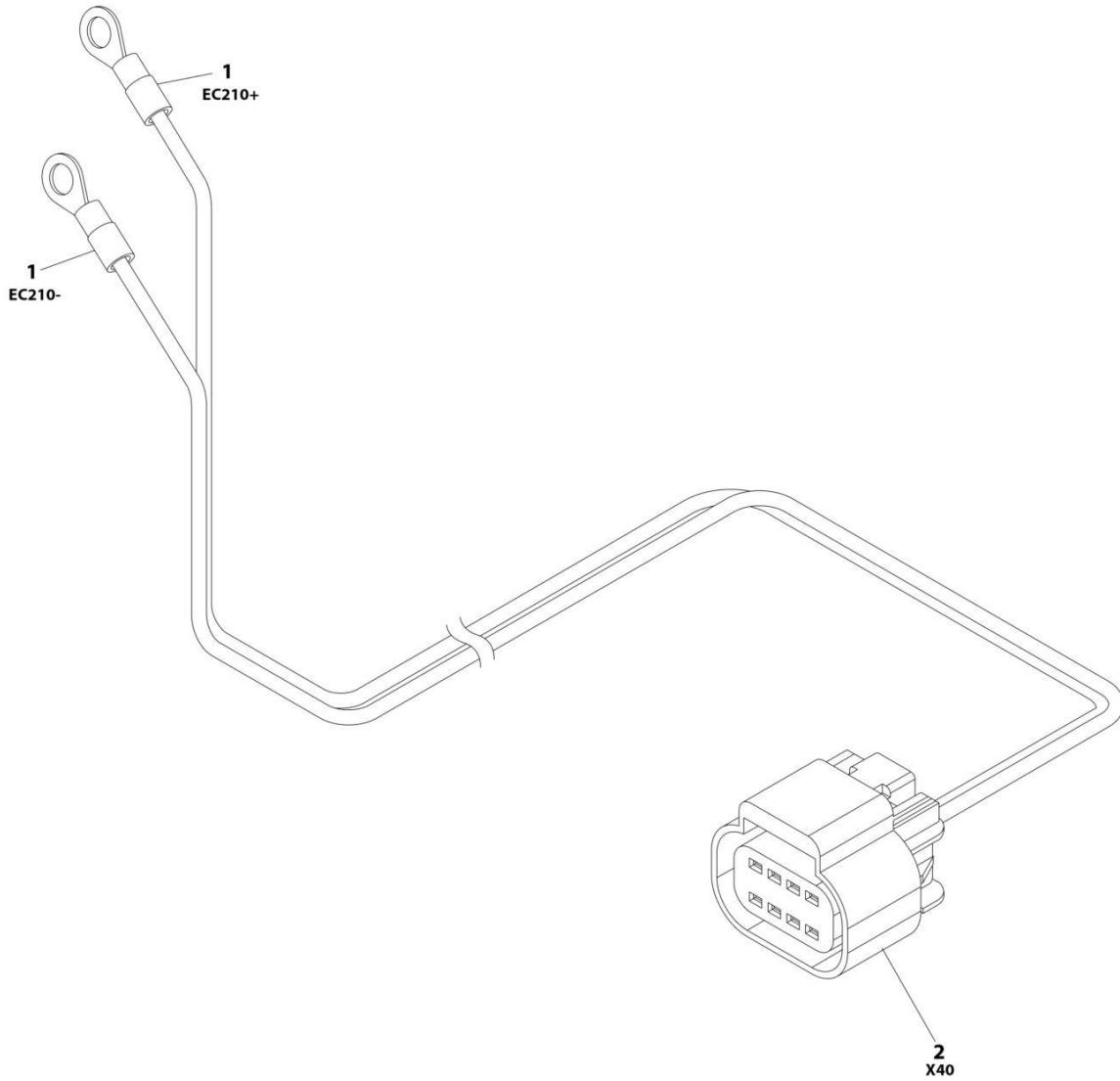
SECTION 8 - ELECTRICAL

FIGURE 8-45. GENERATOR TO AC PLUG HARNESS - 3500W GENERATOR 220/60HZ (ANSI EXPORT, CHINA AND CSA SPECS)

ITEM	PART NUMBER	QTY	DESCRIPTION	REV
	1001119926	Ref	GENERATOR TO AC PLUG HARNESS - 3500W GENERATOR 220/60HZ (ANSI EXPORT, CHINA AND CSA SPECS)	A
1	4460709	1	Plug, Male	
2	1001119920	1	Harness, Generator to AC Plug	A
3	4460709	1	Plug, Male	
4	4460710	1	Plug, Female	
5	4923505	6.8 ft/ 2.06m	Cable, 14/3	

SECTION 8 - ELECTRICAL

FIGURE 8-46. GM FUEL PUMP HARNESS



ART_1001119778

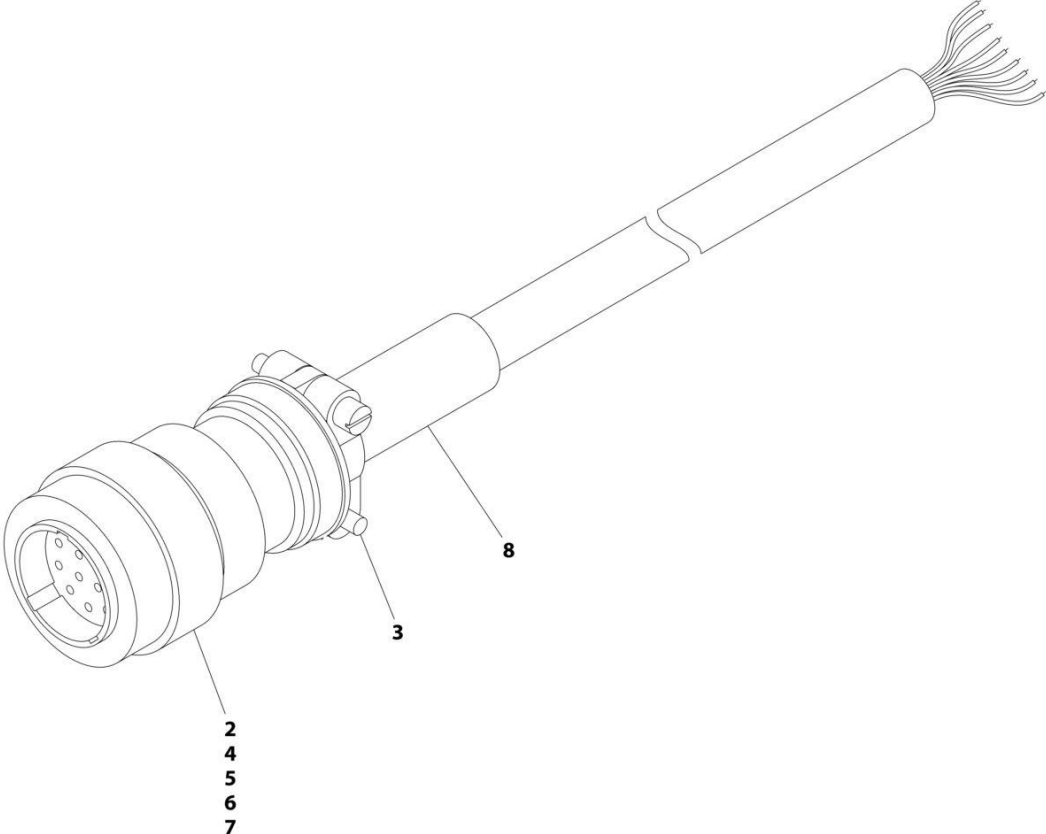
SECTION 8 - ELECTRICAL

FIGURE 8-46. GM FUEL PUMP HARNESS

ITEM	PART NUMBER	QTY	DESCRIPTION	REV
	1001119778	Ref	GM FUEL PUMP HARNESS	A
1	4460313	2	Terminal, Ring	
2	1001119799	1	Receptacle, Female - 8 Position	
2	4461112	2	Terminal, Female	
2	4461113	2	Seal	
2	4461222	6	Plug	

SECTION 8 - ELECTRICAL

FIGURE 8-47. GROUND TO PLATFORM CABLE - MAIN BOOM (WITHOUT ARCTIC PACKAGE)



ART_1001119018

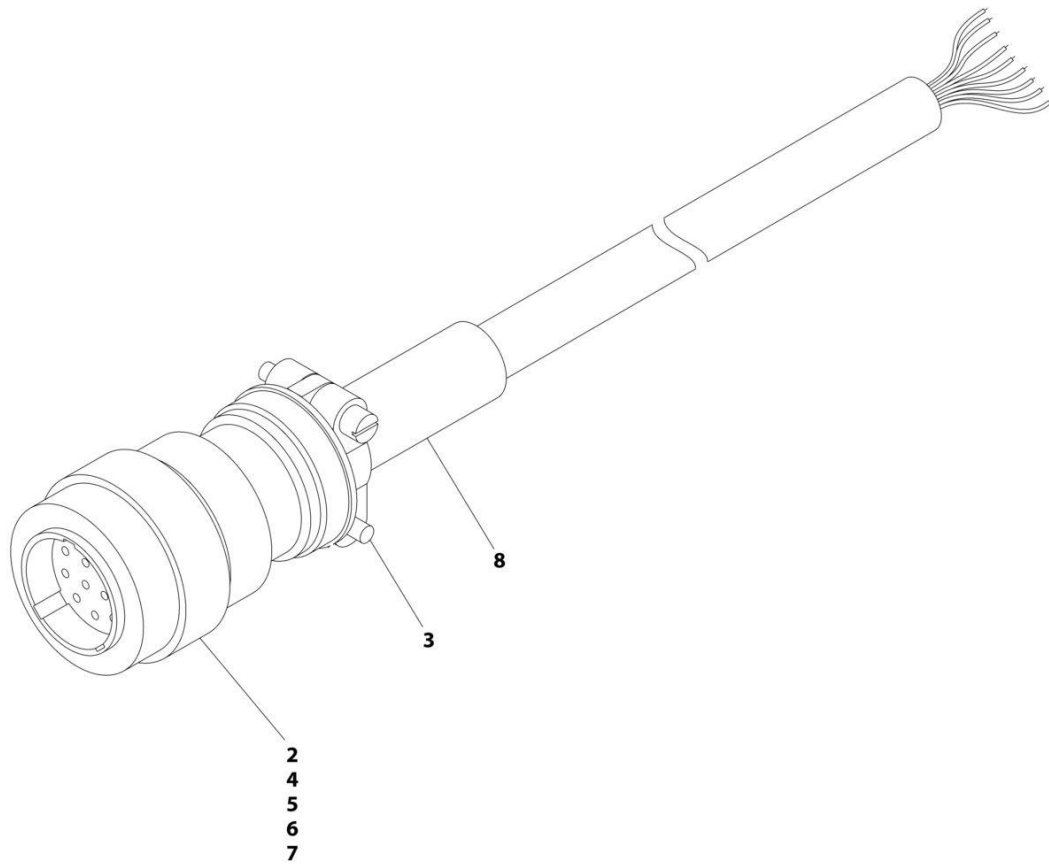
SECTION 8 - ELECTRICAL

FIGURE 8-47. GROUND TO PLATFORM CABLE - MAIN BOOM (WITHOUT ARCTIC PACKAGE)

ITEM	PART NUMBER	QTY	DESCRIPTION	REV
	1001119018	Ref	GROUND TO PLATFORM CABLE - MAIN BOOM (WITHOUT ARCTIC PACKAGE)	C
2	4460865	1	Connector - 19 Position	
3	4460473	1	Clamp, Cable	
4	4460465	22	Socket, Female	
5	4460509	8	Socket, Female	
6	4460466	4	Plug, Terminal	
7	2820118	AR	Heat Shrink	
8	1001226400	1	Heat Shrink	

SECTION 8 - ELECTRICAL

FIGURE 8-48. GROUND TO PLATFORM CABLE - MAIN BOOM (WITH ARCTIC PACKAGE)



ART_1001119953

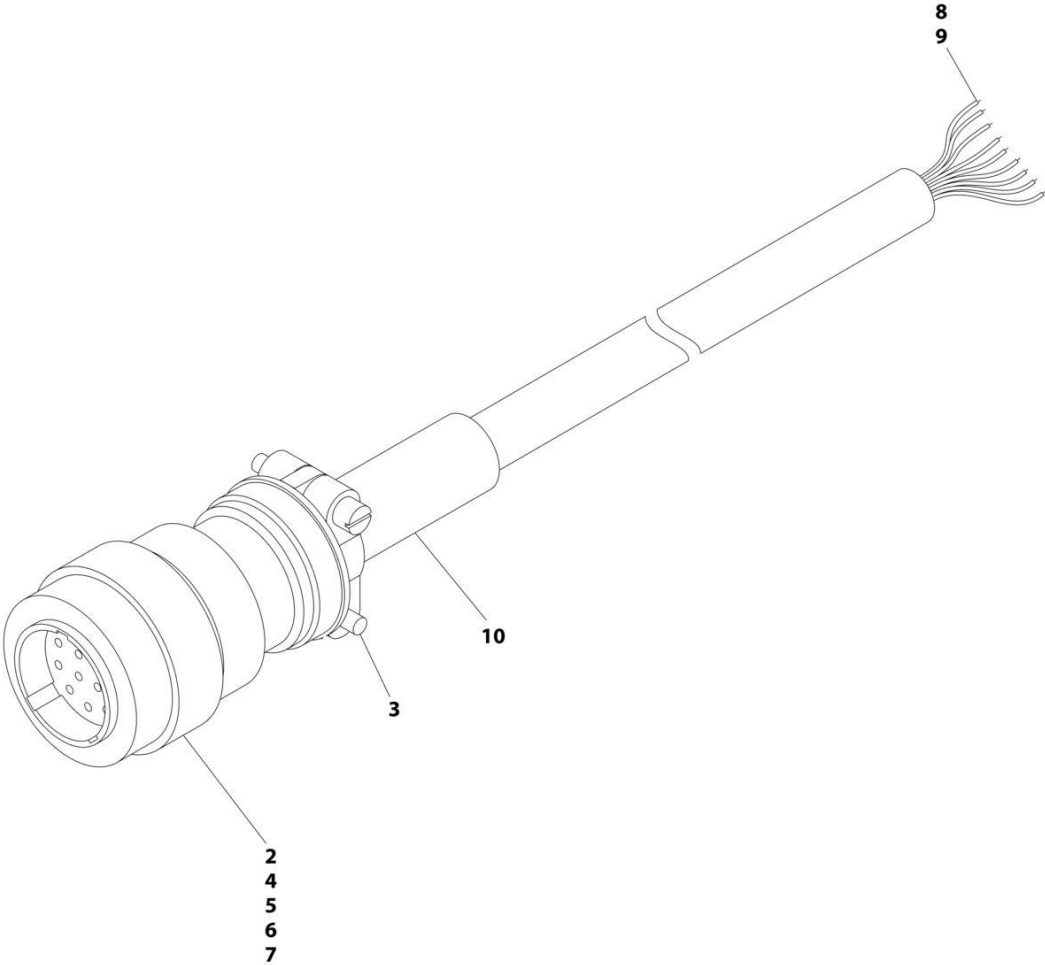
SECTION 8 - ELECTRICAL

FIGURE 8-48. GROUND TO PLATFORM CABLE - MAIN BOOM (WITH ARCTIC PACKAGE)

ITEM	PART NUMBER	QTY	DESCRIPTION	REV
	1001119953	Ref	GROUND TO PLATFORM CABLE - MAIN BOOM (WITH ARCTIC PACKAGE)	D
2	4460865	1	Connector - 19 Position	
3	4460473	1	Clamp, Cable	
4	4460465	22	Socket, Female	
5	4460509	8	Socket, Female	
6	4460466	4	Plug, Terminal	
7	2820118	AR	Heat Shrink	
8	1001226400	1	Heat Shrink	

SECTION 8 - ELECTRICAL

FIGURE 8-49. GROUND TO PLATFORM CABLE - TOWER BOOM (WITHOUT ARCTIC PACKAGE)



ART_100119019

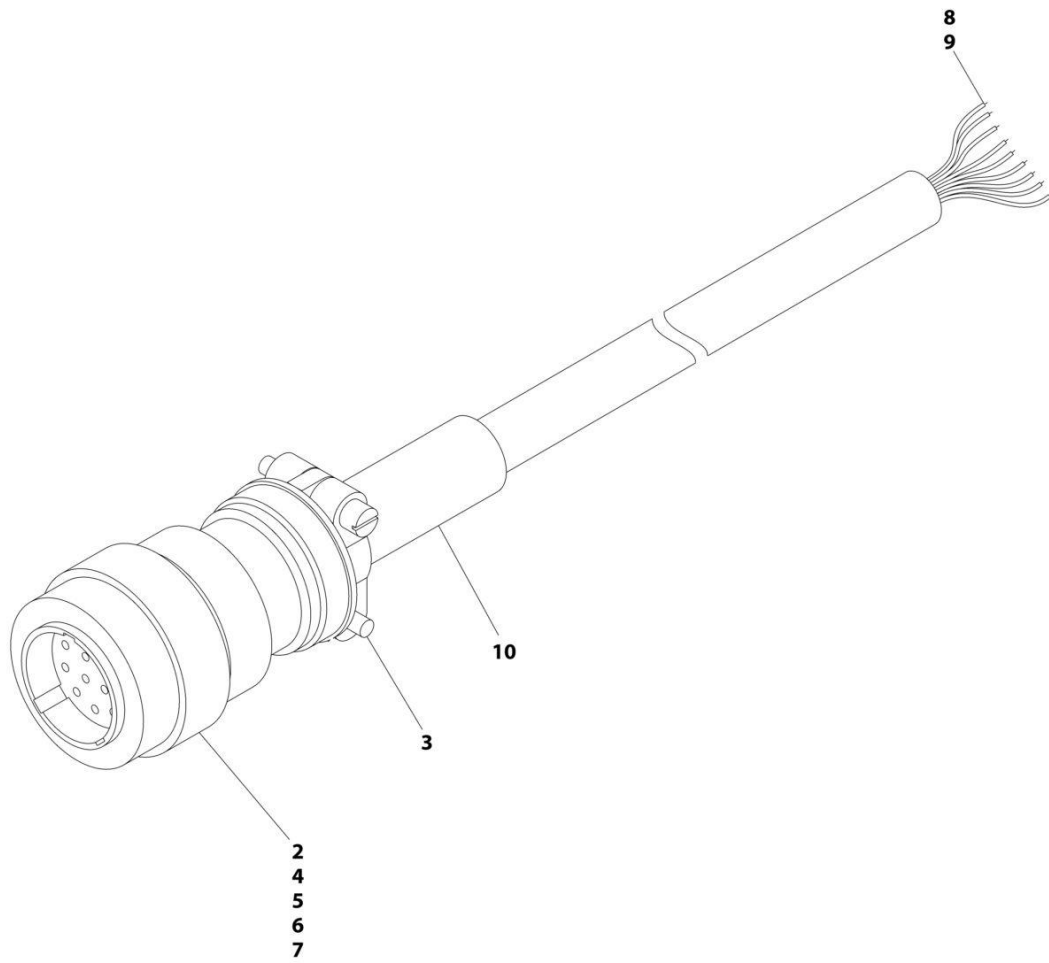
SECTION 8 - ELECTRICAL

FIGURE 8-49. GROUND TO PLATFORM CABLE - TOWER BOOM (WITHOUT ARCTIC PACKAGE)

ITEM	PART NUMBER	QTY	DESCRIPTION	REV
	1001119019	Ref	GROUND TO PLATFORM CABLE - TOWER BOOM (WITHOUT ARCTIC PACKAGE)	B
2	4460865	1	Connector - 19 Position	
3	4460473	1	Clamp, Cable	
4	4460465	11	Socket, Female	
5	4460509	4	Socket, Female	
6	4460466	4	Plug, Terminal	
7	2820118	AR	Heat Shrink	
8	4460464	11	Pin, Male	
9	4460508	4	Pin, Male	
10	1001226400	1	Heat Shrink	

SECTION 8 - ELECTRICAL

FIGURE 8-50. GROUND TO PLATFORM CABLE - TOWER BOOM (WITH ARCTIC PACKAGE)



ART_1001119954

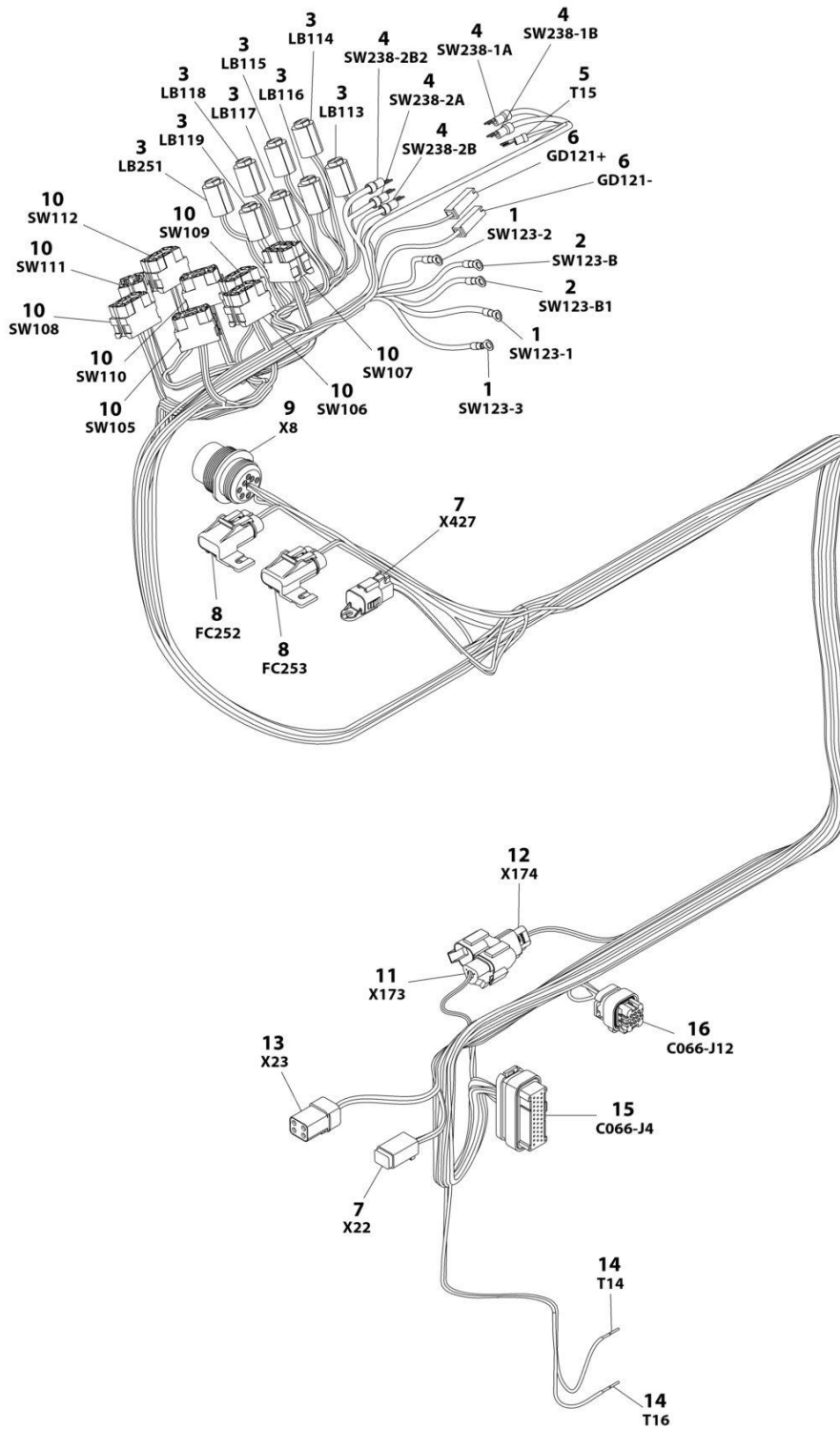
SECTION 8 - ELECTRICAL

FIGURE 8-50. GROUND TO PLATFORM CABLE - TOWER BOOM (WITH ARCTIC PACKAGE)

ITEM	PART NUMBER	QTY	DESCRIPTION	REV
	1001119954	Ref	GROUND TO PLATFORM CABLE - TOWER BOOM (WITH ARCTIC PACKAGE)	C
2	4460865	1	Connector - 19 Position	
3	4460473	1	Clamp, Cable	
4	4460465	11	Socket, Female	
5	4460509	4	Socket, Female	
6	4460466	4	Plug, Terminal	
7	2820118	AR	Heat Shrink	
8	4460464	11	Pin, Male	
9	4460508	4	Pin, Male	
10	1001226400	1	Heat Shrink	

SECTION 8 - ELECTRICAL

FIGURE 8-51. GROUND CONTROL HARNESS (ALL SPECS EXCEPT CE)



ART_1001118218

SECTION 8 - ELECTRICAL

FIGURE 8-51. GROUND CONTROL HARNESS (ALL SPECS EXCEPT CE)

ITEM	PART NUMBER	QTY	DESCRIPTION	REV
	1001118218	Ref	GROUND CONTROL HARNESS (ALL SPECS EXCEPT CE)	E
1	4460313	3	Terminal, Ring	
2	4460142	2	Terminal, Ring	
3	4120035	8	Socket, Light	
3	4460634	8	Terminal - 16Ga	
3	4460635	16	Terminal - 12Ga	
4	4460806	5	Terminal, Fork	
5	4460183	1	Terminal, Fork	
6	4460260	2	Connector - 1 Position	
6	4460259	4	Terminal	
7	4460884	2	Connector - 4 Position	
7	4460465	7	Socket, Female	
7	4460466	1	Plug, Terminal	
8	1001117078	2	Fuse Assembly (Includes Fuse, Holder, Cover)	
8	4460419	4	Terminal	
9	1001112612	1	Connector - 9 Position	
9	4460464	3	Pin, Male	
9	4460943	3	Pin, Male	
9	4460466	3	Plug, Terminal	
10	4460418	8	Connector - 6 Position	
10	4460419	31	Terminal	
11	4460539	1	Connector - 3 Position	
11	4460944	3	Socket, Female	
12	1001116812	1	Plug, Male - 3 Position	
12	4460945	1	Receptacle, 3 Way	
12	4460944	3	Socket, Female	
13	1001116810	1	Connector - 4 Position	
13	4460509	3	Terminal	
13	4460466	1	Plug, Terminal	
14	4460465	2	Socket, Female	
15	4460876	1	Connector - 35 Position	
15	4460871	27	Socket, Female	
15	4460905	8	Seal, Plug	
16	1001113961	1	Connector - 8 Position	
16	4460871	5	Socket, Female	
16	4460905	3	Seal, Plug	

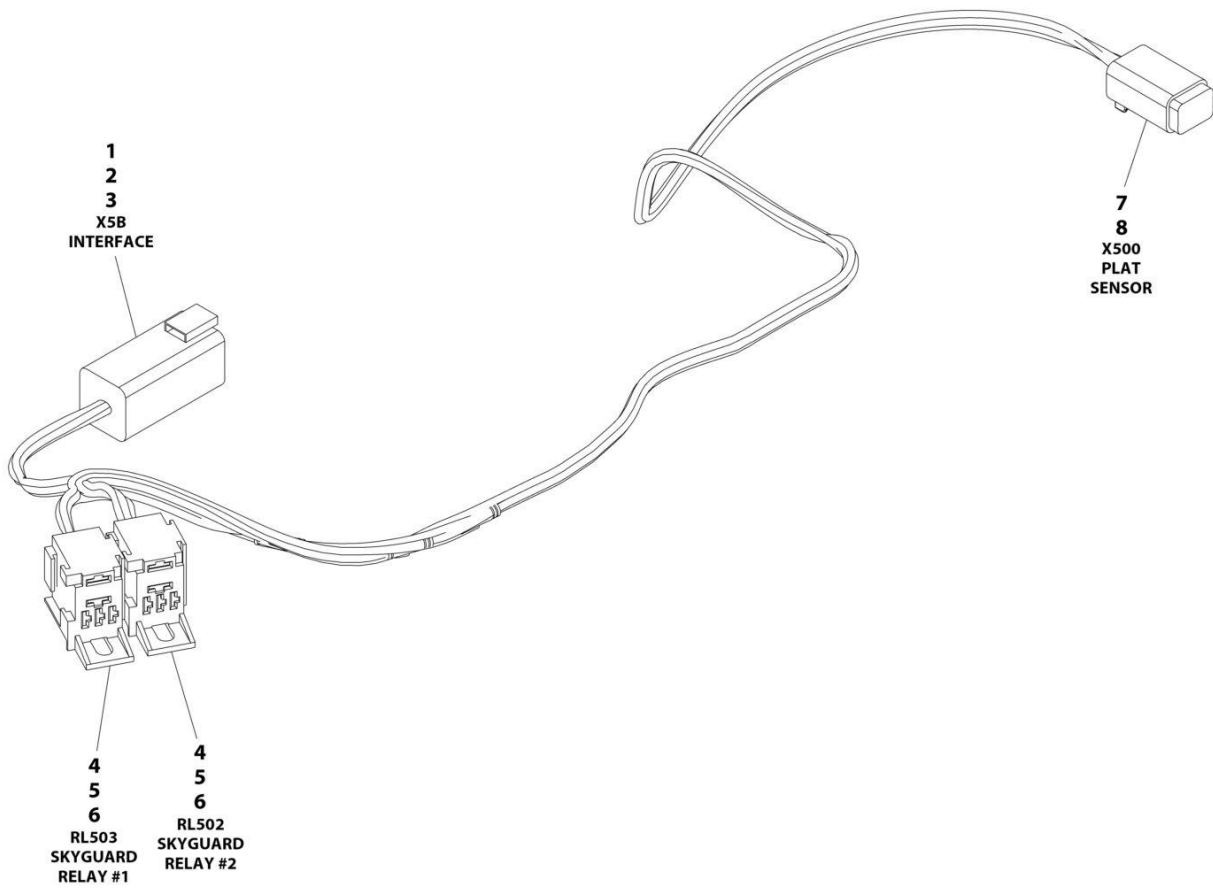
SECTION 8 - ELECTRICAL

FIGURE 8-52. GROUND CONTROL HARNESS (CE SPEC)

ITEM	PART NUMBER	QTY	DESCRIPTION	REV
	1001188094	Ref	GROUND CONTROL HARNESS (CE SPEC)	D
1	4460313	3	Terminal, Ring	
2	4460142	2	Terminal, Ring	
3	4120035	8	Socket, Light	
3	4460634	8	Terminal - 16Ga	
3	4460635	16	Terminal - 12Ga	
4	4460806	5	Terminal, Fork	
5	4460183	1	Terminal, Fork	
6	4460868	1	Connector - 6 Position	
6	4460877	4	Terminal	
7	4460884	2	Connector - 4 Position	
7	4460465	7	Socket, Female	
7	4460466	1	Plug, Terminal	
8	1001117078	2	Fuse Assembly (Includes Fuse, Holder, Cover)	
8	4460419	4	Terminal	
9	1001112612	1	Connector - 9 Position	
9	4460464	3	Pin, Male	
9	4460943	3	Pin, Male	
9	4460466	3	Plug, Terminal	
10	4460418	8	Connector - 6 Position	
10	4460419	31	Socket, Female	
11	4460260	2	Connector - 1 Position	
11	4460259	2	Terminal	
12	4460539	2	Connector - 3 Position	
12	4460944	5	Socket, Female	
12	4460466	1	Seal, Plug	
13	1001116812	1	Plug, Male - 3 Position	
13	4460945	1	Receptacle, 3 Way	
13	4460944	3	Socket, Female	
14	1001116810	1	Connector - 4 Position	
14	4460509	3	Terminal	
14	4460466	1	Plug, Terminal	
15	4460465	2	Socket, Female	
16	4460876	1	Connector - 35 Position	
16	4460871	27	Socket, Female	
16	4460905	8	Seal, Plug	
17	1001113961	1	Connector - 8 Position	
17	4460871	6	Socket, Female	
17	4460905	2	Seal, Plug	
18	4460871	3	Socket, Female	

SECTION 8 - ELECTRICAL

FIGURE 8-53. GENERATOR TO PLATFORM HARNESS - WITH SKYGUARD



ART_1001225580

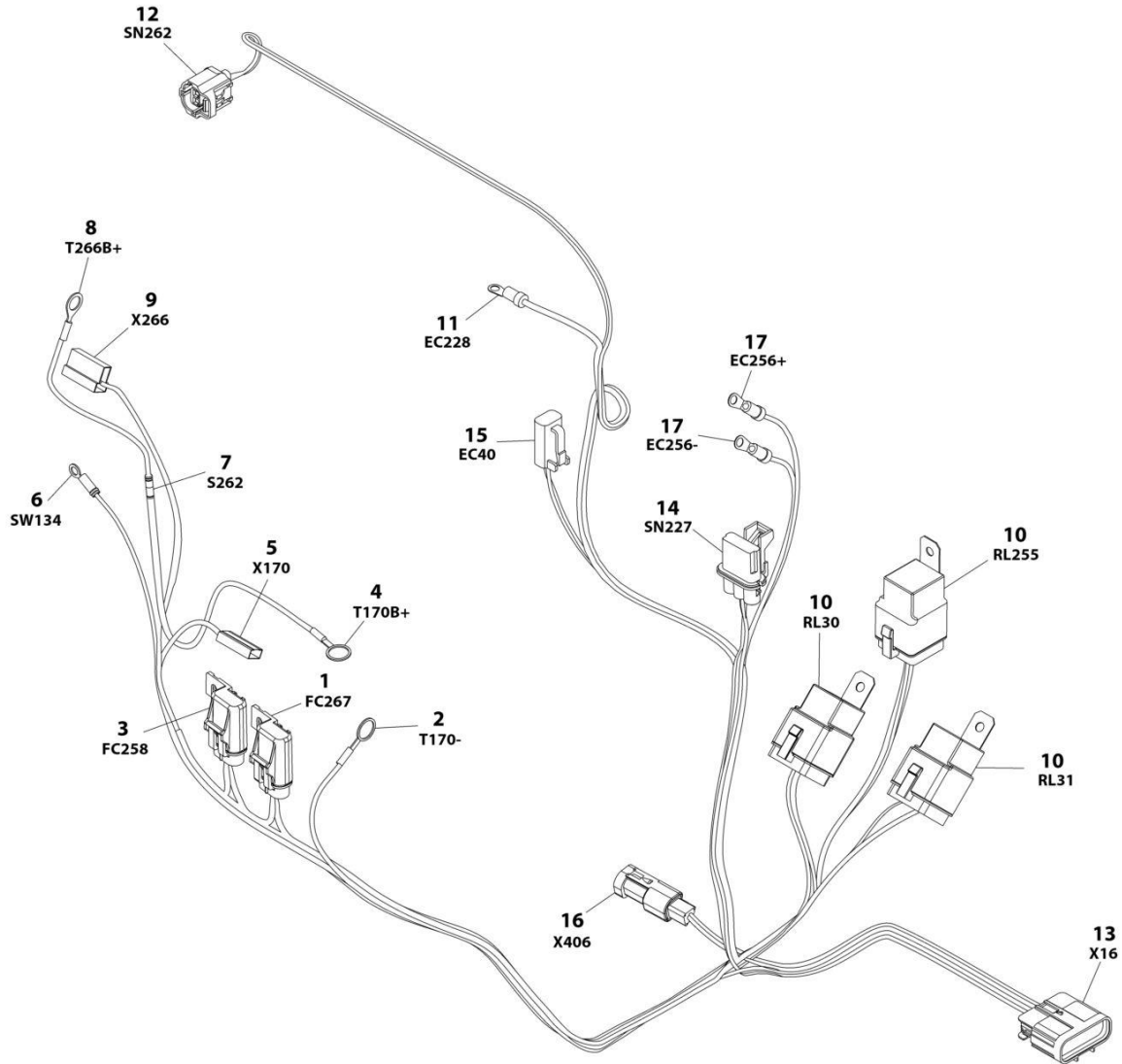
SECTION 8 - ELECTRICAL

FIGURE 8-53. GENERATOR TO PLATFORM HARNESS - WITH SKYGUARD

ITEM	PART NUMBER	QTY	DESCRIPTION	REV
	1001225580	Ref	GENERATOR TO PLATFORM HARNESS - WITH SKYGUARD	C
1	4460899	1	Connector	
2	4460464	4	Terminal	
3	4460466	2	Plug	
4	1001186432	2	Connector	
5	1001116720	4	Terminal	
6	1001118388	4	Terminal	
7	4460844	1	Connector	
8	4460465	4	Terminal	

SECTION 8 - ELECTRICAL

FIGURE 8-54. KUBOTA ENGINE HARNESS



ART_1001118638

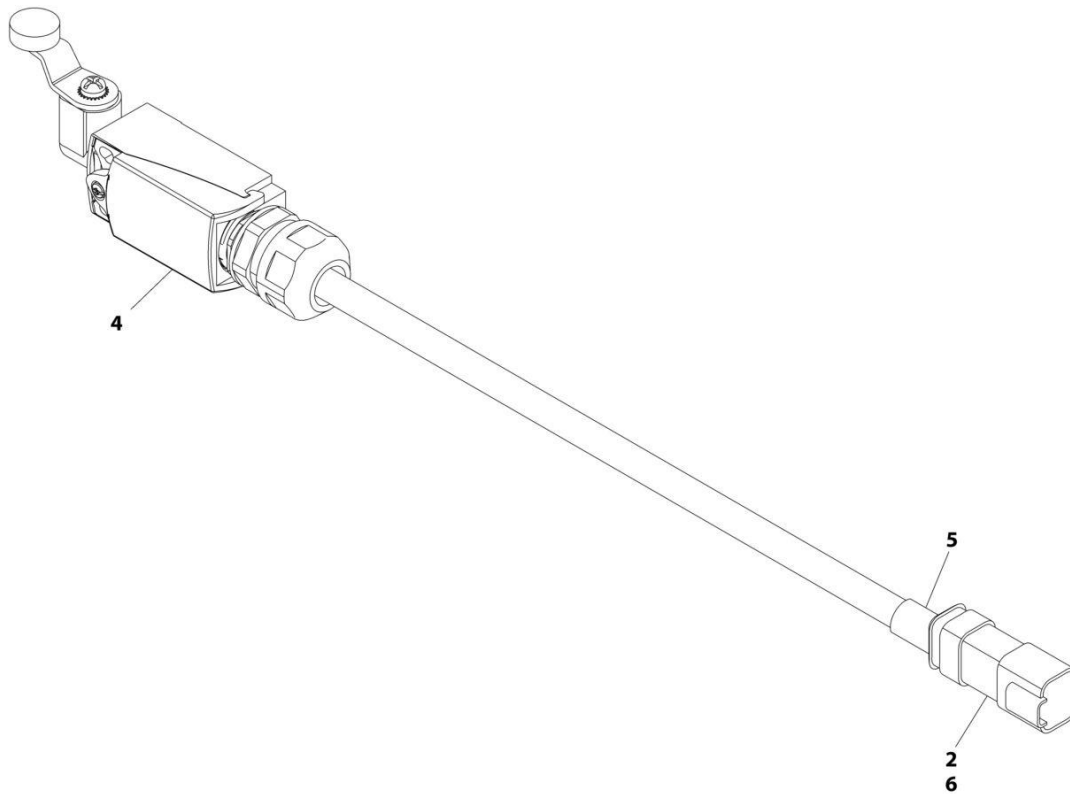
SECTION 8 - ELECTRICAL

FIGURE 8-54. KUBOTA ENGINE HARNESS

ITEM	PART NUMBER	QTY	DESCRIPTION	REV
	1001118638	Ref	KUBOTA ENGINE HARNESS	G
1	1001117070	1	Connector, Fuseholder (Includes Fuse and Cap)	
1	1001116752	2	Terminal, Female	
2	4460256	1	Terminal	
3	1001118938	1	Connector, Fuseholder (Includes Fuse and Cap)	
3	1001116752	2	Terminal, Female	
4	8220164	1	Terminal	
5	1001118743	1	Connector, Receptacle	
5	1001118748	1	Terminal	
6	4460247	1	Terminal, Ring	
7	4460474	1	Terminal	
8	4460043	1	Terminal, Ring	
8	1001121574	1	Lock, Connector	
9	1001118744	1	Receptacle, Female - 2 Position	
9	1001118745	1	Terminal	
10	1001117025	3	Relay and Connector Assembly	
10	1001116734	6	Terminal	
10	1001116732	6	Terminal	
11	4460142	1	Terminal, Ring	
12	1001118657	1	Plug, Male - 2 Position (Green)	
12	1001118658	2	Socket, Female	
13	4461109	1	Plug, Male - 16 Position	
13	1001136232	1	Lock, Connector	
13	4461111	14	Terminal, Male	
13	4461113	14	Seal	
13	4461222	2	Plug	
14	1001117055	1	Plug, Male - 3 Position	
14	4460746	3	Socket, Female	
15	4460891	1	Plug, Male - 2 Position (Gray)	
15	4460465	2	Socket, Female	
16	4461095	1	Plug, Male - 3 Position	
16	4460944	2	Terminal , Gold	
16	4460466	1	Plug, Terminal	
17	4460042	2	Terminal, Ring	

SECTION 8 - ELECTRICAL

FIGURE 8-55. LIMIT SWITCH HARNESS



ART_1001119176

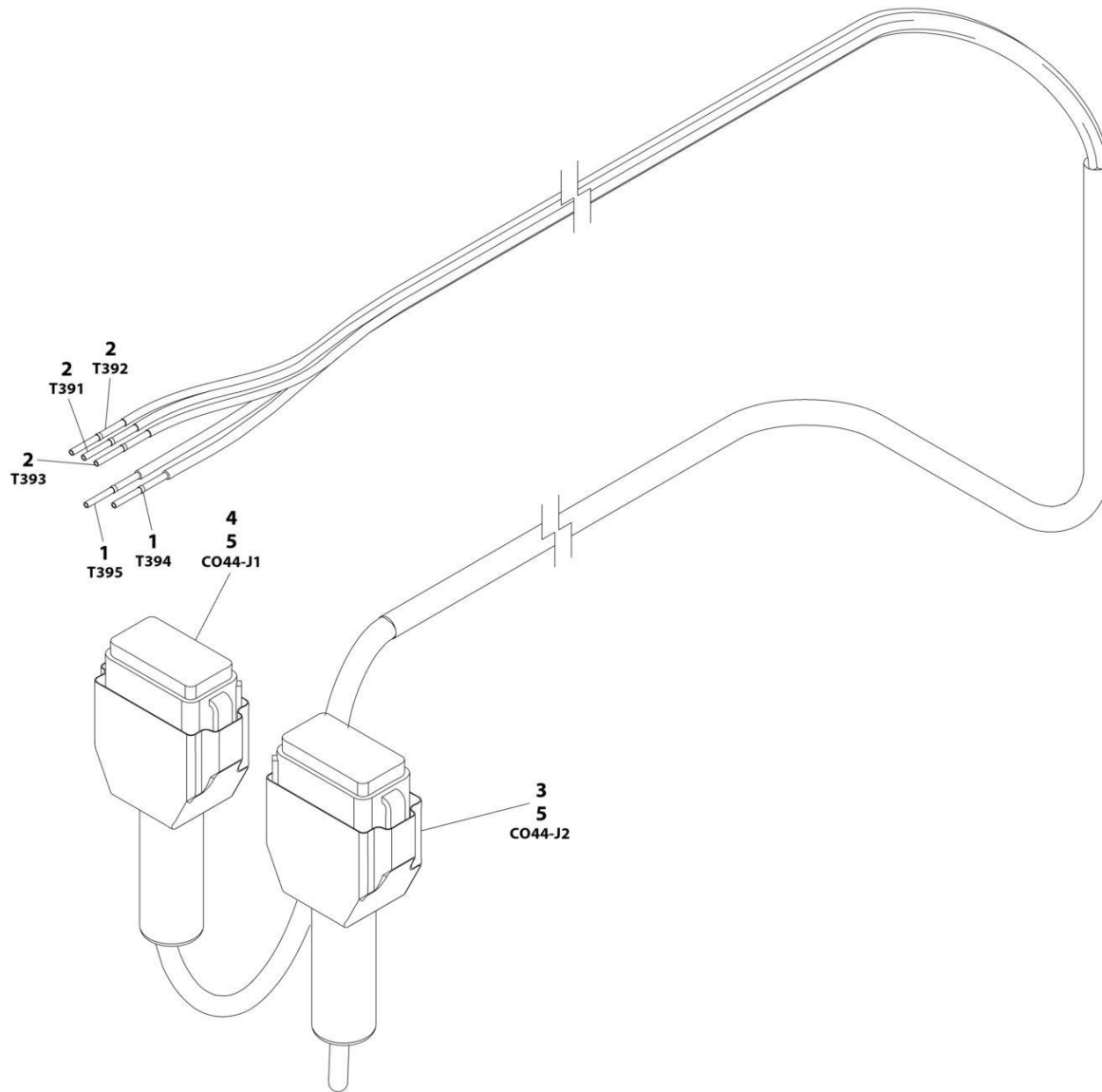
SECTION 8 - ELECTRICAL

FIGURE 8-55. LIMIT SWITCH HARNESS

ITEM	PART NUMBER	QTY	DESCRIPTION	REV
	1001119176	Ref	LIMIT SWITCH HARNESS	E
2	4460464	4	Pin, Male Deutsch 16Ga	
4	1001119170	1	Switch, Limit	
5	2820030	AR	Heat Shrink	
6	1001129407	1	Receptacle, Female - 4 Position	

SECTION 8 - ELECTRICAL

FIGURE 8-56. LSS HARNESS



ART_1001120371

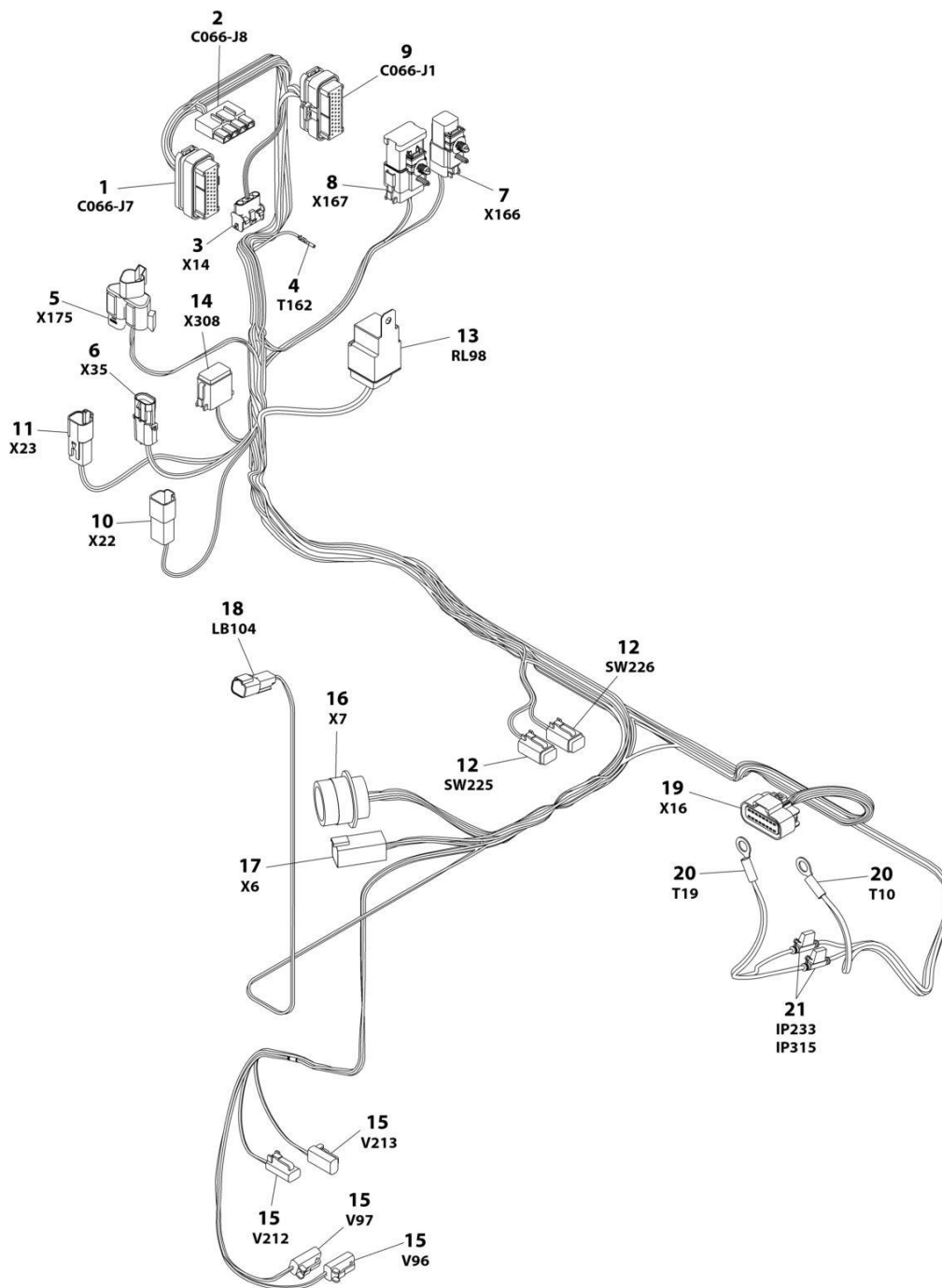
SECTION 8 - ELECTRICAL

FIGURE 8-56. LSS HARNESS

ITEM	PART NUMBER	QTY	DESCRIPTION	REV
	1001120371	Ref	LSS HARNESS	B
1	4460465	2	Socket, Female	
2	4460944	3	Socket, Female	
3	4460836	1	Connector - 12 Position	
3	4460944	3	Socket, Female	
3	4460466	9	Plug, Terminal	
3	0840055	1	Boot	
4	4460933	1	Connector - 12 Position	
4	4460465	2	Socket, Female	
4	4460466	10	Plug, Terminal	
4	0840055	1	Boot	
5	2820030	AR	Heat Shrink	

SECTION 8 - ELECTRICAL

FIGURE 8-57. MID-ENGINE HARNESS



ART_1001118333

SECTION 8 - ELECTRICAL

FIGURE 8-57. MID-ENGINE HARNESS

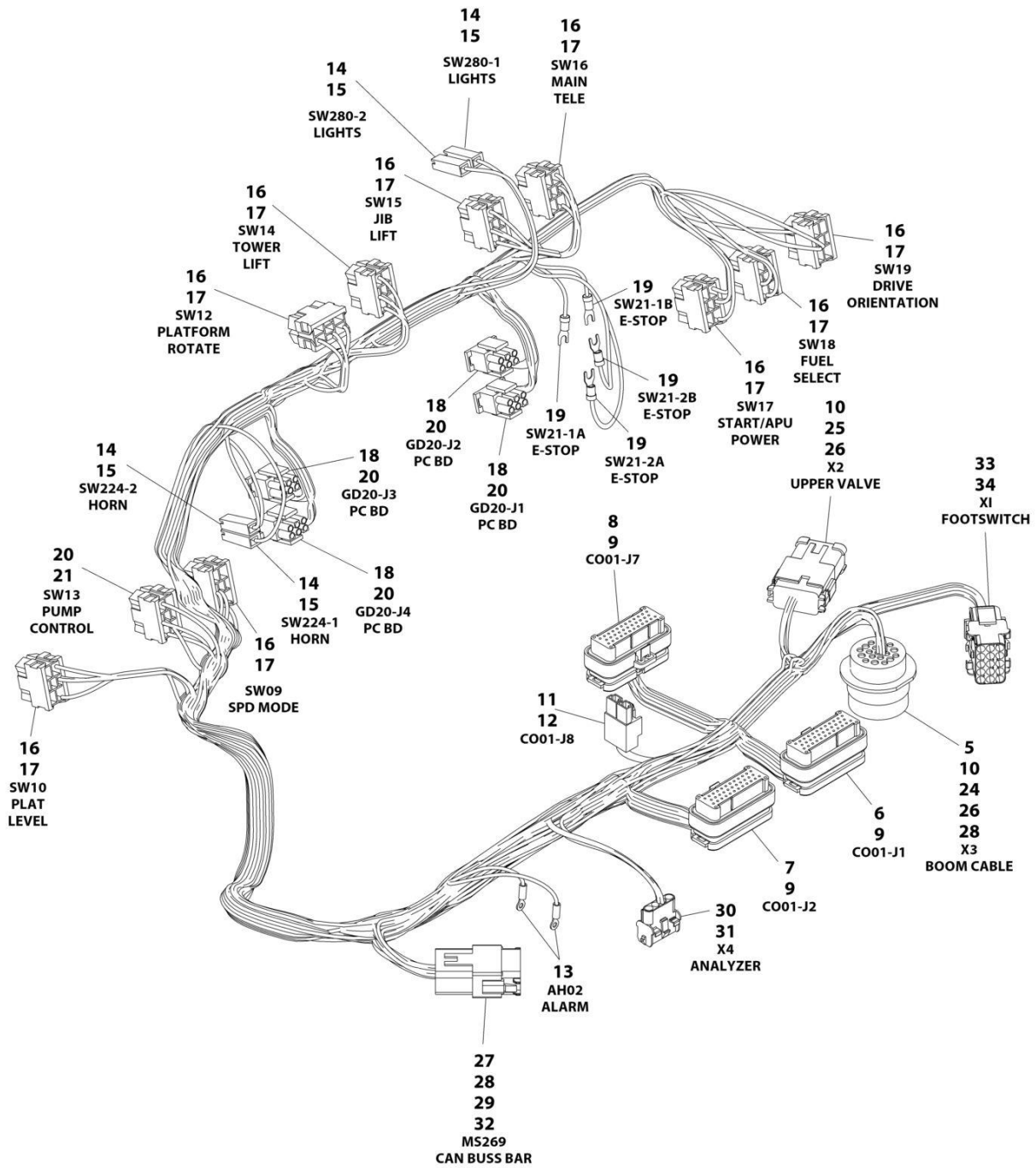
ITEM	PART NUMBER	QTY	DESCRIPTION	REV
	1001118333	Ref	MID-ENGINE HARNESS	G
1	4460873	1	Connector - 35 Position	
1	4460871	19	Socket, Female	
1	4460905	16	Seal, Plug	
2	4460878	1	Connector - 4 Position	
2	4460887	6	Terminal	
3	4460761	1	Connector - 4 Position	
3	4460227	4	Pin, Male	
4	4460871	1	Socket, Female	
5	1001116812	1	Plug, Male - 3 Position	
5	4460944	3	Socket, Female	
6	4461157	1	Receptacle, Female - 2 Position	
6	4460979	1	Pin, Male	
6	1001116727	1	Seal, Plug	
7	4460894	1	Connector - 6 Position	
7	4460465	2	Socket, Female	
7	4460466	3	Plug, Terminal	
7	4460892	1	Buss Bar - 6 Position	
7	1001121172	1	Bracket, Terminal	
8	4460933	1	Connector - 12 Position	
8	4460465	3	Socket, Female	
8	4460466	7	Plug, Terminal	
8	4460837	1	Connector - 12 Position	
8	1001121172	1	Bracket, Terminal	
9	4460874	1	Connector - 35 Position	
9	4460871	21	Socket, Female	
9	4460905	14	Seal, Plug	
10	4460932	1	Receptacle, Female - 4 Position	
10	4460464	3	Pin, Female	
10	4460466	1	Plug, Terminal	
11	1001116811	1	Receptacle, Female - 4 Position	
11	4460508	3	Pin, Male	
11	4460466	1	Plug, Terminal	
12	4460884	2	Plug, Male - 4 Position	
12	4460465	6	Socket, Female	
12	4460466	2	Plug, Terminal	
13	1001117025	1	Relay and Connector Assembly	
13	1001116734	2	Terminal	
13	1001116732	2	Terminal	
14	4460930	1	Plug, Male - 8 Position	
14	4460465	2	Socket, Female	
14	4460466	6	Plug, Terminal	
15	4460891	4	Connector - 2 Position	
15	4460465	8	Socket, Female	
16	4460866	1	Connector - 19 Position	
16	4460943	3	Pin, Male	
16	4460464	6	Pin, Male	
16	4460508	4	Pin, Male	
16	4460466	6	Plug, Terminal	
17	4460899	1	Connector - 6 Position	

SECTION 8 - ELECTRICAL

ITEM	PART NUMBER	QTY	DESCRIPTION	REV
17	4460464	6	Pin, Male	
18	4460897	1	Connector - 2 Position	
18	4460464	2	Pin, Male	
19	4461110	1	Receptacle Female - 16 Position	
19	1001136231	1	Lock, Connector	
19	1001136232	1	Lock, Connector	
19	4461112	15	Terminal, Female	
19	4461113	15	Seal	
19	4461222	1	Plug	
20	8220164	2	Ring, Terminal	
21	2400066	2	Fuse Holder with Leads	

SECTION 8 - ELECTRICAL

FIGURE 8-58. PLATFORM BOX HARNESS ASSEMBLY WITHOUT SKYGUARD



ART_1001118415

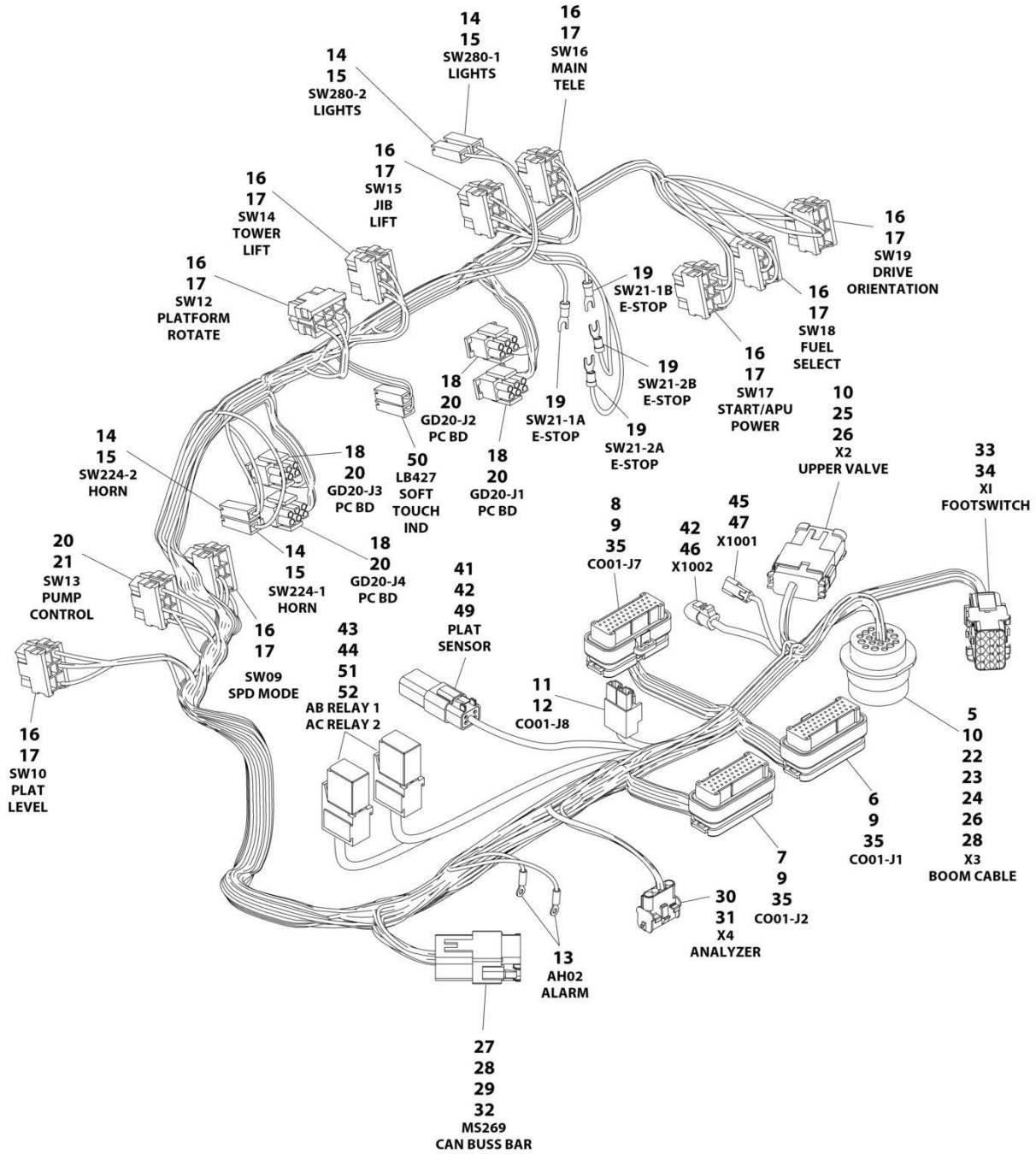
SECTION 8 - ELECTRICAL

FIGURE 8-58. PLATFORM BOX HARNESS ASSEMBLY WITHOUT SKYGUARD

ITEM	PART NUMBER	QTY	DESCRIPTION	REV
	1001118415	Ref	PLATFORM BOX HARNESS ASSEMBLY WITHOUT SKYGUARD	A
5	4460866	1	Connector - 19 Position	
6	4460874	1	Connector - 35 Position (Natural)	
7	4460875	1	Connector - 35 Position (Gray)	
8	4460873	1	Connector - 35 Position (Black)	
9	4460871	63	Socket, Female	
10	4460464	14	Pin, Male	
11	4460879	1	Connector - 2 Position	
12	4460887	2	Terminal	
13	4460213	2	Terminal	
14	4460260	4	Connector - 1 Position	
15	4460259	4	Terminal	
16	4460418	9	Connector - 6 Position	
17	4460419	25	Terminal	
18	4460226	15	Socket, Female	
19	4460888	4	Terminal, Fork	
20	4460225	5	Connector - 6 Position	
21	4460227	5	Pin, Male	
22	2820118	AR	Heat Shrink	
23	2820019	AR	Heat Shrink	
24	4460508	2	Pin, Male	
25	4460970	1	Connector - 12 Position	
26	4460943	6	Pin, Male	
27	4460933	1	Connector - 12 Position	
28	4460466	12	Plug, Terminal	
29	4460944	9	Socket, Female	
30	4460761	1	Connector - 4 Position	
31	4460227	4	Pin, Male	
32	1001119020	1	Connector - 12 Position Bussbar	
33	4460434	1	Connector - 15 Position	
34	4460227	4	Pin, Male	

SECTION 8 - ELECTRICAL

FIGURE 8-59. PLATFORM BOX HARNESS ASSEMBLY WITHOUT LSS OR WITH 4 CELL LSS - WITH SKYGUARD



ART_1001186891

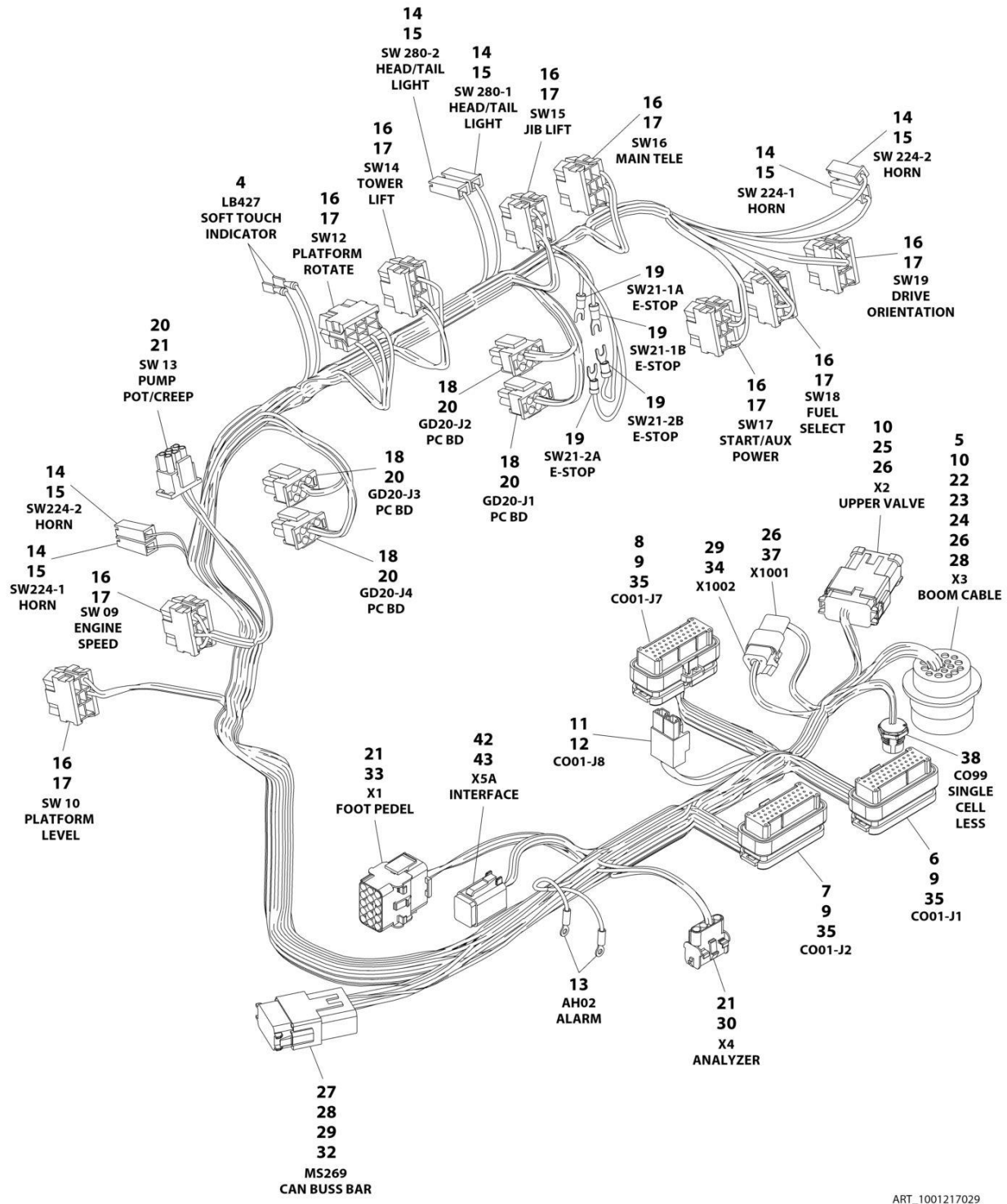
SECTION 8 - ELECTRICAL

FIGURE 8-59. PLATFORM BOX HARNESS ASSEMBLY WITHOUT LSS OR WITH 4 CELL LSS - WITH SKYGUARD

ITEM	PART NUMBER	QTY	DESCRIPTION	REV
	1001186891	Ref	PLATFORM BOX HARNESS ASSEMBLY WITH SKYGUARD	C
5	4460866	1	Connector - 19 Position	
6	4460874	1	Connector - 35 Position (Natural)	
7	4460875	1	Connector - 35 Position (Gray)	
8	4460873	1	Connector - 35 Position (Black)	
9	4460871	66	Socket, Female	
10	4460464	14	Pin, Male	
11	4460879	1	Connector - 2 Position	
12	4460887	2	Terminal	
13	4460213	2	Terminal	
14	4460260	4	Connector - 1 Position	
15	4460259	4	Terminal	
16	4460418	9	Connector - 6 Position	
17	4460419	25	Terminal	
18	4460226	15	Socket, Female	
19	4460888	4	Terminal, Fork	
20	4460225	5	Connector - 6 Position	
21	4460227	5	Pin, Male	
22	2820118	AR	Heat Shrink	
23	2820019	AR	Heat Shrink	
24	4460508	2	Pin, Male	
25	4460970	1	Connector - 12 Position	
26	4460943	6	Pin, Male	
27	4460933	1	Connector - 12 Position	
28	4460466	12	Plug, Terminal	
29	4460944	9	Socket, Female	
30	4460761	1	Connector - 4 Position	
31	4460227	4	Pin, Male	
32	1001119020	1	Connector - 12 Position Bussbar	
33	4460434	1	Connector - 15 Position	
34	4460227	4	Pin, Male	
35	4460905	39	Plug, Terminal	
41	4460884	1	Plug, Male - 4 Position	
42	4460944	6	Socket, Female	
43	1001116720	4	Terminal	
44	1001118388	4	Terminal	
45	4460536	1	Receptacle, Female - 3 Position	
46	4460539	1	Plug, Male - 3 Position	
47	4460943	2	Pin, Male	
49	4460932	1	Receptacle, Female - 4 Position	
50	4460016	2	Terminal	
51	1001186431	2	Relay	
52	1001186432	2	Holder, Relay	

SECTION 8 - ELECTRICAL

FIGURE 8-60. PLATFORM BOX HARNESS ASSEMBLY WITH 1 CELL LSS - WITH SKYGUARD



ART_1001217029

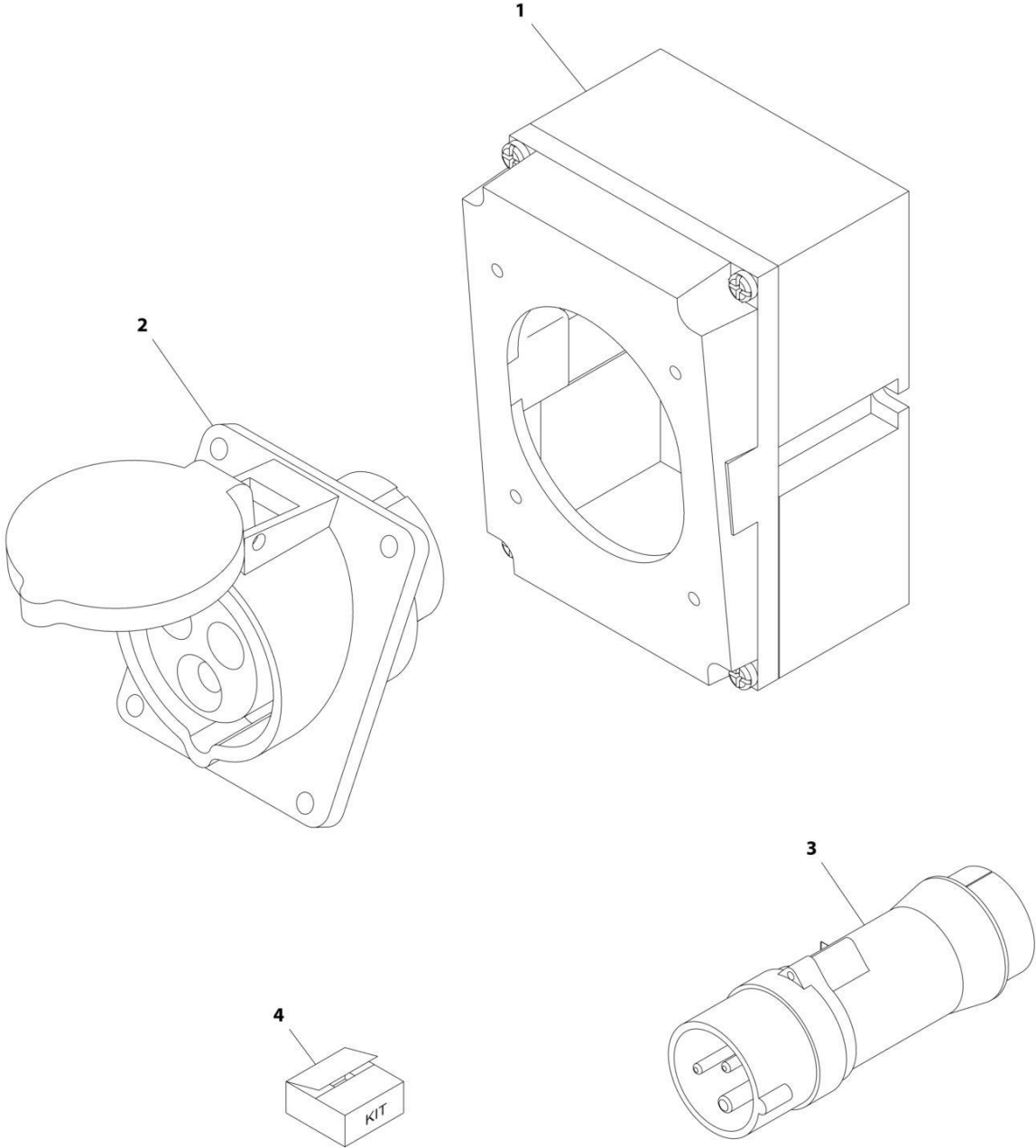
SECTION 8 - ELECTRICAL

FIGURE 8-60. PLATFORM BOX HARNESS ASSEMBLY WITH 1 CELL LSS - WITH SKYGUARD

ITEM	PART NUMBER	QTY	DESCRIPTION	REV
	1001217029	Ref	PLATFORM BOX HARNESS ASSEMBLY WITH 1 CELL LSS - WITH SKYGUARD	D
4	4460016	2	Terminal, Receptacle	
5	4460866	1	Connector - 19 Position	
6	4460874	1	Connector - 35 Position (Natural)	
7	4460875	1	Connector - 35 Position (Gray)	
8	4460873	1	Connector - 35 Position (Black)	
9	4460871	71	Socket, Female	
10	4460464	14	Pin, Male	
11	4460879	1	Connector - 2 Position	
12	4460887	2	Terminal	
13	1001098122	2	Terminal	
14	4460260	6	Connector - 1 Position	
15	4460259	6	Terminal	
16	4460418	9	Connector - 6 Position	
17	4460419	25	Terminal	
18	4460226	15	Socket, Female	
19	4460888	4	Terminal, Fork	
20	4460225	5	Connector - 6 Position	
21	4460227	15	Pin, Male	
22	2820118	AR	Heat Shrink	
23	2820019	AR	Heat Shrink	
24	4460508	2	Pin, Male	
25	4460970	1	Connector - 12 Position	
26	4460943	6	Pin, Male	
27	4460933	1	Connector - 12 Position	
28	4460466	12	Plug, Terminal	
29	4460944	9	Socket, Female	
30	4460761	1	Connector - 4 Position	
32	1001119020	1	Connector - 12 Position Bussbar	
33	4460434	1	Connector - 15 Position	
34	4460539	1	Plug, Male - 3 Position	
35	4460905	34	Plug, Terminal	
37	4460536	1	Receptacle, Female - 3 Position	
38	1001213447	1	Receptacle, Female - 5 Position	
42	4460894	1	Receptacle, Female - 6 Position	
43	4460465	6	Socket - Female	

SECTION 8 - ELECTRICAL

FIGURE 8-61. RECEPTACLE BOX KIT - 110V IEC YELLOW (CE SPEC)



ART_0275216

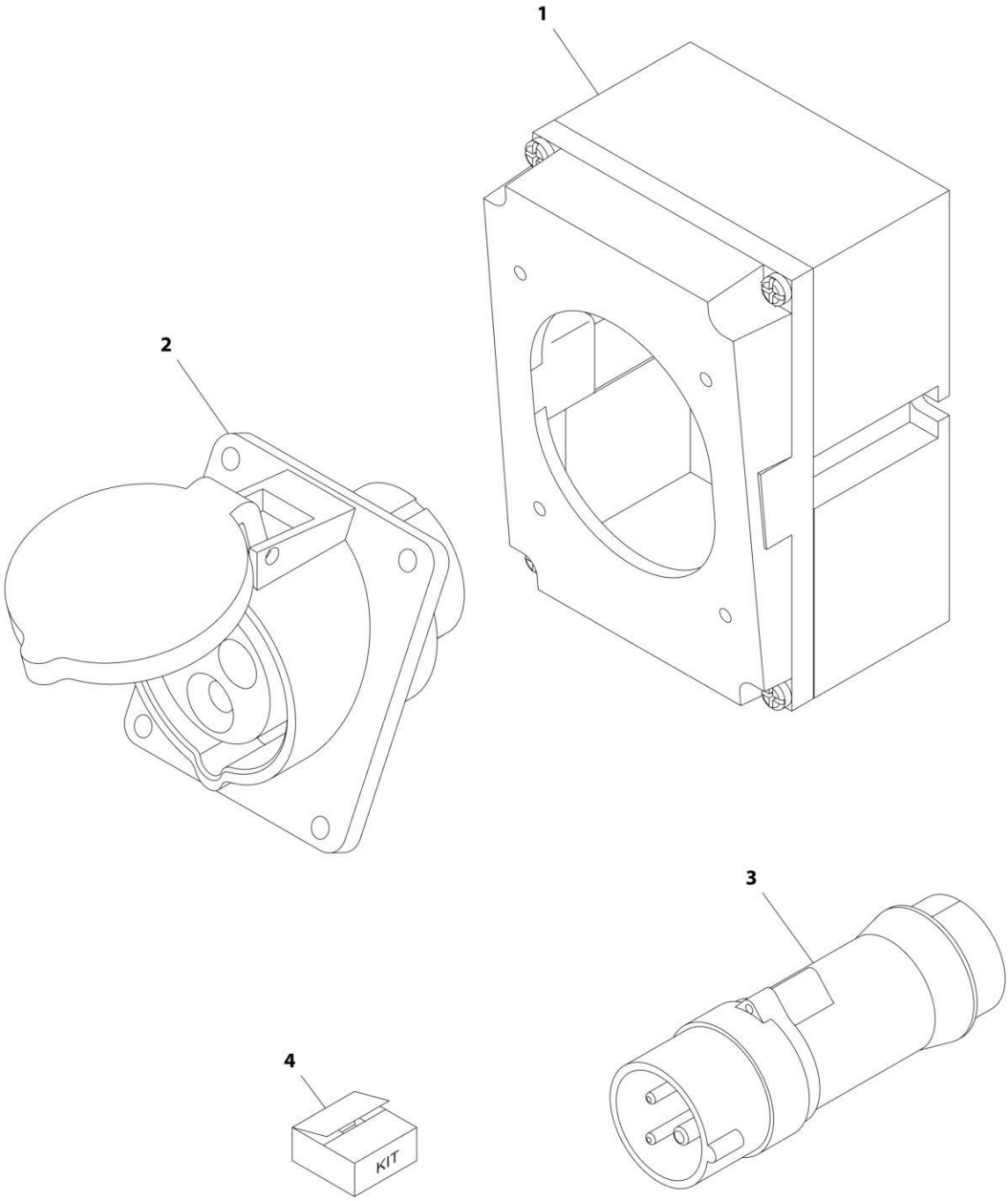
SECTION 8 - ELECTRICAL

FIGURE 8-61. RECEPTACLE BOX KIT - 110V IEC YELLOW (CE SPEC)

ITEM	PART NUMBER	QTY	DESCRIPTION	REV
	0275216	Ref	RECEPTACLE BOX KIT - 110V IEC YELLOW (CE SPEC)	1
1	0861781	1	Box, Switch	
2	4461198	1	Receptacle	
3	4461196	1	Plug, Male	
4	1001100341	1	Plug and Socket Kit (Includes Items 1-3 and Female Plug p/n 4461197)	

SECTION 8 - ELECTRICAL

FIGURE 8-62. RECEPTACLE BOX KIT - 220V IEC BLUE (CE SPEC)



ART_0275217

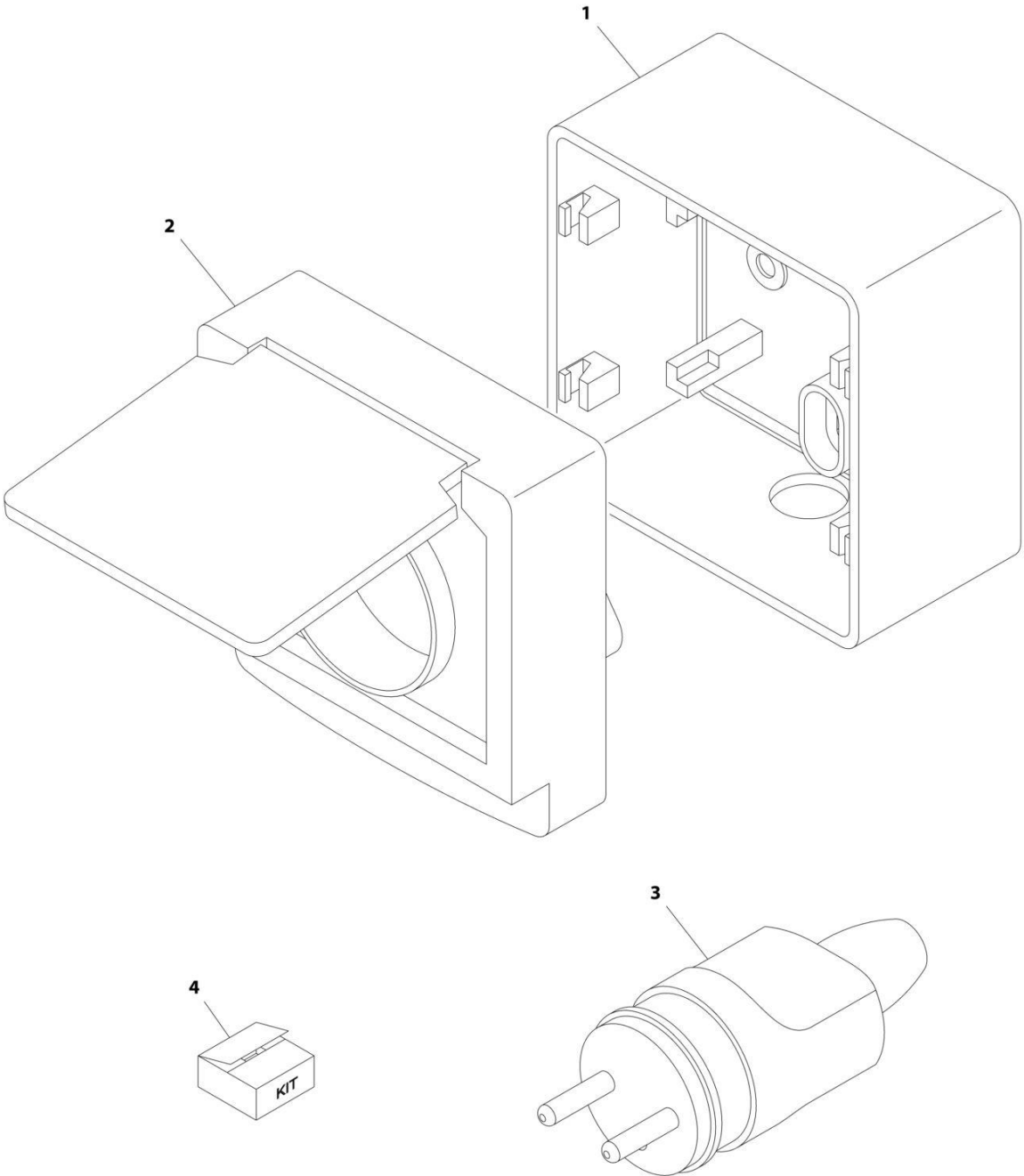
SECTION 8 - ELECTRICAL

FIGURE 8-62. RECEPTACLE BOX KIT - 220V IEC BLUE (CE SPEC)

ITEM	PART NUMBER	QTY	DESCRIPTION	REV
	0275217	Ref	RECEPTACLE BOX KIT - 220V IEC BLUE (CE SPEC)	1
1	0861781	1	Box, Switch	
2	4461201	1	Receptacle	
3	4461199	1	Plug, Male	
4	1001100342	1	Plug and Socket Kit (Includes Items 1-3 and Female Plug p/n 4461200)	

SECTION 8 - ELECTRICAL

FIGURE 8-63. RECEPTACLE BOX KIT - 220V CEE7 POST GROUND 70MM X 70MM BOX (CE SPEC)



ART_0275218

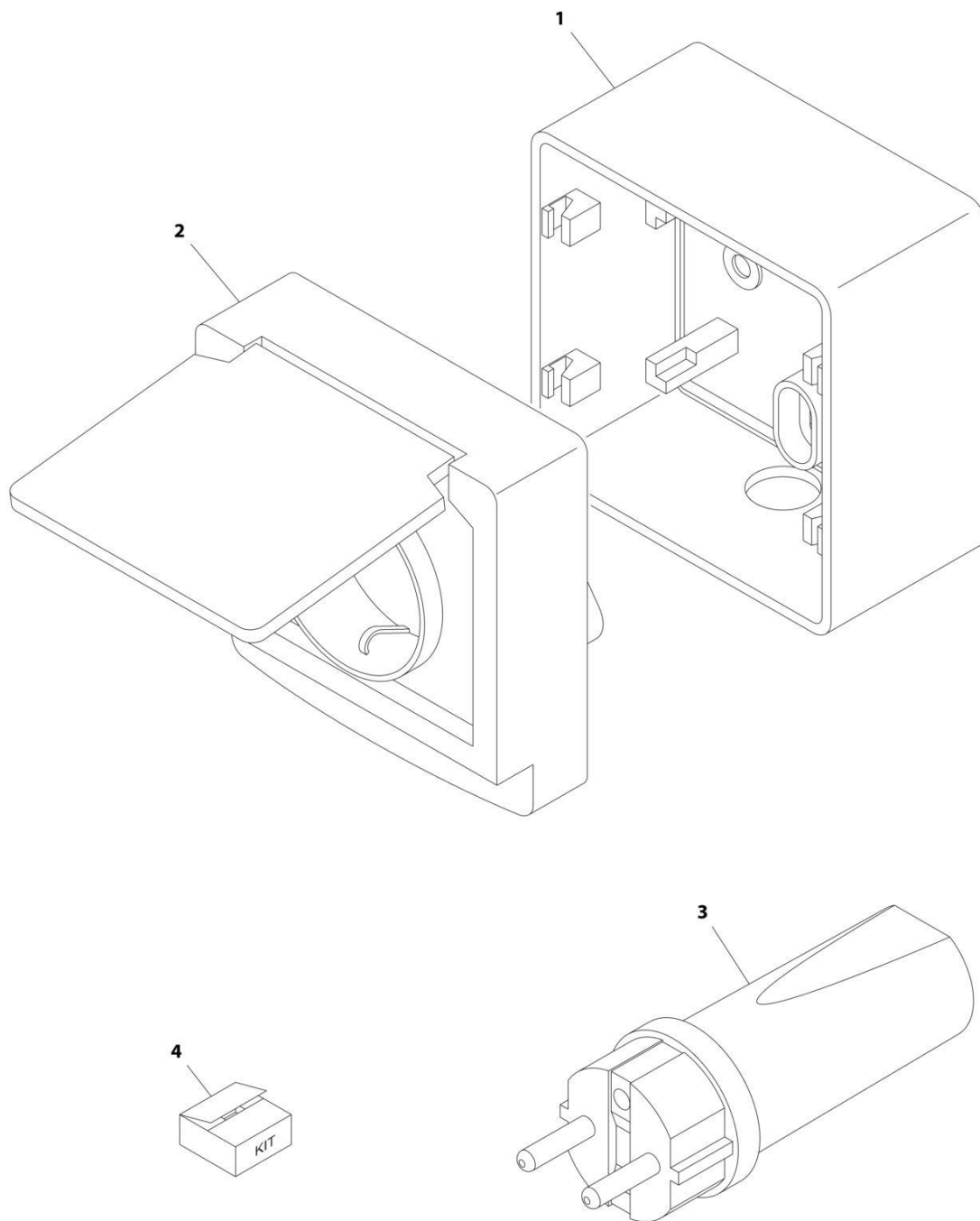
SECTION 8 - ELECTRICAL

FIGURE 8-63. RECEPTACLE BOX KIT - 220V CEE7 POST GROUND 70MM X 70MM BOX (CE SPEC)

ITEM	PART NUMBER	QTY	DESCRIPTION	REV
	0275218	Ref	RECEPTACLE BOX KIT - 220V CEE7 POST GROUND 70MM X 70MM BOX (CE SPEC)	C
1	1001141967	1	Box, Switch	
2	1001141968	1	Receptacle	
3	4461202	NLA	Plug, Male (Use p/n 4461205) (SN 0300200802 through 0300218349)	
3	4461205	1	Plug, Male (SN 0300218350 to Present)	
4	1001141971	1	Plug and Socket Kit (Includes Items 1-3 and Female Plug p/n 4461206)	

SECTION 8 - ELECTRICAL

FIGURE 8-64. RECEPTACLE BOX KIT - 220V CEE7 SIDE GROUND 70MM X 70MM BOX (CE SPEC)



ART_0275219

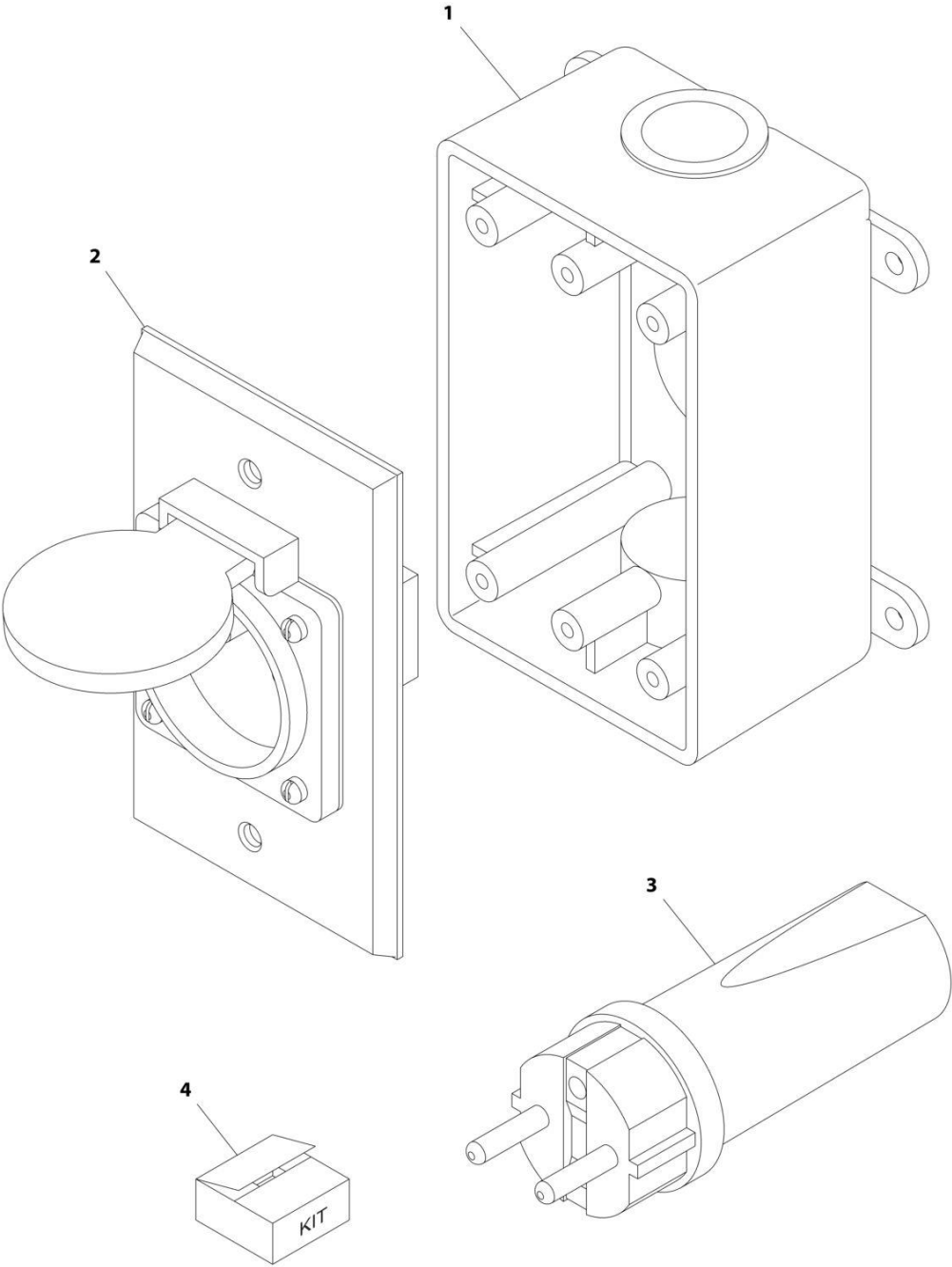
SECTION 8 - ELECTRICAL

FIGURE 8-64. RECEPTACLE BOX KIT - 220V CEE7 SIDE GROUND 70MM X 70MM BOX (CE SPEC)

ITEM	PART NUMBER	QTY	DESCRIPTION	REV
	0275219	Ref	RECEPTACLE BOX KIT - 220V CEE7 SIDE GROUND 70MM X 70MM BOX (CE SPEC)	B
1	1001141967	1	Box, Switch	
2	1001141969	1	Receptacle	
3	4461205	1	Plug, Male	
4	1001141970	1	Plug and Socket Kit (Includes Items 1-3 and Female Plug p/n 4461206)	

SECTION 8 - ELECTRICAL

FIGURE 8-65. RECEPTACLE BOX KIT - 220V CEE7 POST GROUND 2IN X 4IN BOX (CE SPEC)



ART_0275452

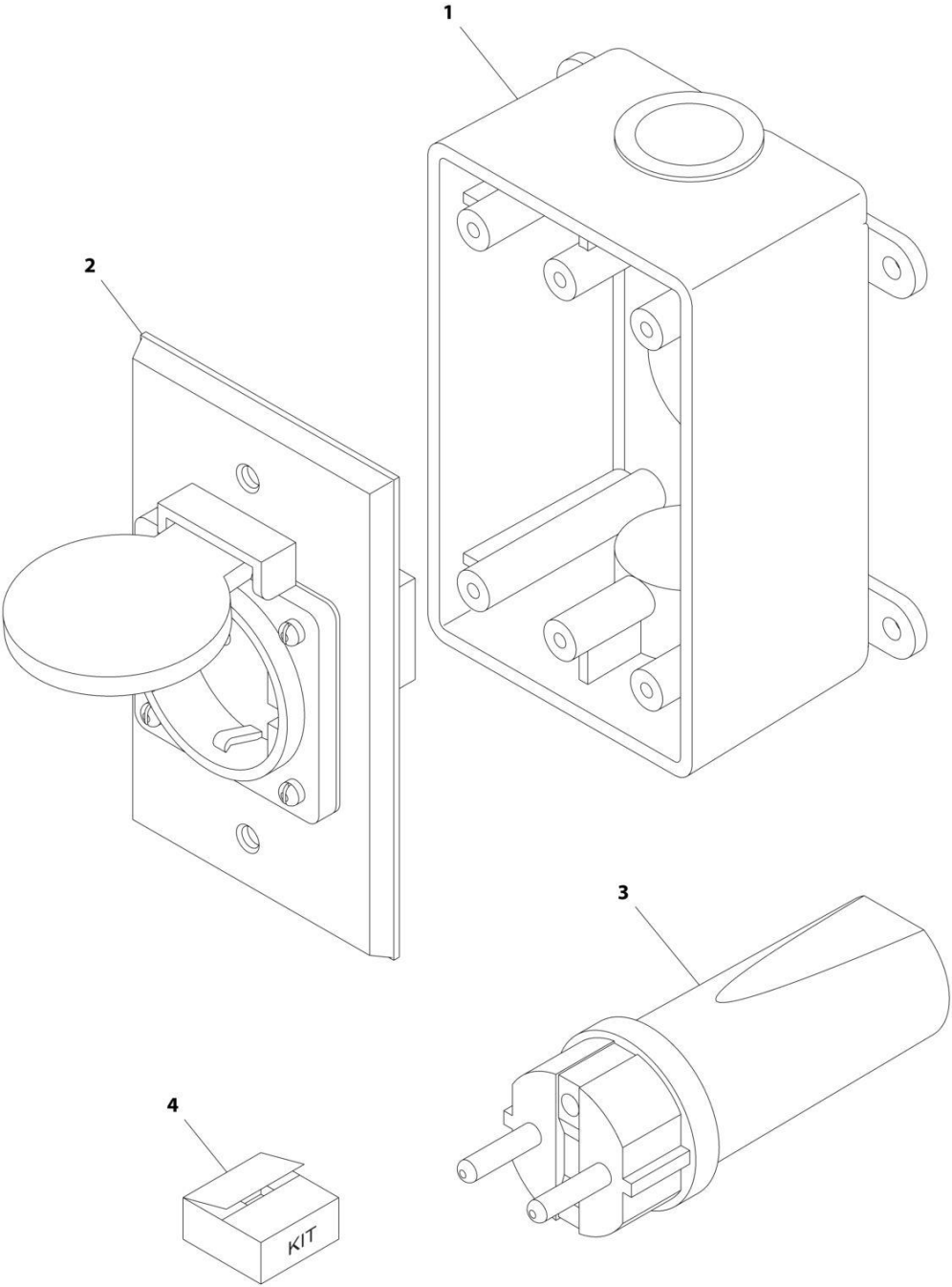
SECTION 8 - ELECTRICAL

FIGURE 8-65. RECEPTACLE BOX KIT - 220V CEE7 POST GROUND 2IN X 4IN BOX (CE SPEC)

ITEM	PART NUMBER	QTY	DESCRIPTION	REV
	0275452	Ref	RECEPTACLE BOX KIT - 220V CEE7 POST GROUND 2IN X 4IN BOX (CE SPEC)	C
1	0861731	1	Box, Switch	
2	4461244	1	Receptacle	
3	4461202	NLA	Plug, Male (Use p/n 4461205) (SN 0300200802 through 0300218349)	
3	4461205	1	Plug, Male (SN 0300218350 to Present)	
4	1001100345	1	Plug and Socket Kit (Includes Items 1-3 and Female Plug p/n 4461206)	

SECTION 8 - ELECTRICAL

FIGURE 8-66. RECEPTACLE BOX KIT - 220V CEE7 SIDE GROUND 2IN X 4IN BOX (CE SPEC)



ART_0275453

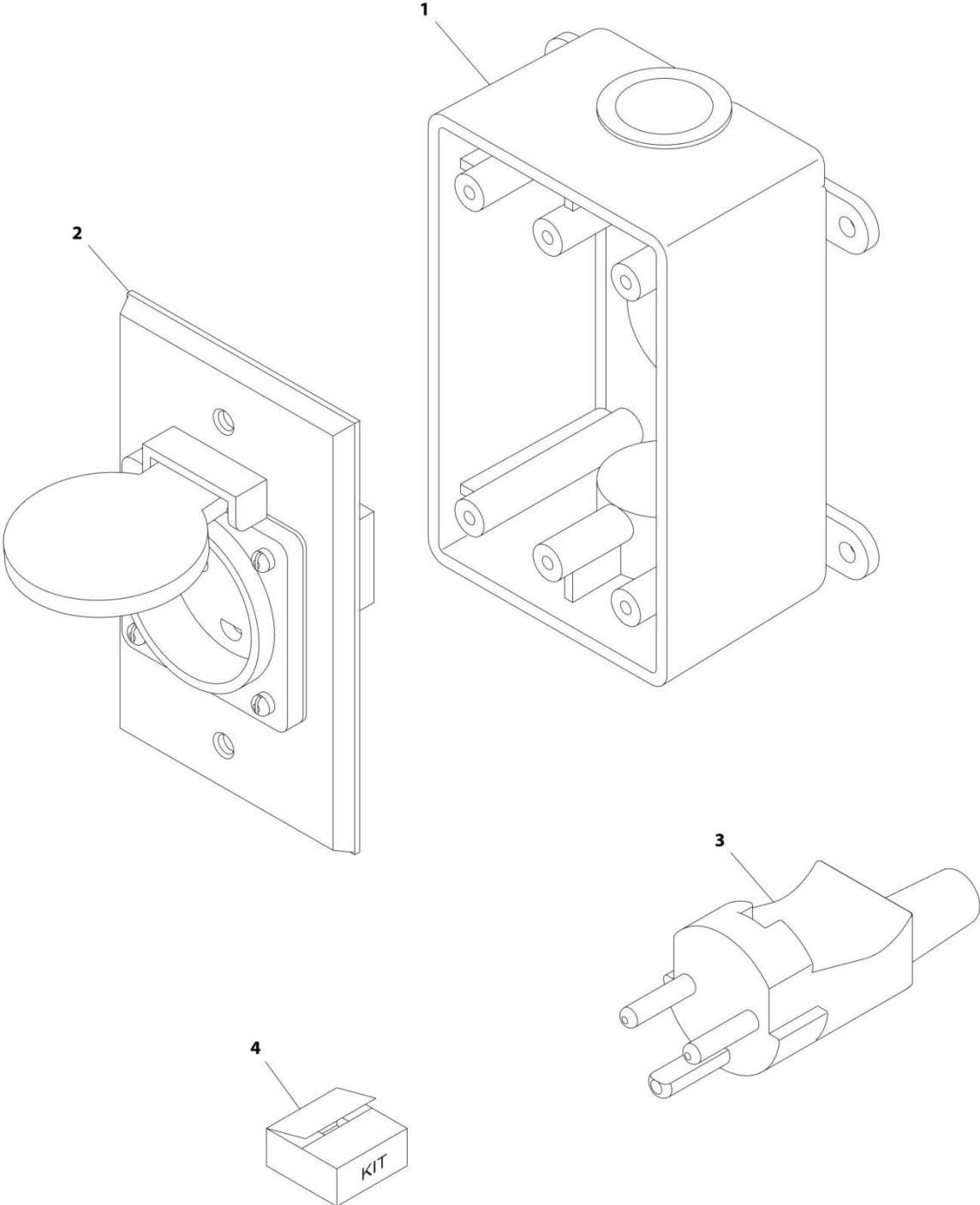
SECTION 8 - ELECTRICAL

FIGURE 8-66. RECEPTACLE BOX KIT - 220V CEE7 SIDE GROUND 2IN X 4IN BOX (CE SPEC)

ITEM	PART NUMBER	QTY	DESCRIPTION	REV
	0275453	Ref	RECEPTACLE BOX KIT - 220V CEE7 SIDE GROUND 2IN X 4IN BOX (CE SPEC)	1
1	0861731	1	Box, Switch	
2	4461245	1	Receptacle	
3	4461205	1	Plug, Male	
4	1001100347	1	Plug and Socket Kit (Includes Items 1-3 and Female Plug p/n 4461206)	

SECTION 8 - ELECTRICAL

FIGURE 8-67. RECEPTACLE BOX KIT - 220V AFSINT 107 (CE SPEC)



ART_0275454

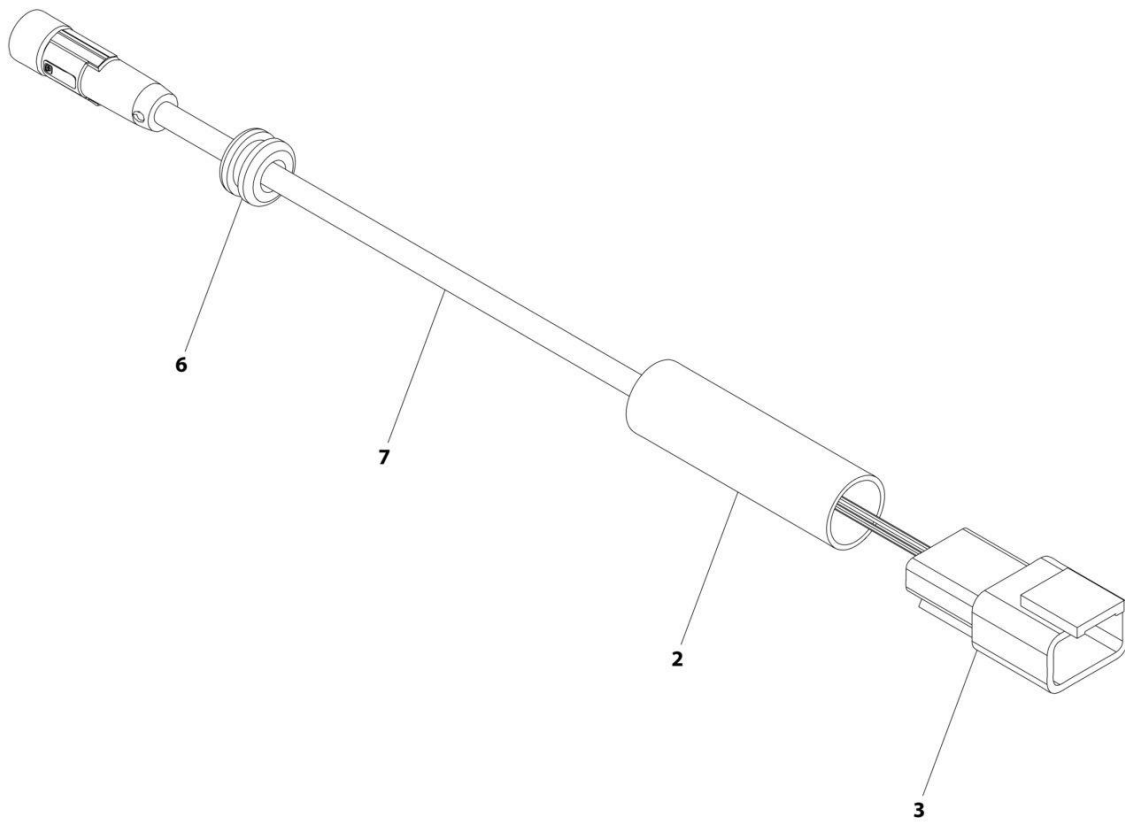
SECTION 8 - ELECTRICAL

FIGURE 8-67. RECEPTACLE BOX KIT - 220V AFSINT 107 (CE SPEC)

ITEM	PART NUMBER	QTY	DESCRIPTION	REV
	0275454	Ref	RECEPTACLE BOX KIT - 220V AFSINT 107 (CE SPEC)	1
1	0861731	1	Box, Switch	
2	4461246	1	Receptacle	
3	4461249	1	Plug, Male	
4	1001100346	1	Plug and Socket Kit (Includes Items 1-3 and Female Plug p/n 4461250)	

SECTION 8 - ELECTRICAL

FIGURE 8-68. SKYEYE EMITTER HARNESS



ART_1001237864

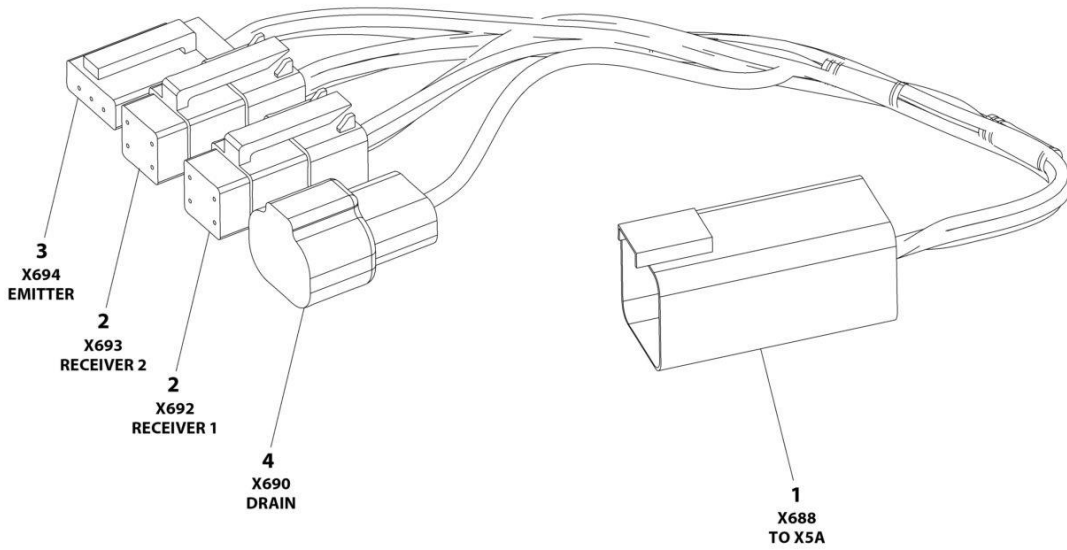
SECTION 8 - ELECTRICAL

FIGURE 8-68. SKYEYE EMITTER HARNESS

ITEM	PART NUMBER	QTY	DESCRIPTION	REV
	1001237864	Ref	SKYEYE EMITTER HARNESS	A
2	2820247	AR	Tubing, Heat Shrink	
3	4460910	1	Connector - 3 Position	
3	1001119620	3	Pin, Male	
6	1001227996	1	Grommet	
7	1001237862	1	Cable, M8 Female Cordset	

SECTION 8 - ELECTRICAL

FIGURE 8-69. SKYEYE INTERMEDIATE HARNESS



ART_1001237865

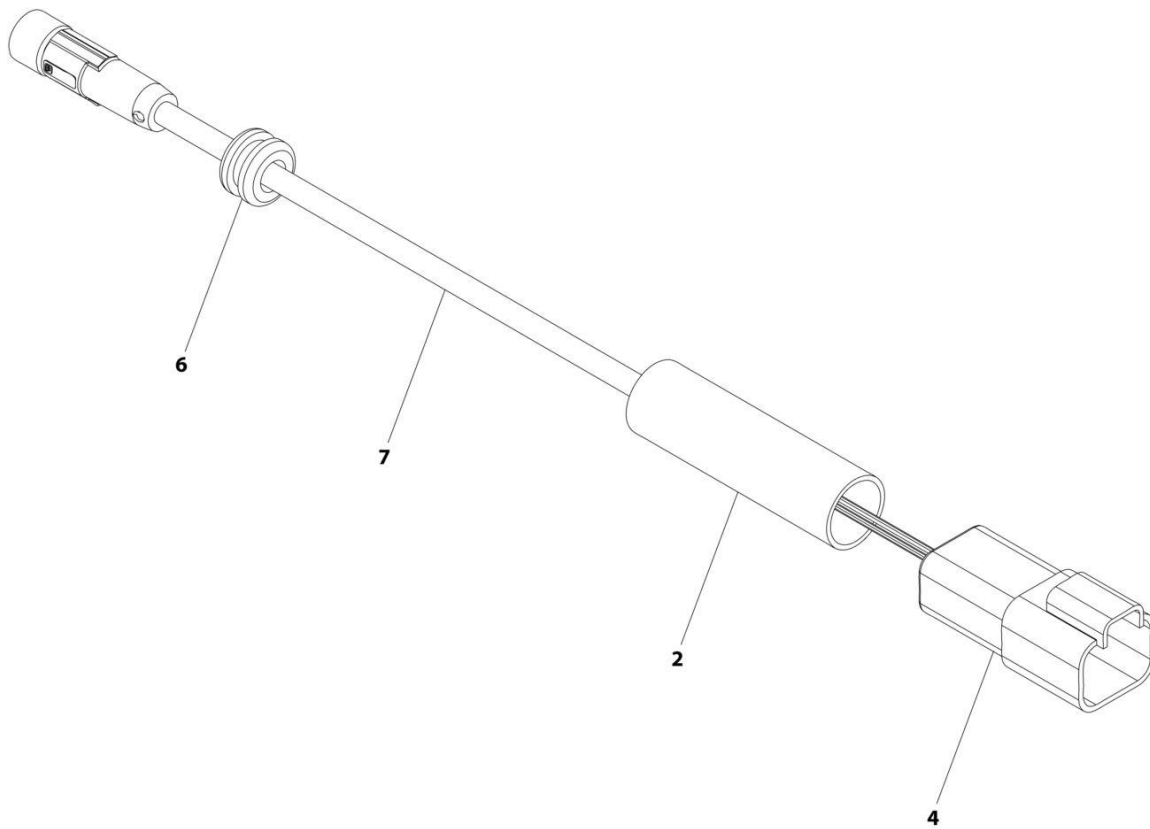
SECTION 8 - ELECTRICAL

FIGURE 8-69. SKYEYE INTERMEDIATE HARNESS

ITEM	PART NUMBER	QTY	DESCRIPTION	REV
	1001237865	Ref	SKYEYE INTERMEDIATE HARNESS	A
1	4460899	1	Connector - 6 Position	
1	4460943	4	Pin, Male	
1	4460466	2	Plug, Terminal	
2	4461077	2	Connector - 4 Position	
2	1001119619	8	Socket, Female	
3	4460911	1	Connector - 3 Position	
3	1001119619	3	Socket, Female	
4	1001187681	1	Connector - 2 Position	
4	4460941	1	Pin, Male	
4	4460466	1	Plug, Terminal	

SECTION 8 - ELECTRICAL

FIGURE 8-70. SKYEYE RECEIVER HARNESS



ART_1001237863

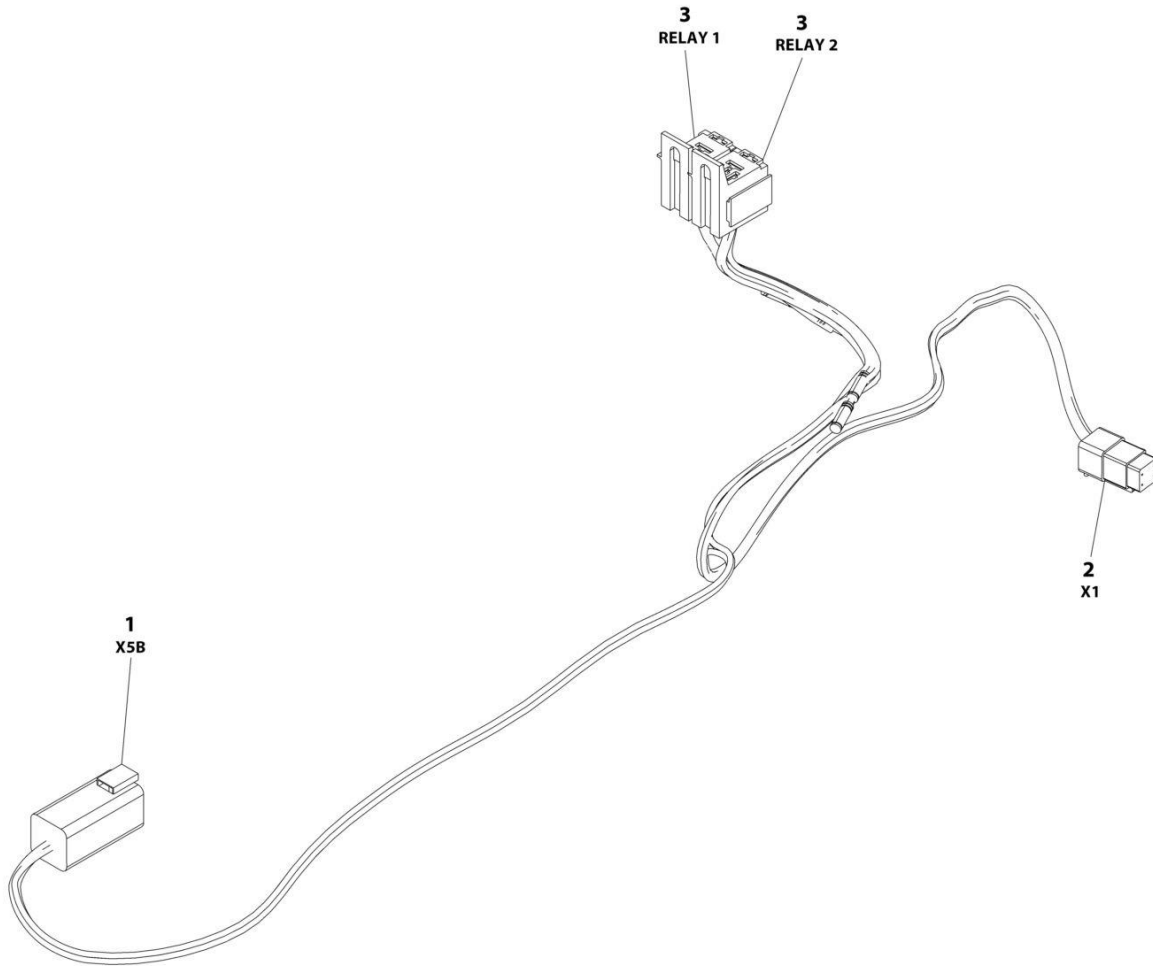
SECTION 8 - ELECTRICAL

FIGURE 8-70. SKYEYE RECEIVER HARNESS

ITEM	PART NUMBER	QTY	DESCRIPTION	REV
	1001237863	Ref	SKYEYE RECEIVER HARNESS	A
2	2820247	AR	Tubing, Heat Shrink	
4	1001097051	1	Connector - 4 Position	
4	1001119620	4	Pin, Male	
6	1001227996	1	Grommet	
7	1001237862	1	Cable, M8 Female Cordset	

SECTION 8 - ELECTRICAL

FIGURE 8-71. SKYLINE HARNESS



ART_1001238418

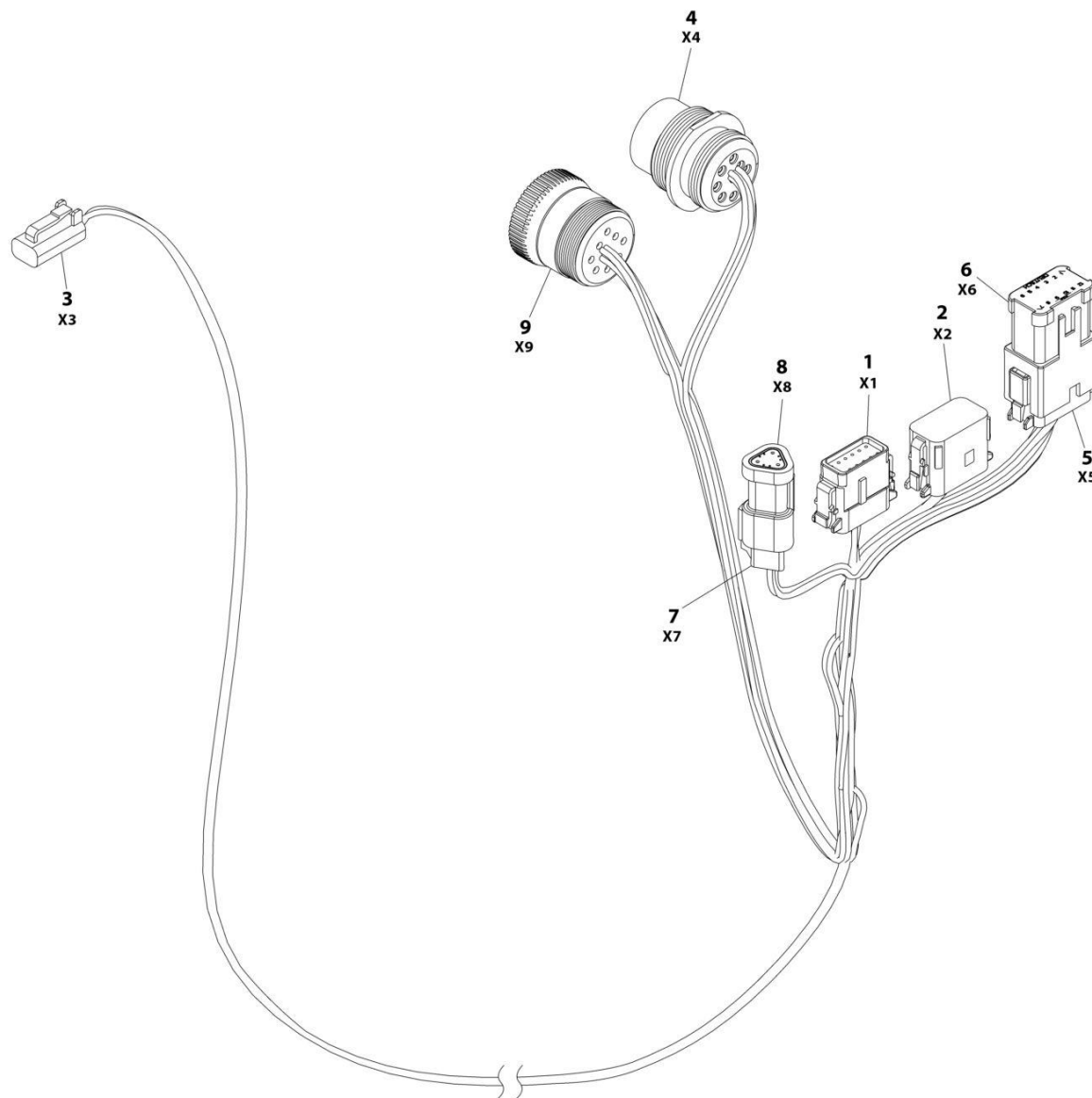
SECTION 8 - ELECTRICAL

FIGURE 8-71. SKYLINE HARNESS

ITEM	PART NUMBER	QTY	DESCRIPTION	REV
	1001238418	Ref	SKYLINE HARNESS	A
1	4460899	1	Connector - 6 Position	
1	4460464	4	Pin, Male	
1	4460466	2	Plug, Terminal	
2	4461077	1	Connector - 4 Position	
2	1001126009	4	Socket, Female	
3	1001186432	2	Plug, Relay	
3	1001118388	5	Terminal	
3	1001118384	3	Terminal	
3	3740086	2	Relay	
3	3990013	2	Diode	

SECTION 8 - ELECTRICAL

FIGURE 8-72. STROBE LIGHT CONTROL (BLUE STROBE LIGHT)



ART_1001142736

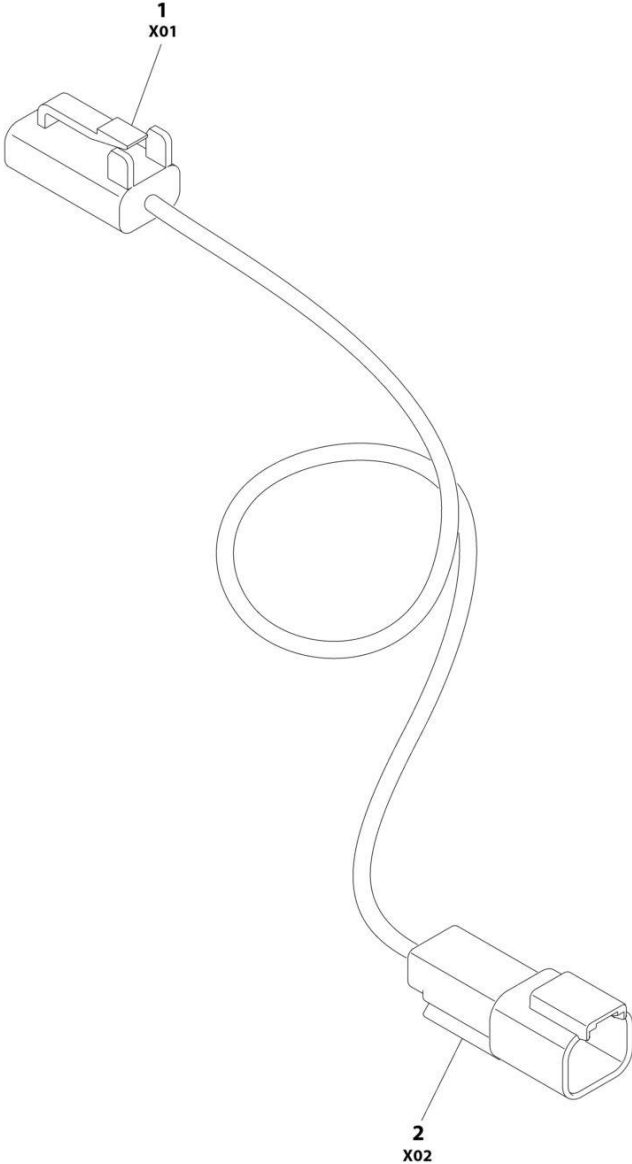
SECTION 8 - ELECTRICAL

FIGURE 8-72. STROBE LIGHT CONTROL (BLUE STROBE LIGHT)

ITEM	PART NUMBER	QTY	DESCRIPTION	REV
	1001142736	Ref	STROBE LIGHT CONTROL (BLUE STROBE LIGHT)	F
1	1001116808	1	Plug, Male - 12 Position	
1	4460928	3	Socket, Female	
1	4460518	9	Plug, Terminal	
2	1001116774	1	Plug, Male - 12 Position	
2	4460928	3	Socket, Female	
2	4460518	9	Plug, Terminal	
3	4460891	1	Plug, Male - 2 Position	
3	4460465	2	Socket, Female	
4	1001112612	1	Connector - 9 Position	
4	4460464	6	Pin, Male	
4	4460466	3	Plug, Terminal	
5	4460933	1	Plug, Male - 12 Position	
5	4460465	12	Socket, Female	
6	1001119020	1	Bussbar - 12 Position	
7	4461095	1	Plug, Male - 3 Position	
7	4460465	3	Socket, Female	
8	4461070	1	Bussbar - 3 Position	
9	1001112796	1	Connector - 9 Position	
9	4460465	6	Socket, Female	
9	4460466	3	Plug, Terminal	

SECTION 8 - ELECTRICAL

FIGURE 8-73. STROBE LIGHT EXTENSION HARNESS (BLUE STROBE LIGHT ONLY)



ART_1001159027

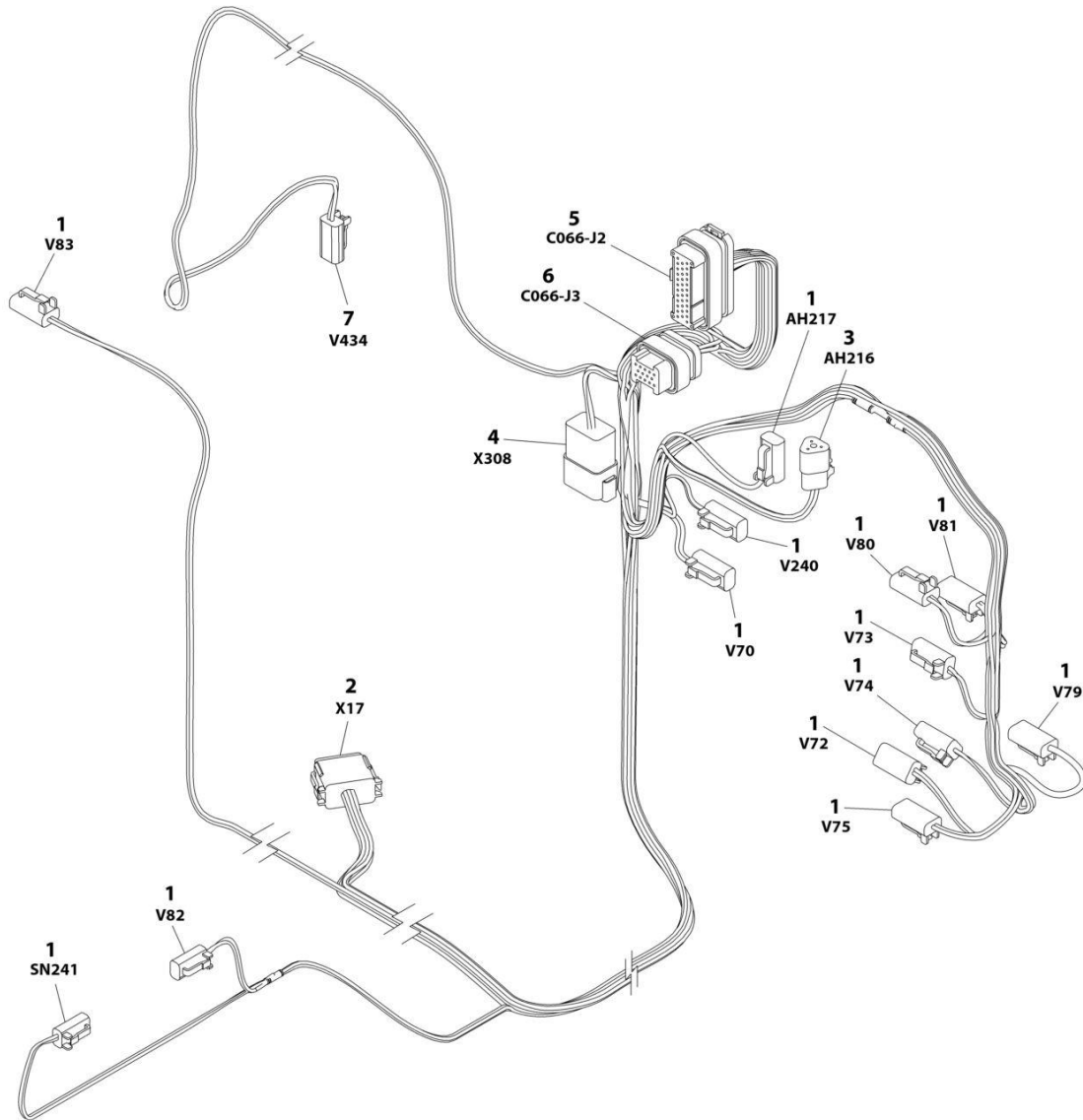
SECTION 8 - ELECTRICAL

FIGURE 8-73. STROBE LIGHT EXTENSION HARNESS (BLUE STROBE LIGHT ONLY)

ITEM	PART NUMBER	QTY	DESCRIPTION	REV
	1001159027	Ref	STROBE LIGHT EXTENSION HARNESS (BLUE STROBE LIGHT ONLY)	B
1	4460891	1	Plug, Male - 2 Position	
1	4460465	2	Socket, Female	
2	4460897	1	Receptacle, Female	
2	4460464	2	Pin, Male	

SECTION 8 - ELECTRICAL

FIGURE 8-74. VALVE HARNESS



ART_1001118293

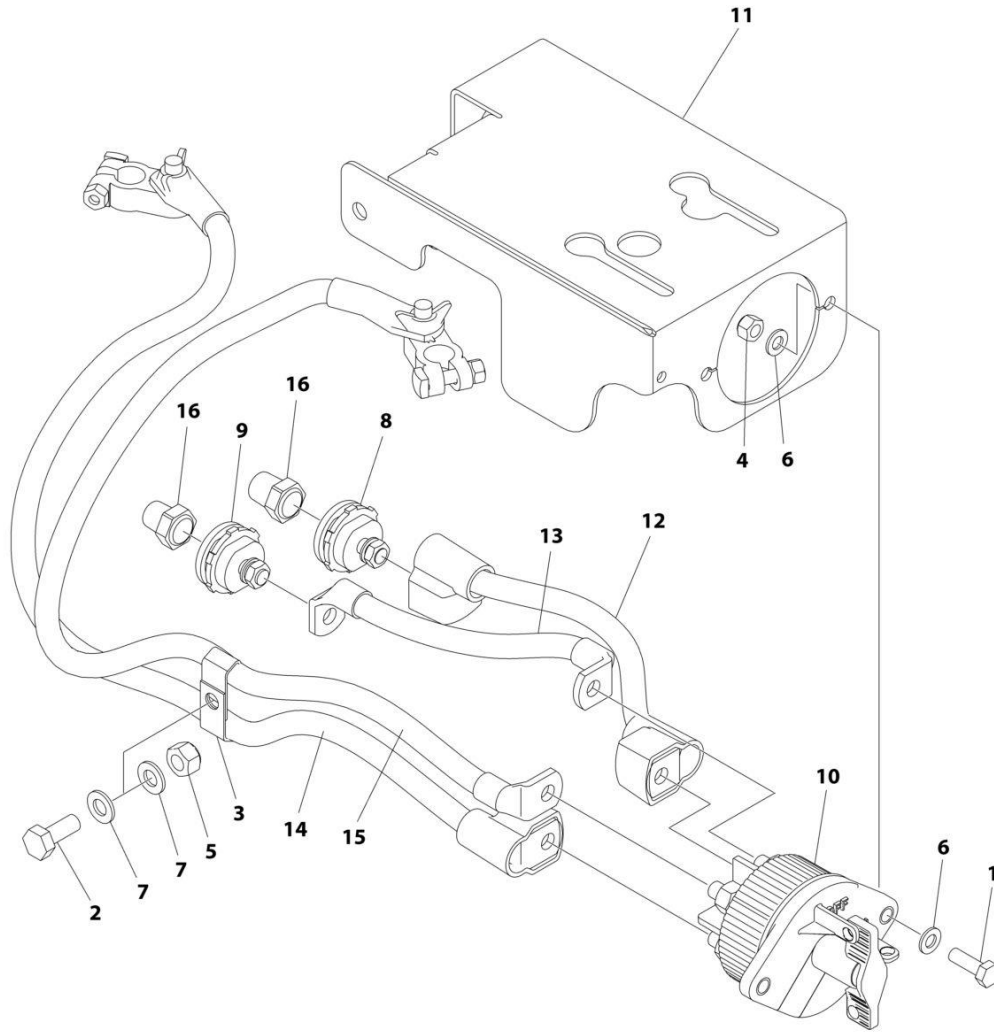
SECTION 8 - ELECTRICAL

FIGURE 8-74. VALVE HARNESS

ITEM	PART NUMBER	QTY	DESCRIPTION	REV
	1001118293	Ref	VALVE HARNESS	G
1	4460891	13	Plug, Male - 2 Position	
1	4460465	26	Socket, Female	
2	4460933	1	Plug, Male - 12 Position	
2	4460465	9	Socket, Female	
2	4460466	3	Plug, Terminal	
3	4460539	1	Connector - 3 Position	
3	4460465	3	Socket, Female	
4	4460931	1	Connector - 8 Position	
4	4460464	4	Pin, Male	
4	4460466	4	Plug, Terminal	
5	4460875	1	Connector - 35 Position	
5	4460871	24	Socket, Female	
5	4460905	11	Plug, Terminal	
6	4460872	1	Connector - 14 Position	
6	4460871	7	Socket, Female	
6	4460905	6	Plug, Terminal	
7	4460891	1	Plug, Male - 2 Position (SN 0300223169 to Present)	
7	4460465	2	Socket, Female (SN 0300223169 to Present)	

SECTION 8 - ELECTRICAL

FIGURE 8-75. BATTERY DISCONNECT SWITCH



ART_1001214397

SECTION 8 - ELECTRICAL

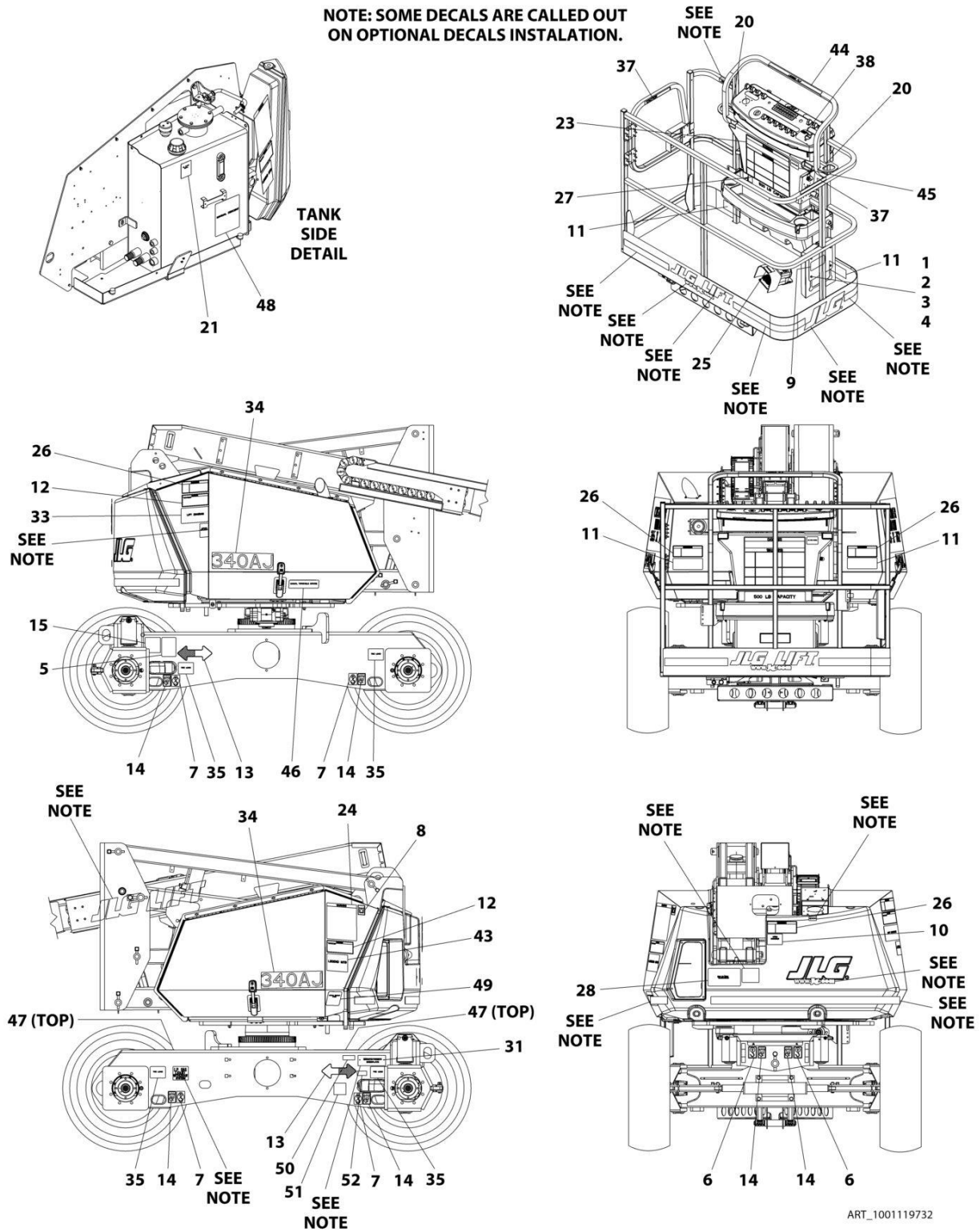
FIGURE 8-75. BATTERY DISCONNECT SWITCH

ITEM	PART NUMBER	QTY	DESCRIPTION	REV
	1001214397	Ref	BATTERY DISCONNECT SWITCH	A
1	0760812	2	Bolt M8 x 25	
2	0761012	1	Bolt M10 x 25	
3	1320223	2	Clamp	
4	3290805	2	Nut M8	
5	3291005	1	Nut M10	
6	4811900	4	Washer M8	
7	4812000	2	Washer M10	
8	1001214570	1	Connector (Red)	
9	1001214571	1	Connector (Black)	
10	1001225346	1	Switch	
11	1001226530	1	Mount	
12	1001237878	1	Cable, Battery Disconnect (Positive)	
13	1001237879	1	Cable, Battery Disconnect (Negative)	
14	1001237880	1	Cable (Positive)	
15	1001237881	1	Cable (Negative)	
16	1001206476	1	Connector	

SECTION 9 - DECALS

SECTION 9 - DECALS

FIGURE 9-1. DECALS INSTALLATION - ANSI AND ANSI EXPORT SPECS (ENGLISH)



SECTION 9 - DECALS

FIGURE 9-1. DECALS INSTALLATION - ANSI AND ANSI EXPORT SPECS (ENGLISH)

ITEM	PART NUMBER	QTY	DESCRIPTION	REV
	1001119732	Ref	DECALS INSTALLATION - ANSI AND ANSI EXPORT SPECS (ENGLISH)	I
1	0760610	4	Bolt M6 x 20	
2	4811700	8	Washer M6	
3	3290605	4	Nut M6	
4	0860520	1	Box, Manual Storage	
5	1001131269	1	Decal - Patent	
6	1701500	4	Decal - Lift	
7	1701499	4	Decal - No Tie-Down/No Lift	
8	1701504	1	Decal - Hydraulic Oil	
9	1701509	1	Decal - Manual	
10	1702391	1	Decal - Crushing	
11	1703804	4	Decal - Warning Crushing	
12	1703953	2	Decal - Warning Crushing	
13	1701642	2	Decal - Arrow	
14	1702300	8	Decal - Tie-Down	
15	See Note	1	Decal - Bar Code (Note: Not Available for Purchase)	
20	1704277	2	Decal - Lanyard Attach	
21	1704412	1	Decal - Hydraulic Oil	
23	1703797	1	Decal - Danger/Warning	
24	1703798	1	Decal - Danger/Warning	
25	3252347	1	Nameplate - Footswitch	
26	1703805	4	Decal - Electrocution	
27	1001121801	2	Decal - Maximum Capacity 500LBS/227KG	
28	1001121814	1	Decal - Warning Maximum Capacity 500LBS/227KG	
31	2080057	2	Fastener	
33	1001119576	1	Decal - Lift Diagram	
34	1001119578	2	Decal - 340AJ	
35	1001119580	4	Decal - Tire Load	
37	1702868	2	Decal - No Hands	
38	1705351	1	Decal - Drive/Steer Instructions	
43	1001120009	1	Decal - Legend	
44	1001120010	1	Decal - Legend	
45	1001120002	1	Decal - No Pipe Racks	
46	1001119981	1	Decal - Manual Turntable Rotate	
47	1701529	2	Decal - Arrow	
48	1001127549	1	Decal - Manual Descent	
49	1001127588	1	Decal - Manual Descent	
50	1705514	1	Decal - CSA (SN 0300222693 to Present)	
51	1001223055	1	Decal - Yearly Inspection (SN 0300233756 to Present)	
52	1001223453	1	Decal - ICES (SN 0300241369 to Present)	

SECTION 9 - DECALS

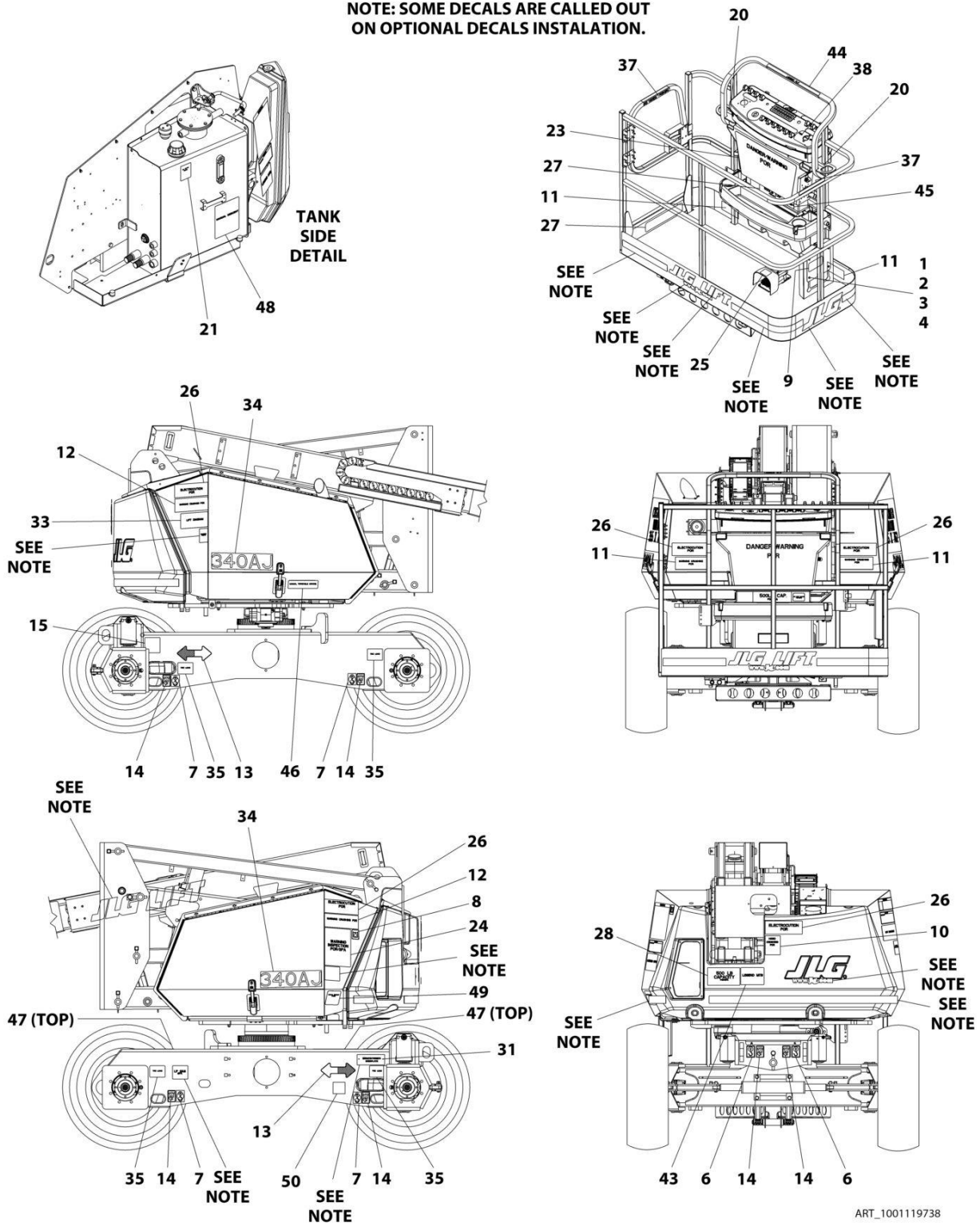
FIGURE 9-2. DECALS INSTALLATION - AUSTRALIAN SPEC (ENGLISH)

ITEM	PART NUMBER	QTY	DESCRIPTION	REV
	1001119733	Ref	DECALS INSTALLATION - AUSTRALIAN SPEC (ENGLISH)	E
1	0760610	4	Bolt M6 x 20	
2	4811700	8	Washer M6	
3	3290605	4	Nut M6	
4	0860520	1	Box, Manual Storage	
6	1701500	4	Decal - Lift	
7	1701499	4	Decal - No Tie-Down/No Lift	
8	1701504	1	Decal - Hydraulic Oil	
9	1701509	1	Decal - Manual	
10	1701517	1	Decal - Crushing	
12	1701518	6	Decal - Crushing	
13	1701642	2	Decal - Arrow	
14	1702300	8	Decal - Tie-Down	
15	See Note	1	Decal - Bar Code (Note: Not Available for Purchase)	
20	1704277	2	Decal - Lanyard Attach	
21	1704412	1	Decal - Hydraulic Oil	
23	1705921	1	Decal - Tipping/Electrocution	
24	1705822	1	Decal - Electrocution/Safety Manual	
25	1705828	1	Decal - Footswitch	
26	1705961	4	Decal - Electrocution	
27	1705978	2	Decal - Capacity 230KG	
31	2080057	2	Fastener	
33	1001119576	1	Decal - Lift Diagram	
34	1001119578	2	Decal - 340AJ	
35	1001119580	4	Decal - Tire Load	
45	1001120003	1	Decal - No Pipe Racks	
46	1001119981	1	Decal - Manual Turntable Rotate	
47	1701529	2	Decal - Arrow	
48	1001127549	1	Decal - Manual Descent	
49	1001127588	1	Decal - Manual Descent	

SECTION 9 - DECALS

FIGURE 9-3. DECALS INSTALLATION - BRAZIL SPEC (PORTUGUESE/SPANISH)

NOTE: SOME DECALS ARE CALLED OUT ON OPTIONAL DECALS INSTALLATION.



ART_1001119738

SECTION 9 - DECALS

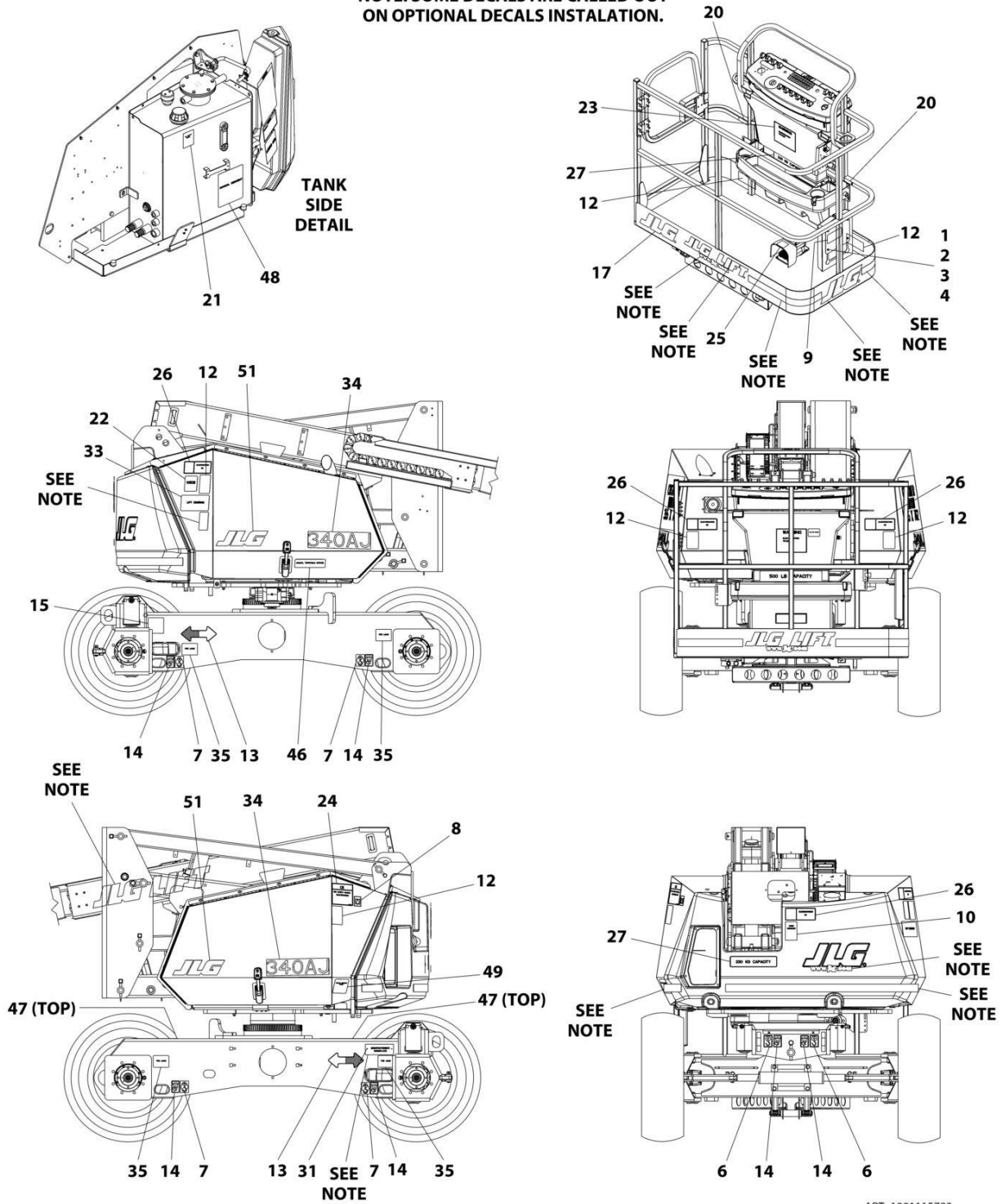
FIGURE 9-3. DECALS INSTALLATION - BRAZIL SPEC (PORTUGUESE/SPANISH)

ITEM	PART NUMBER	QTY	DESCRIPTION	REV
	1001119738	Ref	DECALS INSTALLATION - BRAZIL SPEC (PORTUGUESE/SPANISH)	G
1	0760610	4	Bolt M6 x 20	
2	4811700	8	Washer M6	
3	3290605	4	Nut M6	
4	0860520	1	Box, Manual Storage	
6	1701500	4	Decal - Lift	
7	1701499	4	Decal - No Tie-Down/No Lift	
8	1701504	1	Decal - Hydraulic Oil	
9	1701509	1	Decal - Manual	
10	1001113170	1	Decal - Crushing	
11	1703952	4	Decal - Crushing	
12	1705903	2	Decal - Crushing	
13	1701642	2	Decal - Arrow	
14	1702300	8	Decal - Tie-Down	
15	See Note	1	Decal - Bar Code (Note: Not Available for Purchase)	
20	1704277	2	Decal - Lanyard Attach	
21	1704412	1	Decal - Hydraulic Oil	
23	1703928	1	Decal - Warning	
24	1705349	1	Decal - Warning Inspection	
25	1703985	1	Decal - Footswitch	
26	1703940	5	Decal - Electrocution	
27	1001121920	2	Decal - Warning Maximum Capacity	
28	1001121923	1	Decal - Warning Maximum Capacity	
31	2080057	2	Fastener	
33	1001119576	1	Decal - Lift Diagram	
34	1001119578	2	Decal - 340AJ	
35	1001119580	4	Decal - Tire Load	
37	1704002	2	Decal - No Hands	
38	1001113680	1	Decal - Drive/Steer Instructions	
43	1001120009	1	Decal - Legend	
44	1001120010	1	Decal - Legend	
45	1001120282	1	Decal - No Pipe Racks	
46	1001119981	1	Decal - Manual Turntable Rotate	
47	1701529	2	Decal - Arrow	
48	1001127549	1	Decal - Manual Descent	
49	1001127588	1	Decal - Manual Descent	
50	1001224052	1	Decal - Yearly Inspection (SN 0300233756 to Present)	

SECTION 9 - DECALS

FIGURE 9-4. DECALS INSTALLATION - CE SPECS (ENGLISH)

NOTE: SOME DECALS ARE CALLED OUT ON OPTIONAL DECALS INSTALLATION.



ART_1001115783

SECTION 9 - DECALS

FIGURE 9-4. DECALS INSTALLATION - CE SPECS (ENGLISH)

ITEM	PART NUMBER	QTY	DESCRIPTION	REV
	1001115783	Ref	DECALS INSTALLATION - CE SPECS (ENGLISH)	J
1	0760610	4	Bolt M6 x 20	
2	4811700	8	Washer M6	
3	3290605	4	Nut M6	
4	0860520	1	Box, Manual Storage	
6	1701500	4	Decal - Lift	
7	1701499	4	Decal - No Tie-Down/No Lift	
8	1701504	1	Decal - Hydraulic Oil	
9	1701509	1	Decal - Manual	
10	1701517	1	Decal - Crushing	
12	1701518	6	Decal - Crushing	
13	1701642	2	Decal - Arrow	
14	1702300	8	Decal - Tie-Down	
15	See Note	1	Decal - Bar Code (Note: Not Available for Purchase)	
17	1702773	1	Decal - JLG (SN 0300219874 to Present)	
20	1704277	2	Decal - Lanyard Attach	
21	1704412	1	Decal - Hydraulic Oil	
22	1001130492	1	Decal - Sound Power	
23	1705921	1	Decal - Tipping/Electrocution	
24	1705822	1	Decal - Electrocution/Safety Manual	
25	1705828	1	Decal - Footswitch	
26	1705961	4	Decal - Electrocution	
27	1705978	2	Decal - Capacity 230KG	
31	2080057	2	Fastener	
33	1001119576	1	Decal - Lift Diagram	
34	1001119578	2	Decal - 340AJ	
35	1001119580	4	Decal - Tire Load	
46	1001119981	1	Decal - Manual Turntable Rotate	
47	1701529	2	Decal - Arrow	
48	1001127549	1	Decal - Manual Descent	
49	1001127588	1	Decal - Manual Descent	
51	1701435	2	Decal - JLG (SN 0300219874 to Present)	

SECTION 9 - DECALS

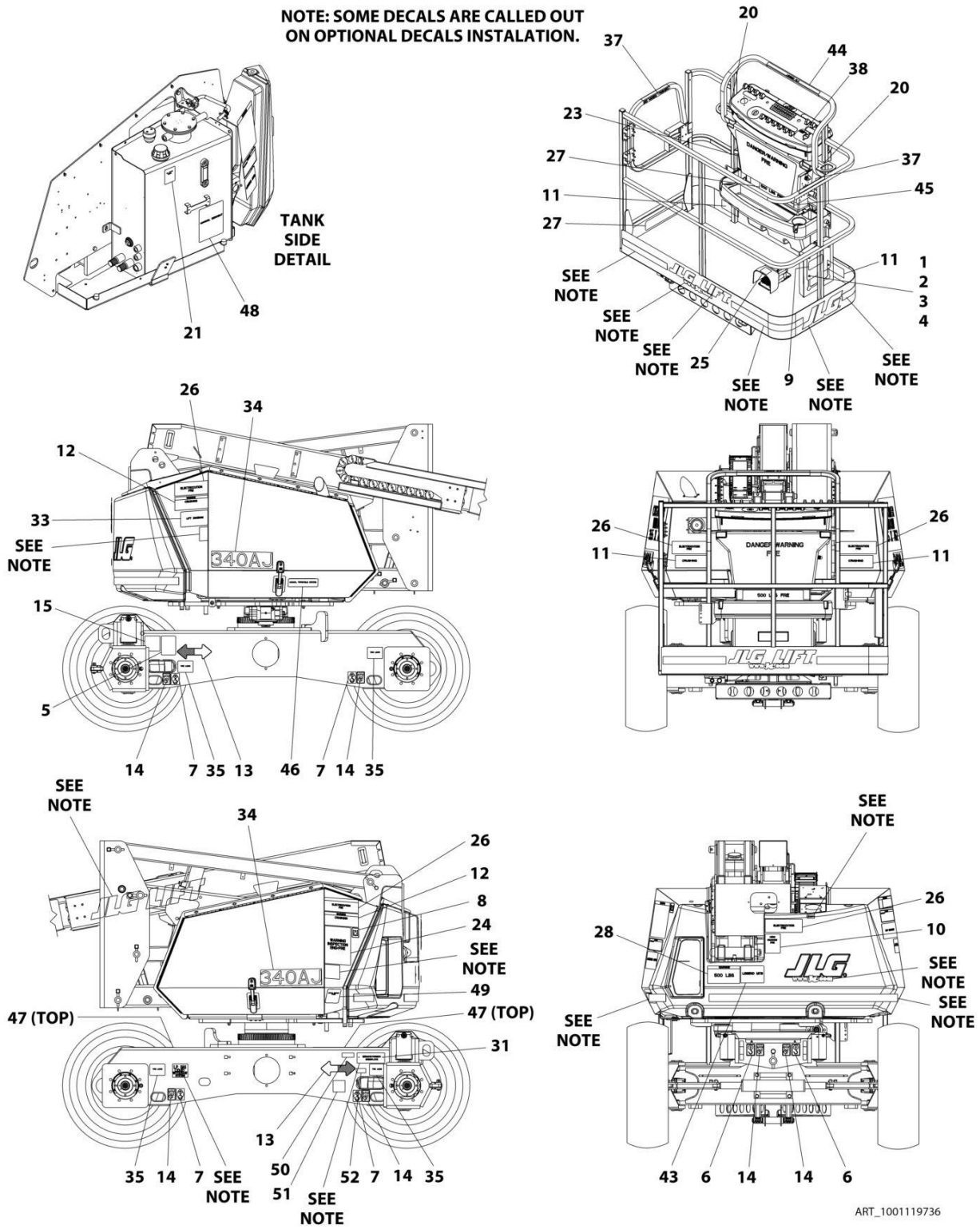
FIGURE 9-5. DECALS INSTALLATION - CHINESE SPEC (CHINESE/ENGLISH)

ITEM	PART NUMBER	QTY	DESCRIPTION	REV
	1001119737	Ref	DECALS INSTALLATION - CHINESE SPEC (CHINESE/ENGLISH)	H
1	0760610	4	Bolt M6 x 20	
2	4811700	8	Washer M6	
3	3290605	4	Nut M6	
4	0860520	1	Box, Manual Storage	
6	1701500	4	Decal - Lift	
7	1701499	4	Decal - No Tie-Down/No Lift	
8	1701504	1	Decal - Hydraulic Oil	
9	1701509	1	Decal - Manual	
10	1001113168	1	Decal - Crushing	
11	1703949	4	Decal - Crushing	
12	1703943	2	Decal - Crushing	
13	1701642	2	Decal - Arrow	
14	1702300	8	Decal - Tie-Down	
15	See Note	1	Decal - Bar Code (Note: Not Available for Purchase)	
20	1704277	2	Decal - Lanyard Attach	
21	1704412	1	Decal - Hydraulic Oil	
23	1703925	1	Decal - Warning	
24	1705348	1	Decal - Warning Inspection	
25	1703982	1	Decal - Footswitch	
26	1703937	5	Decal - Electrocution	
27	1001121810	2	Decal - Warning Maximum Capacity	
28	1001121823	1	Decal - Warning Maximum Capacity	
31	2080057	2	Fastener	
33	1001119576	1	Decal - Lift Diagram	
34	1001119578	2	Decal - 340AJ	
35	1001119580	4	Decal - Tire Load	
37	1705968	2	Decal - No Hands	
38	1705430	1	Decal - Drive/Steer Instructions	
43	1001120009	1	Decal - Legend	
44	1001120010	1	Decal - Legend	
45	1001120281	1	Decal - No Pipe Racks	
46	1001119981	1	Decal - Manual Turntable Rotate	
47	1701529	2	Decal - Arrow	
48	1001127549	1	Decal - Manual Descent	
49	1001127588	1	Decal - Manual Descent	
50	1001224050	1	Decal - Yearly Inspection (SN 0300233756 to Present)	

SECTION 9 - DECALS

FIGURE 9-6. DECALS INSTALLATION - CSA SPEC (FRENCH/ENGLISH)

NOTE: SOME DECALS ARE CALLED OUT ON OPTIONAL DECALS INSTALLATION.



ART_1001119736

SECTION 9 - DECALS

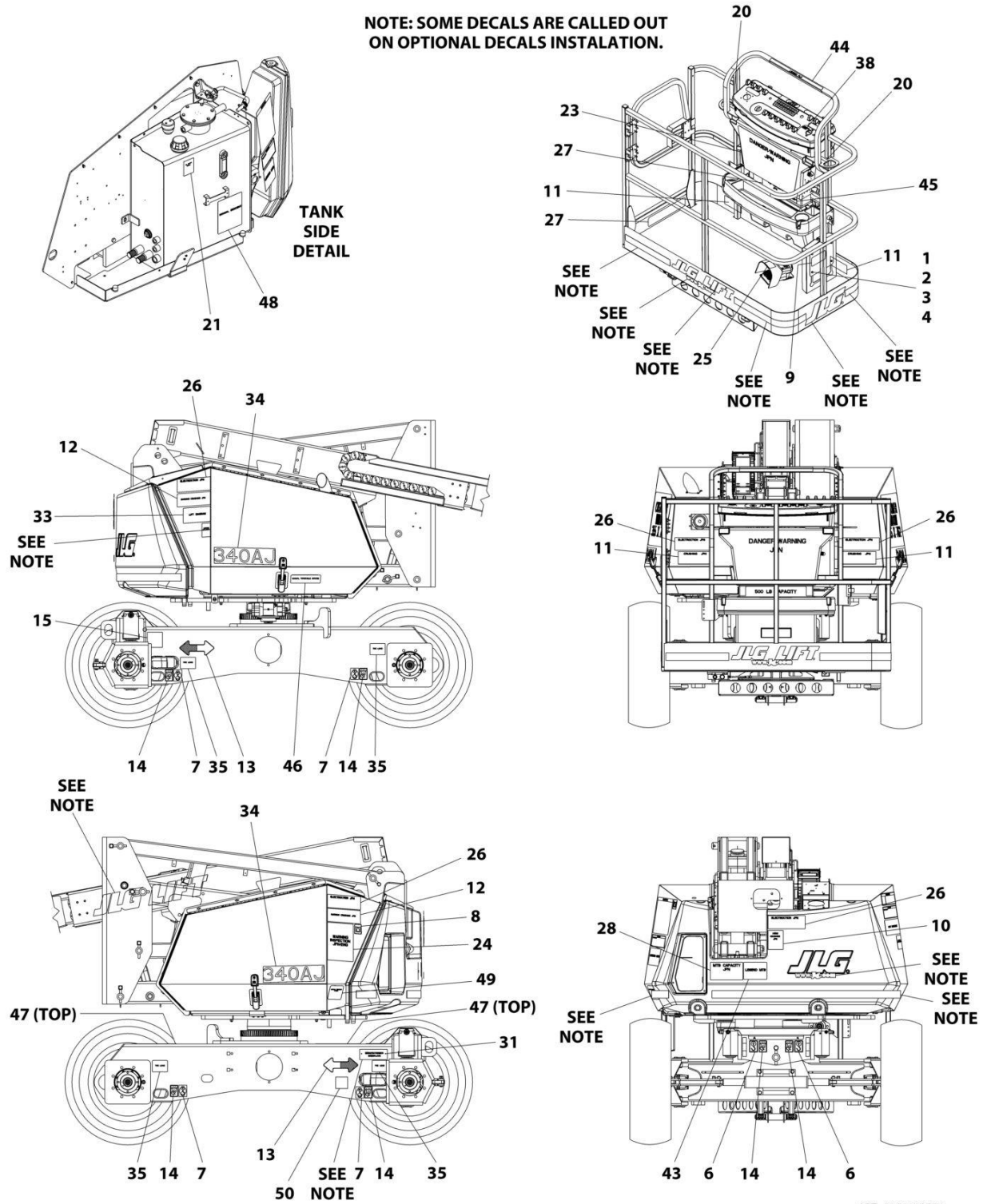
FIGURE 9-6. DECALS INSTALLATION - CSA SPEC (FRENCH/ENGLISH)

ITEM	PART NUMBER	QTY	DESCRIPTION	REV
	1001119736	Ref	DECALS INSTALLATION - CSA SPEC (FRENCH/ENGLISH)	I
1	0760610	4	Bolt M6 x 20	
2	4811700	8	Washer M6	
3	3290605	4	Nut M6	
4	0860520	1	Box, Manual Storage	
5	1001131269	1	Decal - Patent	
6	1701500	4	Decal - Lift	
7	1701499	4	Decal - No Tie-Down/No Lift	
8	1701504	1	Decal - Hydraulic Oil	
9	1701509	1	Decal - Manual	
10	1001113169	1	Decal - Crushing	
11	1703948	4	Decal - Warning Crushing	
12	1703942	2	Decal - Crushing	
13	1701642	2	Decal - Arrow	
14	1702300	8	Decal - Tie-Down	
15	See Note	1	Decal - Bar Code (Note: Not Available for Purchase)	
20	1704277	2	Decal - Lanyard Attach	
21	1704412	1	Decal - Hydraulic Oil	
23	1703924	1	Decal - Warning/Danger	
24	1705347	1	Decal - Warning Inspection	
25	1703984	1	Decal - Footswitch	
26	1703936	5	Decal - Electrocution	
27	1001121803	2	Decal - Warning Maximum Capacity	
28	1001121816	1	Decal - Warning Maximum Capacity	
31	2080057	2	Fastener	
33	1001119576	1	Decal - Lift Diagram	
34	1001119578	2	Decal - 340AJ	
35	1001119580	4	Decal - Tire Load	
37	1704000	2	Decal - No Hands	
38	1705429	1	Decal - Drive/Steer Instructions	
43	1001120009	1	Decal - Legend	
44	1001120010	1	Decal - Legend	
45	1001120004	1	Decal - No Pipe Racks	
46	1001119981	1	Decal - Manual Turntable Rotate	
47	1701529	2	Decal - Arrow	
48	1001127549	1	Decal - Manual Descent	
49	1001127588	1	Decal - Manual Descent	
50	1705514	1	Decal - CSA (SN 0300222693 to Present)	
51	1001223971	1	Decal - Yearly Inspection (SN 0300233756 to Present)	
52	1001223453	1	Decal - ICES (SN 0300241369 to Present)	

SECTION 9 - DECALS

FIGURE 9-7. DECALS INSTALLATION - JAPANESE SPEC (JAPANESE)

NOTE: SOME DECALS ARE CALLED OUT ON OPTIONAL DECALS INSTALLATION.



ART_1001119734

SECTION 9 - DECALS

FIGURE 9-7. DECALS INSTALLATION - JAPANESE SPEC (JAPANESE)

ITEM	PART NUMBER	QTY	DESCRIPTION	REV
	1001119734	Ref	DECALS INSTALLATION - JAPANESE SPEC (JAPANESE)	G
1	0760610	4	Bolt M6 x 20	
2	4811700	8	Washer M6	
3	3290605	4	Nut M6	
4	0860520	1	Box, Manual Storage	
6	1701500	4	Decal - Lift	
7	1701499	4	Decal - No Tie-Down/No Lift	
8	1701504	1	Decal - Hydraulic Oil	
9	1701509	1	Decal - Manual	
10	1001113166	1	Decal - Crushing	
11	1703950	4	Decal - Crushing	
12	1703944	2	Decal - Warning Crushing	
13	1701642	2	Decal - Arrow	
14	1702300	8	Decal - Tie-Down	
15	See Note	1	Decal - Bar Code (Note: Not Available for Purchase)	
20	1704277	2	Decal - Lanyard Attach	
21	1704412	1	Decal - Hydraulic Oil	
23	1703926	1	Decal - Danger/Warning	
24	1705344	1	Decal - Warning Inspection	
25	1703980	1	Decal - Footswitch	
26	1703938	5	Decal - Electrocution	
27	1001121808	2	Decal - Warning Maximum Capacity	
28	1001121821	1	Decal - Warning Maximum Capacity	
31	2080057	2	Fastener	
33	1001119576	1	Decal - Lift Diagram	
34	1001119578	2	Decal - 340AJ	
35	1001119580	4	Decal - Tire Load	
38	1705426	1	Decal - Drive/Steer Instruction	
43	1001120009	1	Decal - Legend	
44	1001120010	1	Decal - Legend	
45	1001120279	1	Decal - No Pipe Racks	
46	1001119981	1	Decal - Manual Turntable Rotate	
47	1701529	2	Decal - Arrow	
48	1001127549	1	Decal - Manual Descent	
49	1001127588	1	Decal - Manual Descent	
50	1001224053	1	Decal - Yearly Inspection (SN 0300233756 to Present)	

SECTION 9 - DECALS

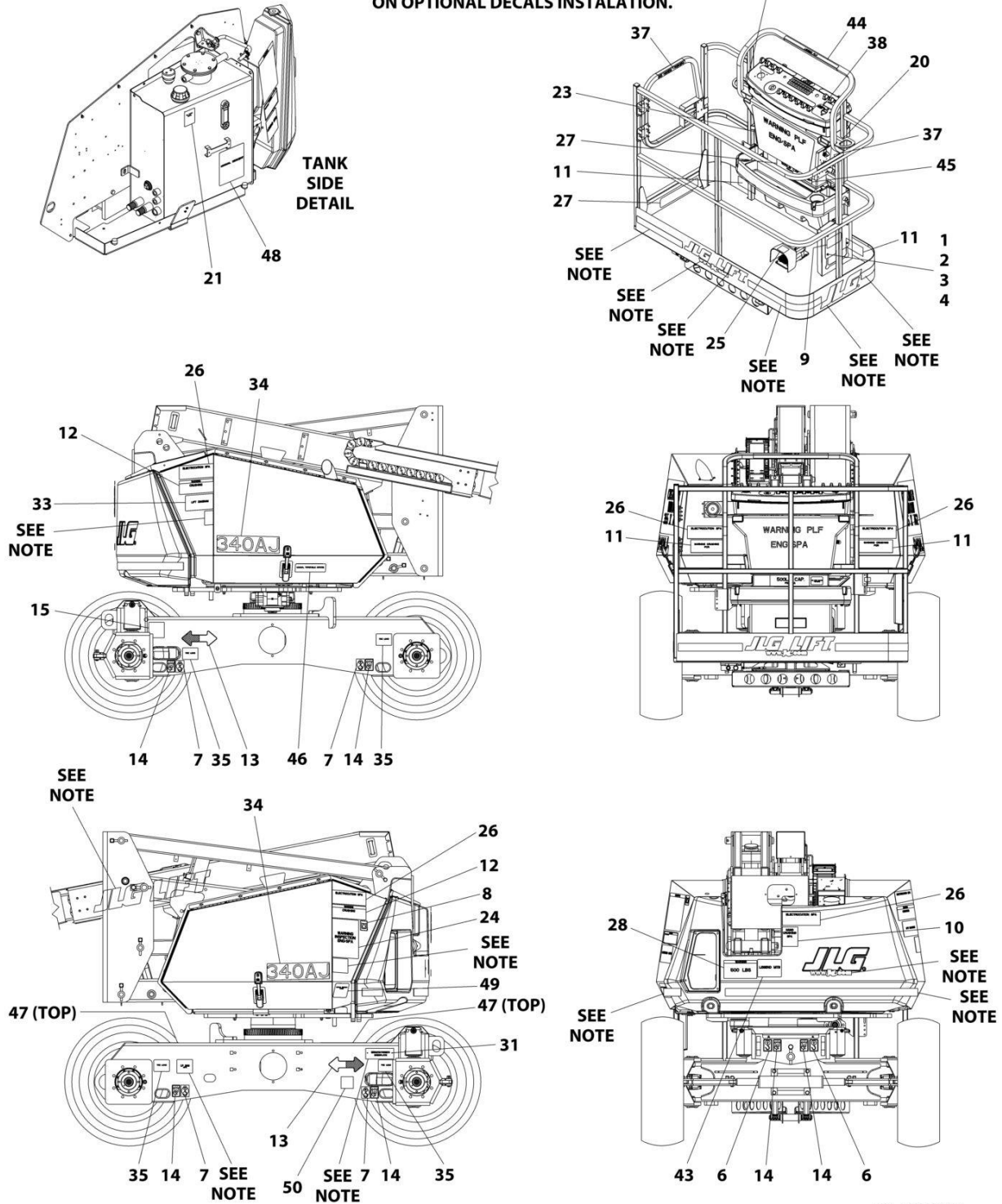
FIGURE 9-8. DECALS INSTALLATION - KOREAN SPEC (KOREAN/ENGLISH)

ITEM	PART NUMBER	QTY	DESCRIPTION	REV
	1001119735	Ref	DECALS INSTALLATION - KOREAN SPEC (KOREAN/ENGLISH)	G
1	0760610	4	Bolt M6 x 20	
2	4811700	8	Washer M6	
3	3290605	4	Nut M6	
4	0860520	1	Box, Manual Storage	
6	1701500	4	Decal - Lift	
7	1701499	4	Decal - No Tie-Down/No Lift	
8	1701504	1	Decal - Hydraulic Oil	
9	1701509	1	Decal - Manual	
10	1001113509	1	Decal - Crushing	
11	1703951	4	Decal - Crushing	
12	1703945	2	Decal - Crushing	
13	1701642	2	Decal - Arrow	
14	1702300	8	Decal - Tie-Down	
15	See Note	1	Decal - Bar Code (Note: Not Available for Purchase)	
20	1704277	2	Decal - Lanyard Attach	
21	1704412	1	Decal - Hydraulic Oil	
23	1703927	1	Decal - Warning/Danger	
24	1705345	1	Decal - Warning Inspection	
25	1703981	1	Decal - Footswitch	
26	1703939	5	Decal - Danger Electrocution	
27	1001121918	2	Decal - Warning Maximum Capacity	
28	1001121921	1	Decal - Warning Maximum Capacity	
31	2080057	2	Fastener	
33	1001119576	1	Decal - Lift Diagram	
34	1001119578	2	Decal - 340AJ	
35	1001119580	4	Decal - Tire Load	
37	1705969	2	Decal - No Hands	
38	1705427	1	Decal - Drive/Steer Instructions	
43	1001120009	1	Decal - Legend	
44	1001120010	1	Decal - Legend	
45	1001120280	1	Decal - No Pipe Racks	
46	1001119981	1	Decal - Manual Turntable Rotate	
47	1701529	2	Decal - Arrow	
48	1001127549	1	Decal - Manual Descent	
49	1001127588	1	Decal - Manual Descent	
50	1001224048	1	Decal - Yearly Inspection (SN 0300233756 to Present)	

SECTION 9 - DECALS

FIGURE 9-9. DECALS INSTALLATION - LATIN AMERICA SPEC (SPANISH/ENGLISH)

NOTE: SOME DECALS ARE CALLED OUT ON OPTIONAL DECALS INSTALLATION.



ART_1001119739

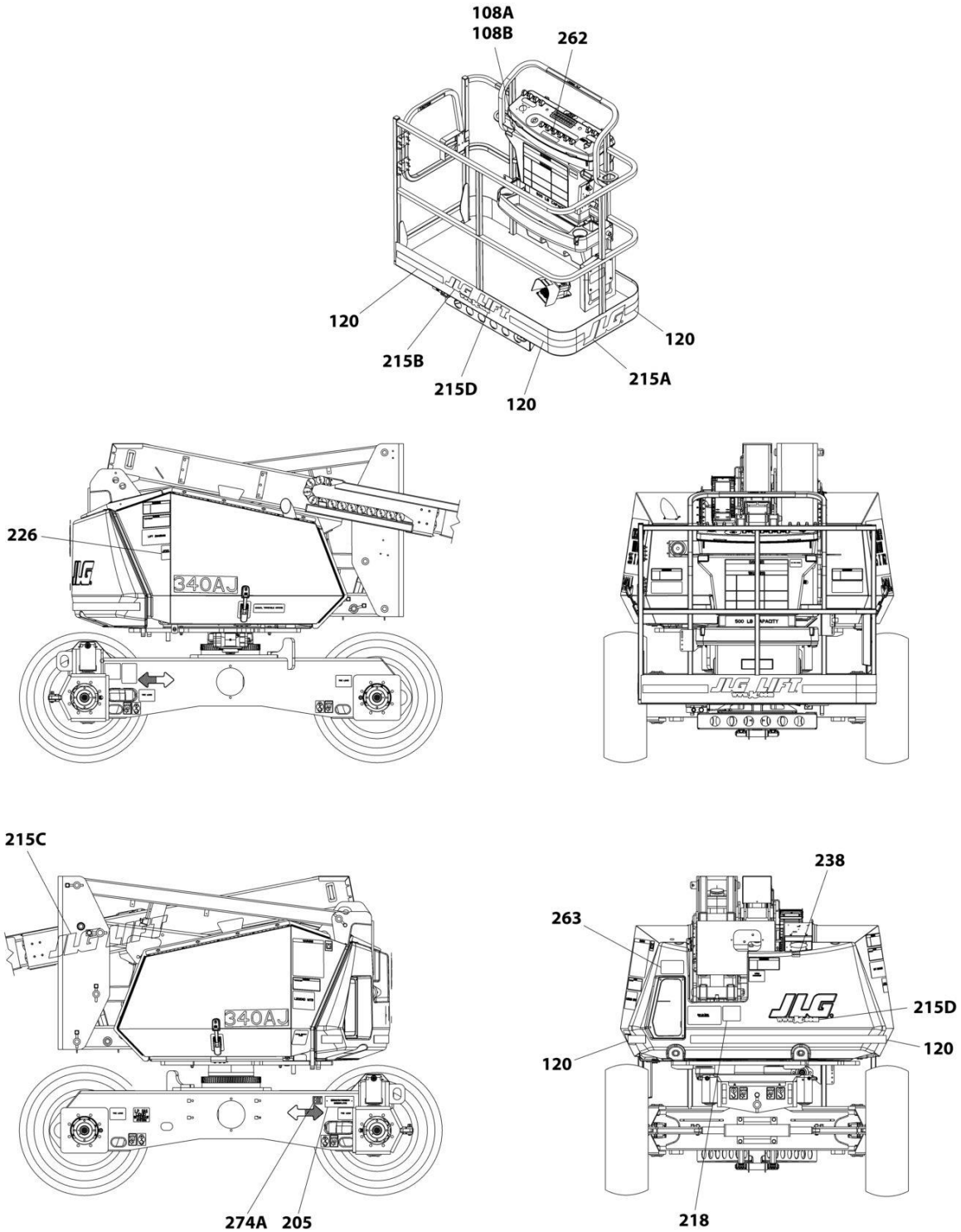
SECTION 9 - DECALS

FIGURE 9-9. DECALS INSTALLATION - LATIN AMERICA SPEC (SPANISH/ENGLISH)

ITEM	PART NUMBER	QTY	DESCRIPTION	REV
	1001119739	Ref	DECALS INSTALLATION - LATIN AMERICA SPEC (SPANISH/ENGLISH)	G
1	0760610	4	Bolt M6 x 20	
2	4811700	8	Washer M6	
3	3290605	4	Nut M6	
4	0860520	1	Box, Manual Storage	
6	1701500	4	Decal - Lift	
7	1701499	4	Decal - No Tie-Down/No Lift	
8	1701504	1	Decal - Hydraulic Oil	
9	1701509	1	Decal - Manual	
10	1001113171	1	Decal - Crushing	
11	1703947	4	Decal - Crushing	
12	1703941	2	Decal - Crushing	
13	1701642	2	Decal - Arrow	
14	1702300	8	Decal - Tie-Down	
15	See Note	1	Decal - Bar Code (Note: Not Available for Purchase)	
20	1704277	2	Decal - Lanyard Attach	
21	1704412	1	Decal - Hydraulic Oil	
23	1703923	1	Decal - Warning/Danger	
24	1705917	1	Decal - Warning Inspection	
25	1703983	1	Decal - Footswitch	
26	1703935	5	Decal - Electrocution	
27	1001121805	2	Decal - Warning Maximum Capacity	
28	1001121818	1	Decal - Warning Maximum Capacity	
31	2080057	2	Fastener	
33	1001119576	1	Decal - Lift Diagram	
34	1001119578	2	Decal - 340AJ	
35	1001119580	4	Decal - Tire Load	
37	1704001	2	Decal - No Hands	
38	1705910	1	Decal - Drive/Steer Instructions	
43	1001120009	1	Decal - Legend	
44	1001120010	1	Decal - Legend	
45	1001120283	1	Decal - No Pipe Racks	
46	1001119981	1	Decal - Manual Turntable Rotate	
47	1701529	2	Decal - Arrow	
48	1001127549	1	Decal - Manual Descent	
49	1001127588	1	Decal - Manual Descent	
50	1001224049	1	Decal - Yearly Inspection (SN 0300233756 to Present)	

SECTION 9 - DECALS

FIGURE 9-10. OPTIONAL DECALS INSTALLATION



ART_DECAL OPTIONS

SECTION 9 - DECALS

FIGURE 9-10. OPTIONAL DECALS INSTALLATION

ITEM	PART NUMBER	QTY	DESCRIPTION	REV
		Ref	OPTIONAL DECALS INSTALLATION	
108A	1702962	1	Decal - Warning Proposition 65 (ANSI Spec Diesel Machines Only) (Prior to SN 0300246422)	
108A	1001231801	1	Decal - Warning Proposition 65 (ANSI Spec Diesel Machines Only) (SN 0300246422 to Present)	
108B	1702961	1	Decal - Prop 65 Warning (Gasoline Machines) (Prior to SN 0300246422)	
108B	1001236338	1	Decal - Prop 65 Warning (Gasoline Machines) (SN 0300246422 through 0300256399)	
108B	1001231801	1	Decal - Prop 65 Warning (Gasoline Machines) (SN 0300256400 to Present)	
120	4420051	AR	Tape, Safety	
205	See Note	1	Nameplate - Manufacturers Serial Number (Note: Not Available for Purchase)	
215	1001110613	Ref	JLG Logo Installation	B
215A	1702773	1	Decal - JLG	
215B	1702774	1	Decal - JLG Lift	
215C	1702860	1	Decal - JLG Lift	
215D	1704885	2	Decal - Website	
218	3251813	1	Decal - USA (ANSI, ANSI Export and CSA Specs)	
226	1704972	1	Decal - Warning Explosion/Fire (ANSI Spec)	
226	1706098	1	Decal - Warning Explosion/Fire (Australian and CE Spec)	
226	1706059	1	Decal - Warning Explosion/Fire (Brazil Spec)	
226	1706064	1	Decal - Warning Explosion/Fire (CSA Spec)	
226	1706060	1	Decal - Warning Explosion/Fire (Chinese Spec)	
226	1706062	1	Decal - Warning Explosion/Fire (Japanese Spec)	
226	1706061	1	Decal - Warning Explosion/Fire (Korean Spec)	
226	1706063	1	Decal - Warning Explosion/Fire (Latin America Spec)	
238	1001108923	1	Decal - Low Sulfur Fuel Spec (ANSI and CSA Specs Only)	
238	1001139654	1	Decal - Ultra Low Sulfur Fuel Spec (CE and Japanese Specs Only) (SN 0300253888 to Present)	
262	1001141300	1	Decal - SkyGuard Override	
263	1001197408	1	Decal - MSSO	
274	1001214030	1	Decal - EAC Installation (CIS and Russia Specs)	
274A	1001173703	1	Decal - EAC	

SECTION 10 - RECOMMENDED SERVICE PARTS STOCK

SECTION 10 - RECOMMENDED SERVICE PARTS STOCK

SECTION 10 - RECOMMENDED SERVICE PARTS STOCK

FIGURE 10-1. RECOMMEDED SERVICE PARTS STOCK

ITEM	PART NUMBER	QTY	DESCRIPTION	REV
		Ref	Note: The following list will service one machine (built to current production per date on the front cover) with emergency repair parts which can be installed in the field. Parts from the list should be replaced when inventory is depleted to keep service parts stock supplied. For further information, contact your JLG dealer or the JLG Industries Parts Department.	
		Ref	STANDARD PARTS	
	70002386	1	Coil	
	70002963	1	Coil	
	70010383	1	Element, Filter	
	70002971	1	Coil	
	70002386	1	Coil	
	70003788	1	Coil	
	7015004	1	Element, Air Cleaner	
	70002149	1	Coil	
	70002812	1	Breather, Hydraulic Tank	
	4360328	1	Switch, Toggle	
	4360475	1	Switch, Mushroom	
	4360476	1	Contact, Switch Block	
	2860030	1	Key, Replacement	
	1001188446	1	Kit, Boom Wear Pad	
	70001996	1	Carrier 4 Link Repair Section	
	70001977	1	Coil	
	1001129555	1	Controller (Lift and Swing)	
	1001212415	1	Controller (Drive and Steer)	
	4360330	1	Switch, Toggle	
	4360387	1	Switch, Push Button	
	4360407	1	Control, Speed	
	4360331	1	Switch, Toggle	
	260305	2	Fuse 5A	
	1001003149	2	Fuse 15 Amp	
	2400065	2	Fuse 30A	
	1001117070	2	Fuse 30A	
	1001118938	2	Fuse 40A	
	3740080	1	Relay	
		Ref	VARIABLE PARTS	
	70002979	1	Filter, Oil Element (GM Engine Machines)	
	70002972	1	Filter, Fuel (GM Engine Machines)	
	70003178	1	Module, Control (GM Engine Machines)	
	7017923	1	Filter, Oil Element (Kubota Engine Machines)	
	70002900	1	Filter, Fuel Water (Kubota Engine Machines)	
	1001120431	1	Module, Ground Control	
	1001119170	1	Switch, Limit	
	4360522	1	Switch, Push Button (Machines with Turntable Floodlight/Head and Tail Light Options)	
	4360469	1	Switch, Key (All Specs except CE Spec)	
	4360470	1	Switch, Key (CE Specs)	
	4360336	1	Switch, Toggle (Machines with Generator Option)	
	4360548	1	Switch, Limit	
	2940074	1	Latch (Machines with Platform Gate)	

SECTION 10 - RECOMMENDED SERVICE PARTS STOCK

ITEM	PART NUMBER	QTY	DESCRIPTION	REV
	4360336	1	Switch, Toggle (Machines with Platform Floodlights Option)	
	1001118412	1	Module, Platform Control	
	4360336	1	Switch, Toggle (Dual Fuel) (GM Engine Machines)	
	1001109475	1	Breaker, Circuit 16Amp (CE Machines without Generator and with AC Platform Receptacle)	
	1001109477	1	Breaker, Circuit 10Amp (CE Machines with Generator and with AC Platform Receptacle)	
	1001109482	1	Breaker, Circuit 30mAmp (CE Machines with AC Platform Receptacle)	
	1001186431	1	Relay (Machines with SkyGuard)	
	1001142683	1	Module, Strobe Light (Machines with Blue Strobe Light)	

SECTION 11 - SPECIAL OPTIONS

SECTION 11 - SPECIAL OPTIONS

FIGURE 11-1. SPECIAL OPTIONS

ITEM	PART NUMBER	QTY	DESCRIPTION	REV
		Ref	Note: This list is to accommodate machines ordered with special equipment. Options may not be applicable to all models. For more specific parts information contact JLG Parts Department.	
		Ref	MISCELLANEOUS SPECIAL OPTIONS	
		Ref	Air Line at Platform Installations	
	1001119028	Ref	Machines without Arctic Package	
	1001119378	Ref	Machines with Arctic Package	
	1001206737	Ref	Alarm, White Noise	
	70006434	Ref	Bearing and Seal Kit (For Hub Assembly 1001116793)	
	1001119803	Ref	Bellows Installations	
	1001185080	Ref	Belt and Fan Shield Kit	
	1001148971	Ref	Bolt-on Lanyard Kit (Platform)	
	1001234099	Ref	Boom Kit - Telematics (CE Spec)	
	1001119962	Ref	Boom Wiper Installation	
		Ref	ClearSky Telematic Installation (Factory Installed)	
	1001119398	Ref	ClearSky (Telematics) Installation (Factory Installed) (ANSI Specs) Note: Refer to Manual Supplement p/n 3128499 for available replacement parts. (SN 0300200802 through 0300234326)	
	1001132732	Ref	ClearSky (Telematics) Installation (Factory Installed) (Australian Specs) Note: Refer to Manual Supplement p/n 3128499 for available replacement parts. (SN 0300200802 through 0300234326)	
	1001127091	Ref	ClearSky (Telematics) Installation (Factory Installed) (Brazil and New Zealand Specs) Note: Refer to Manual Supplement p/n 3128499 for available replacement parts. (SN 0300200802 through 0300234326)	
	1001119406	Ref	ClearSky (Telematics) Installation (Factory Installed) (CSA Specs) Note: Refer to Manual Supplement p/n 3128499 for available replacement parts. (SN 0300200802 through 0300234326)	
	1001227454	Ref	ClearSky (Telematics) Installation (Factory Installed) - Canbus Connection (ANSI and CSA Specs) (SN 0300234327 to Present)	
	1001228956	Ref	ClearSky (Telematics) Installation (Factory Installed) - Canbus Connection (ANSI Export and CE Specs) (SN 0300240022 to Present)	
	1001246486	1	ClearSky (Telematics) Installation (Factory Installed) - Canbus Connection (Australian Specs)	
	1001246487	1	ClearSky (Telematics) Installation (Factory Installed) - Canbus Connection (China Specs)	
	1001229107	Ref	ClearSky (Telematics) Installation (Factory Installed) - 3 Wire Connection (ANSI and CSA Specs) (SN 0300234327 to Present)	
	1001233237	Ref	ClearSky (Telematics) Installation (Factory Installed) - 3 Wire Connection (ANSI Export and CE Specs) (SN 0300240022 to Present)	
	1001119397	Ref	Cribbing Switch Installation	
		Ref	Cold Weather Start Kits (Not Available on Australian and CE Spec Machines)	
	1001119989	Ref	Diesel Engine Machines	
	1001119987	Ref	Gas Engine Machines	
		Ref	Decal Installations	
	1001119459	Ref	Decal - ClearSky	

SECTION 11 - SPECIAL OPTIONS

ITEM	PART NUMBER	QTY	DESCRIPTION	REV
	0272165	Ref	Decal - Warning Stripes	
		Ref	Decal Kit Options:	
	1001193629	Ref	Decal Kit - Platform Console Box	
	2902203	Ref	Decal Kit - Tires with Sealant (Includes qty 5 Decals and qty 4 Green Valve Stem Caps)	
	1001241332	Ref	Decal Kit - (Service) Platform	
	1001241338	Ref	Decal Kit - (Service) Platform Console Kit	
		Ref	Electrical Connector Kits	
	1001148902	Ref	Amp Connector Kit	
	1001148903	Ref	Deutsch DT Connector Kit	
	1001148904	Ref	Deutsch HD Connector Kit	
	1001148905	Ref	Packard Connector Kit	
	1001148906	Ref	Various Connector Kit	
	1001119988	Ref	Engine Block Heater Installation (Gas Engine Machines)	
	1001186578	Ref	Fan Guard (Kubota Engines)	
		Ref	Filter Kits:	
		Ref	Combined Filter Kit (Hydraulic/Air and Fuel/Engine Oil)	
	1001204448	NLA	Kubota Engines (Use p/n 1001133070)	
	1001133070	1	Kubota Engines	
	1001151649	1	GM Engines	
		Ref	Hydraulic/Air Filter	
	1001133067	1	Kubota Engines	
		Ref	Fuel/Oil Filter	
	1001204461	1	Kubota Engines	
		Ref	Fluids	
	2300040	Ref	Conditioner, Diesel Fuel	
		Ref	Coolant, Antifreeze (GM Engines)	
	2300004	Ref	Machines without Arctic Package	
	2300041	Ref	Machines with Arctic Package	
		Ref	Engine Oil	
	1001115930	Ref	Motor Oil 10W-30 (Machines without Arctic Package)	
	1001115931	Ref	Motor Oil 5W-30 Synthetic (Machines with Arctic Package)	
	1001190775	Ref	Motor Oil 10W-30 (GM Engines)	
		Ref	Hydraulic Fluids:	
	2300014	Ref	Mobil 424	
	2300029	Ref	Mobil EAL ISO 46 Bio	
	2300016	Ref	Mobil DTE 10 EXCEL 32	
	2300019	Ref	Quaker State Quintolubric 888-46 Fire Resistant	
	2300039	Ref	Exxon Univis Hvl 26 (Machines with Arctic Package)	
	1001117294	Ref	Foot Switch Shield	
	1001209659	Ref	Fuel Cap Cover (Lockable) (Black)	
	1001209658	Ref	Fuel Cap Cover (Lockable) (Green)	
	1001205441	Ref	Fuel Cap Cover (Lockable) (Red)	
	1001138005	Ref	GM Engine Air Flow Improvement Kit	
	1001120103	Ref	Ground Control Cover Installation	
	1001120197	Ref	Hourmeter for Generator Installation	
	1001157918	Ref	Hourmeter for Generator Installation (Kubota Engines Only)	
	1001236951	Ref	Low Temperature Cutout Installation (Russian Specs)	
	1001152544	Ref	Muffler Support Bracket Installation (Kubota Engines Only)	
	1001116419	Ref	Platform Cable Tray Carrier Installation (Australian Specs) (SN 0300200802 through 0300224526)	
	1001172045	Ref	Platform Cable Tray Carrier Installation (Australian Specs) (SN	

SECTION 11 - SPECIAL OPTIONS

ITEM	PART NUMBER	QTY	DESCRIPTION	REV
			0300224527 to Present)	
	1001205175	Ref	Platform Console Cover Add-On Kit	
	1001195304	Ref	Platform Console Cover Installation	
	1001103558	Ref	Platform Rail Extension Installation (30in x 60in Platforms)	
		Ref	Platform Mesh to Top Rail Installations (Side Entry Platforms) (ANSI, ANSI Export and China Specs)	
	0273147	Ref	30in x 4ft (76cm x 1.22m)	
	0273146	Ref	30in x 5ft (76cm x 1.52m)	
		Ref	Platform Mesh to Top Rail Kit (Side Entry Platforms) (ANSI and ANSI Export Specs)	
	1001214552	Ref	30in x 4ft (76cm x 1.22m)	
	1001214559	Ref	30in x 5ft (76cm x 1.52m)	
		Ref	Platform Mesh to Mid Rail Installations (Side Entry Platforms) (ANSI, ANSI Export, Australian and China Specs)	
	1001140318	Ref	30in x 4ft (76cm x 1.22m)	
	1001140315	Ref	30in x 5ft (76cm x 1.52m) (SN 0300197064 to Present)	
		Ref	Platform Mesh to Mid Rail Kit (Side Entry Platforms) (ANSI and ANSI Export Specs)	
	1001214478	Ref	30in x 4ft (76cm x 1.22m)	
	1001214515	Ref	30in x 5ft (76cm x 1.52m)	
	1001209059	Ref	Platform Work Surface	
	70006435	Ref	Seal Kit (For Hub Assembly 1001116793)	
	1001120176	Ref	Security Lock (Programmable) (ANSI and CE Specs)	
	1001239566	Ref	Service Kit - Upper Power Track Hose	
		Ref	SkyGuard Components Options:	
	1001187356	NLA	SkyGuard Complete Add-on Kit (Blue Strobe Light) (Use p/n 1001207138)	
	1001207138	Ref	SkyGuard Complete Add-on Kit (Blue Strobe Light)	
	1001210035	Ref	SkyGuard Complete Add-on Kit (Red Strobe Light)	
	1001219694	Ref	SkyGuard Platform System Kit	
	1001149565	Ref	SkyGuard Platform Sensor Kit	
	1001149752	NLA	SkyGuard Strobe Light Kit (Blue) (Use p/n 1001207140)	
	1001207140	Ref	SkyGuard Strobe Light Kit (Blue)	
	1001210034	Ref	SkyGuard Strobe Light Kit (Red)	
	1001176372	Ref	SkyGuard Plug Removal Kit	
		Ref	Tools for Service	
		Ref	Note: For cylinder repair tools, see individual cylinder assemblies.	
	2901443	Ref	Analyzer Kit	
	8896941	Ref	Wire Stripper	
	7002821	Ref	Wire Crimper (To install wire ends to wires)	
	7002823	Ref	Pin/Socket Extractor - Universal (For Removal of Pins/Sockets from Connectors)	
	4460467	Ref	Extractor - 16-18 Gauge (For Removal of Pin/Sockets from Deutsch Connectors)	
	4460510	Ref	Extractor - 12-14 Gauge (For Removal of Pin/Sockets from Deutsch Connectors)	
	7002822	Ref	Screwdriver, Potentiometer (To Adjust Drive Controllers)	
	7016654	Ref	Screwdriver, Magnetic	
	7004275	Ref	Seal Installation Tool - 1in	
	7004276	Ref	Seal Installation Tool - 1-1/2in	
	7002826	Ref	Seal Installation Tool - 2in	
	7016655	Ref	Wire Rope Sheave Gauge	
	1001137005	Ref	Software Cable Kit	

PART NUMBER INDEX

PART NUMBER INDEX

1001107152 439, 443, 447, 451, 455, 459	1001116548.....245	1001117897.....67, 73	1001118592 439, 443, 447, 451, 455, 459
1001107781 59, 61, 63	1001116549.....245	1001118029.....19, 21	1001118593 439, 443, 447, 451, 455, 459
1001107952 301, 305, 309, 313, 317, 321	1001116550.....249, 251	1001118218.....83, 503	1001118594 143, 147, 177, 181, 185, 189
1001108290 247	1001116720.....507, 521	1001118262.....73, 75, 77	1001118595 265
1001108923 575	1001116727.....471, 477, 515	1001118274..51, 81, 247, 259, 265, 439, 443, 447, 451, 455, 459	1001118619 152, 156, 160, 164
1001109475 469, 579	1001116732.....471, 475, 477, 509, 515	1001118280.....142, 147, 176, 180, 184, 188	1001118638 177, 181, 185, 189, 509
1001109477 483, 485, 579	1001116734.....471, 475, 477, 509, 515	1001118287.....247	1001118640 39
1001109482 469, 579	1001116752.....509	1001118288.....247	1001118641 31
1001109503 109	1001116774.....547	1001118292.....439, 443, 447, 451, 455, 459, 463	1001118642 37
1001109528 241, 243	1001116788.....15, 361	1001118293...83, 85, 551	1001118643 43
1001110434 301, 305, 309	1001116793.....23, 27	1001118333.....83, 515	1001118644 33
1001110613 575	1001116808.....547	1001118361.....114, 119	1001118646 135, 137, 152, 156, 160, 164
1001110873 238, 395	1001116810.....503, 505	1001118384.....545	1001118647 39, 41
1001110922 23	1001116811.....471, 515	1001118388.....507, 521, 545	1001118648 39, 41
1001112607 241, 243	1001116812.....471, 503, 505, 515	1001118394.....249, 251	1001118649 31
1001112612 503, 505, 547	1001116835.....265	1001118412.....301, 305, 309, 314, 317, 322, 579	1001118650 37
1001112796 547	1001116867.....15	1001118415.....301, 306, 519	1001118651 37
1001113166 569	1001116871.....15	1001118453.....143, 147, 176, 180, 184, 188	1001118652 43, 45
1001113168 565	1001116876.....247	1001118459.....114	1001118653 43, 45
1001113169 567	1001116877.....247	1001118482.....249, 251	1001118654 33
1001113170 561	1001116905.....374, 384	1001118502.....67, 69	1001118657 509
1001113171 573	1001117025.....471, 475, 477, 509, 515	1001118509.....67, 69	1001118658 509
1001113483 259	1001117028.....139, 167, 169, 171, 173, 199	1001118510.....67, 69	1001118660 37, 43, 45
1001113509 571	1001117029.....139, 167, 169, 171, 173, 203	1001118511.....17	1001118665 245
1001113680 561	1001117030.....23, 25	1001118516.....249, 251	1001118666 245
1001113961 503, 505	1001117055.....509	1001118518.....17	1001118675 177, 181, 185, 189
1001114761 55	1001117070.....509, 578	1001118519.....17	1001118720 210, 214, 226, 230
1001115649 245	1001117078.....503, 505	1001118527.....176, 180, 184, 188	1001118743 509
1001115650 245	1001117129....35, 37, 39, 41, 43, 45	1001118528.....176, 180, 184, 189	1001118744 509
1001115657 245	1001117131.....35	1001118529.....176, 181, 184, 189	1001118746 143, 147, 177, 181, 185, 189
1001115661 245	1001117132.....35	1001118530.....176, 181, 184, 189	1001118748 509
1001115663 245	1001117142.....15	1001118531.....176, 181, 184, 189	1001118751 55
1001115669 245	1001117145.....59	1001118532.....176, 181, 184, 189	1001118878 177, 181, 185, 189
1001115672 241, 243, 245	1001117172.....285, 287, 289, 291, 293, 295, 297, 299	1001118538.....176, 181, 184, 189	1001118881 177, 181, 185, 189
1001115766 241	1001117174.....285, 287, 289, 291, 293, 295, 297, 299, 301, 305, 309, 313, 317, 321	1001118542.....177, 181, 185, 189	1001118888 259
1001115769 67	1001117239.....114	1001118543.....177, 181, 185, 189	1001118909 259
1001115770 23	1001117240.....87	1001118544.....177, 181, 185, 189	1001118910 259
1001115771 15	1001117243.....114	1001118547.....176, 181, 185, 189	1001118915 51
1001115772 17	1001117281.....117, 119	1001118548.....152, 156, 160, 164	1001118916 51
1001115773 35	1001117282.....114	1001118579.....177, 181, 185, 189	1001118925 177, 181, 185, 189
1001115774 59	1001117294.....583	1001118580.....177, 181, 185, 189	1001118938 509, 578
1001115780 .. 19, 55, 265	1001117365.....347	1001118582.....177, 181, 185, 189	1001118961 59, 61
1001115781 51	1001117366.....347	1001118584.....177, 181, 185, 189	1001118975 81
1001115783 563	1001117372.....347	1001118585.....241, 243, 247	1001119018 439, 447, 455, 495
1001115784 439	1001117375.....241, 243, 349	1001118588.....177, 181, 185, 189	1001119019 439, 447, 455, 499
1001115785 374, 386	1001117640.....241, 243, 355	1001118589.....177, 181, 185, 189	1001119020 519, 521, 523, 547
1001115788 407	1001117869.....17	1001118590.....177, 181, 185, 189	1001119028 582
1001115834 257	1001117884.....241, 249	1001118592.....177, 181, 185, 189	1001119035 374, 384
1001115870 245	1001117885.....241, 243, 247	1001118593.....177, 181, 185, 189	1001119068 374, 384
1001115930 135, 583	1001117892.....142	1001118594.....177, 181, 185, 189	1001119069 374, 384
1001115931 137, 583	1001117895.....69, 75	1001118595.....177, 181, 185, 189	1001119070 374, 384
1001116228 265, 267			
1001116339 67, 69, 71			
1001116361 17, 347			
1001116378 347			
1001116419 583			
1001116433 439, 443, 447, 451, 455, 459			
1001116487 55, 57			
1001116546 245			
1001116547 245			

PART NUMBER INDEX

1001119071.....374, 384	1001119548..... 374	1001119698 143, 147, 176, 181, 184, 189	1001120003.....559
1001119072.....114	1001119550..... 375	1001119699 143, 147	1001120004.....567
1001119077.....117	1001119551..... 205, 209, 213, 217, 221, 225, 229	1001119700 143, 147	1001120007..... 176, 181, 185, 189
1001119080.....114	1001119552..... 375	1001119701 143, 147	1001120009.....557, 561, 565, 567, 569, 571, 573
1001119083.....114	1001119553..... 205, 209, 213, 217, 221, 225, 229	1001119727 143, 147	1001120010.....557, 561, 565, 567, 569, 571, 573
1001119085.....114	1001119554..... 205, 209, 213, 217, 221, 225, 229	1001119730 143, 147	1001120020.....386
1001119086.....117	1001119558..... 375	1001119732 557	1001120027.....41
1001119087.....117	1001119569..... 375	1001119733 559	1001120036.....45
1001119088.....117	1001119570..... 375	1001119734 569	1001120087..... 135, 137, 143, 147, 152, 156, 160, 164, 177, 181, 185, 189
1001119089.....119	1001119572..... 375, 385	1001119735 571	1001120090..... 135, 137, 143, 147, 152, 156, 160, 164, 177, 181, 185, 189
1001119090.....119	1001119576..... 557, 559, 561, 563, 565, 567, 569, 571, 573	1001119736 567	1001120103.....583
1001119091.....119	1001119577..... 375, 385	1001119737 565	1001120176.....584
1001119092.....114	1001119578..... 557, 559, 561, 563, 565, 567, 569, 571, 573	1001119738 561	1001120197.....583
1001119102.....69	1001119580..... 557, 559, 561, 563, 565, 567, 569, 571, 573	1001119739 573	1001120204.....427, 429
1001119103.....114	1001119582..... 225	1001119773 205, 209, 214, 218, 222, 226, 230, 477	1001120205.....431, 433
1001119104.....114	1001119583..... 209	1001119778 135, 137, 493	1001120232..... 103, 302, 310
1001119139.....431, 439, 447	1001119584..... 229	1001119799 493	1001120279.....569
1001119140.....427, 439, 447	1001119585..... 213	1001119803 582	1001120280.....571
1001119143.....374, 384	1001119586..... 217, 225	1001119809 395	1001120281.....565
1001119165.....83	1001119587..... 209	1001119870 391	1001120282.....561
1001119170.....83, 85, 511, 578	1001119588..... 221, 229	1001119871 401	1001120283.....573
1001119172.....107	1001119589..... 205, 213	1001119872 411	1001120287..... 103
1001119173.....83, 107	1001119593..... 375, 385	1001119873 415	1001120288..... 103, 105
1001119176.....83, 85, 511	1001119594..... 375, 385	1001119874 419	1001120299..... 103, 105, 475
1001119194.....440, 447, 455	1001119595..... 375, 385	1001119875 397	1001120307..... 176, 181, 184, 189
1001119195.....444, 451, 459	1001119596..... 375, 385	1001119876 403	1001120328..... 333, 335, 339
1001119197.....440, 444, 448, 451, 455, 459	1001119597..... 375, 385	1001119877 409	1001120371.....259, 513
1001119228.....440, 444, 448, 452, 455, 459	1001119598..... 375, 385	1001119881 218, 222, 226, 230	1001120424.....384
1001119230.....107	1001119599..... 205, 213	1001119882 206, 210, 214	1001120425.....385
1001119232.....107, 109	1001119602..... 375, 385	1001119902 135, 137	1001120426.....385
1001119237.....374, 384	1001119603..... 375, 385	1001119919 483, 489	1001120427.....385
1001119268.....89	1001119604..... 375, 385	1001119920 485, 491	1001120428.....385
1001119277.....87	1001119605..... 375, 385	1001119921 487	1001120429.....385
1001119278.....87	1001119606..... 375, 385	1001119922 481	1001120430.....384, 386
1001119280.....87	1001119607..... 375, 385	1001119923 489	1001120431.....83, 85, 578
1001119324.....374, 384	1001119608..... 375, 385	1001119924 487	1001120450..... 143, 147, 177, 181, 185, 189
1001119365.....374, 384	1001119609..... 375, 385	1001119925 481	1001120454..... 143, 147
1001119369.....251, 255	1001119610..... 375, 385	1001119926 491	1001120466.....331
1001119370.....243, 251	1001119611..... 375, 385	1001119927 483	1001120474.....331
1001119371.....243	1001119612..... 375, 385	1001119928 485	1001120476.....331
1001119378.....582	1001119613..... 375, 385	1001119929 143, 147, 210, 214, 226, 230, 233, 237	1001120484.....331
1001119397.....582	1001119619..... 541	1001119930 143, 147	1001120749.....117
1001119398.....582	1001119620..... 539, 543	1001119937 443	1001120974.....247, 363
1001119399.....111	1001119626..... 375, 385	1001119953 443, 451, 459, 497	1001120976.....241, 243, 359
1001119404.....374, 384	1001119627..... 375, 385	1001119954 443, 451, 459, 501	1001121172.....471, 515
1001119406.....582	1001119630..... 375, 385	1001119955 429, 443, 451	1001121221.....375, 385
1001119449.....374, 384	1001119633..... 209, 217, 225	1001119956 433, 443, 451	1001121531..... 177, 181, 185, 189
1001119455.....374, 384	1001119634..... 205, 213, 221, 229	1001119962 582	1001121574.....509
1001119459.....582	1001119635..... 143, 147	1001119981 557, 559, 561, 563, 565, 567, 569, 571, 573	1001121678.....31
1001119489.....374, 384	1001119636..... 143, 147	1001119987 582	1001121719.....217
1001119494.....143, 147	1001119638..... 388	1001119988 583	1001121720.....205
1001119495.....143, 147	1001119640..... 143, 147	1001119989 582	
1001119496.....143, 147	1001119641..... 143, 147	1001120002 557	
1001119504.....263	1001119643..... 143, 147		
1001119513.....263	1001119644..... 143, 147		
1001119525.....374, 384	1001119649..... 143, 147		
1001119527.....67, 69, 83, 85, 263			
1001119546.....374, 384			
1001119547.....374, 384			

PART NUMBER INDEX

1001121721 221	1001136244..... 265, 269	1001147590..... 114	1001161434 125, 160
1001121801 557	1001137005..... 584	1001147642..... 143, 147, 177, 181, 184, 189	1001161709..... 302, 306, 310, 314, 318, 322
1001121803 567	1001137326..... 143, 147	1001147643..... 143, 147, 177, 181, 184, 189	1001166538 302, 306, 310, 314, 318, 322, 329
1001121805 573	1001137327..... 143, 147	1001148253..... 139, 142	1001166539..... 302, 306, 310, 314, 318, 322, 325
1001121808 569	1001137336..... 143, 147	1001148254..... 135, 137, 139	1001166667 285, 293, 301
1001121810 565	1001137337..... 129, 131	1001148255..... 129, 135	1001168210 351
1001121814 557	1001137367..... 135, 137	1001148256..... 131, 137	1001169768 388
1001121816 567	1001137369..... 129, 131	1001148660..... 233	1001169769 388
1001121818 573	1001137371..... 143, 147	1001148663..... 237	1001169770 388
1001121821 569	1001137397..... 129, 131	1001148902..... 583	1001169771 388
1001121823 565	1001137398..... 143, 147	1001148903..... 583	1001170981 177, 181, 185, 189
1001121918 571	1001137399..... 143, 147	1001148904..... 583	1001172045 583
1001121920 561	1001137400..... 143, 147	1001148905..... 583	1001172663 261
1001121921 571	1001137401..... 129, 131	1001148906..... 583	1001172760 302, 306, 310, 314, 318, 322
1001121923 561	1001137402..... 129, 131	1001148971..... 582	1001173703 575
1001121966 375, 385	1001137451..... 117, 121, 123, 125, 127	1001148975..... 143, 147	1001174486 135, 137
1001122527 245, 357	1001137452..... 121, 123, 125, 127	1001149144..... 105, 302, 310	1001176372 584
1001123004 249, 251, 353	1001137673..... 333, 335	1001149147..... 105	1001176469 109
1001123018 143, 147, 177, 181, 185, 189	1001138005..... 583	1001149379..... 177, 181, 185, 189	1001176938 160, 164
1001125108 375, 385	1001138494..... 277, 279	1001149565..... 584	1001177156 135, 137
1001125118 206, 210, 214, 218, 222, 226, 230	1001138514..... 277, 279	1001149752..... 584	1001182138 341
1001125235 241, 243	1001138752..... 79	1001150619..... 233	1001182689 109
1001125249 375, 385	1001138829..... 79	1001151393..... 111	1001185080 582
1001125283 79	1001139654..... 575	1001151649..... 583	1001185281 310, 314, 318, 322
1001125291 83, 85	1001139843..... 79	1001152457..... 238	1001186375 277
1001126009 545	1001140315..... 584	1001152458..... 234	1001186377 279
1001127091 582	1001140318..... 584	1001152544..... 583	1001186386 275
1001127115 55	1001140429..... 277, 279, 281	1001153015..... 61, 65	1001186387 273
1001127549 557, 559, 561, 563, 565, 567, 569, 571, 573	1001140524..... 440, 444, 448, 452, 456, 460, 465	1001153364..... 61	1001186431 318, 335, 521, 579
1001127588 557, 559, 561, 563, 565, 567, 569, 571, 573	1001140525..... 302, 306, 310, 314, 318, 322, 467	1001153814..... 237	1001186432 507, 521, 545
1001127703 375, 385	1001141300..... 575	1001154291..... 451	1001186517 333, 335
1001127705 375, 385	1001141710..... 83, 85	1001154292..... 447	1001186578 583
1001128214 176, 181, 184, 189	1001141967..... 529, 531	1001155044..... 302, 306, 310, 314, 318, 322	1001186891 310, 314, 521
1001128781 67, 69	1001141968..... 529	1001155045..... 302, 306, 310, 314, 318, 322	1001187356 584
1001128782 67, 69	1001141971..... 529	1001155381..... 455	1001187508 333
1001128798 73	1001142683..... 91, 93, 95, 97, 99, 101, 579	1001155382..... 459	1001187674 337
1001128799 75, 77	1001142736..... 91, 93, 95, 97, 99, 101, 547	1001156351..... 452	1001187681 541
1001128801 135, 137	1001143431..... 91	1001156352..... 452	1001188036 85, 109
1001128888 177, 181, 185, 189	1001144433..... 310, 314, 318, 335	1001156819..... 135, 137	1001188057 109
1001128931 135, 137	1001144629..... 273, 275	1001156823..... 135, 137	1001188093 85, 471
1001128936 135, 137	1001145804..... 285	1001157310..... 437, 455, 459	1001188094 85, 505
1001129043 75, 77	1001145805..... 293, 302	1001157311..... 435, 455, 459	1001188322 425
1001129255 135, 137	1001146824..... 114	1001157915..... 234, 238	1001188446 578
1001129256 135, 137	1001147141..... 233	1001157916..... 234, 238, 479	1001188622 261
1001129407 511	1001147233..... 233, 237	1001157918..... 583	1001188844 261
1001129555 578	1001147234..... 233, 237	1001157966..... 176, 184, 191	1001188889 333
1001130492 563	1001147365..... 143, 147, 177, 181, 185, 189	1001159027..... 91, 93, 97, 99, 549	1001190017 310
1001130588 393	1001147431..... 233, 237	1001159256..... 302, 306, 310, 314, 318, 322	1001190079 287
1001131168 302, 306, 310, 314, 318, 322	1001147436..... 237	1001159301..... 152, 156	1001190080 295
1001131269 557, 567	1001147440..... 117	1001160531..... 65	1001190081 287, 295, 309
1001131968 435, 437	1001147441..... 114, 117	1001161431..... 167, 176	1001190775 143, 147, 583
1001132732 582	1001147468..... 171, 184	1001161432..... 152, 160, 167	1001190985 261
1001133067 583	1001147469..... 156, 164, 171	1001161433..... 121, 152	1001191346 91
1001133070 583	1001147470..... 123, 156		1001191708 341
1001136231 472, 516	1001147471..... 127, 164		1001191942 85
1001136232 472, 509, 516			

PART NUMBER INDEX

1001193018.....397, 399, 403, 405, 407, 409, 411, 413, 415, 417, 419, 421, 423	1001214571 553	1001236552 339	1320274.... 152, 156, 160, 164
1001193629.....583	1001216630 261	1001236951 583	1321283..... 135, 137
1001194197 413	1001217029 318, 322, 523	1001237862 539, 543	1321293..... 83, 85
1001194198 417	1001217227 261	1001237863 337, 543	1321682.... 142, 146, 176, 180, 184, 188
1001194200 421	1001217228 261	1001237864 337, 539	132171683, 85, 142, 146, 176, 180, 184, 188, 374, 384
1001194203 399	1001217242 261	1001237865 337, 541	1340069.... 142, 147, 176, 180, 184, 188
1001194204 405	1001217243 261	1001237878 553	1380136..... 55
1001194365 423	1001217244 261	1001237879 553	1580011..... 142, 146
1001194741 147	1001217250 261	1001237880 553	1580012..... 283
1001195160 388	1001217253 261	1001237881 553	1600387..... 259
1001195234 139, 146	1001217254 261	1001237999 181, 189, 195	1670603..... 423
1001195304 584	1001217267 261	1001238001 169, 180	1670829..... 107, 109
1001196242 81	1001218067 289, 297, 317	1001238002 173, 188	1670899.... 439, 443, 447, 451, 455, 459
1001197067 97	1001218068 318, 322	1001238004 152, 160, 169	1671092.... 440, 444, 448, 456, 460
1001197408 575	1001219694 584	1001238005 156, 164, 173	1671093.... 440, 444, 448, 456, 460
1001199306 353, 363	1001220486 305, 313	1001238319 337	1671176.... 301, 305, 309, 313, 317, 321
1001199460 353	1001220655 289	1001238418 339, 545	1701435..... 563
1001199461 363	1001220666 297	1001238472 339	1701499.... 557, 559, 561, 563, 565, 567, 569, 571, 573
1001200472 55	1001223055 557	1001238477 339	1701500.... 557, 559, 561, 563, 565, 567, 569, 571, 573
1001200491 261	1001223453 557, 567	1001238495 335	1701504.... 557, 559, 561, 563, 565, 567, 569, 571, 573
1001200575 302, 310	1001224048 571	1001238559 339	1701505..... 67
1001200910 93, 95	1001224049 573	1001238824 339	1701509.... 557, 559, 561, 563, 565, 567, 569, 571, 573
1001201886 306	1001224050 565	1001239566 584	1701517..... 559, 563
1001201887 314	1001224052 561	1001239803 49	1701518..... 559, 563
1001202566 287, 295, 313	1001224053 569	1001239804 49	1701529.... 557, 559, 561, 563, 565, 567, 569, 571, 573
1001202568 285, 293, 305	1001224891 263	1001241332 583	1701542..... 69
1001203719 83, 85	1001225346 553	1001241338 583	1701543..... 81
1001204448 583	1001225580 318, 335, 507	1001241965 339	1701642.... 557, 559, 561, 563, 565, 567, 569, 571, 573
1001204461 583	1001225990 241, 243, 351	1001242838 291	1702300.... 557, 559, 561, 563, 565, 567, 569, 571, 573
1001205175 584	1001226400 495, 497, 499, 501	1001242839 299	1702391..... 557
1001205441 583	1001226530 553	1001242844 291, 299, 321	1702565.... 301, 305, 309, 313, 317, 321
1001205958 413, 417, 421	1001226572 281	1001242849 95	1702566.... 301, 305, 309, 313, 317, 321
1001206476 553	1001226872 582	1001242850 101	1702567.... 301, 305, 309, 313, 317, 321
1001206737 582	1001227454 582	1001246486 582	1702676.... 301, 305, 309, 313, 317, 321
1001207004 99, 101	1001227633 337	1001246487 582	1702773..... 563, 575
1001207138 584	1001227634 337	1060379 343	1702774..... 575
1001207139 93	1001227634 337	1060908 469	1702860..... 575
1001207140 584	1001227985 337	1060918 ... 285, 287, 289, 291, 293, 295, 297, 299	1702868..... 557
1001207227 93, 95, 99, 101	1001227987 337	10837580 57, 363	1702961..... 575
1001207313 97	1001227996 539, 543	1120552 41, 45	1702962..... 575
1001208874 55	1001228215 281	1271538 259	
1001209059 584	1001228224 337	1320012 ... 142, 146, 176, 180, 184, 188	
1001209658 583	1001228225 337	1320016 142, 146	
1001209659 583	1001228627 261	1320022 ... 135, 137, 142, 146, 152, 156, 160, 164	
1001209664 333, 335	1001228956 582	1320026 135, 137	
1001209878 99	1001229107 582	1320041 443	
1001210034 584	1001229341 337	1320043 ... 152, 156, 160, 164, 393, 397, 403, 407, 409, 411, 415, 419, 425, 439, 481, 487	
1001210035 584	1001231153 245	1320130 ... 439, 443, 447, 451, 455, 459	
1001210829 55	1001231609 47, 49	1320136 ... 103, 105, 259, 261	
1001211509 69, 77	1001231610 47, 49	1320220 81	
1001212415 578	1001231611 47	1320223 87, 143, 146, 177, 180, 185, 188, 553	
1001213447 523	1001231653 47	1320224 259	
1001213882 318, 322	1001231801 575	1320263 447, 451	
1001214030 575	1001232164 337		
1001214397 553	1001232165 337		
1001214478 584	1001232642 339		
1001214515 584	1001232650 339		
1001214552 584	1001232667 339		
1001214559 584	1001233237 582		
1001214570 553	1001234099 582		
	1001235011 339		
	1001235013 339		
	1001236338 575		

PART NUMBER INDEX

1703162 ... 143, 146, 177, 180, 185, 188	1705903 561	2300004.... 135, 152, 156, 583	3251102... 205, 209, 213, 217, 221, 225, 229, 233, 237
1703797 557	1705910 573	2300014.....583	3251242... 233, 405, 413, 417, 421, 423
1703798 557	1705917 573	2300016.....583	3251243 237, 391, 395
1703804 557	1705921 559, 563	2300019.....583	3251813 575
1703805 557	1705961 559, 563	2300029.....583	3252347 557
1703923 573	1705968 565	2300039.....583	3252507... 393, 401, 403, 407, 409, 411, 415, 419, 425
1703924 567	1705969 571	2300040.....583	3272605 259
1703925 565	1705978 559, 563	2300041.... 137, 160, 164, 583	3290405. 83, 85, 89, 285, 287, 289, 291, 293, 295, 297, 299, 397, 399, 403, 405, 407, 409, 411, 413, 415, 417, 419, 421, 423, 439, 443, 447, 451, 455, 459
1703926 569	1706059 575	2400065.....578	3290505... 107, 109, 114, 117, 119, 205, 209, 213, 217, 221, 225, 229, 233, 237
1703927 571	1706060 575	2400066..... 472, 516	3290601 83, 85
1703928 561	1706061 575	2420172.....107	3290605... 55, 83, 85, 87, 103, 105, 114, 117, 119, 129, 131, 135, 137, 142, 146, 152, 156, 160, 164, 176, 180, 184, 188, 205, 209, 213, 217, 221, 225, 229, 261, 285, 287, 289, 291, 293, 295, 297, 299, 375, 385, 393, 397, 403, 407, 409, 411, 415, 419, 425, 439, 443, 447, 451, 455, 459, 557, 559, 561, 563, 565, 567, 569, 571, 573
1703935 573	1706062 575	2420202.....259	3290606 277, 279
1703936 567	1706063 575	2420203.....209, 217, 225	3290607... 91, 93, 95, 97, 99, 101
1703937 565	1706064 575	2420204.....209, 217, 225	3290805 83, 85, 142, 146, 152, 156, 160, 164, 249, 251, 439, 443, 447, 451, 455, 459, 553
1703938 569	1706098 575	2460049.....209, 217, 225	3290807... 177, 180, 185, 188
1703939 571	1706510 343	2540045.... 152, 156, 160, 164	3291001 261
1703940 561	1706846 ... 39, 41, 43, 45, 47	2560122.....55	3291005... 55, 67, 69, 83, 85, 87, 114, 142, 146, 176, 180, 184, 188, 205, 209, 213, 217, 221, 225, 229, 241, 243, 245, 249, 251, 257, 261, 285, 287, 289, 291, 293, 295, 297, 299, 374, 384, 439, 443, 447, 451, 455, 459, 553
1703941 573	2080040 ... 117, 121, 123, 125, 127, 129, 131, 273, 275, 331	2600281.....273, 275	3291201 261
1703942 567	2080057 ... 557, 559, 561, 563, 565, 567, 569, 571, 573	260305.....578	3291205... 142, 146, 176, 180, 184, 188, 205, 209, 213, 217, 221,
1703943 565	2110808 374, 384	2720058.... 142, 146, 152, 156, 160, 164	
1703944 569	2110810 375, 385	2720175.....81	
1703945 571	2131216 374, 384	2720271.... 142, 146, 152, 156, 160, 164	
1703947 573	2180348 ... 135, 137, 152, 156, 160, 164	2720615..... 142, 146	
1703948 567	2180387 81	2760105..... 107, 109	
1703949 565	2180389 81	2820019.... 519, 521, 523	
1703950 569	2180504 81	2820030..... 511, 513	
1703951 571	2180666 ... 152, 156, 160, 164	2820031.... 205, 209, 213, 217, 221, 225, 229, 233, 237, 440, 444, 448, 452, 456, 460	
1703952 561	2220124 59, 61	2820118.... 495, 497, 499, 501, 519, 521, 523	
1703953 557	2220290 81	2820247..... 539, 543	
1703980 569	2220365 374, 384	2860030..... 111, 578	
1703981 571	2220366 374, 384	2900770.... 253, 349, 351, 353, 363	
1703982 565	2220371 374, 384	2901443.....584	
1703983 573	2220373 374, 384	2902203..... 41, 45, 583	
1703984 567	2220374 374, 384	2902549.... 393, 397, 403, 407, 409, 411, 415, 419, 425, 469	
1703985 561	2220415 374, 384	2920028.... 309, 313, 317, 321	
1704000 567	2220451 374, 384	2920029.... 309, 313, 317, 321	
1704001 573	2220466 374, 384	2920110..... 105	
1704002 561	2220468 374, 384	2920113..... 105	
1704260 ... 301, 305, 309, 313, 317, 321	2220472 374, 384	2920129..... 83, 85	
1704277 ... 557, 559, 561, 563, 565, 567, 569, 571, 573	2220473 374, 384	2920154.... 301, 305, 309, 313, 317, 321	
1704412 ... 557, 559, 561, 563, 565, 567, 569, 571, 573	2220499 374, 384	2920157..... 103	
1704885 575	2220500 375, 385	2920161..... 89	
1704972 575	2220501 374, 384	2920162.... 205, 209, 213, 217, 221, 225, 229	
1705170 ... 103, 105, 302, 310	2220502 374, 384	2940074.... 273, 275, 578	
1705325 397, 399	2220507 374, 384	2940109..... 117, 119	
1705344 569	2220582 374, 384	3020008..... 23	
1705345 571	2220605 375, 385	3020029..... 15	
1705347 567	2220635 375, 385	3200378..... 142, 146	
1705348 565	2220819 374, 384	3200425.... 143, 146, 184, 188	
1705349 561	2220828 374, 384		
1705351 557	2220881 347		
1705387 237	2220883 347, 351		
1705426 569	2220885 347		
1705427 571	2220940 375, 385		
1705429 567	2220947 374, 384		
1705430 565	2221041 374, 384		
1705489 233	2221053 374, 384		
1705514 557, 567	2221060 374, 384		
1705822 559, 563	2221086 374, 384		
1705828 559, 563			

PART NUMBER INDEX

225, 229, 241, 243, 257, 259, 261	3760115 247	4360331 578	4460418.... 503, 505, 519, 521, 523
3291605.... 135, 137, 152, 156, 160, 164, 259	3780182 15	4360336 ... 205, 209, 213, 217, 221, 225, 229, 233, 237, 293, 295, 297, 299, 302, 578, 579	4460419.... 503, 505, 519, 521, 523
3292001... 93, 95, 99, 101	3790012 ... 301, 305, 309, 313, 317, 321	4360387 ... 109, 301, 305, 309, 313, 317, 321, 578	4460428.... 259, 301, 305, 309, 313, 317, 321, 331
3300106.... 31, 33, 35, 37, 39, 41, 43, 45, 47, 49	3790152 ... 139, 167, 169, 171, 173	4360407 ... 301, 305, 309, 313, 317, 321, 578	4460434.... 519, 521, 523
3300151 277, 279, 281	3820019 55	4360469 111, 578	4460445..... 477
3300430 333, 335, 341	3820020 273, 275	4360470 578	4460464.... 285, 287, 289, 291, 293, 295, 297, 299, 331, 463, 467, 471, 472, 499, 501, 503, 505, 507, 511, 515, 516, 519, 521, 523, 545, 547, 549, 551
3311005 91, 97, 105, 233, 237, 301, 305, 309, 313, 317, 321, 331	3820032 67, 69, 87	4360475 ... 107, 109, 301, 305, 309, 313, 317, 321, 578	4460465..... 89, 463, 465, 467, 471, 475, 477, 479, 495, 497, 499, 501, 503, 505, 507, 509, 513, 515, 523, 547, 549, 551
3311405.... 177, 180, 185, 188, 234, 339, 399, 405, 413, 417, 421, 423	3841143 ... 241, 243, 245, 261	4360522 ... 103, 105, 302, 310, 578	4460466.... 301, 305, 309, 313, 317, 321, 337, 463, 465, 467, 471, 479, 495, 497, 499, 501, 503, 505, 507, 509, 513, 515, 519, 521, 523, 541, 545, 547, 551
3311505..... 343	3841203 241, 243, 245	4360548 ... 439, 443, 463, 578	4460467..... 584
3311508..... 233, 237	3841258 17, 245	4400498 192, 196	4460470.... 301, 305, 309, 313, 317, 321
3311601.... 302, 306, 310, 314, 318, 322, 339	3841520 15	4420051 575	4460471.... 301, 305, 309, 313, 317, 321
3311605.... 142, 146, 176, 180, 184, 188	3900085 ... 93, 95, 99, 101	4420062 343	4460473.... 440, 444, 448, 452, 456, 460, 495, 497, 499, 501
3321402.... 176, 180, 184, 188	3900349 317, 321	4460016 521, 523	4460474..... 475, 509
3340758..... 245	3910606 238	4460019 475	4460488... 93, 95, 99, 101, 301, 305, 309, 313, 317, 321
3340860..... 249, 251	3910804 111	4460042 509	4460496..... 83, 85
3340901.... 440, 444, 448, 452, 456, 460	3911012 91, 97	4460043 509	4460497..... 83, 85
3340939.... 439, 443, 447, 451, 455, 459	3911018 ... 301, 305, 309, 313, 317, 321	4460071 ... 238, 285, 287, 289, 291, 293, 295, 297, 299, 395, 401	4460508.... 337, 467, 471, 499, 501, 515, 519, 521, 523
3380434.... 285, 287, 289, 291, 293, 295, 297, 299	3911036 105	4460121 105, 393, 477	4460509.... 495, 497, 499, 501, 503, 505
3422576..... 241, 243	3931010 331	4460125 401	4460510..... 584
3422582..... 241, 243	3931016 233, 237	4460134 483, 489	4460518..... 547
3422592..... 17	3931408 333, 335	4460142 503, 505, 509	4460536..... 521, 523
3422661 343	3931424 333	4460183 503, 505	4460539.... 503, 505, 521, 523, 551
3422709..... 241, 243	3931832 59, 61	4460205 ... 395, 483, 487, 489	4460634..... 503, 505
3422745..... 247	3960422 238, 395, 401	4460213 519, 521	4460635..... 503, 505
3422787 245	3960464... 135, 137, 142, 146, 152, 156, 160, 164, 176, 180, 184, 188	4460224 ... 301, 305, 309, 313, 317, 321	4460662.... 411, 413, 417, 419, 421, 423
3422788..... 245	3990013 545	4460225 ... 477, 479, 519, 521, 523	4460705..... 477
3422790..... 241, 243	4010618 277, 279	4460226 ... 285, 287, 289, 291, 293, 295, 297, 299, 301, 305, 309, 313, 317, 321, 326, 329, 519, 521, 523	4460708.... 301, 305, 309, 313, 317, 321
3422791 249, 251	4031505 337	4460227 ... 471, 515, 519, 521, 523	4460709.... 448, 481, 485, 491
3422792..... 241, 243	4031510 ... 439, 443, 447, 451, 455, 459	4460233 401	4460710.... 448, 485, 491
3422814..... 241, 243	4031512 83, 85, 439, 443, 447, 451, 455, 459	4460234 ... 301, 305, 309, 313, 317, 321	4460742..... 477
3423081..... 15	4031516 339	4460256 475, 509	4460743..... 477
3430616.... 306, 314, 318, 322	4031707 ... 176, 180, 184, 188	4460259 ... 467, 503, 505, 519, 521, 523	4460746..... 509
3470003.... 302, 306, 310, 314, 318, 322	4060092 401	4460260 ... 467, 503, 505, 519, 521, 523	
3520028.... 205, 209, 213, 217, 221, 225, 229, 301, 305, 309, 313, 317, 321	4060802 ... 205, 209, 213, 217, 221, 225, 229, 233, 237	4460265 326, 329	
3520030..... 114, 119	4060804 261	4460267 477	
3520033..... 305, 313	4060805 261	4460268 477, 479	
3520035..... 305	4060808 ... 439, 443, 447, 451, 455, 459	4460313 493, 503, 505	
3520054..... 317, 321	4060906 107, 109	4460315 395, 401	
3520072.... 273, 275, 277, 279, 281	4061054 259	4460346 238, 395	
3520182..... 341	4070897 247	4460384 423	
3520198.... 273, 275, 277, 279, 281	4100066 375, 385		
3572551 249, 251	4120035 503, 505		
3580317 233, 237	4240018 ... 374, 384, 439, 443, 447, 451, 455, 459		
3580318 237	4240032 ... 89, 93, 95, 99, 101, 103, 105, 317, 321		
3580319 233	4240033 83, 85, 103, 105, 135, 137, 259, 333, 335, 337, 339		
3740080.... 103, 105, 578	4240099 331		
3740086..... 545	4240156 ... 439, 443, 447, 451, 455, 459		
	4360328 107, 109, 578		
	4360330 578		

PART NUMBER INDEX

4460761 ... 471, 515, 519, 521, 523	4460968 ... 397, 399, 403, 405, 407, 409, 411, 415, 419, 463	4740540.....15	4891500 ... 205, 209, 213, 217, 221, 225, 229
4460806 ... 413, 417, 477, 503, 505	4460970 ... 463, 519, 521, 523	4751000..93, 95, 99, 101, 105, 233, 237, 331	4891600 ... 139, 167, 169, 171, 173, 257, 259, 261
4460836 471, 513	4460972 477	4751400....283, 291, 299, 301, 305, 309, 313, 317, 321, 341	4891800 ... 139, 167, 169, 171, 173
4460837 471, 515	4460973 477	4751500.....233, 237, 343	4922641 ... 205, 209, 213, 217, 221, 225, 229, 233, 237
4460844 507	4460974 477	4761400....177, 180, 185, 188, 283	4923463 429, 433
4460865 ... 439, 443, 447, 451, 455, 459, 495, 497, 499, 501	4460979 471, 515	4791400.....233, 237	4923505 ... 427, 431, 481, 483, 485, 487, 489, 491
4460866 ... 439, 443, 447, 451, 455, 459, 471, 515, 519, 521, 523	4461012 ... 285, 287, 289, 291, 293, 295, 297, 299	481140083, 85, 285, 287, 289, 291, 293, 295, 297, 299, 397, 399, 403, 405, 407, 409, 411, 413, 415, 417, 419, 421, 423, 439, 443, 447, 451, 455, 459	5221000 263
4460868 505	4461070 547	4811600....114, 117, 119, 233, 237	5240600 114
4460871 ... 471, 503, 505, 515, 519, 521, 523, 551	4461077 541, 545	4811700....55, 83, 85, 91, 93, 95, 97, 99, 101, 117, 119, 129, 131, 142, 146, 176, 180, 184, 188, 259, 261, 277, 279, 375, 385, 393, 397, 403, 407, 409, 411, 415, 419, 425, 439, 443, 557, 559, 561, 563, 565, 567, 569, 571, 573	5240800 233, 237
4460872 551	4461095 509, 547	481702.....87, 205, 209, 213, 217, 221, 225, 229, 261, 285, 287, 289, 293, 295, 297, 440, 444, 448, 452, 456, 460	5241000 17, 23
4460873 ... 471, 515, 519, 521, 523	4461109 509	481900.....81, 142, 146, 152, 156, 160, 164, 177, 180, 185, 188, 233, 237, 259, 439, 443, 447, 451, 455, 459, 553	5241200 ... 247, 257, 259, 261
4460874 ... 471, 515, 519, 521, 523	4461110 472, 516	481902.....55, 247, 249, 251	5241400 59, 61
4460875 ... 519, 521, 523, 551	4461112 ... 472, 493, 516	481200055, 87, 114, 135, 137, 142, 146, 152, 156, 160, 164, 176, 180, 184, 188, 205, 209, 213, 217, 221, 225, 229, 233, 237, 241, 243, 245, 257, 261, 263, 291, 299, 439, 443, 447, 451, 455, 459, 553	5241600 23, 259
4460876 503, 505	4461113 ... 472, 493, 509, 516	481200267, 69, 265, 285, 287, 289, 293, 295, 297	5250608 142, 146
4460877 505	4461157 471, 515	4812100.....15, 142, 146, 176, 180, 184, 188, 261	5250808 265
4460878 471, 515	4461196 525	481210267, 69, 135, 137, 152, 156, 160, 164, 205, 209, 213, 217, 221, 225, 229	525081051, 55, 265, 375, 385
4460879 ... 519, 521, 523	4461198 399, 525	4812300.....114, 259	5250812 142, 146, 265
4460884 ... 471, 503, 505, 515, 521	4461199 527	4812500....135, 137, 152, 156, 160, 164	5251008 261
4460887 ... 471, 515, 519, 521, 523	4461201 405, 527	4845582.....343	5251010 19, 241, 243, 247
4460888 519, 521, 523	4461202 529, 533	4846608.....257, 259	5251012 17, 135, 137, 152, 156, 160, 164, 247
4460891 89, 463, 465, 471, 475, 509, 515, 547, 549, 551	4461205 ... 529, 531, 533, 535		5251016 261
4460892 471, 515	4461222 ... 472, 493, 509, 516		5260800 ... 439, 443, 447, 451, 455, 459
4460894 ... 463, 465, 471, 515, 523	4461231 ... 143, 147, 177, 181, 185, 189		5281920 ... 439, 443, 447, 451, 455, 459
4460897 ... 472, 516, 549	4461232 ... 143, 147, 177, 181, 185, 189		70000088 63
4460899 ... 467, 472, 507, 515, 541, 545	4461244 413, 533		70000089 63
4460905 ... 471, 503, 505, 515, 521, 523, 551	4461245 417, 535		70000122 .. 209, 217, 225
4460910 539	4461246 421, 537		70000123. 205, 213, 221, 229
4460911 541	4461249 537		70000124. 205, 213, 221, 229
4460928 547	4520605 35, 39, 41		70000125. 205, 213, 221, 229
4460930 471, 515	4640113 ... 35, 37, 39, 41, 43, 45, 47, 49		70000126. 205, 213, 221, 229
4460931 551	4640858 347		70000341 253
4460932 ... 331, 471, 515, 521	4641284 375, 385		70000681 65
4460933 ... 301, 305, 309, 313, 317, 321, 513, 515, 519, 521, 523, 547, 551	4711000 91, 97		70000781 21
4460941 541	4711400 ... 234, 277, 279, 281, 333, 335, 339, 341, 399, 405, 413, 417, 421, 423		70001119 27
4460942 337	4711500 302		70001140 191, 195
4460943 ... 93, 95, 97, 99, 101, 471, 503, 505, 515, 519, 521, 523, 541	4711600 ... 233, 237, 306, 314, 318, 322		70001368 27
4460944 ... 471, 503, 505, 509, 513, 515, 519, 521, 523	4711800 142, 146		70001697 253, 255
4460945 471, 503, 505	4740086 15		70001934 191, 195
4460956 469	4740158 17		70001935 191, 195
4460957 469	4740171 59, 61		70001958 199
4460962 435	4740274 ... 142, 146, 176, 180, 184, 188		70001966 233, 237
4460963 437	4740362 ... 129, 131, 143, 146, 285, 287, 289, 291, 293, 295, 297, 299		70001977 578
	4740397 ... 205, 209, 213, 217, 221, 225, 229, 233, 237, 301, 305, 309, 313, 317, 321		70001996 263, 578
	4740537 15		70001998 263
	4740538 15		70002063 21
	4740539 15		70002112 71
			70002132 199
			70002133 199
			70002134 199
			70002135 199
			70002136 200

PART NUMBER INDEX

70002137.....199	70002337..... 357, 361	70002902 . 285, 287, 289, 291, 293, 295, 297, 299	70003062.....191, 195
70002138.....199	70002344..... 355	70002903 . 285, 287, 289, 291, 293, 295, 297, 299	70003063.....191, 195
70002139.....199	70002352.. 349, 359, 363	70002904 . 285, 287, 289, 291, 293, 295, 297, 299	70003064.....191, 195
70002140.....199	70002354..... 359	70002905 . 285, 287, 289, 291, 293, 295, 297, 299	70003066.....192, 196
70002141.....199	70002357..... 349	70002954..... 269	70003067.....192, 196
70002142.....199	70002364..... 363	70002955..... 21	70003068..217, 221, 225, 229
70002145.....200	70002366. 349, 351, 359, 363	70002956..... 21	70003069..205, 209, 213, 217, 221, 225, 229
70002146.....200	70002372..... 353	70002957..... 21	70003070...205, 209, 213
70002147.....199	70002373..... 353	70002958..... 21	70003071.....357
70002148.....199	70002375..... 353	70002959..... 21	70003072.....357
70002149.....200, 578	70002380..... 361	70002960..... 21	70003073.....357
70002150.....199	70002386 21, 55, 57, 267, 353, 355, 357, 578	70002961..... 21	70003074.....357
70002151.....199	70002388..... 349	70002962..... 21	70003075.....357
70002152.....199	70002389..... 363	70002963 ... 21, 269, 578	70003076...353, 355, 357
70002153.....199	70002410..... 357	70002964..... 57	70003077.....357, 361
70002154.....199	70002412..... 355	70002965..... 57	70003078.....357, 361
70002155.....199	70002413..... 349, 351	70002966..... 57	70003079.....357, 361
70002156.....199	70002577..... 203	70002967..... 57	70003080.....357, 361
70002157.....199	70002601..... 199	70002968..... 57	70003081..349, 351, 357, 359
70002158.....199	70002603..... 199	70002969..... 57	70003082.....355, 357
70002159.....199	70002643..... 65	70002970..... 57	70003083.....355, 357
70002160.....199	70002644..... 65	70002971..... 57, 578	70003084.....359
70002161.....199	70002645..... 65	70002972..... 57, 578	70003085...349, 351, 359
70002163.....199	70002646..... 65	70002973..... 57	70003086.....359
70002164.....199	70002647..... 65	70002974..... 57	70003088.....359
70002165.....199, 200	70002648..... 65	70002976..... 57	70003089..349, 351, 359, 363
70002166.....199	70002649..... 65	70002977..... 57	70003090..349, 351, 359, 363
70002168.....199	70002650..... 65	70002978..... 21	70003091..349, 351, 359, 363
70002169.....199	70002651..... 65	70002979 .. 142, 147, 578	70003092..349, 351, 359, 363
70002170.....199	70002652..... 65	70002980..... 28	70003093..349, 351, 353, 359
70002172.....199	70002656..... 65	70002981..... 28	70003094..349, 351, 353, 359
70002174.....200	70002657..... 65	70002982..... 28	70003095.....361
70002175.....200	70002658..... 65	70002983..... 27	70003096.....361
70002176.....200	70002659..... 65	70002984..... 27	70003097.....361
70002177.....200	70002661..... 65	70002985..... 27	70003098.....361
70002178.....200	70002663..... 65	70002986..... 27	70003099.....361
70002179.....200	70002664..... 65	70002987..... 27	70003100.....361
70002180.....200	70002665..... 65	70002988..... 27	70003101.....361
70002181.....200	70002666..... 65	70002989..... 27	70003102.....361
70002185.....200	70002667..... 65	70002990..... 27	70003103.....355
70002186.....200	70002668..... 65	70002991..... 27	70003104.....355
70002187.....200	70002669..... 65	70002992..... 27	70003105.....355
70002191.....200	70002670..... 65	70002993..... 27	70003106.....355
70002192.....200	70002671..... 65	70002994..... 27	70003108.....355
70002237..205, 209, 213, 217, 221, 225, 229	70002681..... 28	70002995..... 27	70003109.....355
70002238..205, 213, 221, 229	70002682..... 347	70002996..... 27	70003110.....355
70002240...209, 217, 225	70002812..... 71, 578	70002997..... 28	70003111.....355
70002311.....63	70002818..... 71	70002998..... 28	70003112.....355
70002312.....63	70002838..... 71	70002999..... 27	70003113.....355
70002313.....63	70002839..... 71	70003000..... 27	70003114.....363
70002315.....191, 195	70002840..... 71	70003005..... 25	70003115.....363
70002316.....191, 195	70002842..... 347	70003006..... 25	70003116.....363
70002317.....191, 195	70002860..... 203	70003007..... 25	70003117.....363
70002318.....191, 195	70002861..... 203	70003008..... 25	70003118.....353, 363
70002319.....191, 195	70002862..... 203	70003009..... 25	70003119.....363
70002320.....191, 195	70002863..... 199	70003010..... 25	70003120.....363
70002321.....191, 195	70002864..... 200	70003011..... 25	70003121.....363
70002322.....191, 195	70002865..... 200	70003012..... 25	70003122.....353
70002323.....191, 195	70002866..... 200	70003013..... 25	
70002327.....192, 196	70002867..... 200	70003014..... 25	
70002328.....192, 196	70002868..... 200	70003016..... 25	
70002330.....192, 196	70002899. 143, 147, 176, 181, 184, 189	70003060..... 191, 195	
70002334...353, 355, 357	70002900. 152, 156, 160, 164, 578	70003061..... 191, 195	
70002335..349, 351, 353, 355, 357, 359, 363	70002901. 152, 156, 160, 164		

PART NUMBER INDEX

70003123	353	70004747	329	7012967.....	55, 267, 269, 353, 355, 357	7023141	191, 195
70003124	353	70004748	329	7012998.....	57, 269	7023144	191, 195
70003125	353	70004749	329	7015004....	142, 147, 176, 180, 184, 188, 578	7023145	191, 195
70003126	353	70004750	329	7015005....	142, 147, 176, 180, 184, 188	7023148	192, 196
70003127	353	70004751	329	7016319.....	89	7023149	192, 196
70003128	353	70004752	325	7016372.....	89	7023154	191, 195
70003129	353	70004753	325	7016628.....	105	7023156	191, 195
70003130	353	70004754	325	7016654.....	584	7023157	191, 195
70003131	349, 351	70004755	325	7016655.....	584	7023160	191, 195
70003132	349, 351	70004756	325	7017022.....	28	7023162	191, 195
70003133	349, 351	70004757	325	7017120.....	253	7023163	191, 195
70003134	349, 351	70004758	325	7017121.....	253	7023164	191, 195
70003137 ..	209, 217, 225	70004759	325	7017122.....	253, 255	7023165	191, 195
70003138	65	70004760	325	7017123.....	253, 255	7023167	191, 195
70003139	65	70004761	325	7017126.....	253, 255	7023168	191, 195
70003141	65	70004762	325	7017127.....	253	7023170	192, 196
70003142	65	70004763	325	7017172.....	253, 255	7023964	200
70003178 ..	142, 147, 578	70004764	325	7017192.....	253, 255	7023970	267
70003179	142, 147	70004765	325	7017196.....	253, 255	7024108	28
70003453	353	70004766	325	7017402.....	267, 269	7024134	28
70003708	233, 237	70004767	325	7017406.....	21, 57	7024379	63
70003709	233, 237	70004768	325	7017427.....	269	7024380	63
70003757	57	70004769	325	7017452.....	267, 269	7024381	63
70003784 ..	301, 305, 309, 313, 317, 321	70004770	325	7017467.....	55	7024389	63
70003788	57, 578	70004771	325	7017496..	21, 55, 57, 353, 355, 357	7024390	63
70004092	233, 237	70004772	325	7017498.....	269	7024441	71
70004098	238	70004773	325	7017901.....	191, 195	7024452	103
70004099	233, 237	70004774	325	7017911.....	191, 195	7024453	63
70004311	191, 195	70004775	325	7017923.....	578	7024738	27
70004322	255	70005220	192, 196	7017934.....	191, 195	7024741	27
70004323	253, 255	70005695	351	7017945.....	191, 195	7024742	27
70004395	191, 195	70005722	55	7017954.....	191, 195	7024744	28
70004396	191, 195	70005973	351	7017955.....	191, 195	7024844	21
70004397	191, 195	70005974	351	7017963.....	192, 196	7024884	353, 355, 357
70004398	191, 195	70006269	263	7020108....	205, 209, 213, 217, 221, 225, 229	7025479	191, 195
70004399	191, 195	70006280	263	7020109....	205, 209, 213, 217, 221, 225, 229	7026041	65
70004400	191, 195	70006353	351	7020110....	205, 209, 213, 217, 221, 225, 229	7026048	65
70004401	192, 196	70006434	582	7020111....	205, 209, 213, 217, 221, 225, 229	7026049	65
70004524	192, 196	70006435	584	7020152....	209, 217, 225	7026052	65
70004536	192, 196	70010383	55, 578	7020175....	107, 109, 301, 305, 309, 313, 317, 321	7026525	209, 217, 225
70004537	192, 196	7001913	27	7020176....	107, 109, 301, 305, 309, 313, 317, 321	7027350	65
70004538	192, 196	70022565	355	7020190....	205, 209, 213, 217, 221, 225, 229	7027351	65
70004539	192, 196	70023370 ..	349, 353, 355, 357, 363	7020192....	205, 213, 221, 229	7027352	65
70004541	192, 196	70023371	359	7021275.....	199	7027353	65
70004542	192, 196	7002821	584	7021653.....	57	7027359	65
70004543	192, 196	7002822	584	70222301.....	200	7027887 ...	205, 209, 213, 217, 221, 225, 229
70004544	191, 195	7002823	584	7022301.....	199	7027900	253, 255
70004676	233, 237	7002826	584	7022326.....	192, 196	7027901	253, 255
70004678	233, 237	7004035	63	7022340.....	200	7027955	25
70004679	234, 237	7004043	63	7023124.....	192, 196	7027956	25
70004682	234, 238	7004044	63	7023132.....	191, 195	7027957	25
70004683	234	7004275	584	7023134....	177, 181, 185, 189	7027958	25
70004688	233	7004276	584	7023136.....	191, 195	7027959	25
70004689	234, 238	7007415	200	7023139.....	191, 195	7027972	142, 147
70004690	234	7007439	199, 200			7028909 ..	93, 95, 97, 99, 101
70004691	237	7007446	199			77133089.....	374, 384
70004692	238	7007640	27			77363233.....	479
70004738	329	7010543 ..	21, 57, 267, 363			8007941	25
70004739	329	7011323	253			80233041	375, 385
70004740	329	7012513 ...	205, 209, 213, 217, 221, 225, 229			80325	114
70004741	329	7012514 ...	205, 209, 213, 217, 221, 225, 229			80334555.....	25
70004742	329	7012941	21, 267			80633030.....	374, 384
70004743	329	7012953	21, 267			80673025 ..	143, 146, 176, 180, 184, 188
70004744	329	7012955	267, 269			8220029	477
70004745	329						
70004746	329						

PART NUMBER INDEX

8220164.....472, 509, 516	8310668..... 263	8405006 142, 146	8896941.....584
8305919.....301, 305, 309, 313, 317, 321	8310686..... 375, 385	8406110 455, 459	91143172.....375, 385
8310643.....259	83191040 . 139, 167, 169, 171, 173	85941016 . 142, 146, 176, 180, 184, 188, 375, 385	91164059.....57



3121739



An Oshkosh Corporation Company

Corporate Office
JLG Industries, Inc.
1 JLG Drive
McConnellsburg, PA 17233-9533 USA
☎ (717) 485-5161 (Corporate)
☎ (877) 554-5438 (Customer Support)
📠 (717) 485-6417

Visit our website for JLG Worldwide Locations.
www.jlg.com